



US00D769219S

(12) **United States Design Patent**
Ohmachi

(10) **Patent No.:** **US D769,219 S**

(45) **Date of Patent:** **** Oct. 18, 2016**

- (54) **SPEAKER FOR HEADPHONE**
- (71) Applicant: **YAMAHA CORPORATION**,
Hamamatsu-shi, Shizuoka (JP)
- (72) Inventor: **Takenori Ohmachi**, Hamamatsu (JP)
- (73) Assignee: **YAMAHA CORPORATION**,
Hamamatsu-shi (JP)
- (**) Term: **15 Years**
- (21) Appl. No.: **29/533,340**
- (22) Filed: **Jul. 16, 2015**
- (30) **Foreign Application Priority Data**

Jan. 20, 2015 (JP) 2015-000876

- (51) **LOC (10) Cl.** **14-01**
- (52) **U.S. Cl.**
USPC **D14/205**
- (58) **Field of Classification Search**
USPC D14/205, 204, 209, 209.1, 214, 216,
D14/172, 203.1, 203.2, 496, 155, 219;
D29/112; 2/209; D23/370, 380, 390,
D23/260, 317, 335, 364; 181/129, 130, 135,
181/143, 144, 147, 148, 150, 153, 159, 198,
181/199; 370/430, 431; 381/380, 381, 370,
381/371, 379, 345, 328, 355, 180, 356,
381/300-303, 306, 332, 333, 336, 361-364,
381/385-386; 455/90.3, 575.1
CPC H04R 25/00; H04R 1/10; H04R 1/1066;
H04R 1/02
See application file for complete search history.

- (56) **References Cited**
U.S. PATENT DOCUMENTS
1,080,953 A * 12/1913 Catucci H04R 7/14
181/164
D68,060 S * 8/1925 Pacent D14/249

- 2,118,993 A * 5/1938 Volf H04R 1/083
381/180
- 2,145,449 A * 1/1939 Lockhart H04R 17/02
181/126
- 2,490,138 A * 12/1949 Kettler H04R 1/083
137/535
- D185,505 S * 6/1959 Lowell D14/219
- 3,488,457 A * 1/1970 Lahti H04R 1/1008
381/371
- 3,730,181 A * 5/1973 Fling A61F 11/08
128/868
- D244,781 S * 6/1977 Saidel D14/219
- 4,037,064 A * 7/1977 Yasuda H04R 5/027
381/26
- D249,508 S * 9/1978 Coughlin D14/223
- D254,183 S * 2/1980 Doodson D14/205
- D255,069 S * 5/1980 Wierdo D6/390
- D262,019 S * 11/1981 Upshaw D14/205
- D272,904 S * 3/1984 Kawano D14/205
- D297,761 S * 9/1988 Shiraki D23/370

(Continued)

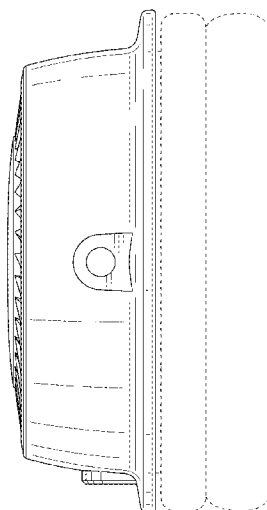
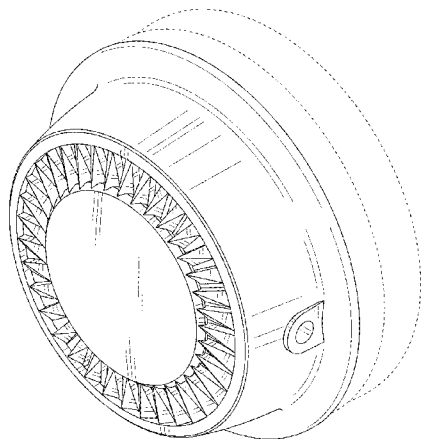
Primary Examiner — Paula Greene
(74) *Attorney, Agent, or Firm* — Sughrue Mion, PLLC

(57) **CLAIM**
The ornamental design for a speaker for headphone, as shown and described.

DESCRIPTION

FIG. 1 is a perspective view of a speaker for headphone showing my new design;
FIG. 2 is a front view thereof;
FIG. 3 is a rear view thereof;
FIG. 4 is a left side view thereof;
FIG. 5 is a right side view thereof;
FIG. 6 is a top plan view thereof;
FIG. 7 is a bottom view thereof; and,
FIG. 8 is a reference view of usage thereof.
The broken line showing of the speaker for headphone is included for the purpose of illustrating portions of the speaker for headphone and forms no part of the claimed design.

1 Claim, 7 Drawing Sheets



(56)

References Cited

U.S. PATENT DOCUMENTS

5,018,599 A * 5/1991 Dohi H04R 1/1008
 181/129
 D348,067 S * 6/1994 Lucey D14/223
 5,684,883 A * 11/1997 Chen H02G 11/02
 381/370
 D423,012 S * 4/2000 Yasutomi D14/205
 D431,550 S * 10/2000 Yoneda D14/205
 D435,249 S * 12/2000 Yasutomi D14/205
 D484,485 S * 12/2003 Matsuoka D14/205
 D484,868 S * 1/2004 Suzuki D14/205
 6,731,772 B1 * 5/2004 Byun H04R 1/12
 181/130
 D514,095 S * 1/2006 Wilson D14/223
 D600,675 S * 9/2009 Lee D14/205
 D604,266 S * 11/2009 Milde D14/205
 D635,958 S * 4/2011 Ando D14/205
 D647,081 S * 10/2011 Kwon D14/223
 D654,475 S * 2/2012 Chen D14/215

D657,776 S * 4/2012 Lee D14/205
 8,165,332 B2 * 4/2012 Giese H04R 25/456
 381/328
 8,189,847 B2 * 5/2012 Huang H04R 1/1075
 381/186
 D666,993 S * 9/2012 Kelley D14/205
 D671,914 S * 12/2012 Lee D14/205
 D684,559 S * 6/2013 Groset D14/205
 D689,843 S * 9/2013 Lee D14/205
 8,755,555 B2 * 6/2014 Dougherty H04R 1/1066
 381/370
 D723,509 S * 3/2015 Garland D14/205
 D725,636 S * 3/2015 McNamara D14/205
 D728,512 S * 5/2015 Nakagawa D14/205
 D736,174 S * 8/2015 Levine D14/205
 D746,792 S * 1/2016 Kim D14/205
 D750,041 S * 2/2016 Birger D14/205
 D752,017 S * 3/2016 Daniel D14/205
 2009/0279729 A1 * 11/2009 Huang H04R 1/24
 381/345

* cited by examiner

Fig. 1

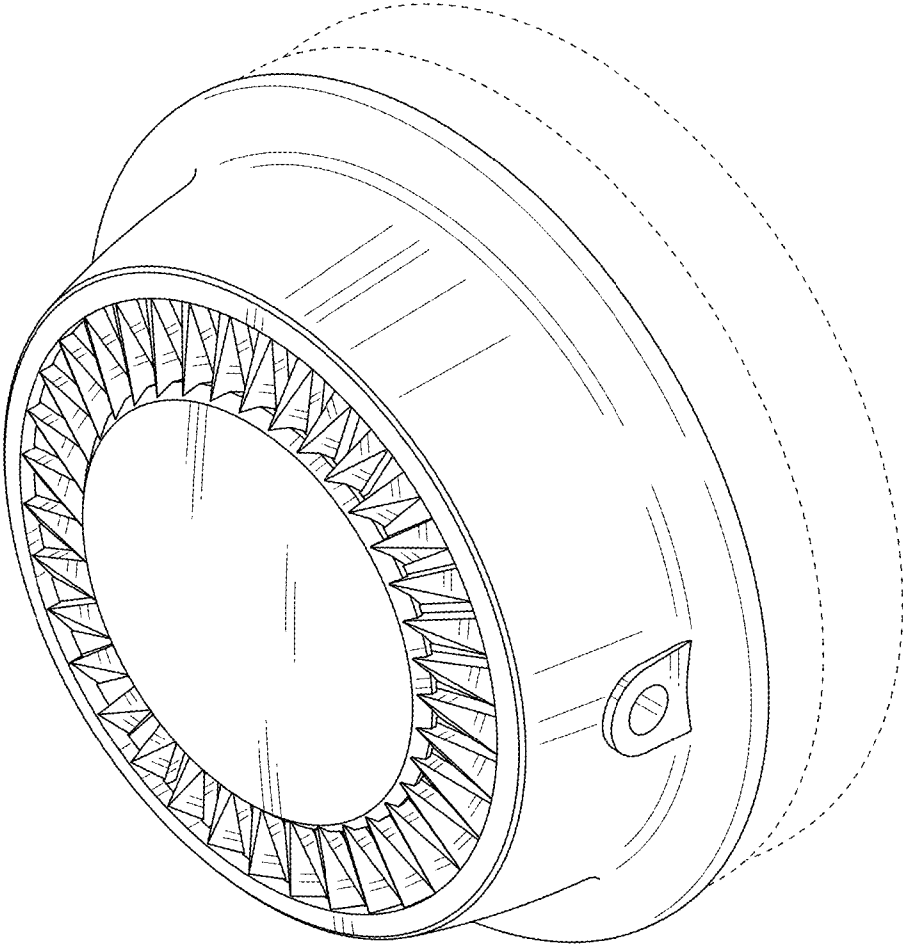


Fig. 2

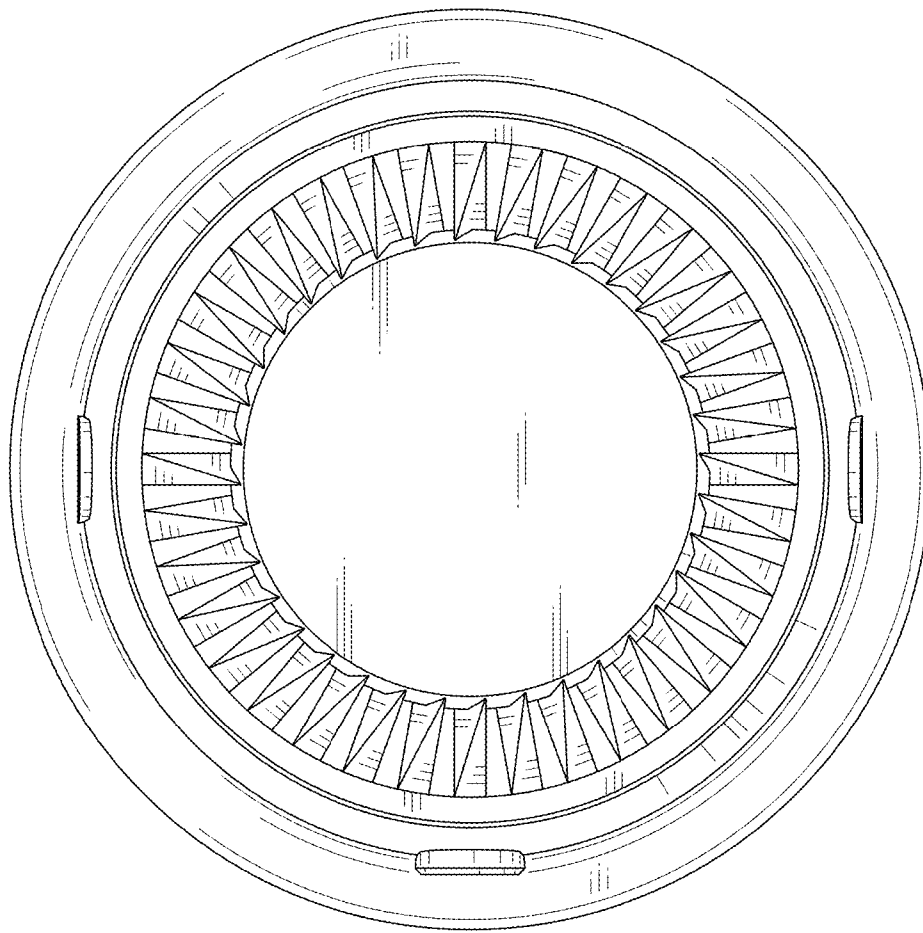


Fig. 3

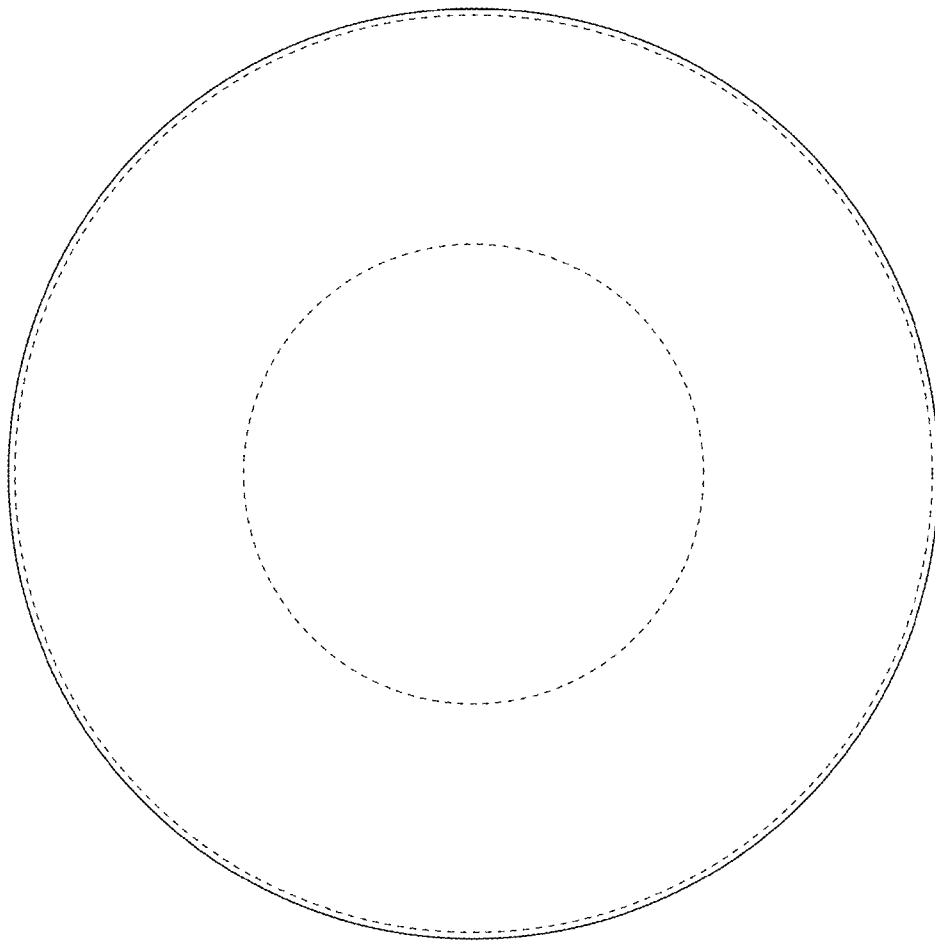


Fig. 4

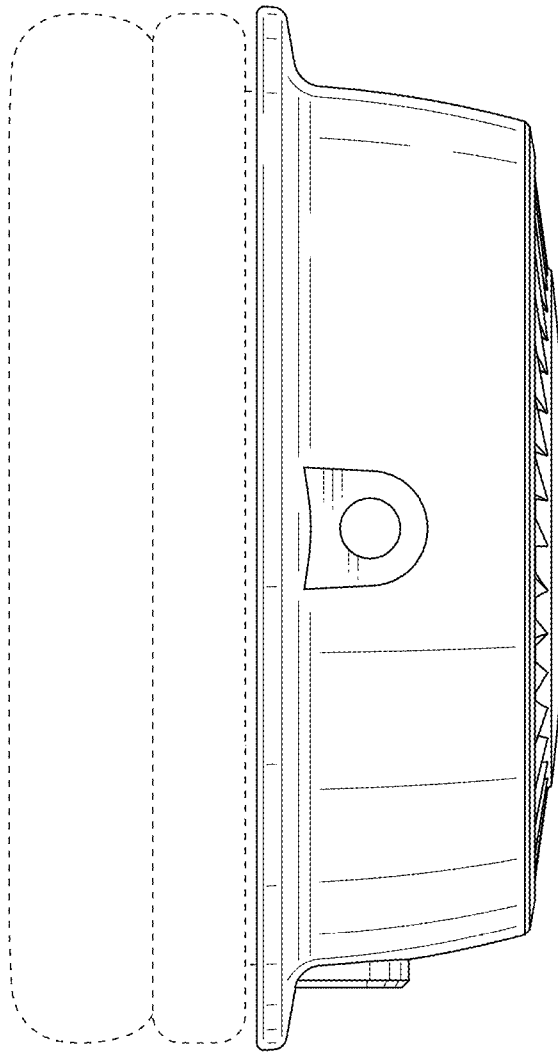


Fig. 5

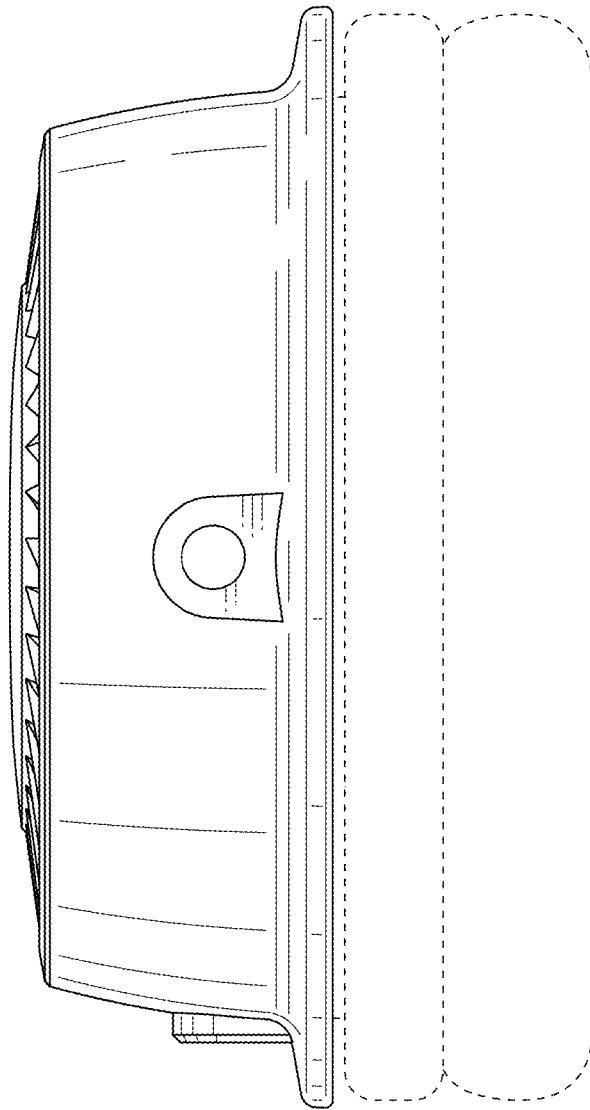


Fig. 6

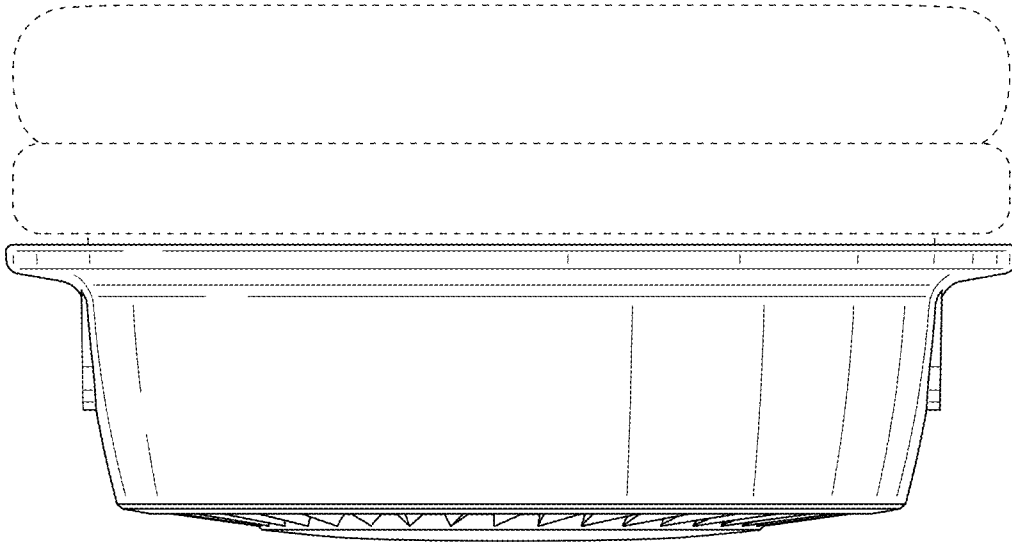


Fig. 7

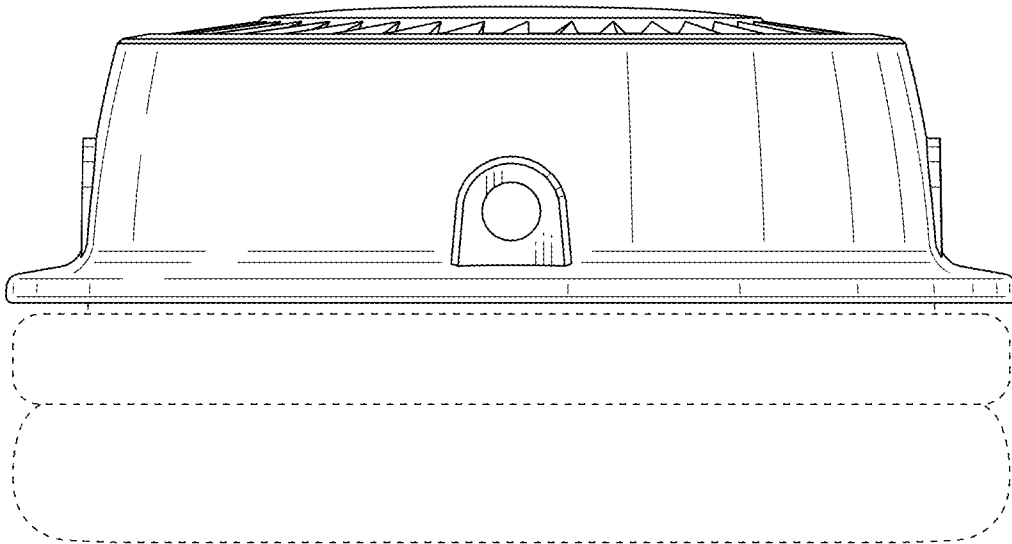


Fig. 8

