

(12) **UK Patent Application** (19) **GB** (11) **2496549** (13) **A**

(43) Date of Reproduction by UK Office **15.05.2013**

(21) Application No: **1302424.5**
(22) Date of Filing: **11.05.2011**
Date Lodged: **12.02.2013**
(30) Priority Data:
(31) **12778212** (32) **12.05.2010** (33) **US**
(31) **13095124** (32) **27.04.2011** (33) **US**

(86) International Application Data:
PCT/US2011/036107 En 11.05.2011
(87) International Publication Data:
WO2011/143336 En 17.11.2011

(51) INT CL:
A41C 3/08 (2006.01) **A41C 3/12** (2006.01)

(56) Documents Cited:
KR2019980059442U
KR200382325Y1
KR1020090012902A
KR200297748Y1
KR200442771Y1

(58) Field of Search:
INT CL **A41B, A41C, A44C**
Other: **Korean utility models and applications for utility models; Japanese utility models and applications for utility models; eKOMPASS (KIPO internal)**

(71) Applicant(s):
Michelle E De Sousa
16101 Parque Lane, Naples, Florida 34110,
United States of America
(72) Inventor(s):
Michelle E De Sousa
(74) Agent and/or Address for Service:
Novagraaf UK
12 Meridian Way, Meridian Business Park, Norwich,
NR7 0TA, United Kingdom

(54) Title of the Invention: **Garment and brassiere accessory**
Abstract Title: **Garment and brassiere accessory**

(57) A garment and brassiere accessory that is substantially triangular in shape having attachment straps extending outward from upper corners of the undergarment that may be looped around shoulder straps of a brassiere. In addition, a lower corner may be looped around a center portion of the brassiere. An upper band of preferably elastomeric material located along an upper edge of the undergarment keeps the undergarment securely against a woman's chest while being worn. The undergarment is preferably constructed from two layers of material, an outer layer and an inner layer so that the outer layer hides any wrinkles or indentations caused by the stress of the lower corner pulling on the inner layer while the undergarment is being worn. Additional features include extension straps that allow a user to adapt the undergarment to a larger chest and/or brassiere size or to wear the undergarment without a brassiere and detachable jewelry.

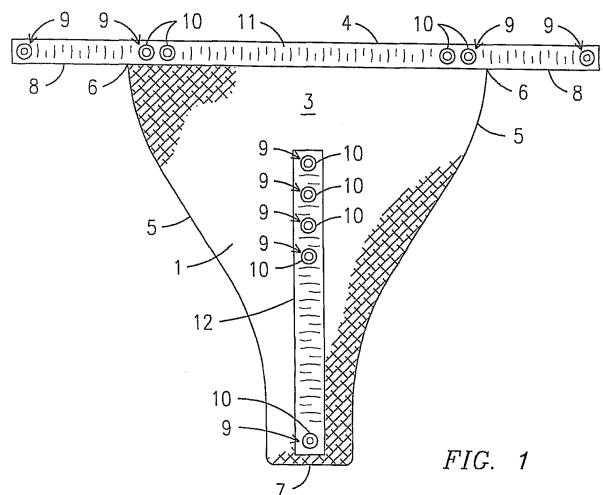


FIG. 1

GB 2496549 A