



US00D734273S

(12) **United States Design Patent**
Chompff

(10) **Patent No.:** **US D734,273 S**

(45) **Date of Patent:** **** Jul. 14, 2015**

- (54) **RACK ORGANIZER FOR CABLES**
- (71) Applicant: **Conrad Louis Chompff**, Concord, CA (US)
- (72) Inventor: **Conrad Louis Chompff**, Concord, CA (US)
- (**) Term: **14 Years**
- (21) Appl. No.: **29/442,674**
- (22) Filed: **Apr. 18, 2013**
- (51) **LOC (10) Cl.** **13-03**
- (52) **U.S. Cl.**
USPC **D13/155**
- (58) **Field of Classification Search**
USPC D8/354, 356; D13/101, 123, 133, D13/139.1-139.8, 154, 155, 156, 184, 199; 174/72 C, 72 R, 95, 72 A, 72 TR; 206/702; 248/48.1, 49, 65, 68.1; 211/26; 361/826
See application file for complete search history.

6,435,354	B1 *	8/2002	Gray et al.	211/26
6,452,095	B1 *	9/2002	Perrault	174/40 R
D468,699	S *	1/2003	Bjorklund et al.	D13/155
6,568,542	B1 *	5/2003	Chen	211/26
6,818,834	B1 *	11/2004	Lin	174/135
D560,474	S *	1/2008	Thru	D8/382
7,459,633	B2 *	12/2008	Burns	174/72 A
D626,817	S *	11/2010	Donowho et al.	D8/356
2001/0030266	A1 *	10/2001	MacDonald et al.	248/65
2004/0216911	A1 *	11/2004	Franz et al.	174/72 A
2009/0014614	A1 *	1/2009	Warmoth et al.	248/309.1

* cited by examiner

Primary Examiner — Derrick Holland
Assistant Examiner — Jennifer O King

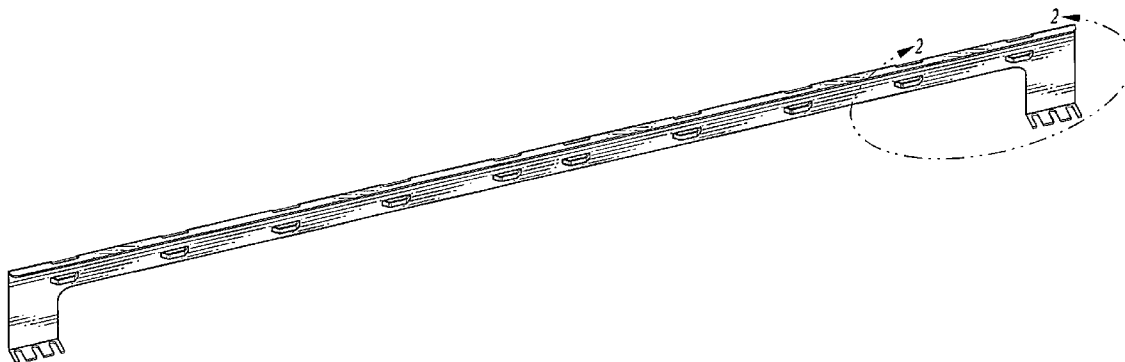
(57) **CLAIM**
The ornamental design for a rack organizer for cables, as shown and described.

DESCRIPTION

FIG. 1 is a perspective view of a rack organizer for cables;
FIG. 2 is an enlarged detail view taken along line 2-2 of FIG. 1.
FIG. 3 is a right side elevational view of a rack organizer for cables. The left side elevational view is a mirror image thereof.
FIG. 4 is a top plan view of a rack organizer for cables;
FIG. 5 is a front view thereof;
FIG. 6 is a rear view thereof;
FIG. 7 is a bottom view thereof; and,
FIG. 8 is a perspective view thereof, shown in environmental use.
The broken lines shown represent unclaimed subject matter and form no part of the claimed design.

1 Claim, 2 Drawing Sheets

- (56) **References Cited**
U.S. PATENT DOCUMENTS
- | | | | | |
|-----------|------|---------|------------------|----------|
| 2,285,632 | A * | 6/1942 | Urbain | 211/60.1 |
| 4,363,931 | A * | 12/1982 | Simons | 174/135 |
| 4,878,586 | A * | 11/1989 | Bancroft et al. | 211/106 |
| D330,505 | S * | 10/1992 | Doyle | D8/356 |
| D401,497 | S * | 11/1998 | Terrell | D8/356 |
| D409,896 | S * | 5/1999 | Kaplan | D8/356 |
| 5,902,961 | A * | 5/1999 | Viklund et al. | 174/100 |
| 6,170,784 | B1 * | 1/2001 | MacDonald et al. | 248/65 |
| 6,294,736 | B1 * | 9/2001 | Takeda et al. | 174/72 A |



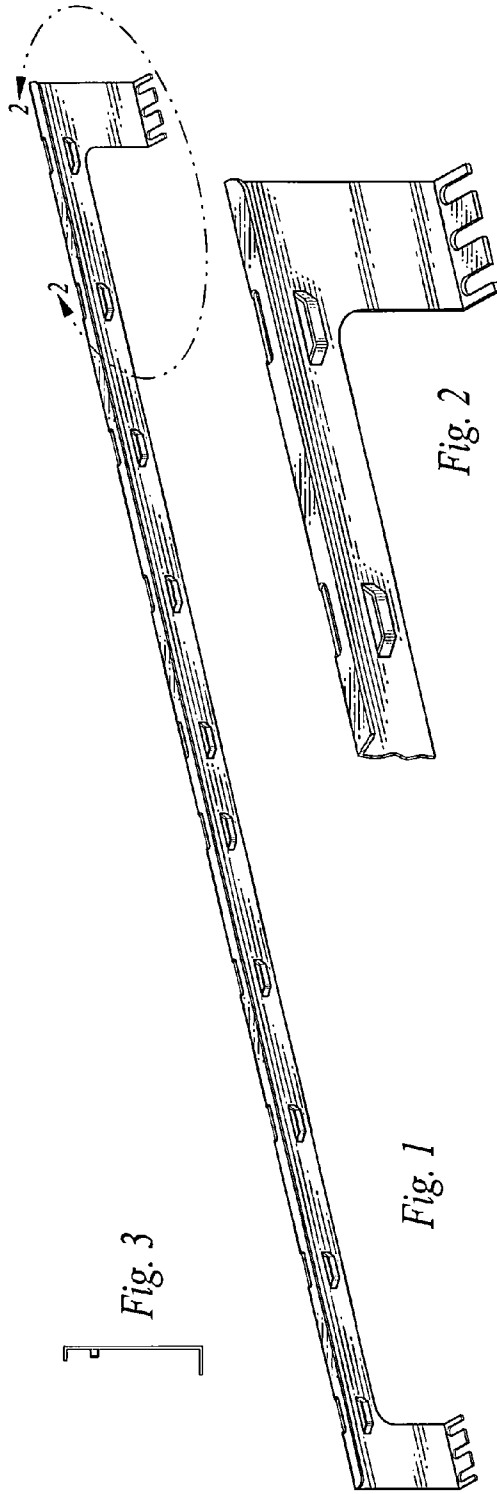


Fig. 3



Fig. 4



Fig. 5

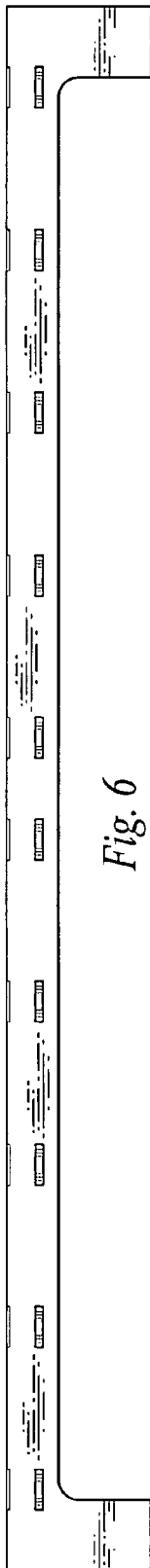


Fig. 6



Fig. 7

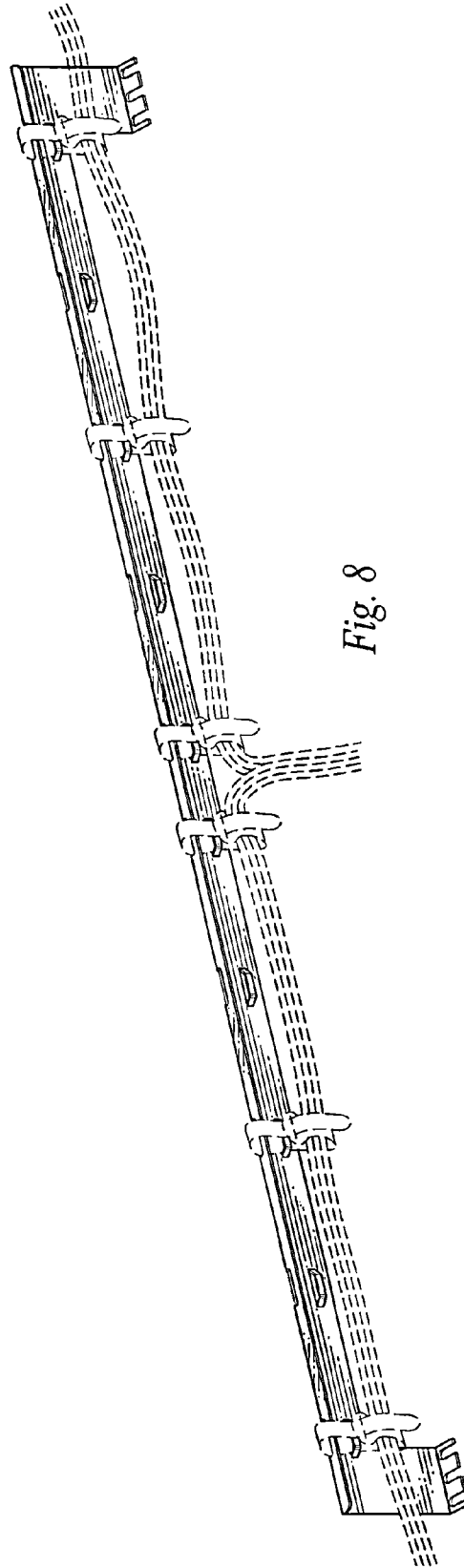


Fig. 8