



US00D453995S

(12) **United States Design Patent** (10) **Patent No.:** **US D453,995 S**
Slight (45) **Date of Patent:** **** Mar. 5, 2002**

- (54) **TRAY**
- (75) **Inventor:** **Peter T. Slight**, Newmarket (CA)
- (73) **Assignee:** **Traitech Industries Inc.**, North York (CA)
- (**) **Term:** **14 Years**
- (21) **Appl. No.:** **29/139,163**
- (22) **Filed:** **Mar. 21, 2001**

- (30) **Foreign Application Priority Data**
Mar. 12, 2001 (CA) 2001-0628
- (51) **LOC (7) Cl.** **03-01**
- (52) **U.S. Cl.** **D3/304**
- (58) **Field of Search** D3/304, 305, 307-31;
211/126.1, 126.14; 15/257.06, 260; 206/557,
558, 566; D6/513, 396, 420; D7/550.1,
553.1, 553.2, 553.3, 553.7, 554.1, 554.3,
555; D19/75

- (56) **References Cited**
U.S. PATENT DOCUMENTS
2,779,960 A * 2/1957 Ogren 220/570
D209,882 S * 1/1968 Anderson D6/420
D288,039 S * 2/1987 LeBlanc D19/75
4,669,609 A * 6/1987 Lugo 15/257.06
D314,913 S * 2/1991 Ferbrache D6/396
5,007,552 A * 4/1991 Sage et al. D7/555
D428,701 S * 8/2000 Lamo, Jr. D3/304

OTHER PUBLICATIONS
Canadian Distinguishing Guise Trade-mark Application No. 825,705 entitled "Step-Up Tray With Insert" filed on Oct. 10, 1996 by Traitech Industries Inc.

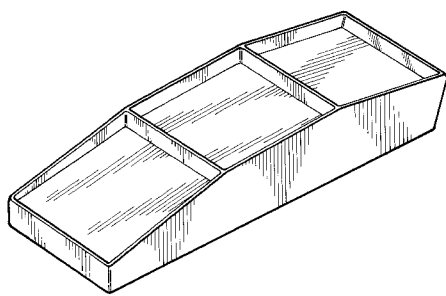
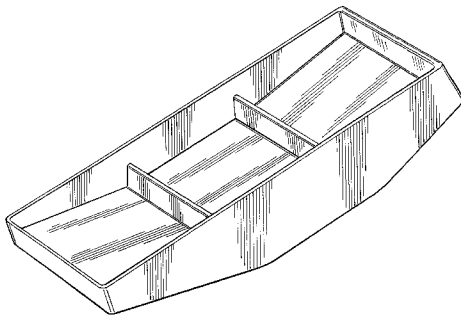
Canadian Distinguishing Guise Trade-mark Application No. 825,702 entitled "False Bottom Tray Design" filed on Oct. 10, 1996 by Traitech Industries Inc.
Canadian Distinguishing Guise Trade-mark Application No. 825,704 entitled "3-Compartment Reversible Tray" filed on Oct. 10, 1996 by Traitech Industries Inc.
Canadian Distinguishing Guise Trade-mark Application No. 825,703 entitled "Single Compartment Tray Design" filed on Oct. 10, 1996 by Traitech Industries Inc.

* cited by examiner
Primary Examiner—Louis S. Zarfaz
Assistant Examiner—Deanne Levy
(74) *Attorney, Agent, or Firm*—Dimock Stratton Clarizio; Mark B. Eisen

(57) **CLAIM**
The ornamental design for a tray, as shown and described.

DESCRIPTION
FIG. 1 is a perspective view of the tray,
FIG. 2 is a side elevational view of FIG. 1, the opposite side being a mirror image thereof,
FIG. 3 is a top plan view,
FIG. 4 is a front-top perspective view,
FIG. 5 is a front-bottom perspective view,
FIG. 6 is a bottom plan view, and,
FIG. 7 is a bottom perspective view.

1 Claim, 4 Drawing Sheets



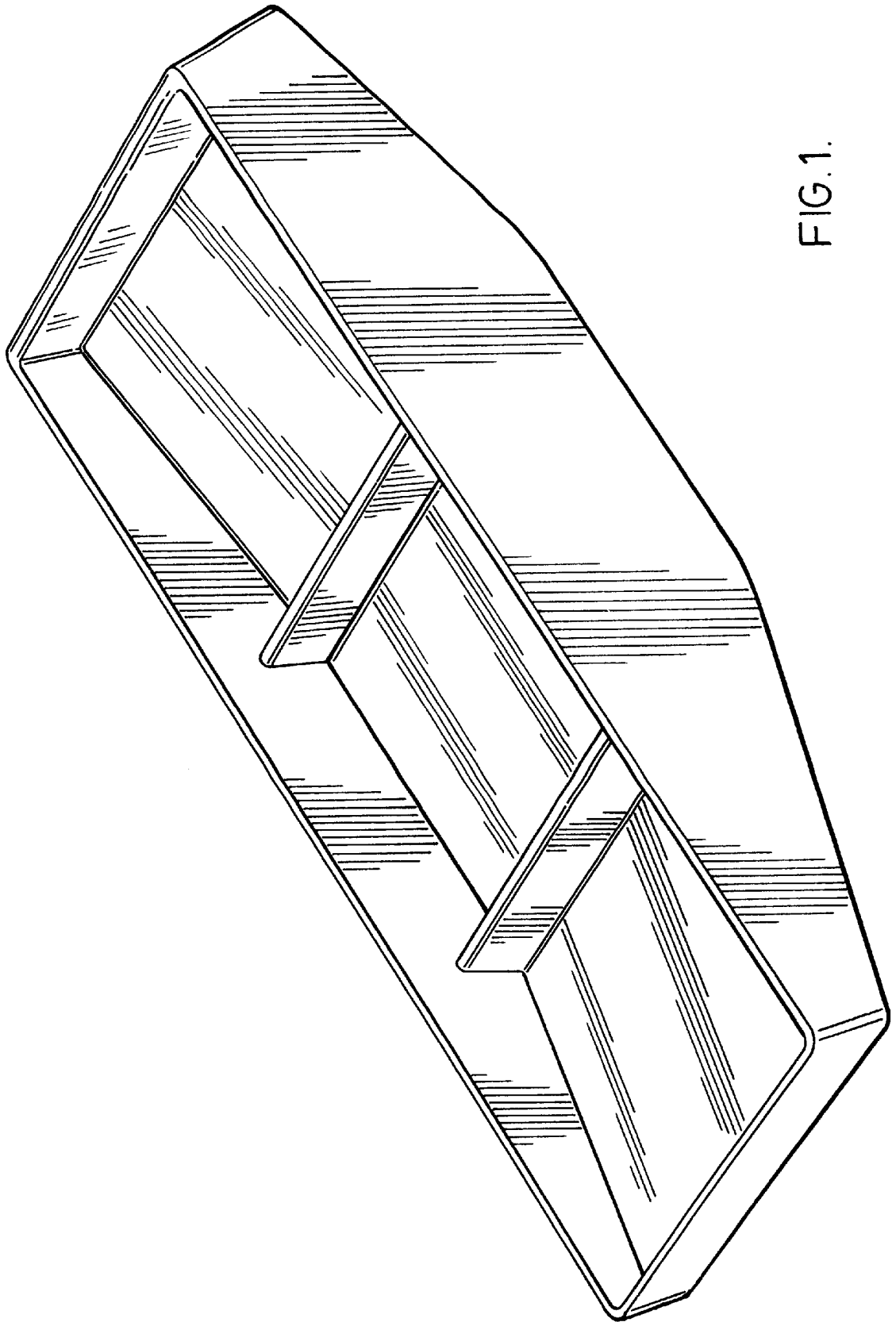
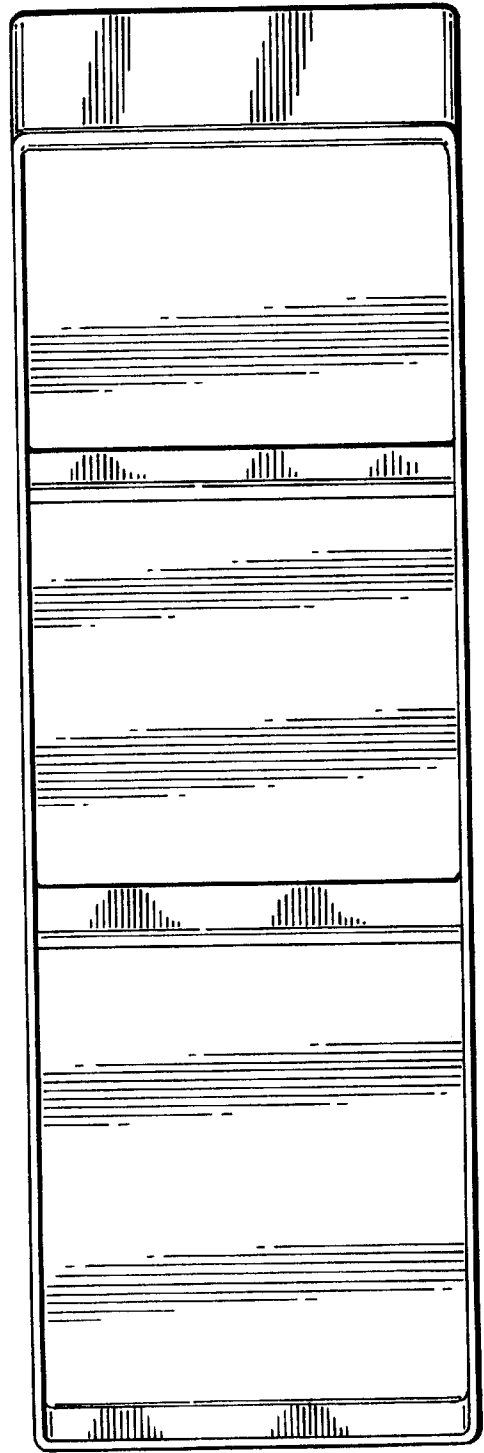
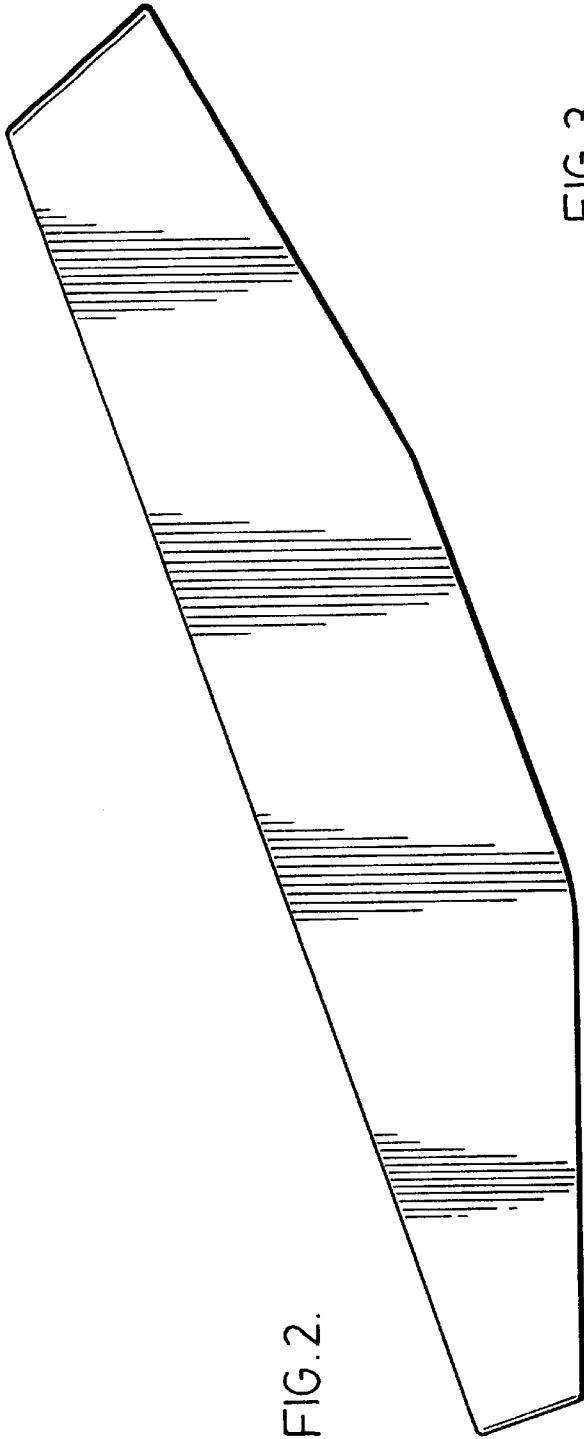


FIG. 1.



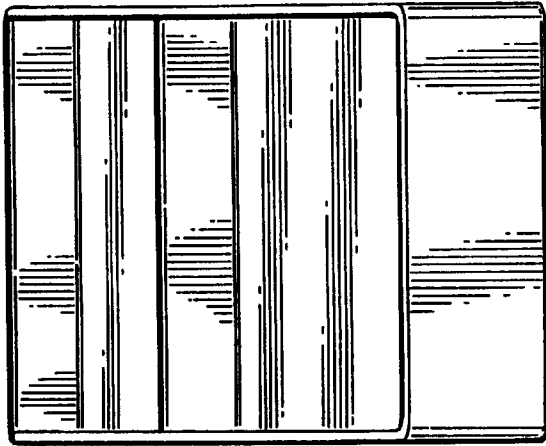


FIG. 5.

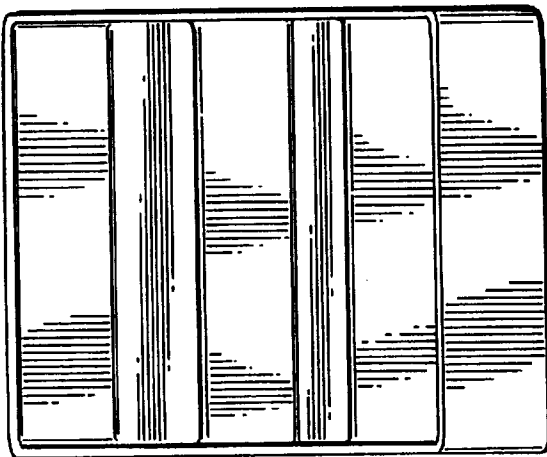


FIG. 4.

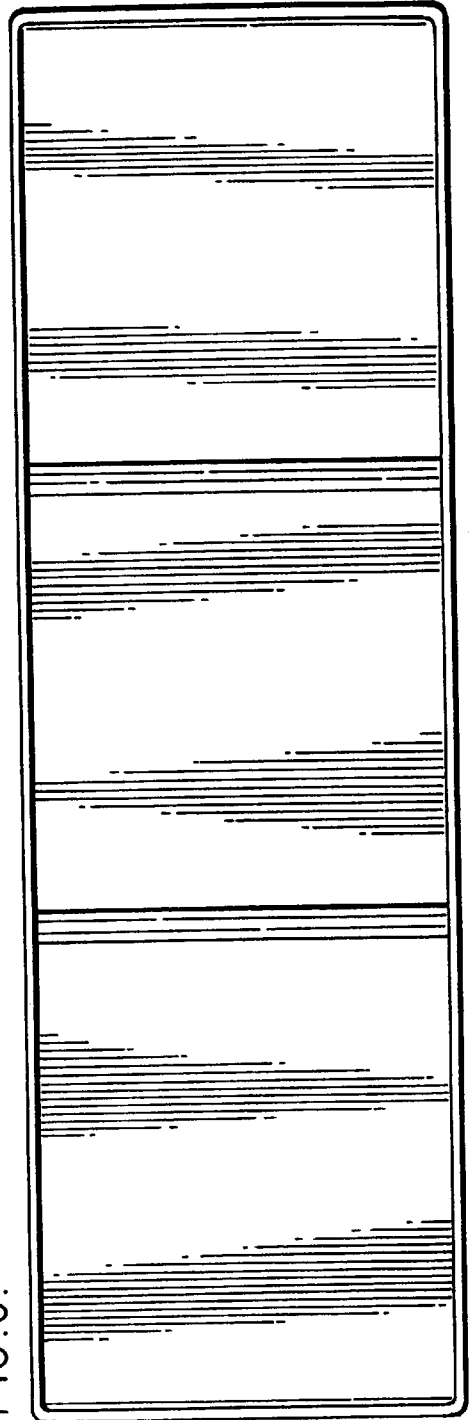


FIG. 6.

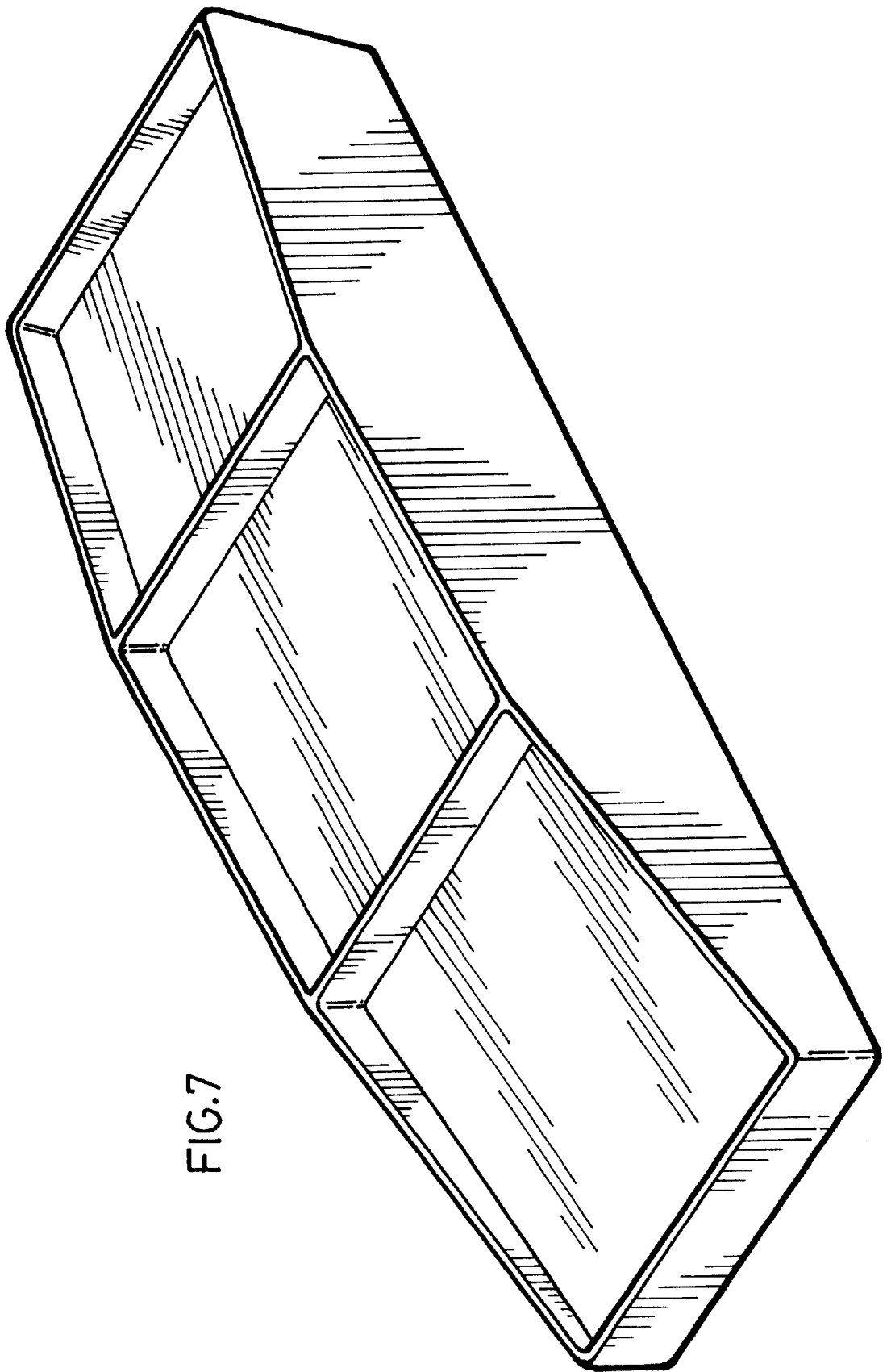


FIG. 7