



US00D804490S

(12) **United States Design Patent**
Wei

(10) **Patent No.:** **US D804,490 S**

(45) **Date of Patent:** **** Dec. 5, 2017**

(54) **FOLDABLE STAND**

(71) Applicant: **Luo Wei**, Guangdong (CN)

(72) Inventor: **Luo Wei**, Guangdong (CN)

(**) Term: **15 Years**

(21) Appl. No.: **29/587,900**

(22) Filed: **Dec. 16, 2016**

(51) **LOC (10) Cl.** **08-07**

(52) **U.S. Cl.**
USPC **D14/447**

(58) **Field of Classification Search**
USPC D14/447, 432, 434, 439, 440, 451, 452,
D14/457, 239; D8/363, 373, 380, 406.3,
D8/406.4, 406.5, 406.6; D12/415
CPC A47B 21/04; A47B 2097/006; A47B
2097/005; A47B 2023/049; A45C
2011/002; A45C 2011/003; F16M
2200/00; F16M 13/00
See application file for complete search history.

(56) **References Cited**

U.S. PATENT DOCUMENTS

4,618,119	A	10/1986	Powell	
D378,676	S	4/1997	Goodman et al.	
D513,008	S	12/2005	Takizawa et al.	
D577,361	S	9/2008	Beilstein et al.	
D650,784	S *	12/2011	Feldstein	D14/434
D670,703	S	11/2012	Hasbrook et al.	
D676,853	S	2/2013	Gengler	
D678,886	S	3/2013	Heckler	
D689,501	S	9/2013	Fong	
D690,305	S	9/2013	Wen	
D700,186	S	2/2014	Feng	
D703,214	S *	4/2014	Lye	D14/447
D705,785	S	5/2014	Wang	
D711,888	S	8/2014	Huebner	
8,800,937	B1	8/2014	Lee et al.	

D714,791	S	10/2014	Liu	
D715,802	S	10/2014	Connor	
D721,710	S	1/2015	Messing	
D728,581	S	5/2015	Feinberg et al.	
D732,543	S	6/2015	Westrup et al.	
D733,155	S *	6/2015	van Hooft	D14/447
D746,292	S *	12/2015	Heckler	14/447
D750,634	S	3/2016	Langhein	
9,360,892	B2 *	6/2016	Heckler	G06F 1/1633
9,377,810	B2	6/2016	Hishinuma	
D784,355	S *	4/2017	Hsu	14/447
D786,883	S *	5/2017	Chen	14/447
2004/0007649	A1	1/2004	Vettraino	
2005/0121594	A1	6/2005	Kuo	

(Continued)

OTHER PUBLICATIONS

US Trademark Serial No. 86198474; Word Mark—Huion.
(Continued)

Primary Examiner — Angela J Lee
(74) *Attorney, Agent, or Firm* — Raj Abhyankar, P.C.

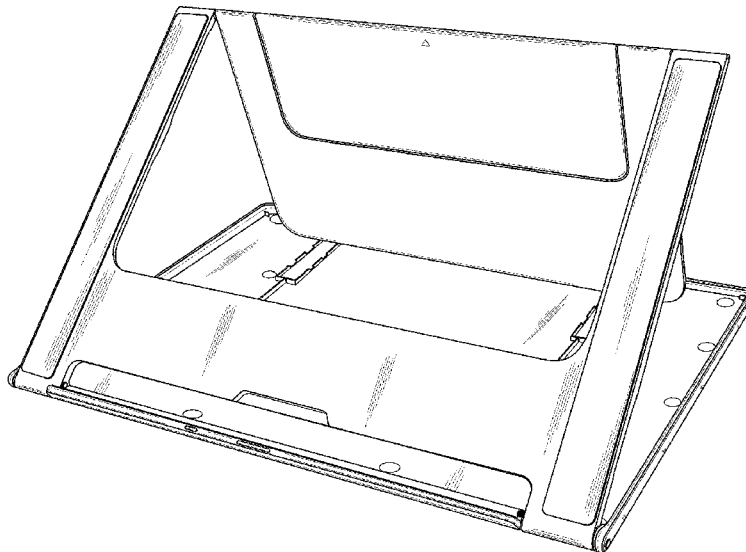
(57) **CLAIM**

The ornamental design for a foldable stand, as shown and described.

DESCRIPTION

FIG. 1 is a front right perspective view for a foldable stand, showing my new design in an unfolded state;
FIG. 2 is a rear right perspective view of FIG. 1 thereof;
FIG. 3 is a front top perspective view of the foldable stand of FIG. 1 in a folded state thereof;
FIG. 4 is a rear top perspective view of FIG. 3 thereof;
FIG. 5 is a left side top perspective view of FIG. 3 thereof;
FIG. 6 is a right side top perspective view of FIG. 3 thereof;
FIG. 7 is a top plan view of FIG. 3 thereof; and,
FIG. 8 is a bottom plan view of FIG. 3 thereof.

1 Claim, 8 Drawing Sheets



(56)

References Cited

U.S. PATENT DOCUMENTS

2008/0192424 A1 8/2008 Lee
 2012/0224316 A1* 9/2012 Shulenberg et al. G06F 1/1628
 361/679.09
 2012/0235008 A1 9/2012 Schwartz
 2014/0291174 A1 10/2014 Chung
 2015/0108316 A1 4/2015 Hou et al.

OTHER PUBLICATIONS

US Trademark Serial No. 87081191; Word Mark—Gaomon.
 US Trademark Serial No. 86557131; Word Mark—Kenting.
 US Trademark Serial No. 86502803; Word Mark—Litup.
 US Trademark Serial No. 87007346; Word Mark—Inspiroy.
 TriTilt adjustable laptop/tablet stand by Allsop, Found online [Feb. 22, 2017] <https://goo.gl/XJ1soz>.
 Folding cell phone and tablet stand by Elecder, Found online [Feb. 22, 2017] https://images-na.ssl-images-amazon.com/images/I/61csTpvS7RL._SX522_.jpg.
 Portable folding adjustable stand holder by Ofspower, Found online [Feb. 22, 2017] <https://images-na.ssl-images-amazon.com/images/I/41owNOucbtL.jpg>.

Folding Scaffold Stand Dock Holder by Alloet, Found online [Feb. 22, 2017] <http://thumbs.ebaystatic.com/images/g/mmsAAOSw5cNYbwSA/s-l225.jpg>.
 Universal Mini Kickstand by Imangoo, Found online [Feb. 22, 2017] https://images-na.ssl-images-amazon.com/images/I/61kw1eoQX1L._SX425_.jpg.
 Universal Adjustable Folding Portable Mini Plastic Smart Mobile Cell Phone iPhone Holder Stand by Honsky, Found online [Feb. 22, 2017] https://images-na.ssl-images-amazon.com/images/I/81LStm05BoL._SL1500_.jpg.
 Mesh Collection Mobile Device and Tablet Stand by Rolodex, Found online [Feb. 22, 2017] <https://goo.gl/ukhl2Z>.
 Universal Foldable Adjustable Stand Holder Cradle by Estone, Found online [Feb. 22, 2017] <http://cdn3.volusion.com/qprvt.whvxt/v/vspfiles/photos/1422083951101-3.jpg?1429808471>.
 Google Pixel XL Compatible Green Compact Portable Fold-up Stand Holder by SCDWireless, Found online [Feb. 22, 2017] <https://images-na.ssl-images-amazon.com/images/I/41t1-EJ7CkL.jpg>.
 Adjustable Multi-Angle Portable Cell Phone Stand by ETable, Found online [Feb. 22, 2017] <https://images-na.ssl-images-amazon.com/images/I/41DB1ma%2B7IL.jpg>.

* cited by examiner

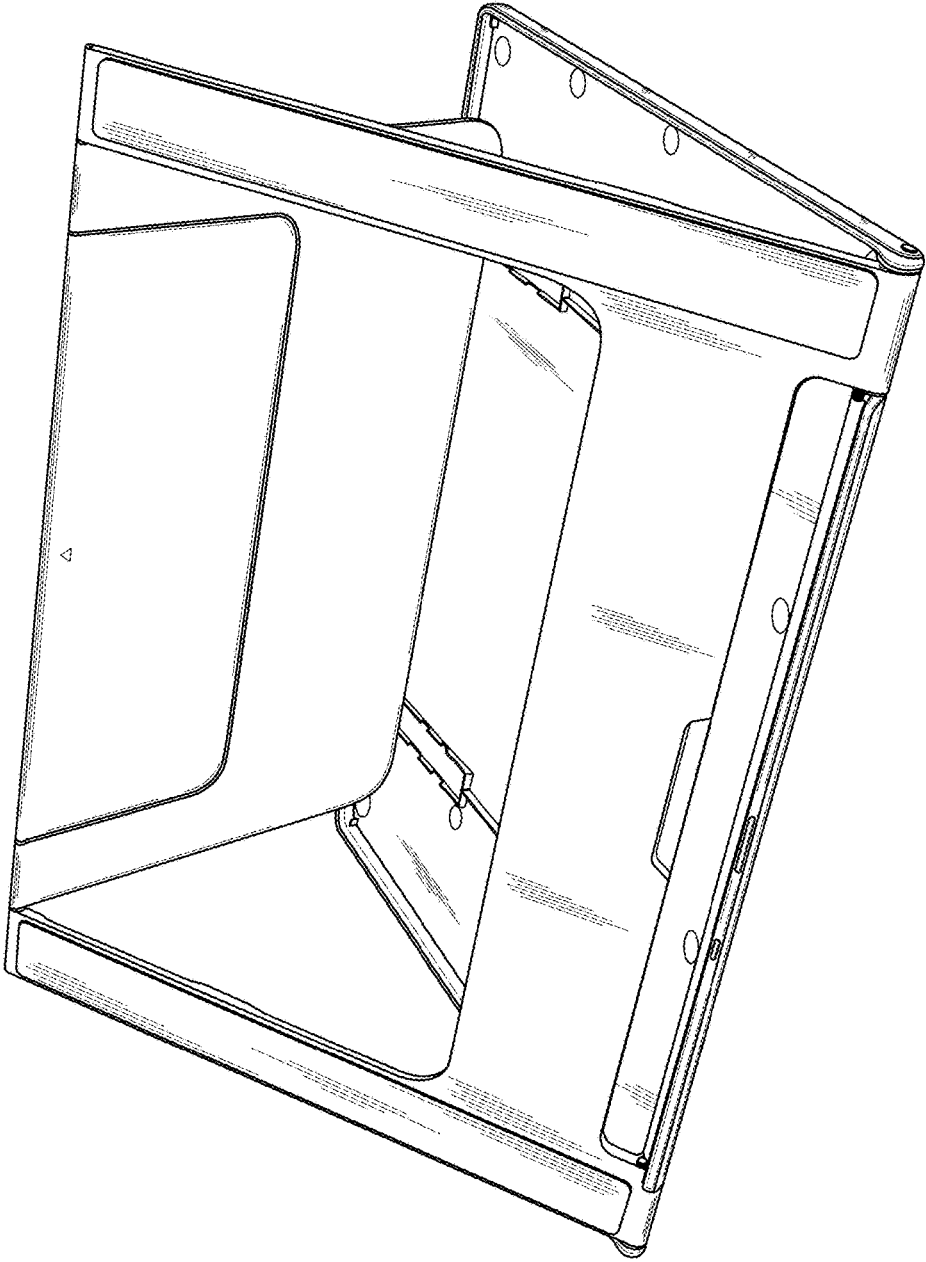


FIG. 1

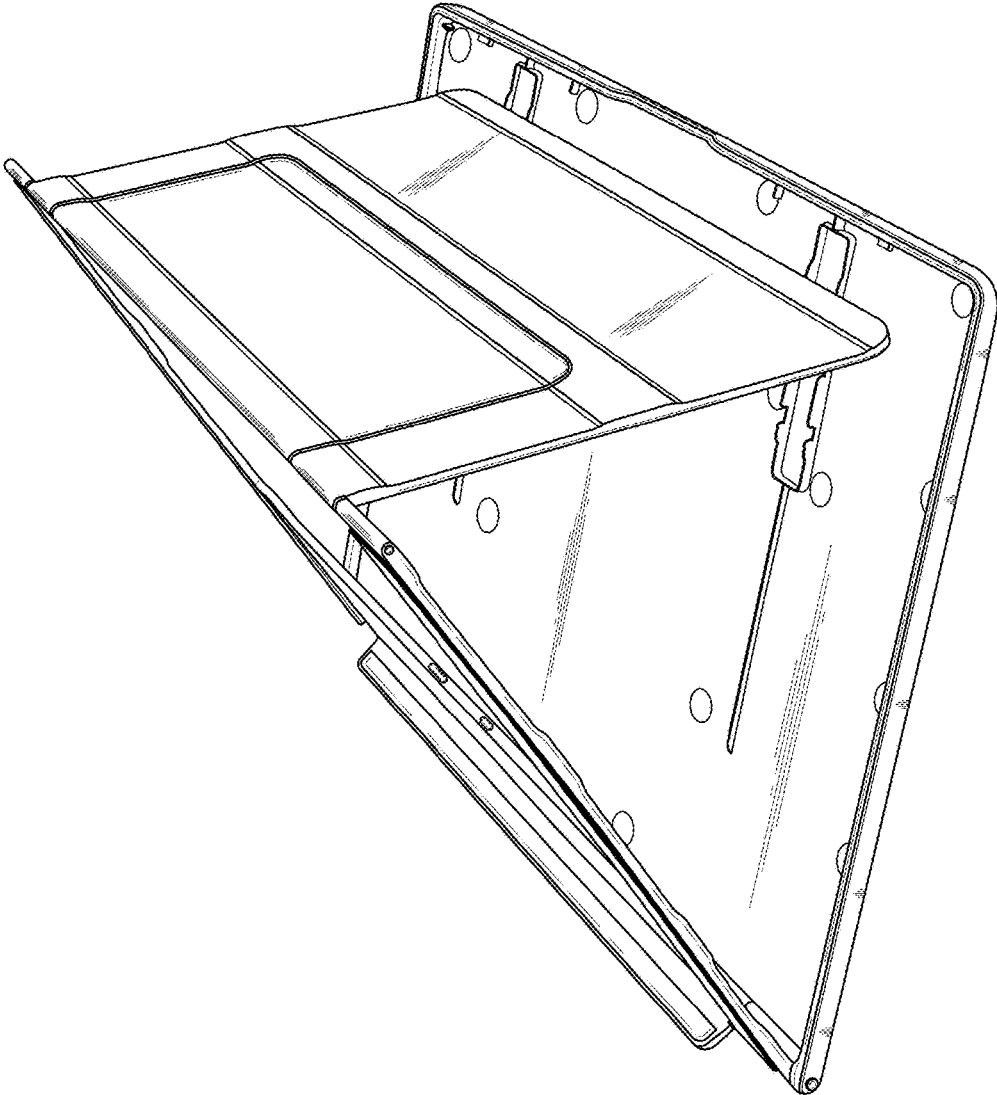


FIG. 2

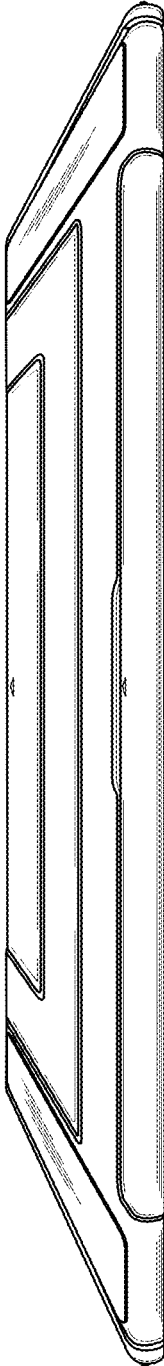


FIG. 3

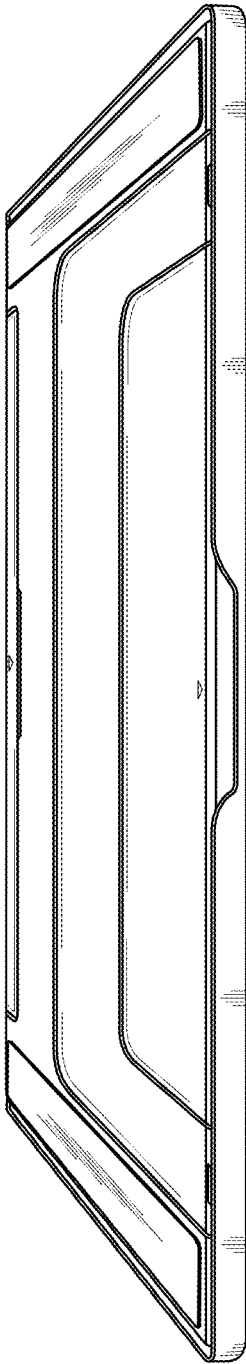


FIG. 4

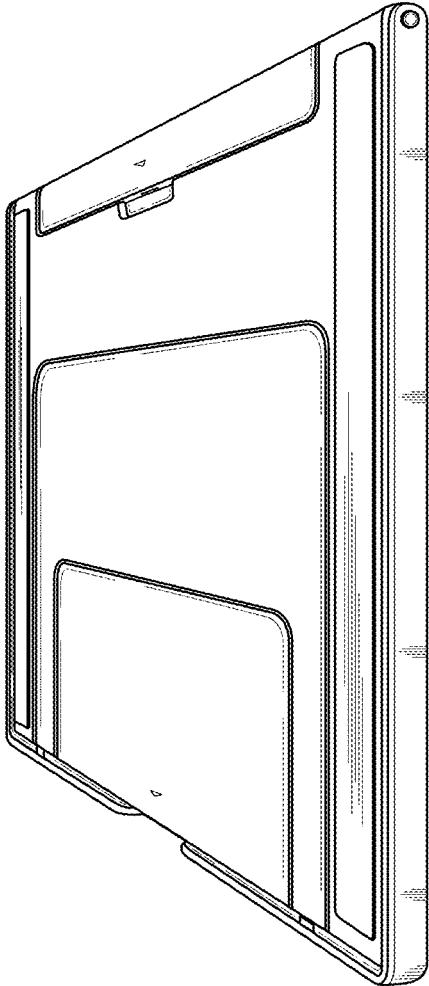


FIG. 5

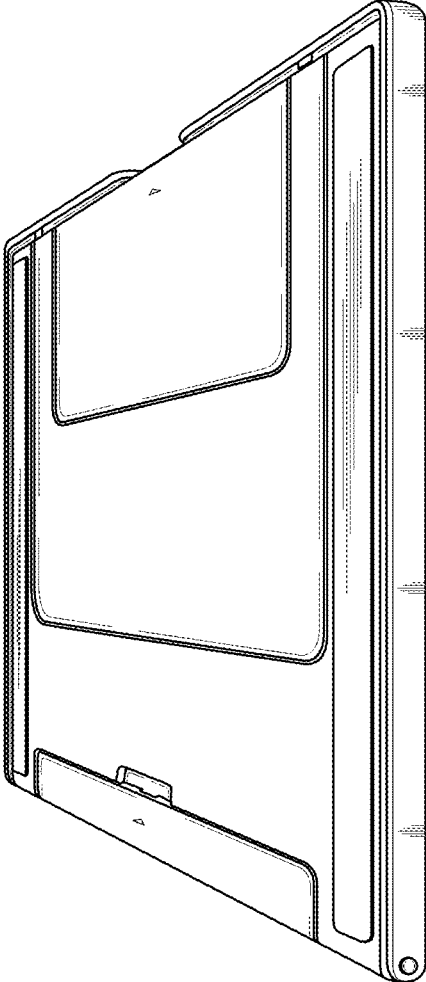


FIG. 6

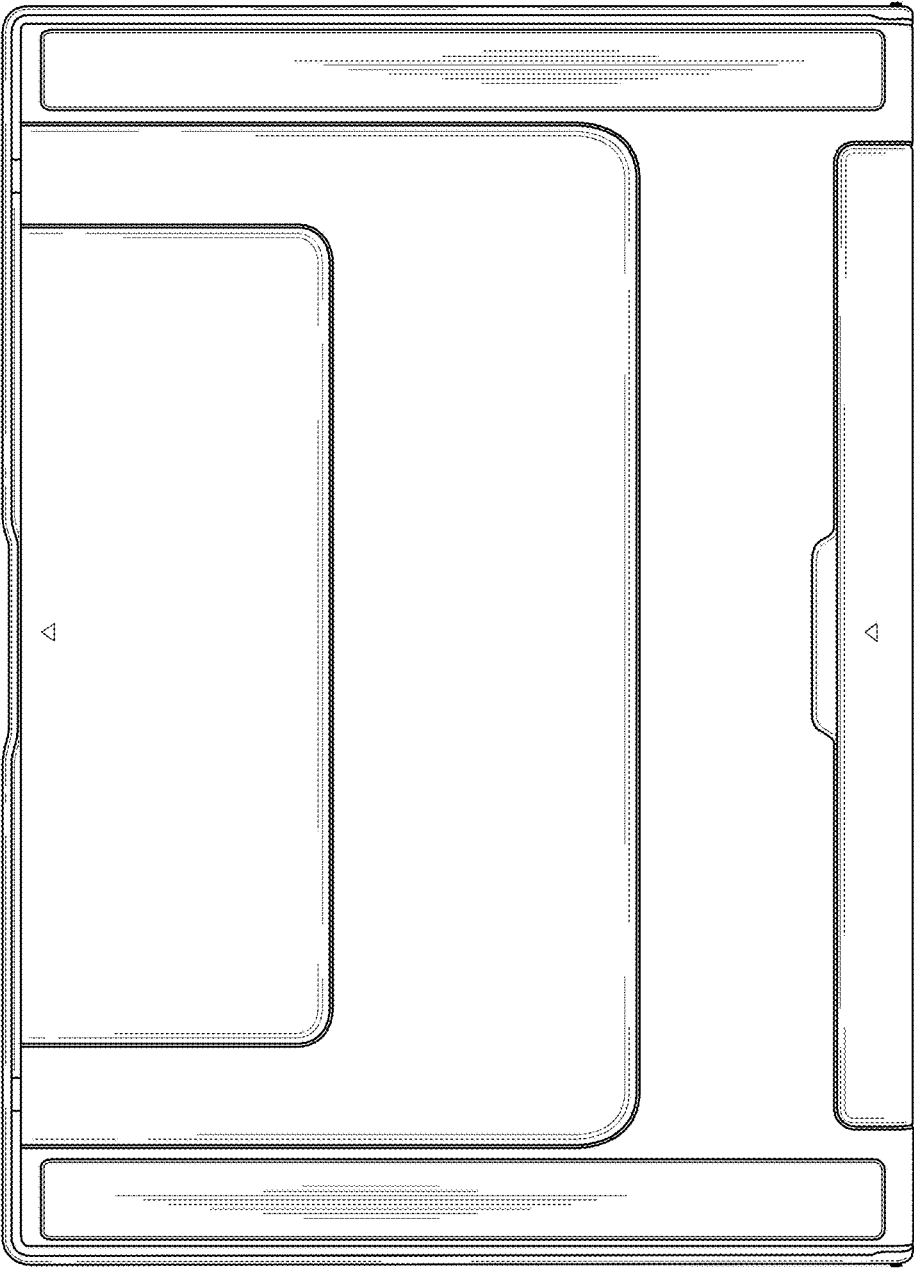


FIG. 7

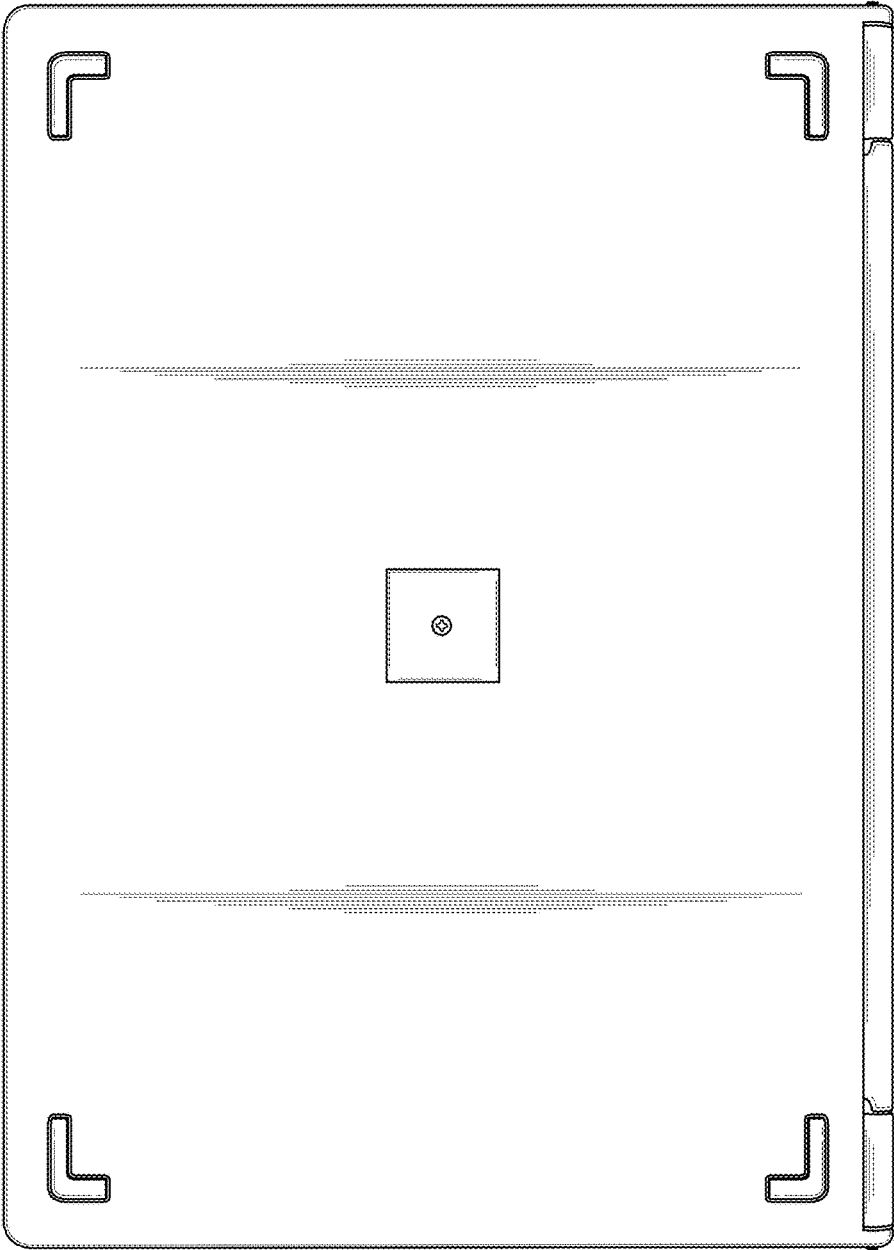


FIG. 8