

(19) World Intellectual Property Organization  
International Bureau



(43) International Publication Date  
2 December 2010 (02.12.2010)

(10) International Publication Number  
**WO 2010/138847 A3**

(51) International Patent Classification:  
*E05B 73/00* (2006.01) *G06F 1/16* (2006.01)

sachusetts 01970 (US). **LIANG, Michael (Xiao Lei)** [CA/CA]; 404-5683 Hampton Place, Vancouver, British Columbia V6T 2H3 (CA).

(21) International Application Number:  
PCT/US2010/036628

(74) Agents: **PYONIN, Adam, J.** et al.; Townsend and Townsend and Crew LLP, Two Embarcadero Center, 8th Floor, San Francisco, California 94111-3834 (US).

(22) International Filing Date:  
28 May 2010 (28.05.2010)

(25) Filing Language: English

(81) Designated States (unless otherwise indicated, for every kind of national protection available): AE, AG, AL, AM, AO, AT, AU, AZ, BA, BB, BG, BH, BR, BW, BY, BZ, CA, CH, CL, CN, CO, CR, CU, CZ, DE, DK, DM, DO, DZ, EC, EE, EG, ES, FI, GB, GD, GE, GH, GM, GT, HN, HR, HU, ID, IL, IN, IS, JP, KE, KG, KM, KN, KP, KR, KZ, LA, LC, LK, LR, LS, LT, LU, LY, MA, MD, ME, MG, MK, MN, MW, MX, MY, MZ, NA, NG, NI, NO, NZ, OM, PE, PG, PH, PL, PT, RO, RS, RU, SC, SD, SE, SG, SK, SL, SM, ST, SV, SY, TH, TJ, TM, TN, TR, TT, TZ, UA, UG, US, UZ, VC, VN, ZA, ZM, ZW.

(26) Publication Language: English

(30) Priority Data:  
61/182,591 29 May 2009 (29.05.2009) US

(71) Applicant (for all designated States except US): **ACCO BRANDS USA LLC** [US/US]; 300 Tower Parkway, Lincolnshire, Illinois 60069 (US).

(72) Inventors; and

(75) Inventors/Applicants (for US only): **MAHAFFEY, Robert** [ZA/CA]; 990 West 58th Avenue, Vancouver, British Columbia V6P 6Y3 (CA). **HUNG, John** [CA/CA]; 66 West 19th Avenue, Vancouver, British Columbia V5Y 2B2 (CA). **TAN, John** [CA/CA]; 205-668 West 6th Avenue, Vancouver, British Columbia V5Z 1A3 (CA). **ALI, Will** [CA/CA]; 180 W 17th Avenue, Vancouver, British Columbia V5Y 1Z6 (CA). **WHITE, Ryan** [US/US]; 36 Leach Street, Salem, Mas-

(84) Designated States (unless otherwise indicated, for every kind of regional protection available): ARIPO (BW, GH, GM, KE, LR, LS, MW, MZ, NA, SD, SL, SZ, TZ, UG, ZM, ZW), Eurasian (AM, AZ, BY, KG, KZ, MD, RU, TJ, TM), European (AL, AT, BE, BG, CH, CY, CZ, DE, DK, EE, ES, FI, FR, GB, GR, HR, HU, IE, IS, IT, LT, LU, LV, MC, MK, MT, NL, NO, PL, PT, RO, SE, SI, SK, SM, TR), OAPI (BF, BJ, CF, CG, CI, CM, GA, GN, GQ, GW, ML, MR, NE, SN, TD, TG).

[Continued on next page]

(54) Title: SECURITY APPARATUS INCLUDING ATTACHMENT DEVICE

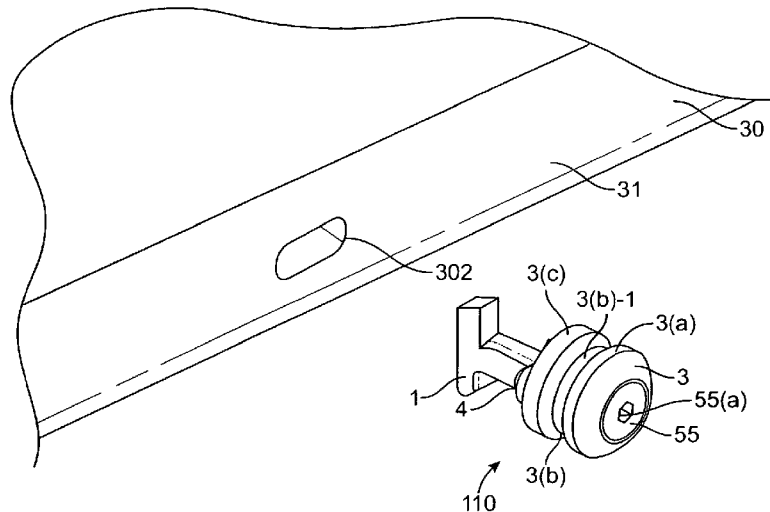
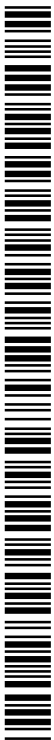


FIG. 1

(57) Abstract: A security apparatus is disclosed. The security apparatus comprises an attachment device comprising a base, and a locking head configured to secure to the base. The locking head can have a securing element and a locking component, associated with a housing. The locking head may be in a secured configuration upon a single motion or movement of the locking head.



WO 2010/138847 A3

**Published:**

**(88) Date of publication of the international search report:**

3 March 2011

- *with international search report (Art. 21(3))*
- *before the expiration of the time limit for amending the claims and to be republished in the event of receipt of amendments (Rule 48.2(h))*

**A. CLASSIFICATION OF SUBJECT MATTER*****E05B 73/00(2006.01)i, G06F 1/16(2006.01)i***

According to International Patent Classification (IPC) or to both national classification and IPC

**B. FIELDS SEARCHED**

Minimum documentation searched (classification system followed by classification symbols)

E05B 73/00; E05B 65/00; F16B 41/00; E05B 15/02

Documentation searched other than minimum documentation to the extent that such documents are included in the fields searched

Korean utility models and applications for utility models

Japanese utility models and applications for utility models

Electronic data base consulted during the international search (name of data base and, where practicable, search terms used)

eKOMPASS(KIPO internal) &amp; Keywords: lock, laptop, attachment, housing and gate structure

**C. DOCUMENTS CONSIDERED TO BE RELEVANT**

Category*	Citation of document, with indication, where appropriate, of the relevant passages	Relevant to claim No.
X Y	US 6360405 B1 (MCDAID, C.; RISTUCCIA, J.) 26 March 2002 See abstract; figures 1-10; column 3 line 17-column 7 line 40; claims.	1,3,5,6,8-15,17 ,19-20,21,23-25 22,26-33,49
Y	US 5447044 A1 (CHENG, S.) 05 September 1995 See abstract; figures 1-3; column 2 line 4- line 62; claims.	22,26-33,46-48
X Y	US 6317936 B1 (MCDAID, C.; RISTUCCIA, J.) 20 November 2001 See abstract; figures 1-8; column 2 line 66-column 6 line 2; claims.	41,43,45 46-48,49
A	US 6212918 B1 (KRAVTIN, B.H.) 10 April 2001 See abstract; figures 1-53b; column 11 line 36-column 22 line 18; claims.	1-52
A	JP 2003-314100 A (SUGATSUNE IND. CO. LTD.) 06 November 2003 See abstract; figures 1-7; paragraphs 7-17; claims.	1-52

 Further documents are listed in the continuation of Box C. See patent family annex.

\* Special categories of cited documents:

"A" document defining the general state of the art which is not considered to be of particular relevance

"E" earlier application or patent but published on or after the international filing date

"L" document which may throw doubts on priority claim(s) or which is cited to establish the publication date of citation or other special reason (as specified)

"O" document referring to an oral disclosure, use, exhibition or other means

"P" document published prior to the international filing date but later than the priority date claimed

"T" later document published after the international filing date or priority date and not in conflict with the application but cited to understand the principle or theory underlying the invention

"X" document of particular relevance; the claimed invention cannot be considered novel or cannot be considered to involve an inventive step when the document is taken alone

"Y" document of particular relevance; the claimed invention cannot be considered to involve an inventive step when the document is combined with one or more other such documents, such combination being obvious to a person skilled in the art

"&amp;" document member of the same patent family

Date of the actual completion of the international search

11 JANUARY 2011 (11.01.2011)

Date of mailing of the international search report

**14 JANUARY 2011 (14.01.2011)**

Name and mailing address of the ISA/KR

Korean Intellectual Property Office  
Government Complex-Daejeon, 139 Seonsa-ro, Seo-  
gu, Daejeon 302-701, Republic of Korea

Facsimile No. 82-42-472-7140

Authorized officer

OH, KUN KU

Telephone No. 82-42-481-5448



**Box No. II Observations where certain claims were found unsearchable (Continuation of item 2 of first sheet)**

This international search report has not been established in respect of certain claims under Article 17(2)(a) for the following reasons:

1.  Claims Nos.:  
because they relate to subject matter not required to be searched by this Authority, namely:
  
2.  Claims Nos.:  
because they relate to parts of the international application that do not comply with the prescribed requirements to such an extent that no meaningful international search can be carried out, specifically:
  
3.  Claims Nos.:  
because they are dependent claims and are not drafted in accordance with the second and third sentences of Rule 6.4(a).

**Box No. III Observations where unity of invention is lacking (Continuation of item 3 of first sheet)**

This International Searching Authority found multiple inventions in this international application, as follows:

See Supplemental Box

1.  As all required additional search fees were timely paid by the applicant, this international search report covers all searchable claims.
2.  As all searchable claims could be searched without effort justifying an additional fee, this Authority did not invite payment of any additional fee.
3.  As only some of the required additional search fees were timely paid by the applicant, this international search report covers only those claims for which fees were paid, specifically claims Nos.:
  
4.  No required additional search fees were timely paid by the applicant. Consequently, this international search report is restricted to the invention first mentioned in the claims; it is covered by claims Nos.:

**Remark on Protest**

- The additional search fees were accompanied by the applicant's protest and, where applicable, the payment of a protest fee.
- The additional search fees were accompanied by the applicant's protest but the applicable protest fee was not paid within the time limit specified in the invitation.
- No protest accompanied the payment of additional search fees.

Continuation of: Box No. III

Group I, claims 1-19, drawn to a security apparatus comprising an attachment device having a base and a head comprising a housing, a gate structure, a biasing element, and a locking component inside of the housing; and a security system and a method thereof.

Group II, claims 20, drawn to an attachment device comprising a cap element and an engagement member, wherein the rod extends through the central axial hole in the base and is coupled to the engagement member.

Group III, claims 21-25, drawn to an attachment device comprising a base having a maximum lateral dimension of about 8 mm; and an engagement member attached to the base, the engagement member configured to engage with a portable article; and a method thereof.

Group IV, claims 26-33, drawn to an attachment device for use in securing a portable article, the attachment device comprising: base comprising a cylinder, the base having a recess to receive a securing element; and an engagement member attached to the base, the engagement member comprising a threaded post; and a method thereof.

Group V, claims 34-40, drawn to a method comprising: obtaining a portable article, and an attachment device attached to the portable article, wherein the attachment device comprises a base extending from the portable article; and attaching a head to the attachment device by a single motion, wherein the head comprises a housing and a locking component inside of the housing, and further wherein the locking component is in a locked configuration after the head is attached.

Group VI, claims 41-49, drawn to a security system comprising: a portable article having a housing and a chassis disposed within the housing; and an attachment device attached to the portable article, wherein the attachment device is attached to the chassis through a hole in the housing; and a method thereof.

Group VII, claims 50-52, drawn to a locking head for use with an attachment device, comprising: a housing; a securing element associated with the housing; and a locking component associated with the housing, wherein the locking head is capable of securing to the attachment device upon a single movement of the locking head, using the securing element.

**INTERNATIONAL SEARCH REPORT**

Information on patent family members

International application No.

**PCT/US2010/036628**

Patent document cited in search report	Publication date	Patent family member(s)	Publication date
US 6360405 B1	26.03.2002	EP 1203166 A1	08.05.2002
		EP 1203166 A4	28.08.2002
		EP 1203166 B1	02.11.2005
		US 6081974 A1	04.07.2000
		US 6317936 B1	20.11.2001
		WO 00-79142 A1	28.12.2000
US 5447044 A1	05.09.1995	US 5447045 A1	05.09.1995
US 6317936 B1	20.11.2001	DE 60023709 D1	08.12.2005
		DE 60023709 T2	20.07.2006
		EP 1203166 A1	08.05.2002
		EP 1203166 A4	28.08.2002
		EP 1203166 B1	02.11.2005
		US 6081974 A1	04.07.2000
		US 6360405 B1	26.03.2002
		WO 00-79142 A1	28.12.2000
US 6212918 B1	10.04.2001	None	
JP 2003-314100 A	06.11.2003	JP 4040350 B2	30.01.2008