



US00D886625S

(12) **United States Design Patent** (10) **Patent No.:** **US D886,625 S**
Van Skaik et al. (45) **Date of Patent:** **** Jun. 9, 2020**

(54) **BOTTLE**

FOREIGN PATENT DOCUMENTS

(71) Applicant: **The Procter & Gamble Company**,
Cincinnati, OH (US)

KR 20090118716 A 11/2009

(72) Inventors: **Elliott Michael Van Skaik**, Liberty
Township, OH (US); **Leigh Mahoney**,
Liberty Township, OH (US); **William
Poindexter**, Fairfield, OH (US); **Luis
Peraza**, New Albany, OH (US)

OTHER PUBLICATIONS

U.S. Appl. No. 29/720,389, filed Jan. 13, 2020, Van Skaik et al.
U.S. Appl. No. 29/720,354, filed Jan. 13, 2020, Van Skaik et al.
U.S. Appl. No. 29/720,396, filed Jan. 13, 2020, Van Skaik et al.
U.S. Appl. No. 62/960,170, filed Jan. 13, 2020, Van Skaik et al.

(73) Assignee: **The Procter & Gamble Company**,
Cincinnati, OH (US)

* cited by examiner

(**) Term: **15 Years**

Primary Examiner — Dana Meyrow

(21) Appl. No.: **29/720,397**

(74) *Attorney, Agent, or Firm* — Amanda Herman
Berghauer

(22) Filed: **Jan. 13, 2020**

(57) **CLAIM**

The ornamental design for a bottle, as shown and described.

(51) **LOC (12) Cl.** **09-01**

DESCRIPTION

(52) **U.S. Cl.**

USPC **D9/574**; D9/571

(58) **Field of Classification Search**

USPC D9/434, 516, 530, 542, 549, 558,

D9/562-563, 566, 571, 574, 715, 719

CPC B65D 1/00; B65D 1/02; B65D 1/0223;

B65D 23/00; B65D 51/32; B65D

2501/00; B65D 2501/0009; B65D

2501/0081

See application file for complete search history.

FIG. 1 is a perspective view of a first embodiment of a
bottle;

FIG. 2 is a front view thereof;

FIG. 3 is a right side view thereof;

FIG. 4 is a rear view thereof;

FIG. 5 is a left side view thereof;

FIG. 6 is a top view thereof;

FIG. 7 is a bottom view thereof;

FIG. 8 is a perspective view of a second embodiment of a
bottle;

FIG. 9 is a front view thereof;

FIG. 10 is a right side view thereof;

FIG. 11 is a rear view thereof;

FIG. 12 is a left side view thereof;

FIG. 13 is a top view thereof; and,

FIG. 14 is a bottom view thereof.

The broken lines in the drawings illustrate the portions of the
bottle that form no part of the claimed design.

(56) **References Cited**

U.S. PATENT DOCUMENTS

D249,866 S * 10/1978 Felix D9/571

D325,699 S * 4/1992 Segati D9/529

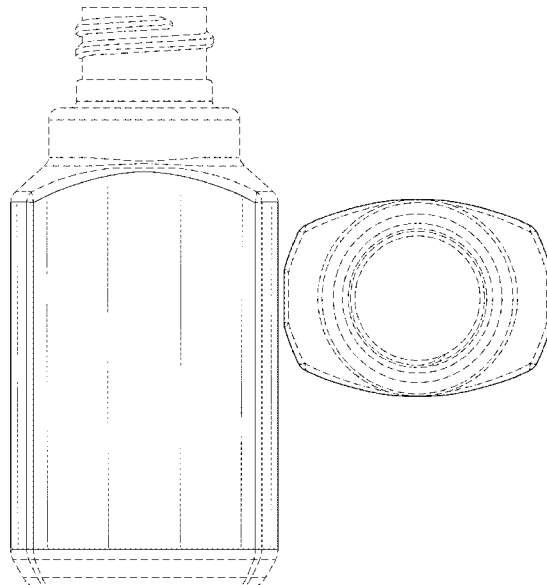
D330,677 S * 11/1992 Thornock D9/558

D338,159 S * 8/1993 Densky D9/453

D591,159 S * 4/2009 Pagliaro D9/529

D770,902 S * 11/2016 Vaughn-Batiz D9/560

1 Claim, 6 Drawing Sheets



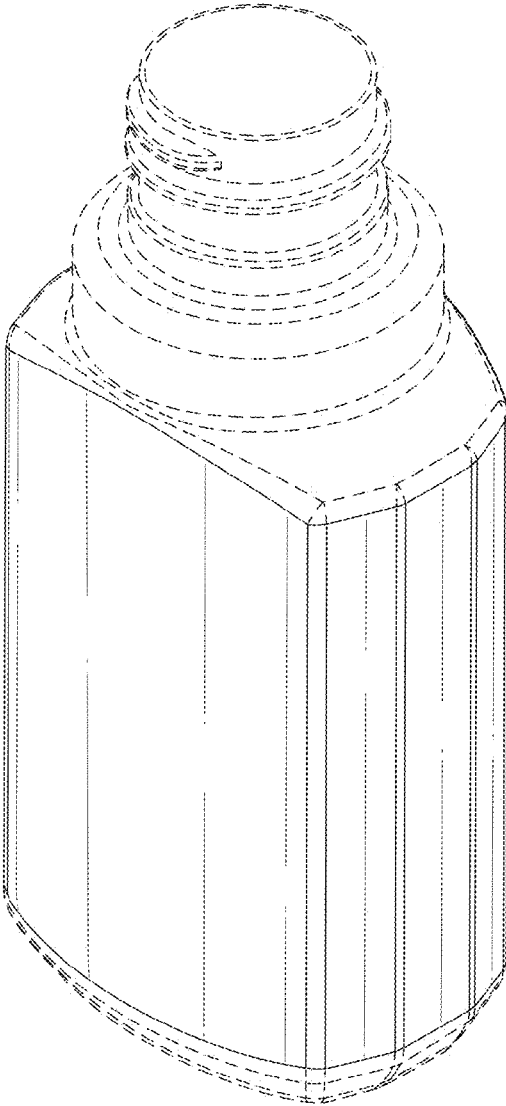


FIG. 1

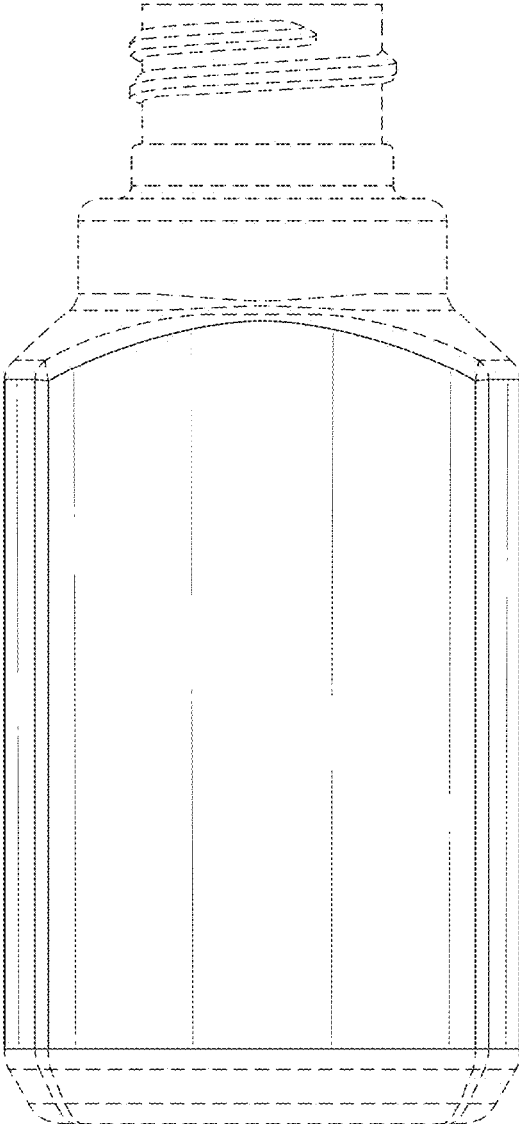


FIG. 2

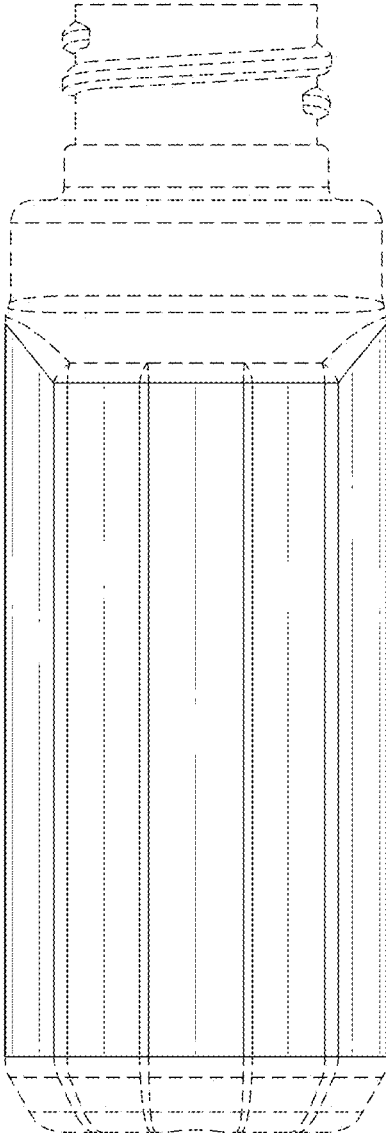


FIG. 3

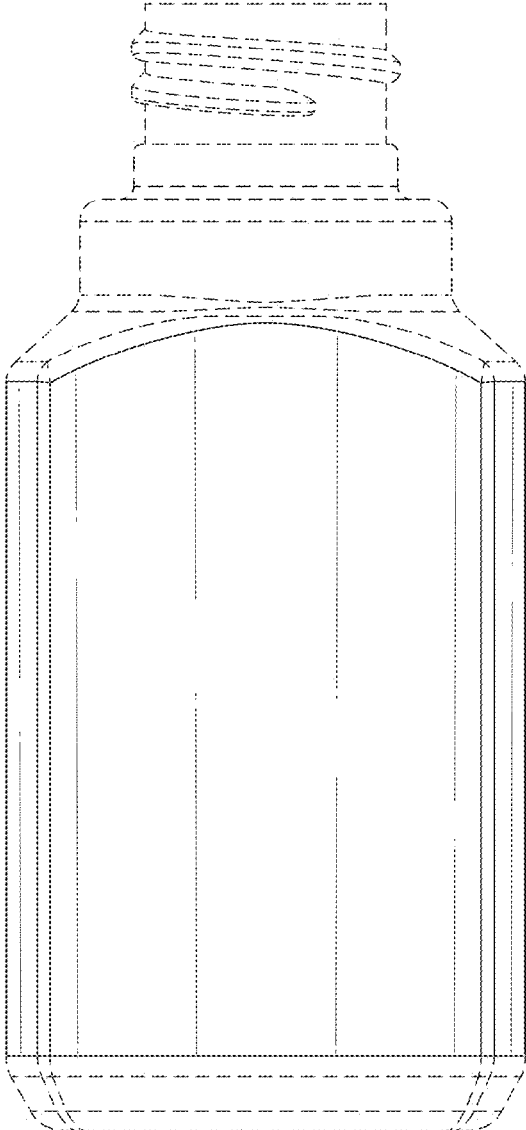


FIG. 4

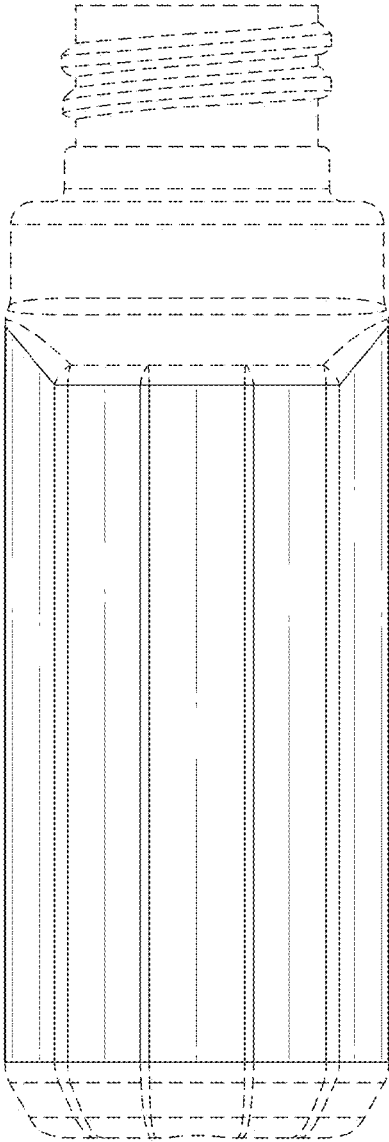


FIG. 5

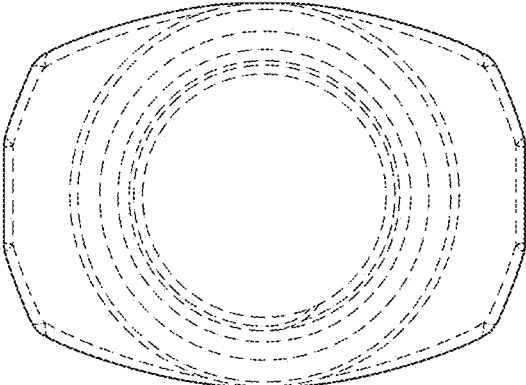


FIG. 6

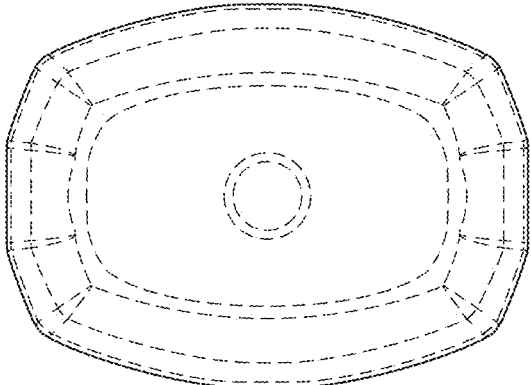


FIG. 7

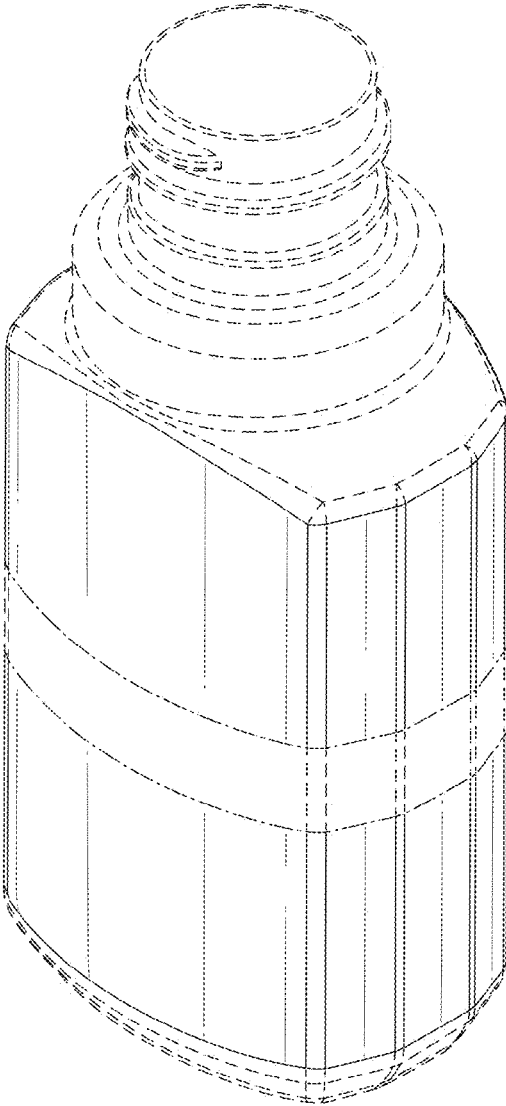


FIG. 8

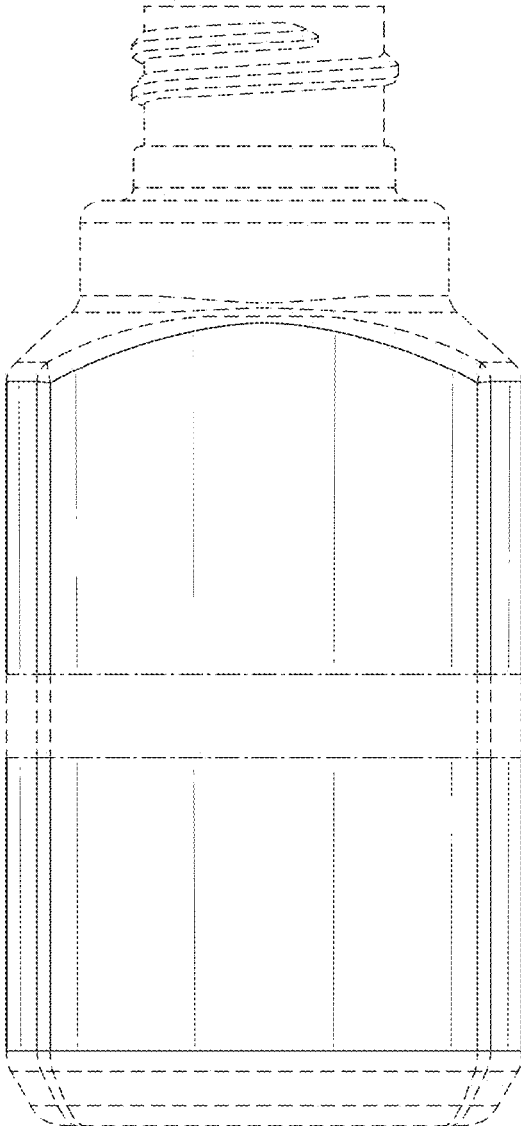


FIG. 9

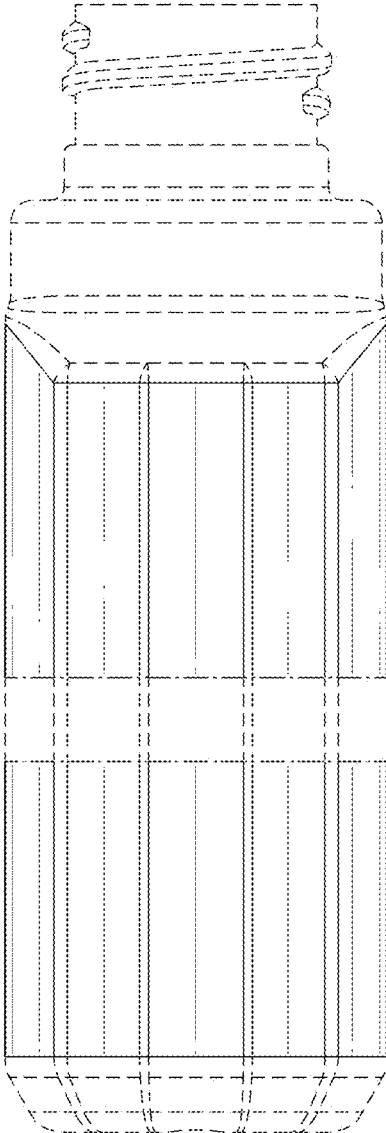


FIG. 10

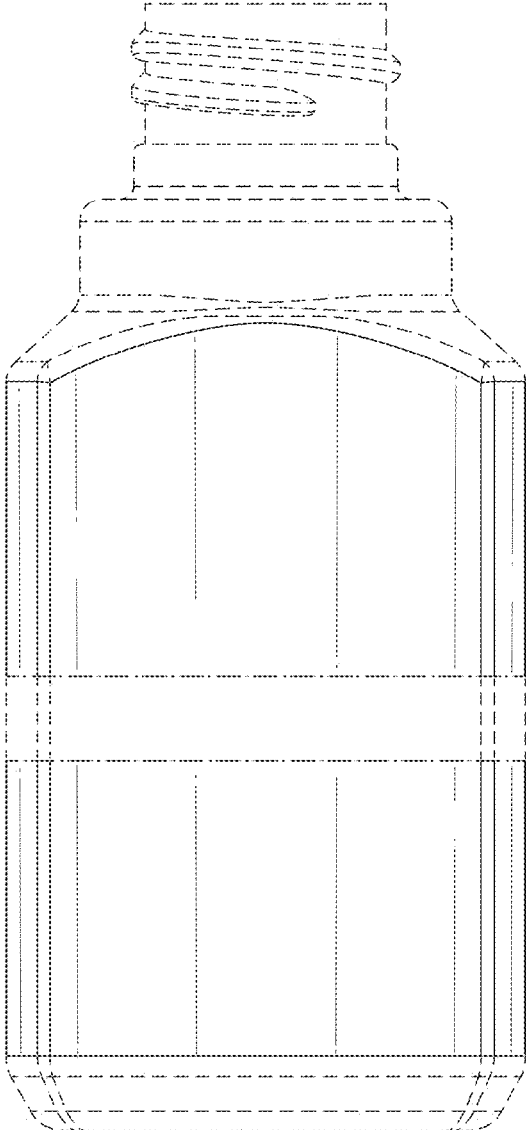


FIG. 11

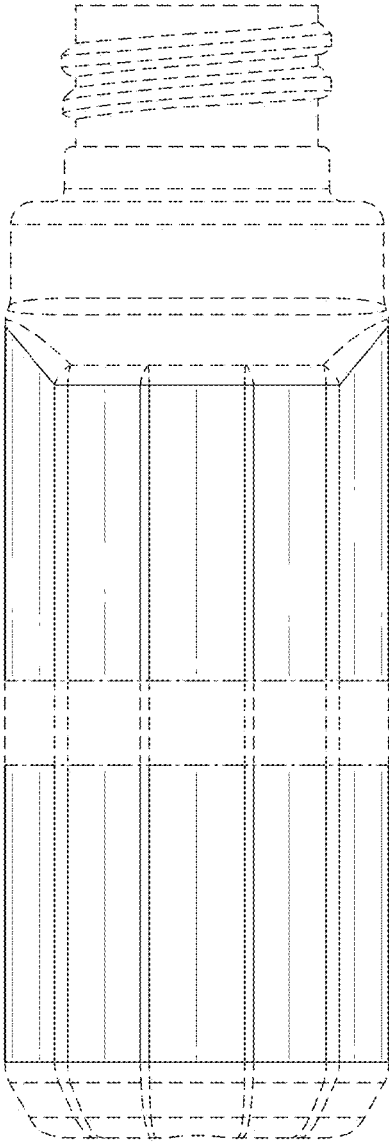


FIG. 12

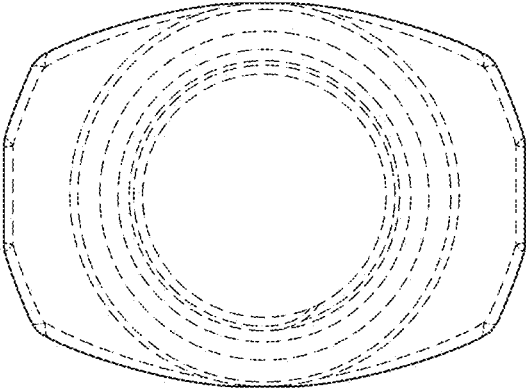


FIG. 13

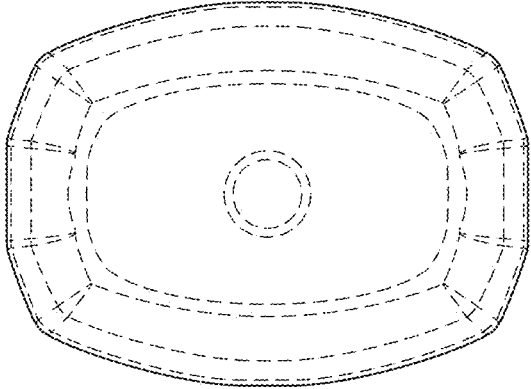


FIG. 14