



US0D1024927S

(12) **United States Design Patent**
Shi

(10) **Patent No.:** **US D1,024,927 S**

(45) **Date of Patent:** **** Apr. 30, 2024**

- (54) **RECHARGEABLE BATTERY**
- (71) Applicant: **Fengqing Shi**, Huainan (CN)
- (72) Inventor: **Fengqing Shi**, Huainan (CN)
- (73) Assignee: **Fengqing Shi**, Huainan (CN)
- (**) Term: **15 Years**
- (21) Appl. No.: **29/834,723**

D957,337 S *	7/2022	Chen	D13/119
D976,200 S *	1/2023	Li	D13/107
D976,201 S *	1/2023	Li	D13/107
D977,421 S *	2/2023	Muhlenkamp, IV	D13/108

FOREIGN PATENT DOCUMENTS

CA	137966	*	6/2011
CN	308135270	*	3/2023

(Continued)

OTHER PUBLICATIONS

Black + Decker—Amazon, Announced on Jun. 5, 2015[online], retrieved on Jun. 13, 2023, retrieved from internet, <https://www.amazon.com/BLACK-DECKER-Lithium-Battery-BDCAC202B/dp/B010BFHORK/?th=1> (Year: 2015).*

(Continued)

Primary Examiner — Mark A Goodwin
Assistant Examiner — Noah Perez
(74) *Attorney, Agent, or Firm* — Nitin Kaushik

(57) **CLAIM**

The ornamental design for a rechargeable battery, as shown and described.

DESCRIPTION

FIG. 1 is a front perspective view of a rechargeable battery, showing my new design;
FIG. 2 is a front view thereof;
FIG. 3 is a rear view thereof;
FIG. 4 is a right side view thereof;
FIG. 5 is a left side view thereof;
FIG. 6 is a bottom view thereof; and,
FIG. 7 is a top view thereof.
The broken lines in the drawings illustrate the portions of the rechargeable battery, which form no part of the claimed design.

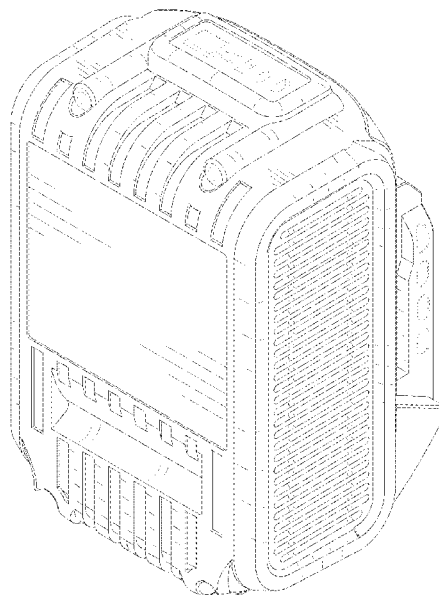
1 Claim, 7 Drawing Sheets

- (22) Filed: **Apr. 13, 2022**
- (51) **LOC (14) Cl.** **13-02**
- (52) **U.S. Cl.**
USPC **D13/103**
- (58) **Field of Classification Search**
USPC D13/102–106, 110, 112, 118, 119, 153,
D13/168, 184, 199; D14/253, 432, 434
CPC H01M 6/00; H01M 6/14; H01M 6/10;
H01M 10/52
See application file for complete search history.

(56) **References Cited**

U.S. PATENT DOCUMENTS

D505,913 S *	6/2005	Kam Lun	D13/107
D506,972 S *	7/2005	Parel	D13/107
D507,234 S *	7/2005	Heun	D13/107
D548,687 S *	8/2007	Okuda	D13/107
D605,111 S *	12/2009	Schoch	D13/107
D635,917 S *	4/2011	Okuda	D13/107
D642,518 S *	8/2011	Kokawa	D13/107
D668,219 S *	10/2012	Zhao	D13/107
D703,136 S *	4/2014	Choi	D13/110
D839,183 S *	1/2019	Kirkpatrick	D13/107
D840,926 S *	2/2019	Howell	D13/107
D885,331 S *	5/2020	Suzuki	D13/108
D900,024 S *	10/2020	Kuang	D13/107
D900,025 S *	10/2020	Chen	D13/107
D924,128 S *	7/2021	Hasenmayer	D13/107
D931,803 S *	9/2021	Ge	D13/107



(56)

References Cited

FOREIGN PATENT DOCUMENTS

CN	308135354	*	7/2023
KR	300529012.0003	*	5/2009

OTHER PUBLICATIONS

Powilling—Amazon, Announced on Oct. 15, 2021[online], retrieved on Jun. 13, 2023, retrieved from internet, <https://www.amazon.com/dp/B09JK3ZW9W/> (Year: 2021).*

Elefly—Amazon, Announced on May 21, 2019[online], retrieved on Jun. 13, 2023, retrieved from internet, <https://www.amazon.com/dp/B07S1V931Q/> (Year: 2019).*

Lilocaja—Amazon, Announced on May 25, 2021[online], retrieved on Jun. 13, 2023, retrieved from internet, <https://www.amazon.com/dp/B094GY4QW3/> (Year: 2021).*

* cited by examiner

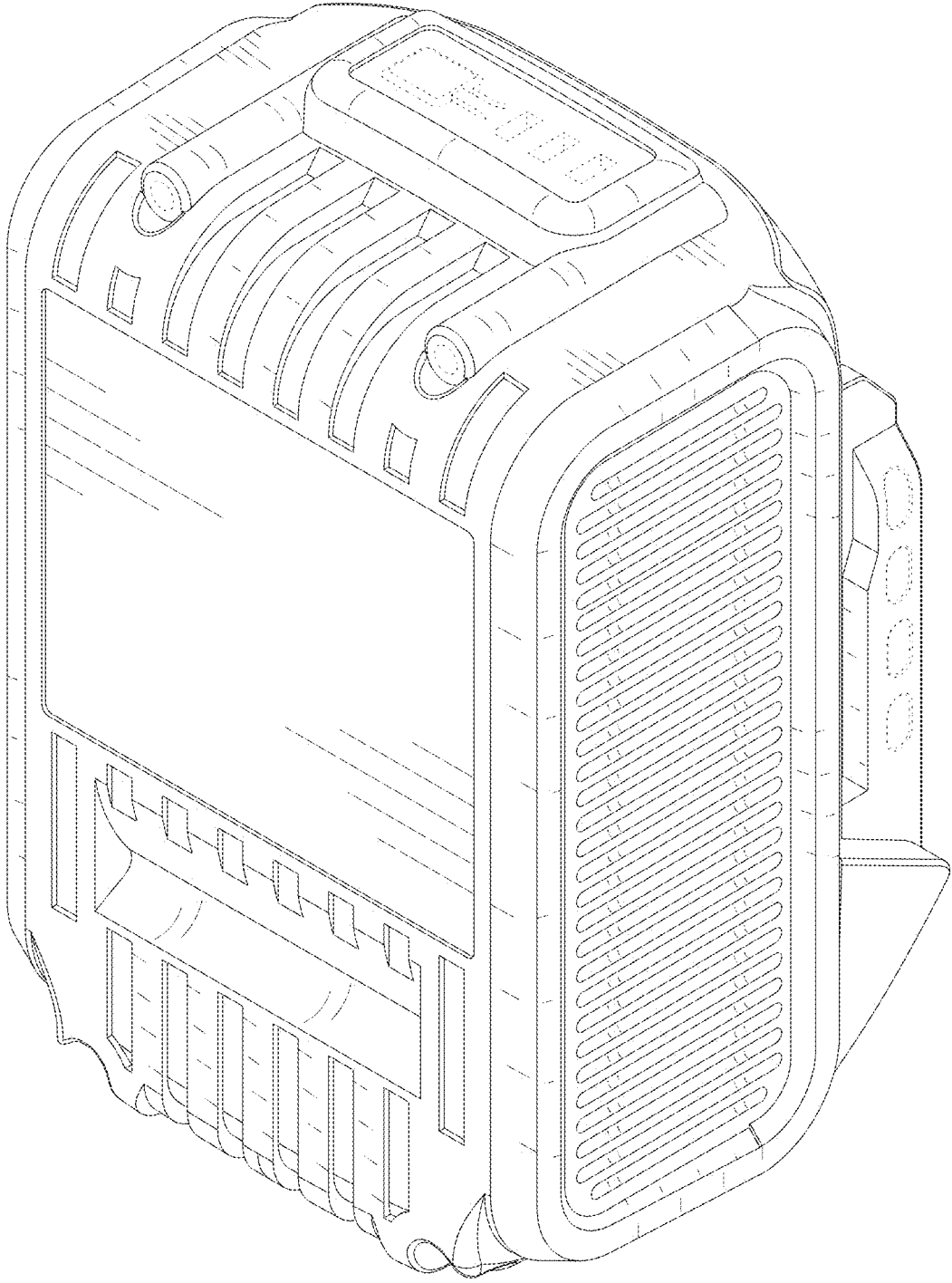


FIG. 1

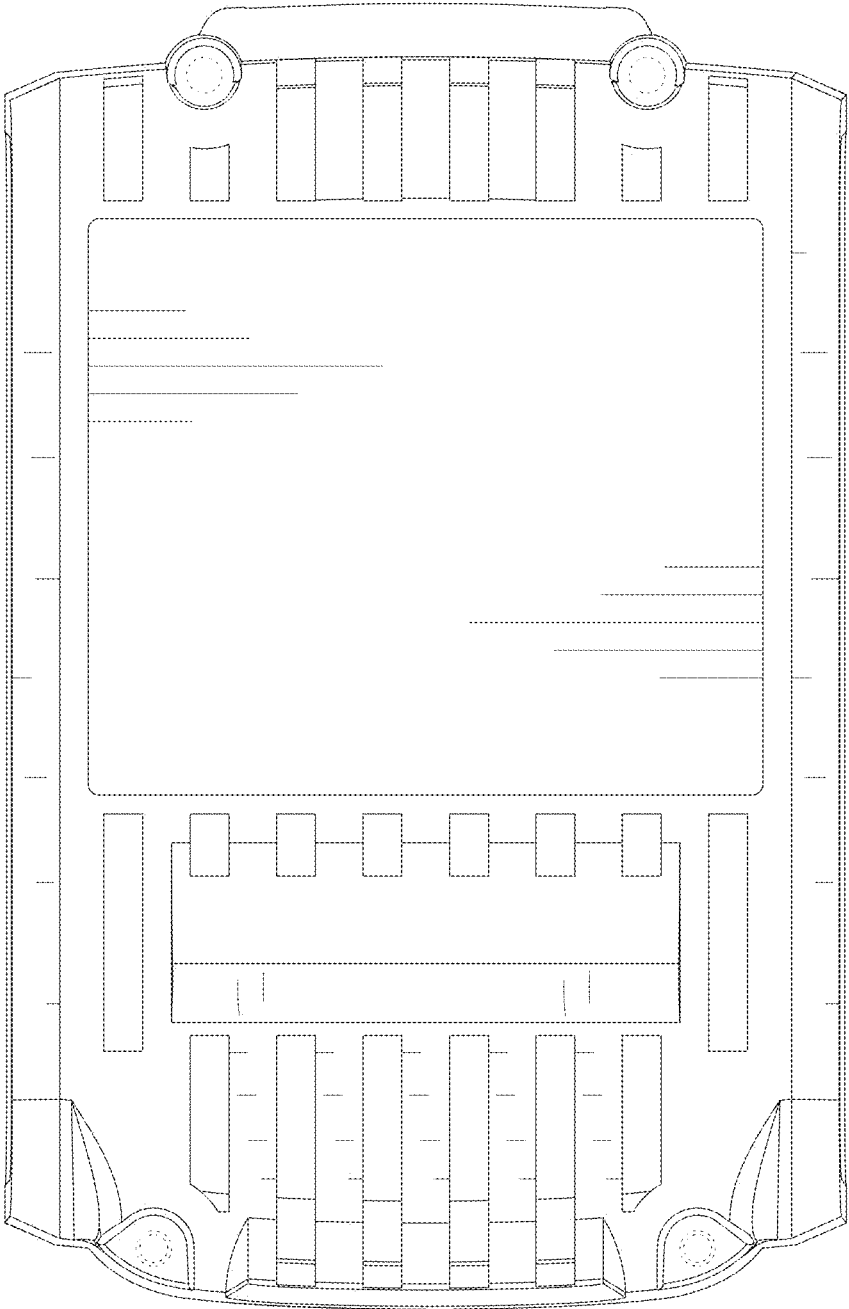


FIG. 2

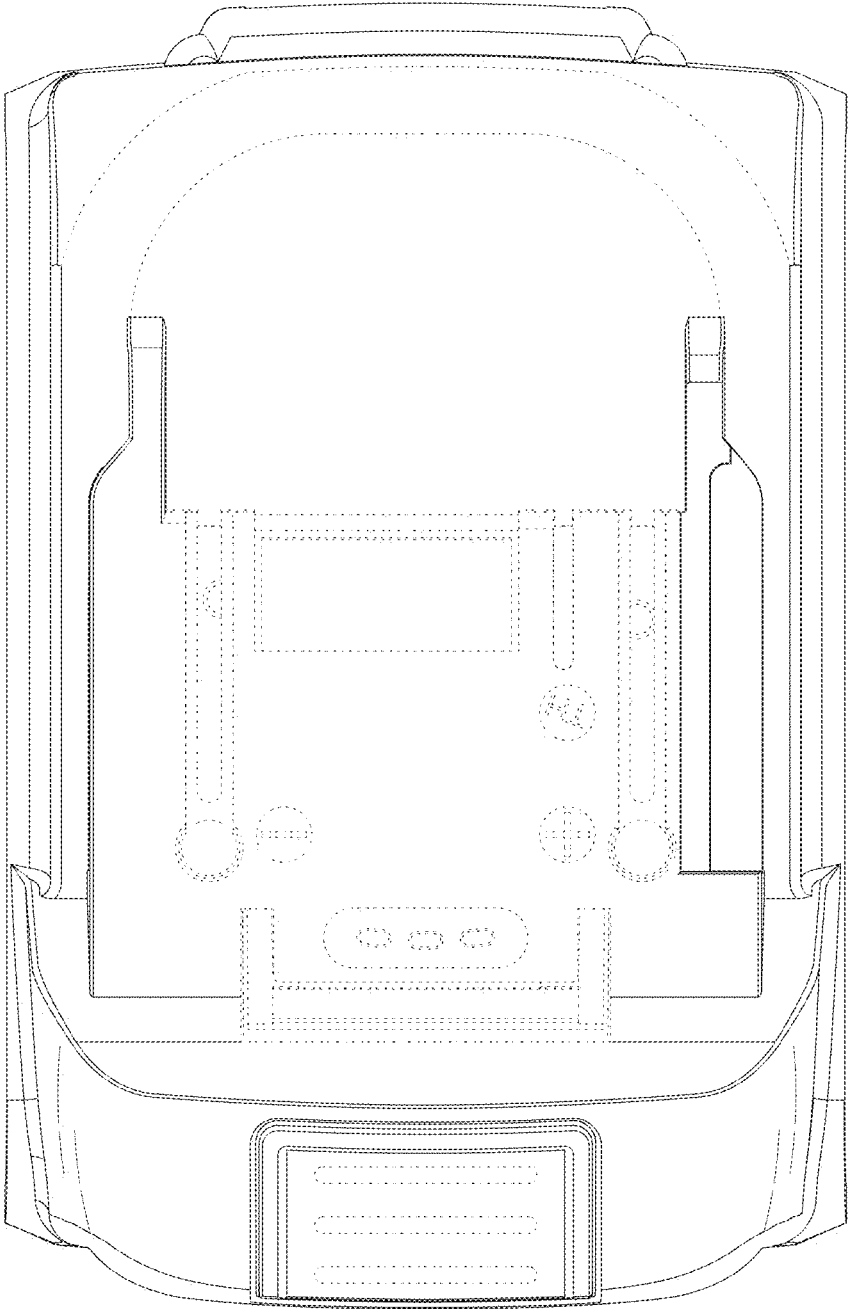


FIG. 3

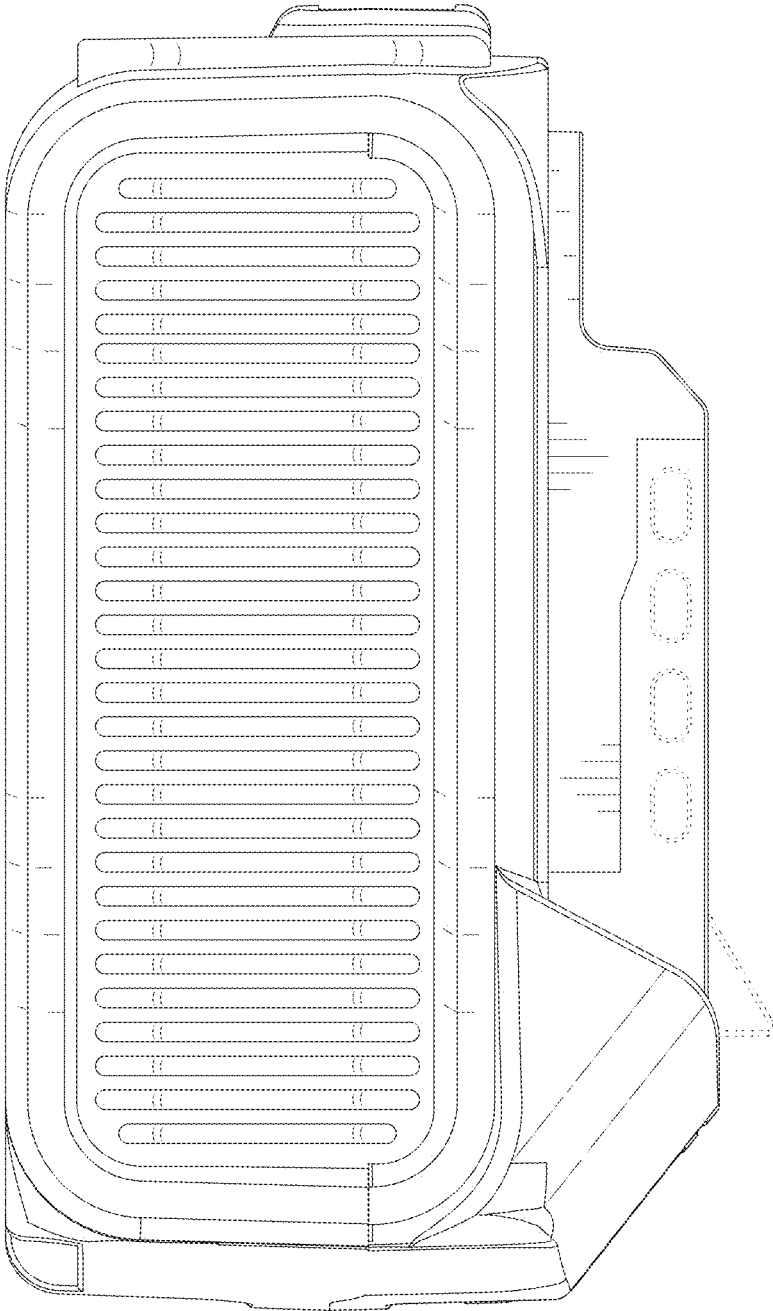


FIG. 4

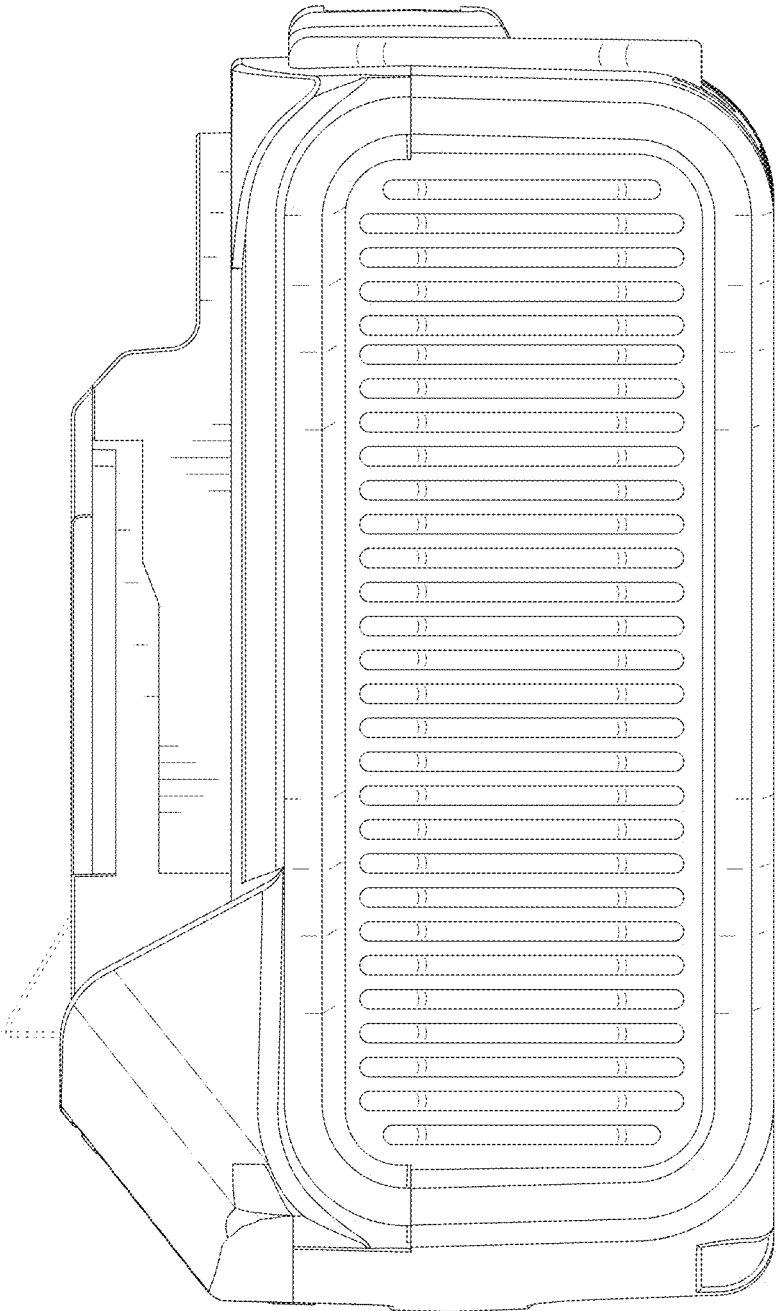


FIG. 5

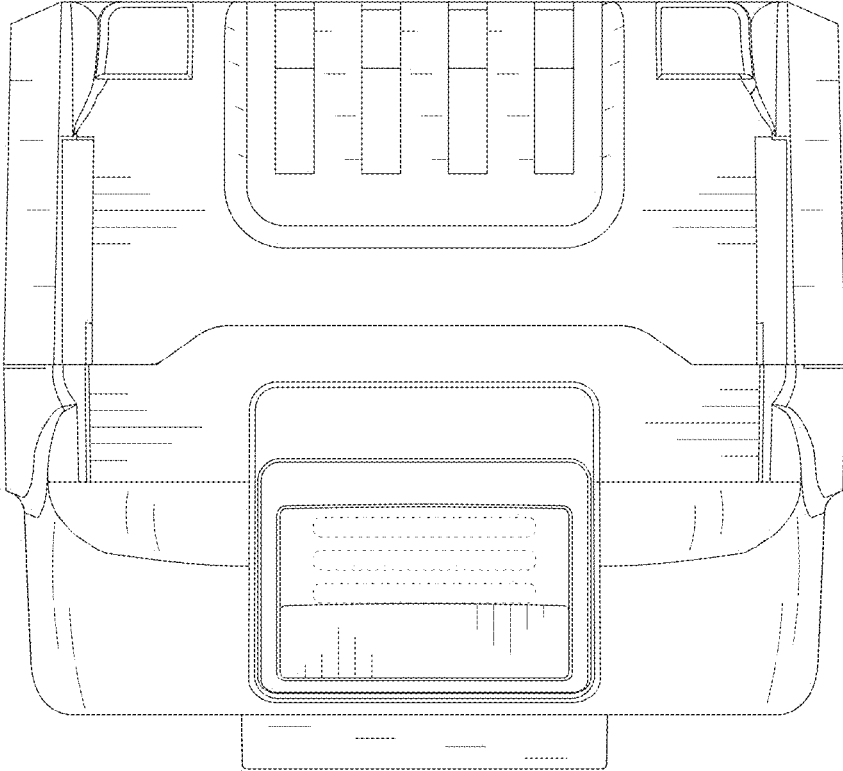


FIG. 6

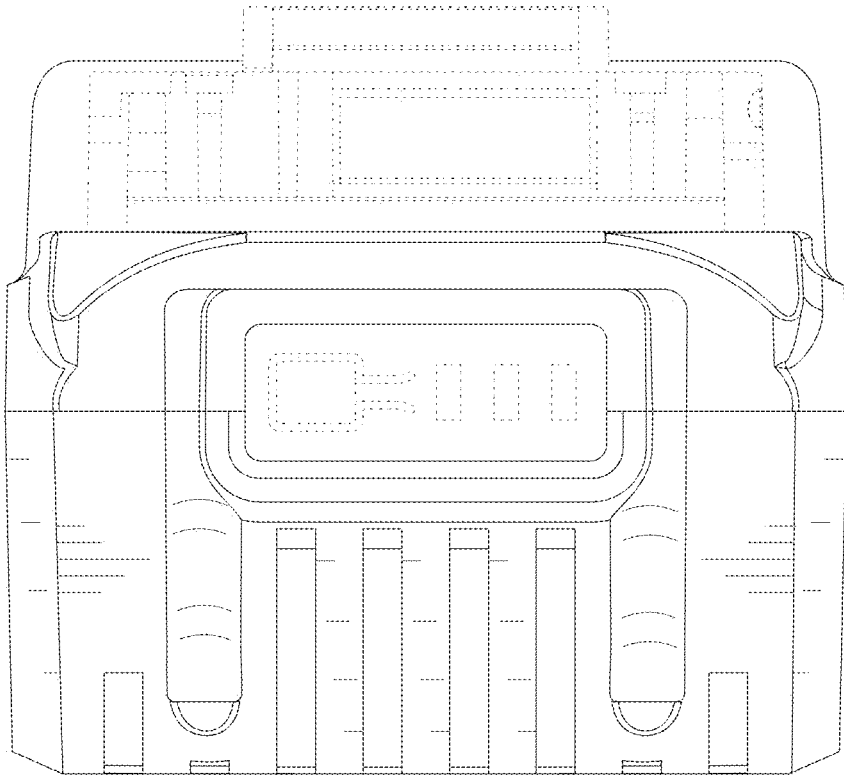


FIG. 7