



US00D867639S

(12) **United States Design Patent**
Dennis et al.

(10) **Patent No.:** **US D867,639 S**

(45) **Date of Patent:** **** Nov. 19, 2019**

(54) **LUMINAIRE**

(71) Applicant: **Lightforce Australia Pty Ltd.,**
Hindmarsh (AU)

(72) Inventors: **Raymond L. Dennis, Adelaide (AU);**
Robert T. Dall, Adelaide (AU)

(73) Assignee: **Lightforce Australia Pty Ltd.,**
Hindmarsh (AU)

(**) Term: **15 Years**

(21) Appl. No.: **29/656,164**

(22) Filed: **Jul. 11, 2018**

(51) **LOC (12) Cl.** **26-06**

(52) **U.S. Cl.**
USPC **D26/31**

(58) **Field of Classification Search**
USPC D26/28-36, 139
CPC F21S 48/00; F21S 48/10; F21S 48/115;
F21S 48/225; F21S 48/1233; F21S
48/1266; F21S 48/1388; F21S 48/2268;
F21V 21/04; B60Q 9/13; B60Q 9/135;
B60Q 9/1375

See application file for complete search history.

(56) **References Cited**

U.S. PATENT DOCUMENTS

D483,505 S * 12/2003 Schwerdtmann D26/28
D483,891 S * 12/2003 Suberi D26/31

D529,642 S * 10/2006 Green D26/31
D678,564 S * 3/2013 Janssen D26/28
D709,221 S * 7/2014 Tsai D26/28
D738,552 S * 9/2015 Heiner et al.
D739,584 S * 9/2015 Heiner D26/31

* cited by examiner

Primary Examiner — Marcus A Jackson

(74) *Attorney, Agent, or Firm* — Wood Herron & Evans
LLP

(57) **CLAIM**

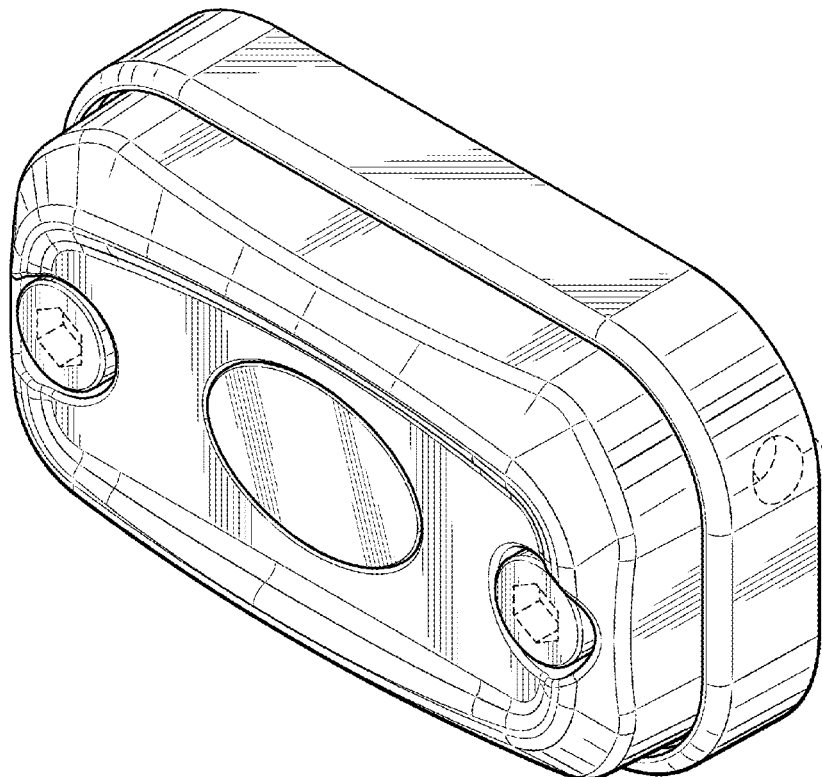
The ornamental design for a luminaire, as shown and described.

DESCRIPTION

FIG. 1 is a front isometric view of the luminaire;
FIG. 2 is a front elevational view; is a rear isometric view;
FIG. 3 is a left side elevational view;
FIG. 4 is a right side elevational view;
FIG. 5 is a top plan view;
FIG. 6 is a bottom plan view; and,
FIG. 7 is a rear elevational view.

The features of the luminaire shown in broken lines are for illustrative purposes only and form no part of the claimed design.

1 Claim, 3 Drawing Sheets



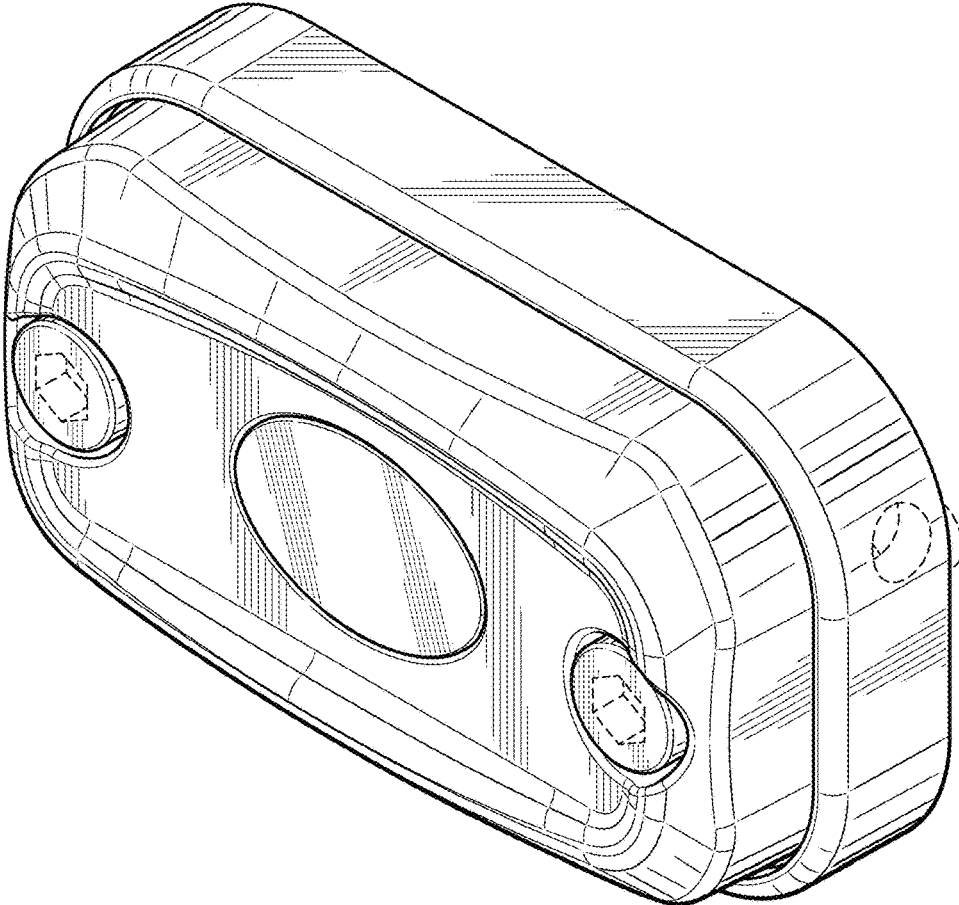


FIG. 1

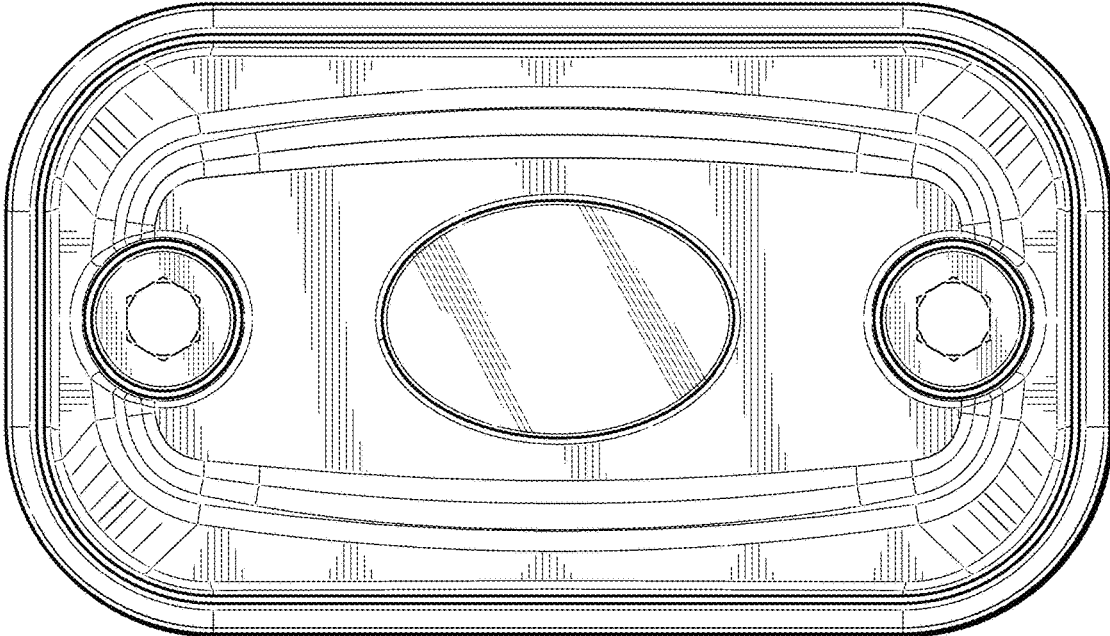


FIG. 2

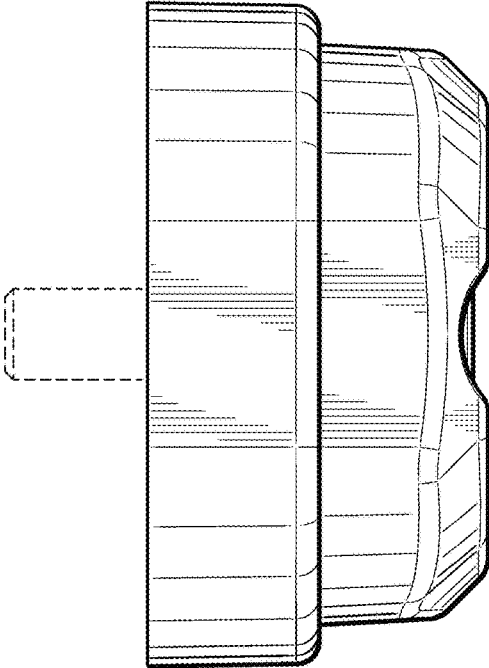


FIG. 3

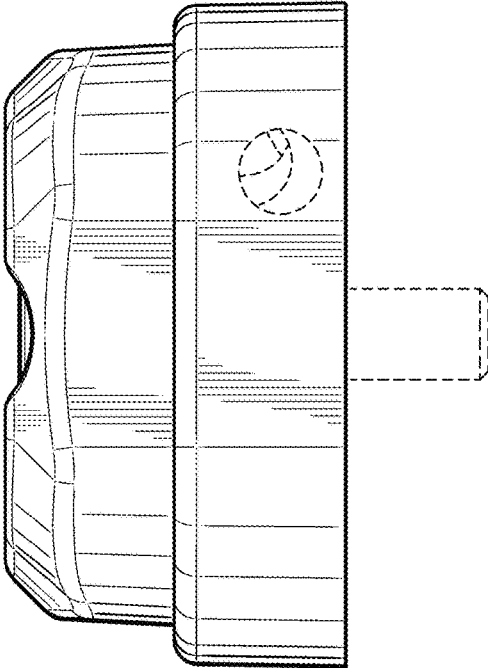


FIG. 4

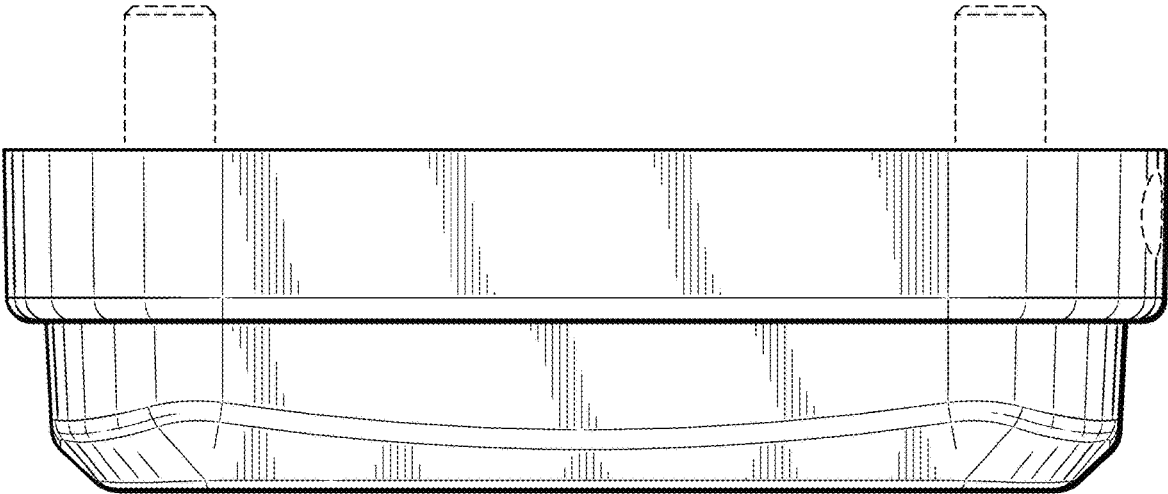


FIG. 5

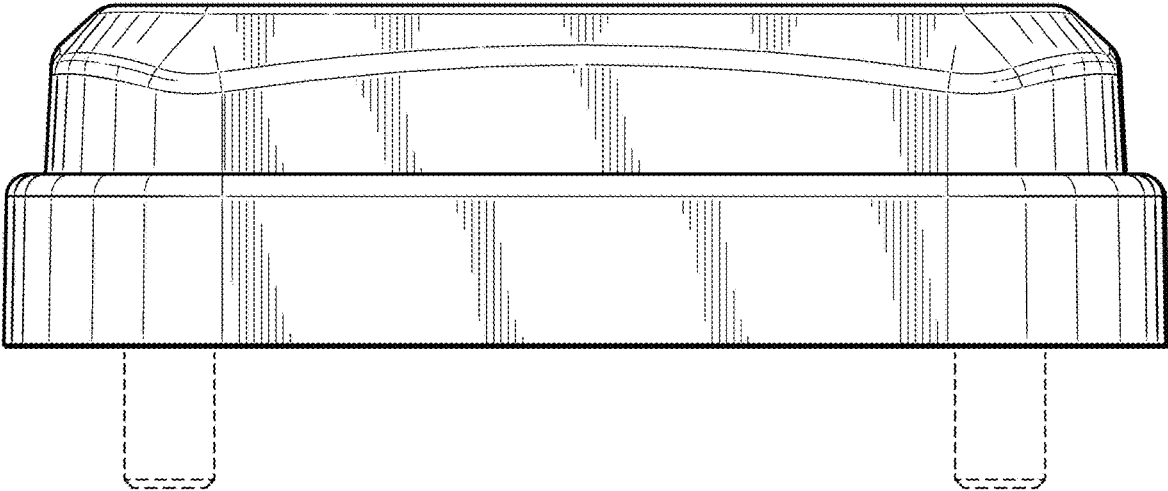


FIG. 6

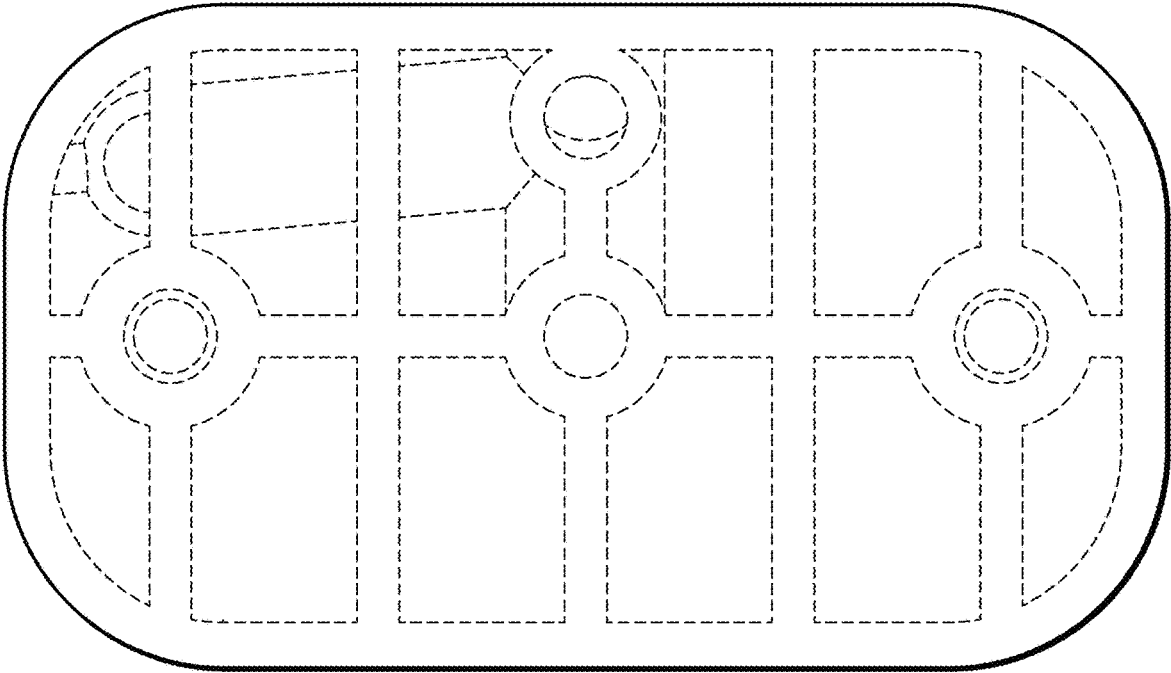


FIG. 7