



US00D721389S

(12) **United States Design Patent**
Gieske et al.

(10) **Patent No.:** **US D721,389 S**

(45) **Date of Patent:** **** Jan. 20, 2015**

- (54) **CARBURETOR MAIN BODY**
- (71) Applicant: **Holley Performance Products Inc.,**
Bowling Green, KY (US)
- (72) Inventors: **Amy Gieske,** Bowling Green, KY (US);
Laura Shehan, Bowling Green, KY (US);
Shane Weckerly, Bowling Green, KY (US);
Jonathan Sams, Woodburn, KY (US)
- (73) Assignee: **Holley Performance Products Inc.,**
Bowling Green, KY (US)

2,991,052 A *	7/1961	Carlson et al.	261/23.2
3,544,083 A *	12/1970	Currie	261/23.2
4,926,831 A *	5/1990	Earl	123/557
6,481,698 B1 *	11/2002	Calvin et al.	261/23.2
8,276,560 B2 *	10/2012	Hasebe et al.	123/184.32
2011/0204530 A1 *	8/2011	James	261/64.1

* cited by examiner

Primary Examiner — T. Chase Nelson

Assistant Examiner — Ania Aman

(74) *Attorney, Agent, or Firm* — Hunton & Williams LLP

(**) Term: **14 Years**

(21) Appl. No.: **29/478,722**

(22) Filed: **Jan. 8, 2014**

(51) **LOC (10) Cl.** **15-01**

(52) **U.S. Cl.**
USPC **D15/6**

(58) **Field of Classification Search**
USPC D15/1-6; 261/DIG. 67, 23.2, 34.1,
261/121.3, 36.2, 42
See application file for complete search history.

(56) **References Cited**

U.S. PATENT DOCUMENTS

2,212,926 A *	8/1940	Wirth	261/23.2
2,436,319 A *	2/1948	Meyer	261/41.3

(57) **CLAIM**

The ornamental design for a carburetor main body, as shown and described.

DESCRIPTION

FIG. 1 is a perspective view of an carburetor main body showing the claimed design.

FIG. 2 is a back view of the carburetor main body of FIG. 1.

FIG. 3 is a front view of the carburetor main body of FIG. 1.

FIG. 4 is a top view of the carburetor main body of FIG. 1.

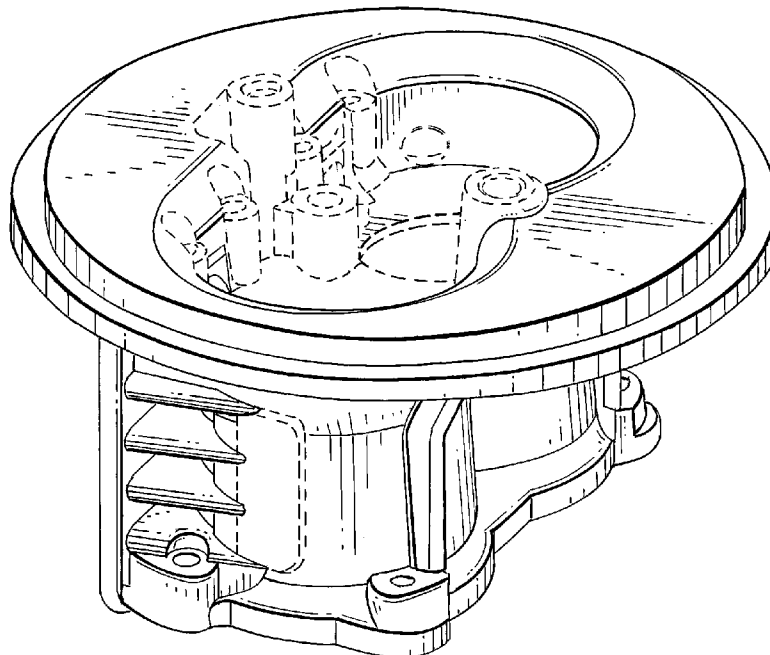
FIG. 5 is a left side view of the carburetor main body of FIG. 1.

FIG. 6 is a bottom view of the carburetor main body of FIG. 1; and,

FIG. 7 is a right side view of the carburetor main body of FIG. 1.

The broken lines used in the figures are for illustrative purposes only and form no part of the claimed design.

1 Claim, 4 Drawing Sheets



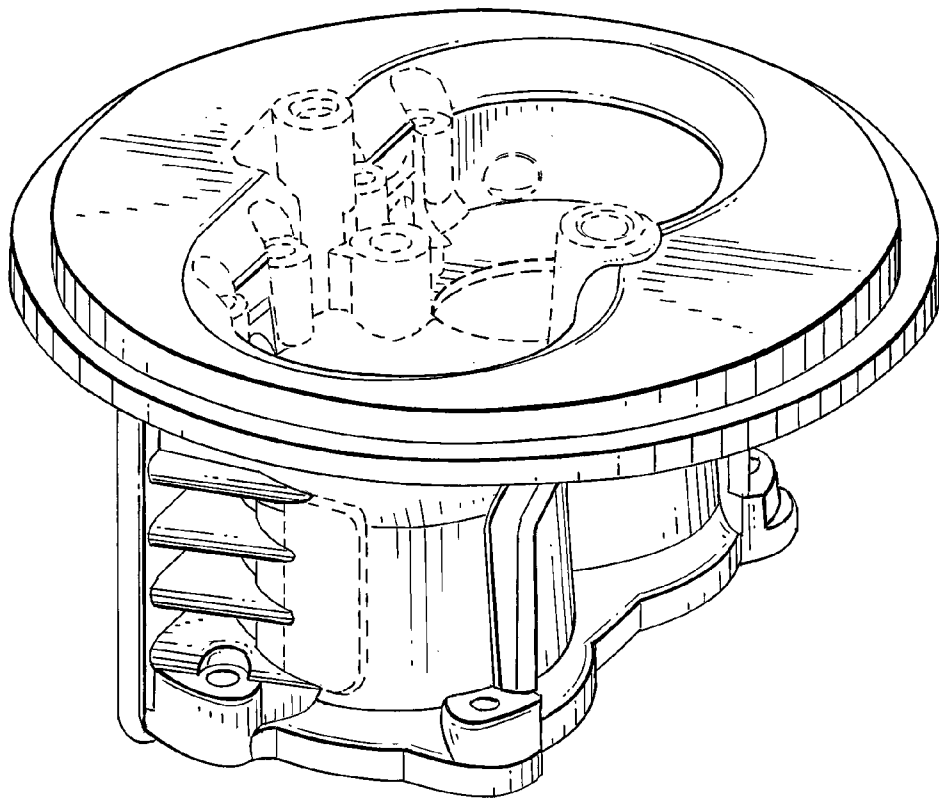


Fig. 1

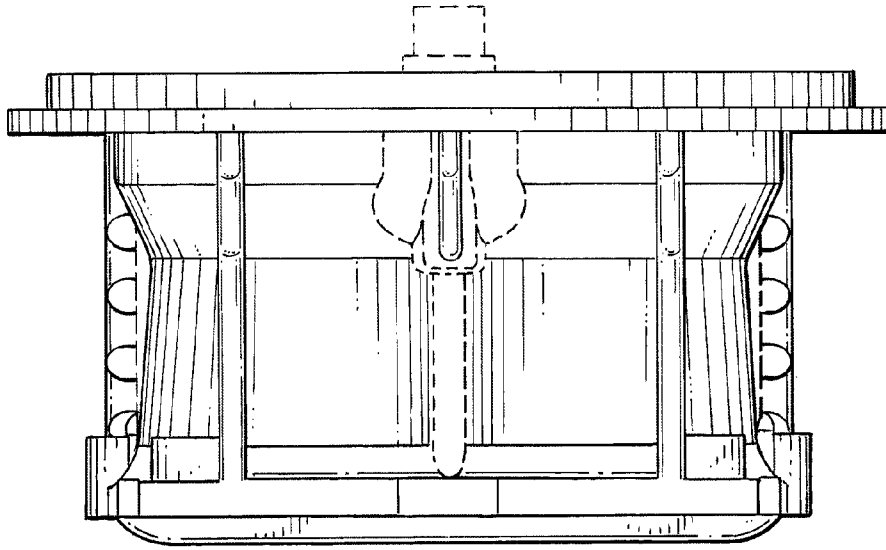


Fig. 2

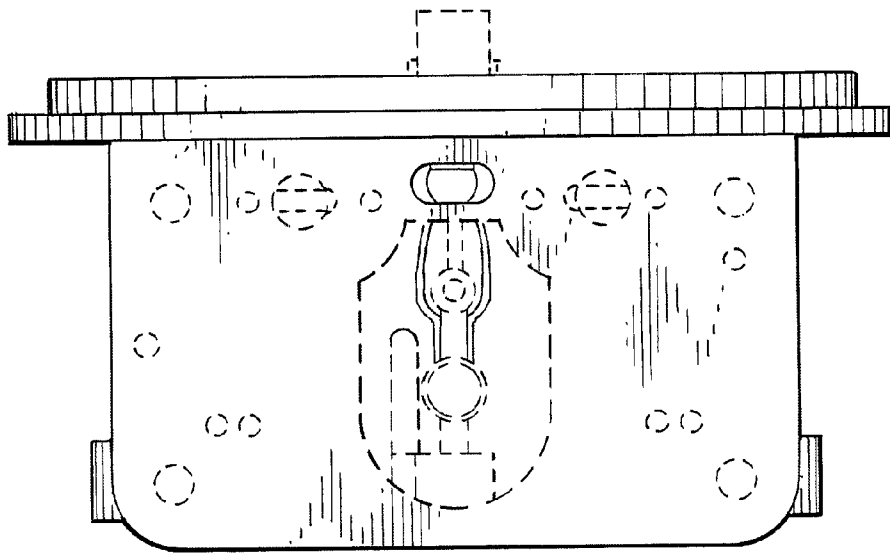


Fig. 3

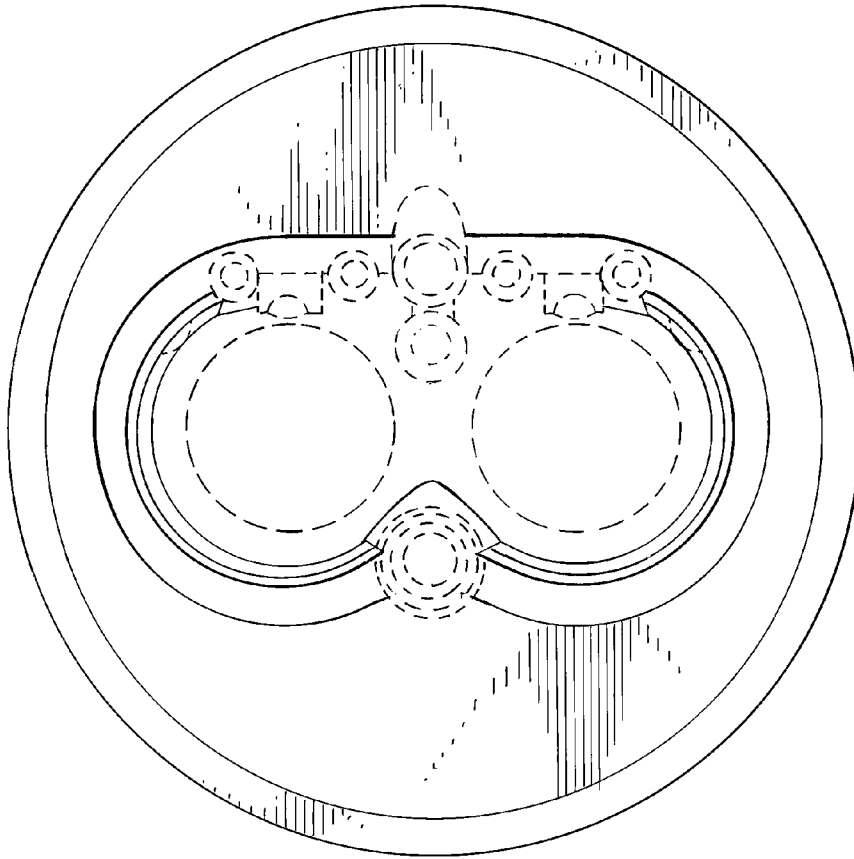


Fig. 4

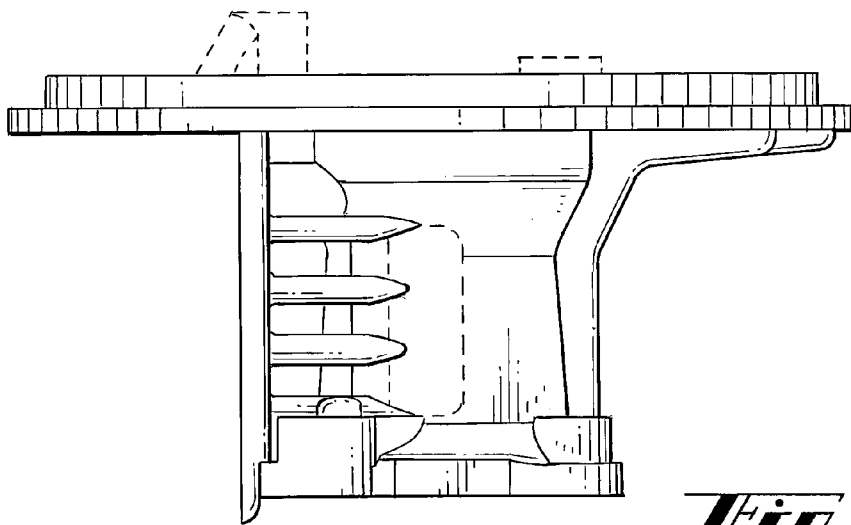


Fig. 5

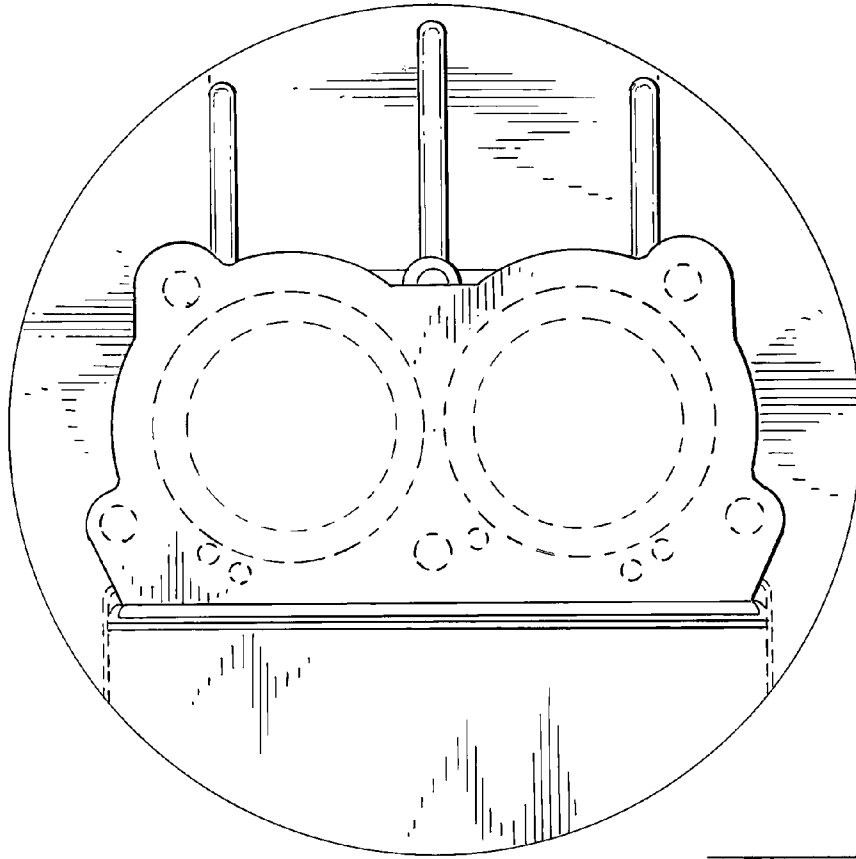


Fig. 6

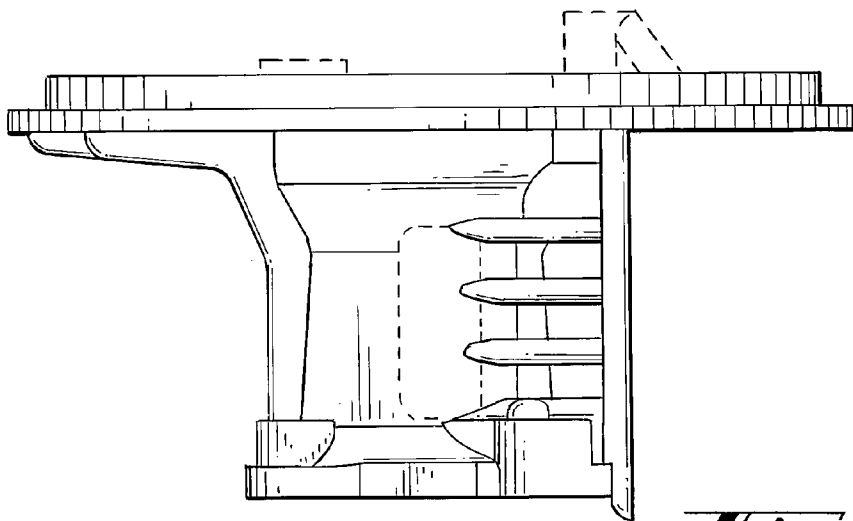


Fig. 7