



US00D760605S

(12) **United States Design Patent**
Koutsolioutsos

(10) **Patent No.:** **US D760,605 S**

(45) **Date of Patent:** **** Jul. 5, 2016**

(54) **WATCH**

(71) Applicant: **FOLLI-FOLLIE COMMERCIAL MANUFACTURING AND TECHNICAL SOCIETE ANONYME**, Athens (GR)

(72) Inventor: **Dimitrios Koutsolioutsos**, Athens (GR)

(73) Assignee: **FOLLI-FOLLIE COMMERCIAL MANUFACTURING AND TECHNICAL SOCIETE ANONYME**, Athens (GR)

(**) Term: **14 Years**

(21) Appl. No.: **29/482,522**

(22) Filed: **Feb. 19, 2014**

(51) **LOC (10) Cl.** **10-02**

(52) **U.S. Cl.**
USPC **D10/38; D10/126**

(58) **Field of Classification Search**
USPC D10/30-39, 1-29, 122-132
CPC G04B 19/00; G04B 19/04; G04B 19/044;
G04B 19/10; G04B 37/00; G04B 37/0008;
G04B 37/0058; G04B 45/00; G04B 45/0069;
G04B 45/0076; G04B 45/0084
See application file for complete search history.

(56) **References Cited**

U.S. PATENT DOCUMENTS

D220,050 S * 3/1971 Yannich D10/124
D237,063 S * 10/1975 Kelman D10/123

D302,664 S * 8/1989 Dawson, Jr. D10/38
D312,580 S * 12/1990 Fong D10/32
D323,792 S * 2/1992 Scotti D11/84
D324,825 S * 3/1992 Besson D10/30
D326,419 S * 5/1992 Bulgari D10/39
5,319,615 A * 6/1994 Ng 368/276
D373,957 S * 9/1996 Mareschal D10/30
D377,613 S * 1/1997 Consolo D10/32
D470,069 S * 2/2003 Weiss D10/126
6,826,120 B1 * 11/2004 Decker et al. 368/10
D509,447 S * 9/2005 Scheufele D10/39
D560,513 S * 1/2008 Glassman D10/39
D627,249 S * 11/2010 Dias D10/129
D657,707 S * 4/2012 Koutsolioutsos D11/56
D658,083 S * 4/2012 Ghirardi et al. D11/1
D690,615 S * 10/2013 Koutsolioutsos D10/128

* cited by examiner

Primary Examiner — Martie K Holtje

(74) *Attorney, Agent, or Firm* — Fredrikson & Byron P.A.

(57) **CLAIM**

I claim the ornamental design for a watch, as shown and described.

DESCRIPTION

FIG. 1 is a perspective view of a watch incorporating my new design;
FIG. 2 is a front elevational view thereof;
FIG. 3 is a rear elevational view thereof;
FIG. 4 is a top plan view thereof, the bottom plan view is a mirror image thereof;
FIG. 5 is a right side view thereof; and,
FIG. 6 is a left side view thereof.

1 Claim, 3 Drawing Sheets

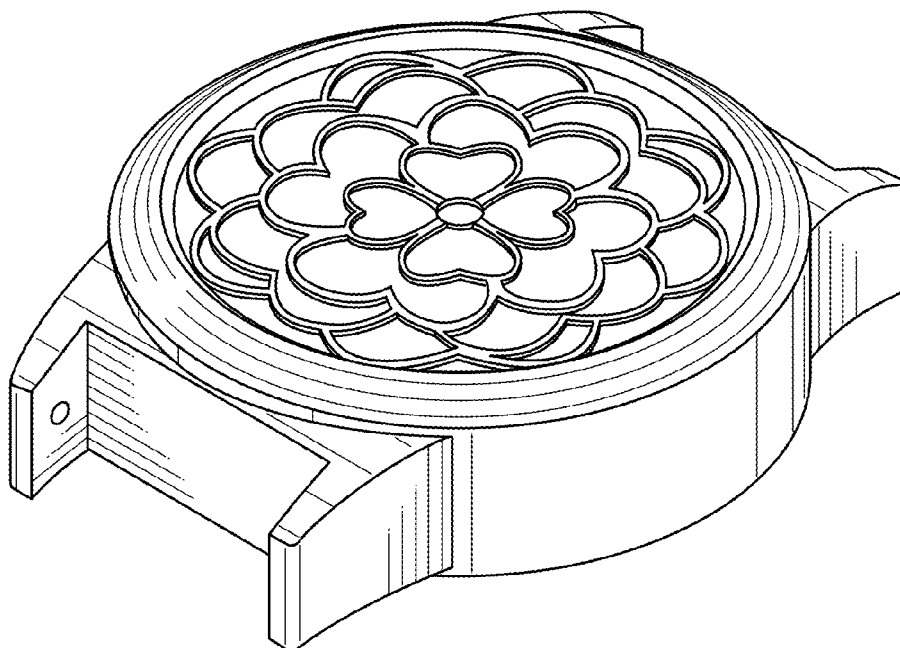


Fig. 1

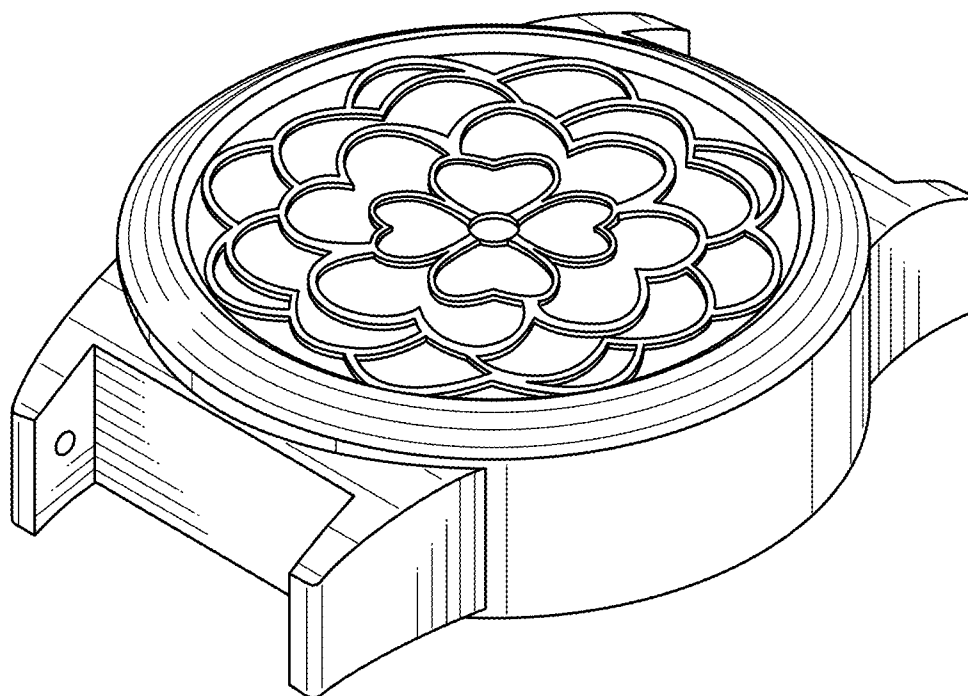


Fig. 2

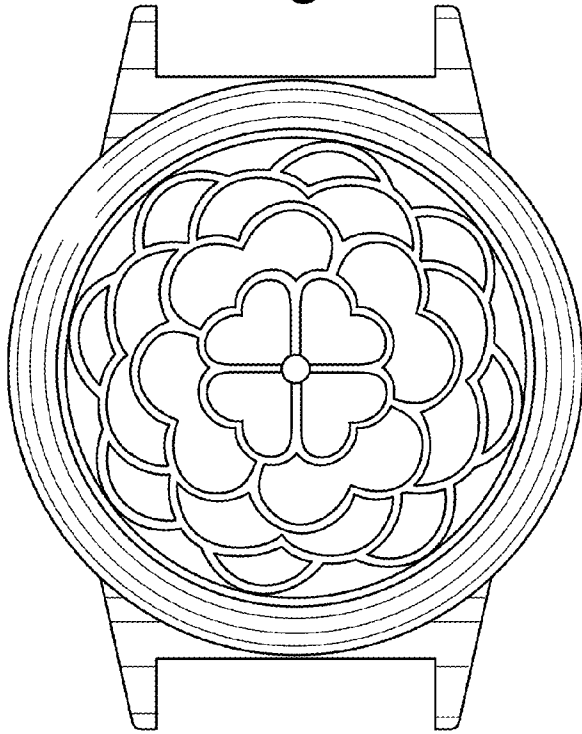


Fig. 3

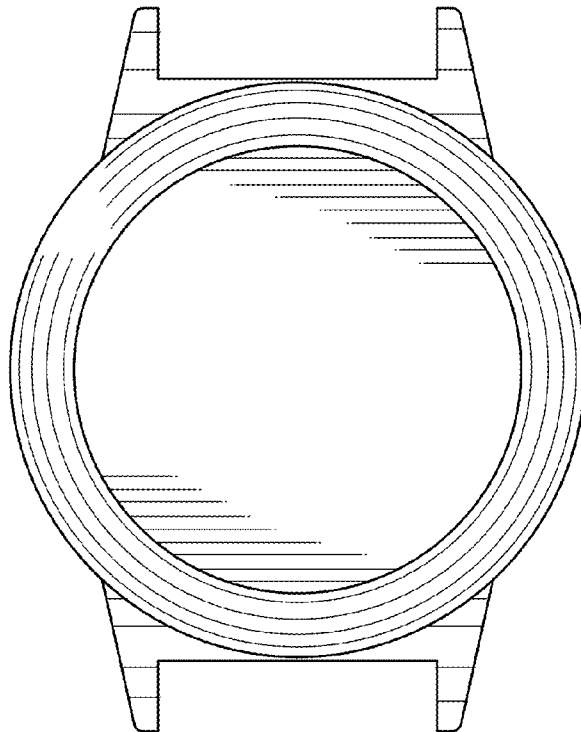


Fig. 4

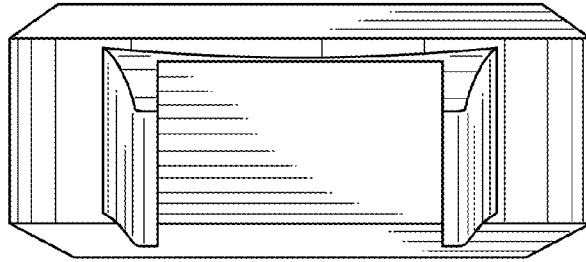


Fig. 5

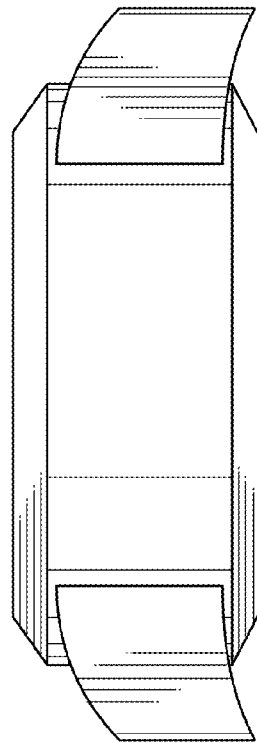


Fig. 6

