



US0D1004301S

(12) **United States Design Patent**
Li

(10) **Patent No.:** **US D1,004,301 S**

(45) **Date of Patent:** **** Nov. 14, 2023**

(54) **SEATING FURNITURE**

D821,768 S * 7/2018 Jones D6/374
D922,087 S * 6/2021 Li D6/380
D929,763 S * 9/2021 Li D6/375

(71) Applicant: **39F USA INC**, Rancho Cucamonga,
CA (US)

(72) Inventor: **Yuehai Li**, Rancho Cucamonga, CA
(US)

(**) Term: **15 Years**

(21) Appl. No.: **29/769,286**

(22) Filed: **Feb. 4, 2021**

(51) **LOC (14) Cl.** **06-01**

(52) **U.S. Cl.**
USPC **D6/334**

(58) **Field of Classification Search**
USPC D6/334, 335, 336, 349, 355, 360, 361,
D6/369, 370, 374, 375, 378, 379, 380,
D6/650, 716, 716.1, 716.3
CPC A47C 4/02; A47C 4/03; A47C 3/12; A47C
5/04; A47C 5/12; A47C 4/024; A47C
4/028; A47C 7/54; A47C 1/00; A47C
3/38; A47C 7/006; A47C 13/00; A47C
15/00

See application file for complete search history.

(56) **References Cited**

U.S. PATENT DOCUMENTS

D150,684 S * 8/1948 Eames D6/374
D155,274 S * 9/1949 Eames D6/374
2,658,563 A * 11/1953 Nordmark A47C 5/04
297/451.1
D183,240 S * 7/1958 Cohen 297/447.1
D217,716 S * 6/1970 Tatum D6/380
D406,951 S * 3/1999 Herrmann D6/374
D498,064 S * 11/2004 Gomez D6/334
D571,564 S * 6/2008 Schmidt D6/335

OTHER PUBLICATIONS

Merax Mid Century Modern Linen Upholstered Chair [online], [site visited Oct. 20, 2022]. Available from internet, URL: <https://www.amazon.com/Merax-Century-Modern-Leather-Bedroom/dp/B0BCQJ16NN?th=1> (Year: 2022).*

* cited by examiner

Primary Examiner — Cynthia Ramirez

Assistant Examiner — Xavier Marti-Santos

(74) *Attorney, Agent, or Firm* — Raymond Y. Chan;
David & Raymond Patent Firm

(57) **CLAIM**

The ornamental design for a seating furniture, as shown and as described.

DESCRIPTION

FIG. 1 is a front perspective view of a seating furniture showing my new design;
FIG. 2 is a front view thereof;
FIG. 3 is a rear view thereof;
FIG. 4 is a left side view thereof;
FIG. 5 is a right sideview thereof;
FIG. 6 is a top view thereof;
FIG. 7 is a bottom view thereof; and,
FIG. 8 is a rear perspective view thereof.

The cross-hatching shading in the figures is fragmentarily shown for convenience of illustration, it being understood that the cross-hatching is uniformly continued over the surface on which it appears. The broken lines in the figures are for the purpose of illustrating portions of the seating furniture, which form no part of the claimed design.

1 Claim, 8 Drawing Sheets

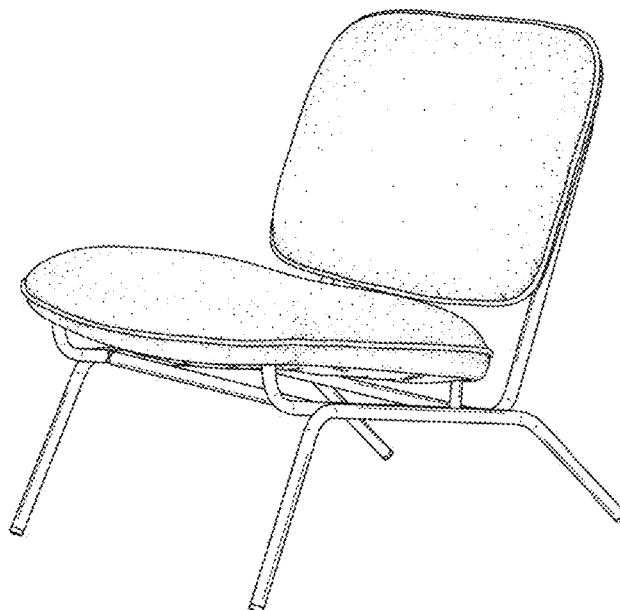




FIG.1

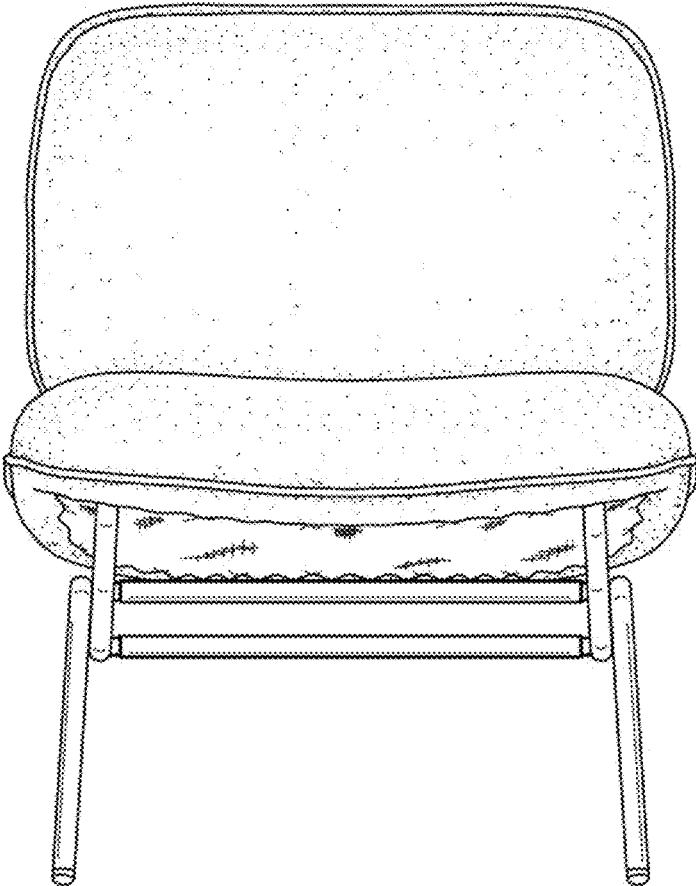


FIG.2

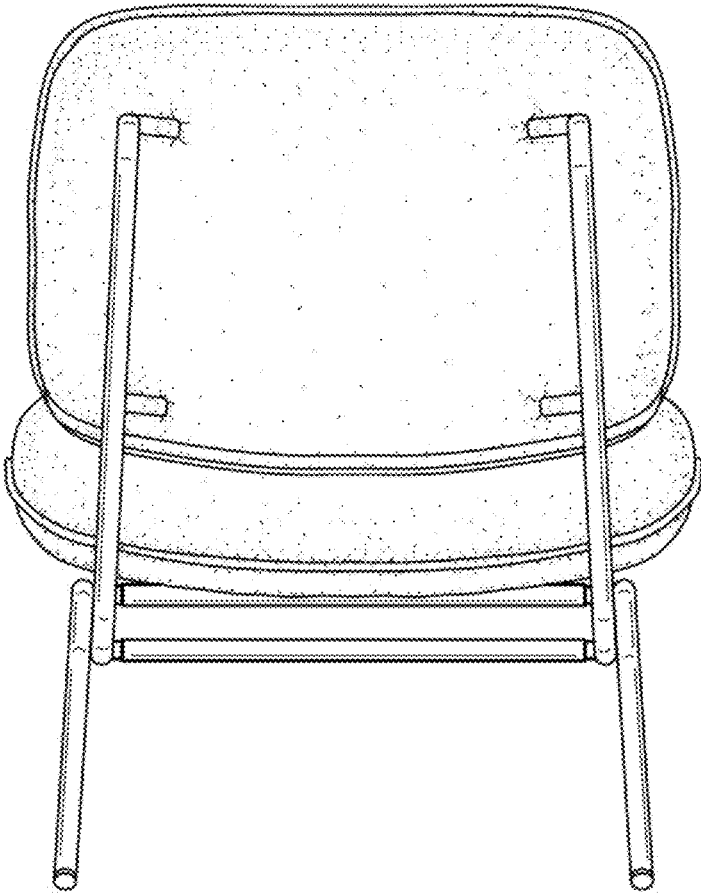


FIG.3

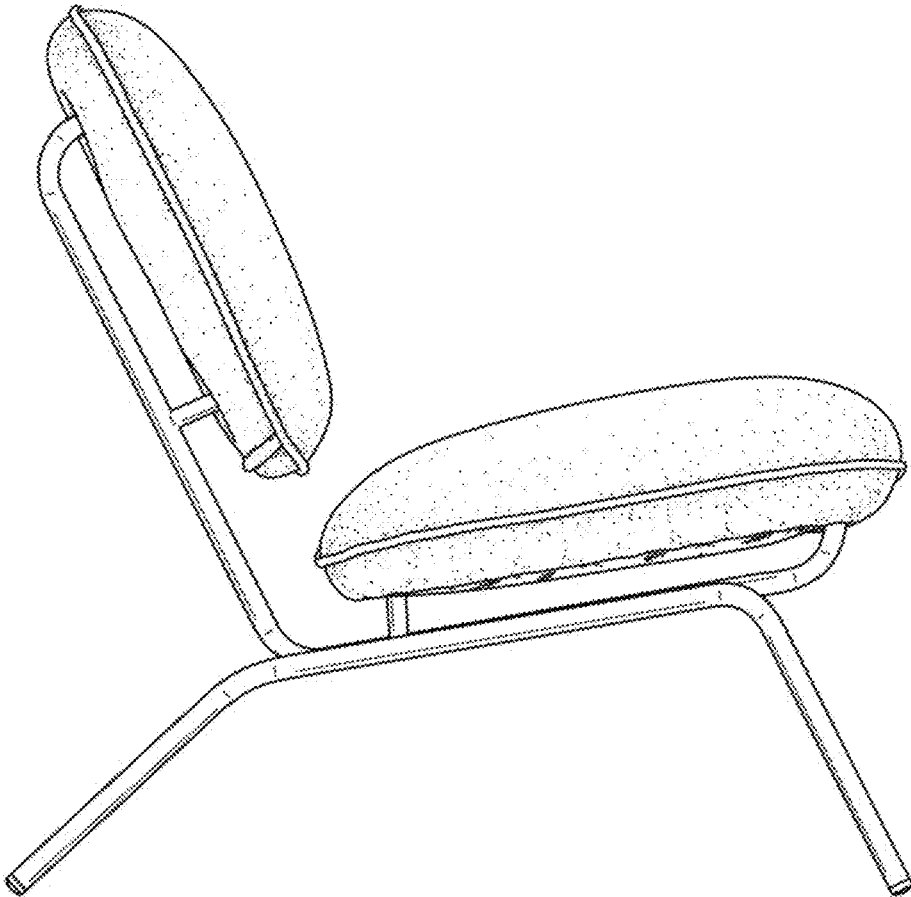


FIG.4

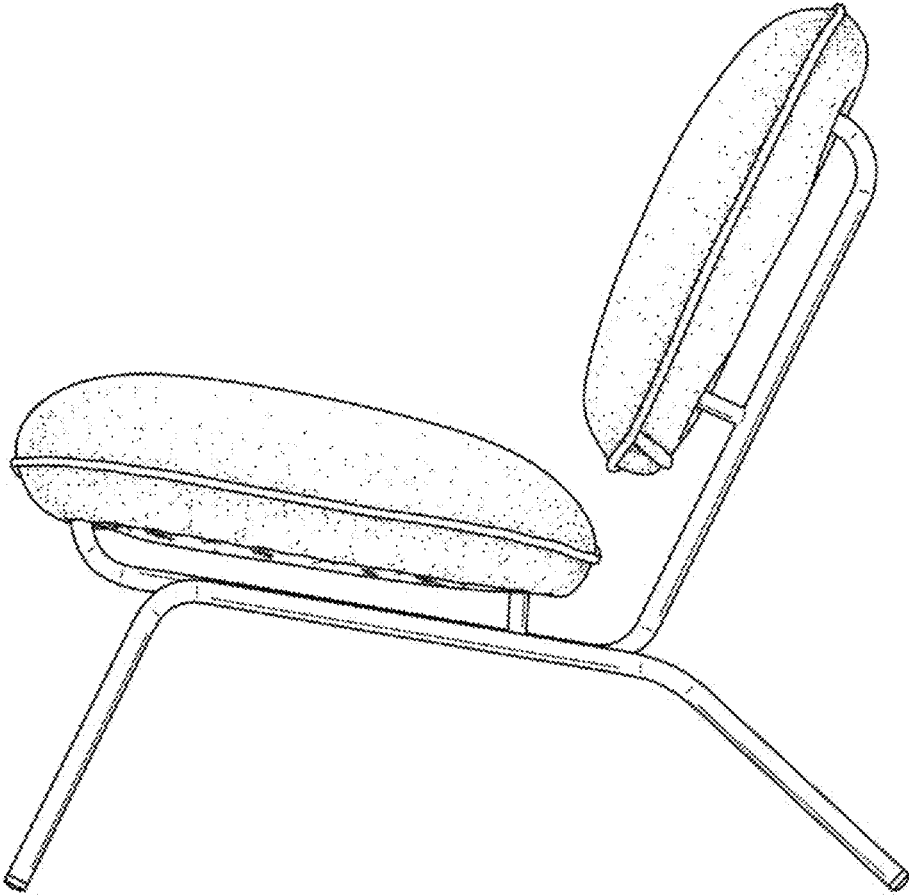


FIG.5

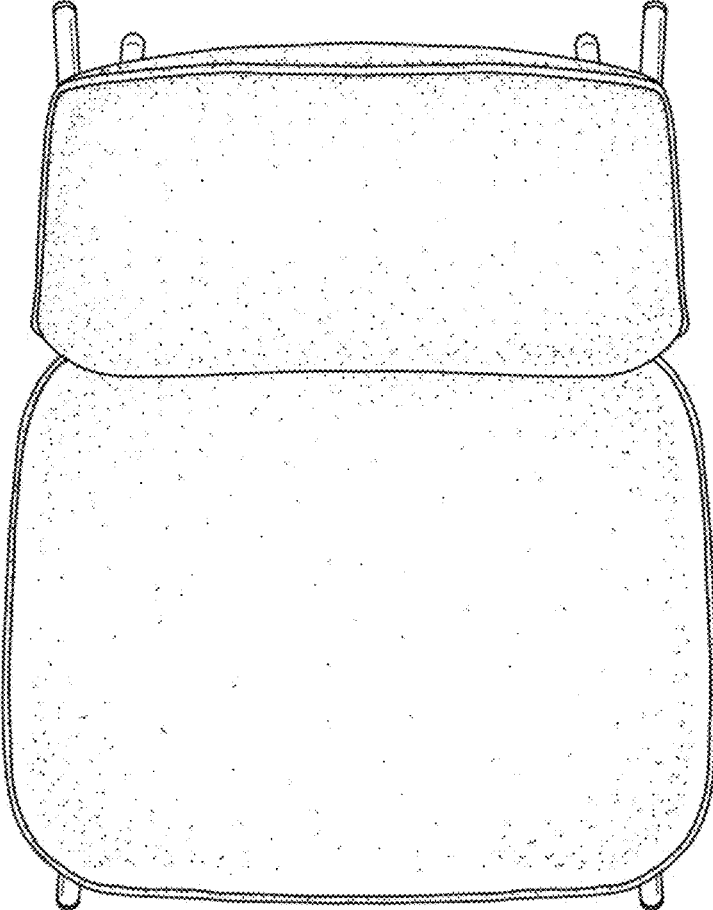


FIG.6

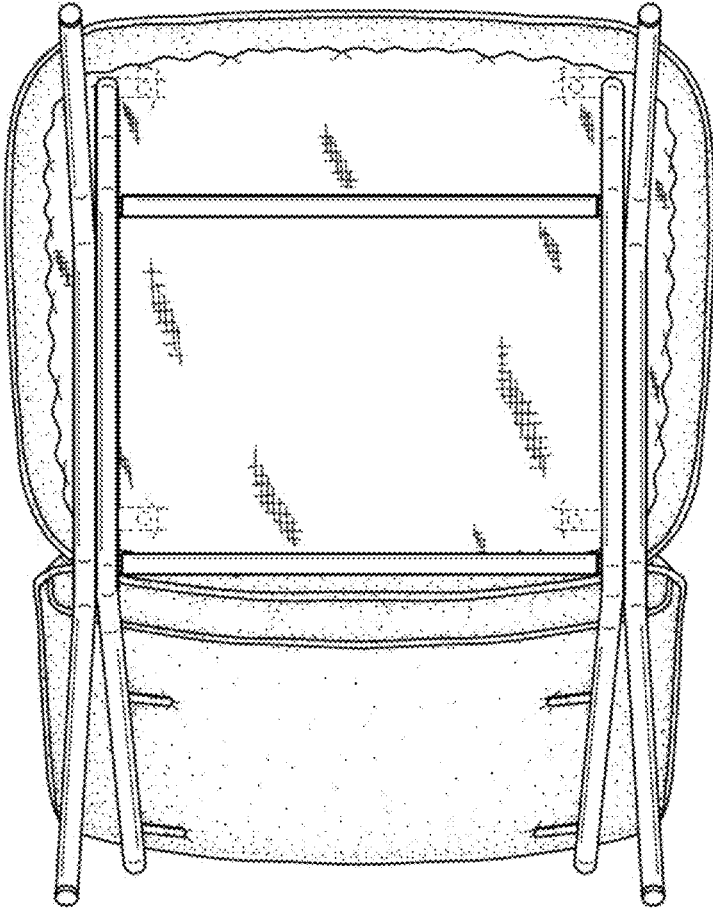


FIG.7

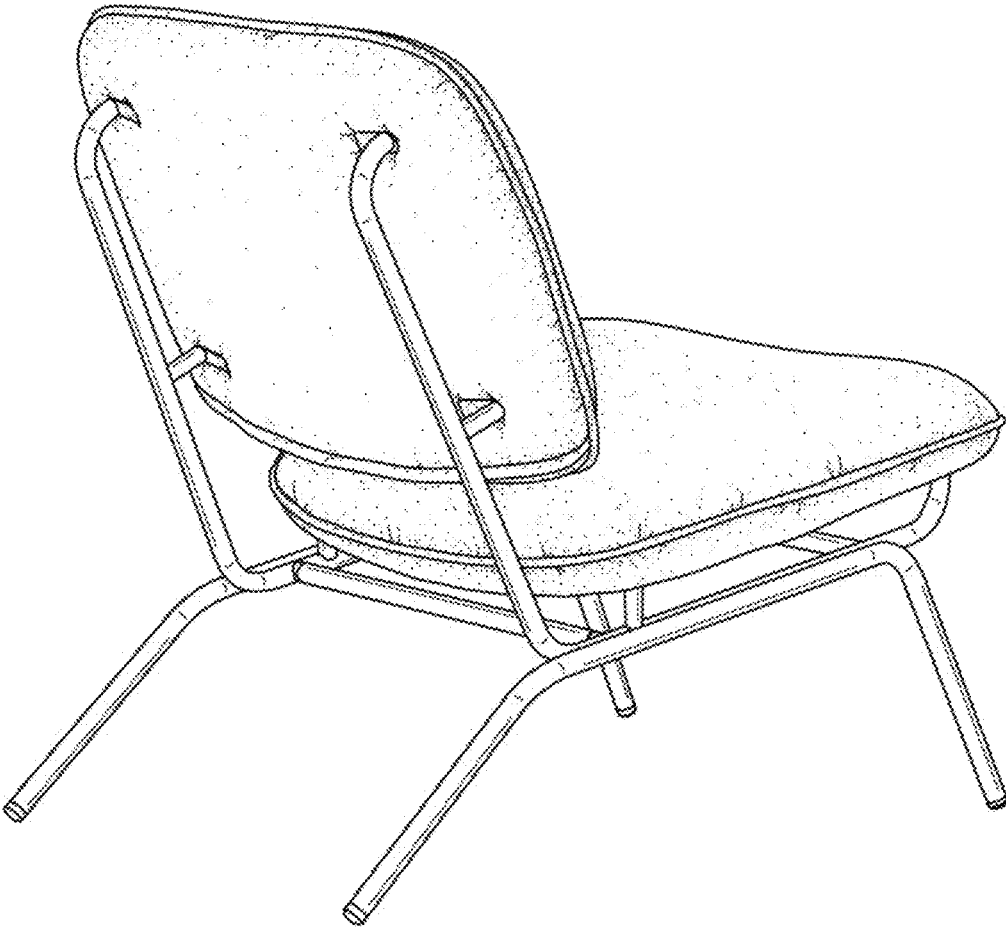


FIG.8