



US0D1036969S

(12) **United States Design Patent**  
**Tjerrild**

(10) **Patent No.:** **US D1,036,969 S**

(45) **Date of Patent:** **\*\* Jul. 30, 2024**

- (54) **WALL MOUNT ASSEMBLY**
- (71) Applicant: **Food Grade Solutions, LLC**, Fowler, CA (US)
- (72) Inventor: **James Tjerrild**, Clovis, CA (US)
- (\*\*) Term: **15 Years**
- (21) Appl. No.: **29/865,802**
- (22) Filed: **Aug. 12, 2022**
- (51) **LOC (14) Cl.** ..... **08-05**
- (52) **U.S. Cl.**  
USPC ..... **D8/354**
- (58) **Field of Classification Search**  
USPC ..... D8/349, 354, 373, 384, 385, 387, 394,  
D8/396, 397, 399  
CPC ..... A47H 1/00; A47H 1/02; A47H 1/022  
See application file for complete search history.

- D385,956 S \* 11/1997 Doughty ..... D23/259
- 5,682,678 A 11/1997 Gallagher et al.
- 5,692,864 A 12/1997 Powell et al.
- D397,607 S \* 9/1998 Lawson ..... D8/397
- D398,363 S 9/1998 Lobue
- D402,354 S \* 12/1998 Strong ..... D23/259
- 5,964,783 A 10/1999 Grafton et al.
- 5,980,174 A 11/1999 Gallagher et al.
- D452,428 S \* 12/2001 Shinjo ..... D8/397
- 6,361,258 B1 3/2002 Heesch

(Continued)

**OTHER PUBLICATIONS**

Elco Construction, General Information: Fab-Lok, 2021, 2 pages.  
(Continued)

*Primary Examiner* — Keli L Hill  
*Assistant Examiner* — Harold E Blackwell, II  
(74) *Attorney, Agent, or Firm* — Neal, Gerber & Eisenberg LLP

(56) **References Cited**

**U.S. PATENT DOCUMENTS**

- 784,845 A 3/1905 Evans
- 1,705,086 A 3/1929 Ferguson
- 1,835,243 A 12/1931 Schaffert
- 2,018,251 A 10/1935 Frederick
- 2,150,080 A 3/1939 Joseph
- 3,662,644 A 5/1972 Flesch et al.
- 3,667,340 A 6/1972 Black et al.
- 3,711,138 A 1/1973 Davis
- D245,572 S \* 8/1977 Ono ..... D8/397
- 4,059,980 A 11/1977 Nance
- 4,074,608 A 2/1978 Siebol
- 4,856,951 A 8/1989 Blucher et al.
- D309,857 S \* 8/1990 Fenton ..... D8/367
- D313,344 S 1/1991 Tritle
- 5,339,593 A 8/1994 Ludwig et al.
- D363,778 S \* 10/1995 Cane ..... D24/129
- D367,468 S \* 2/1996 Nakamura ..... D13/154
- D368,304 S \* 3/1996 Morrison ..... D23/262
- 5,573,548 A 11/1996 Nazre et al.
- D381,892 S 8/1997 Porter

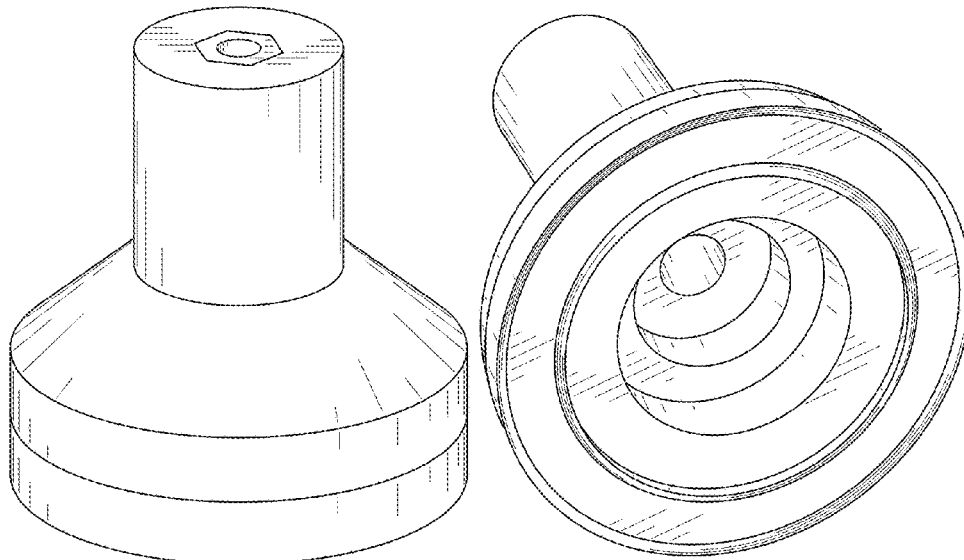
(57) **CLAIM**

The ornamental design of a wall mount assembly, as shown and described.

**DESCRIPTION**

FIG. 1 is an upper elevated perspective view of my new design;  
FIG. 2 is a front view of thereof, the rear view being a mirror image of the front view;  
FIG. 3 is a left side view of thereof, the right side view being a mirror image of the right side;  
FIG. 4 is a top plan view of thereof;  
FIG. 5 is a bottom plan view of thereof;  
FIG. 6 is an underside perspective view of the assembly; and,  
FIG. 7 is a longitudinal cross-section taken in the direction of line 7-7 as seen in FIGS. 4 and 5.

**1 Claim, 5 Drawing Sheets**



(56)

References Cited

U.S. PATENT DOCUMENTS

D462,256	S *	9/2002	Jaynes	D8/382	D907,473	S *	1/2021	Bailey	D8/382
6,635,058	B2	10/2003	Beyar et al.		D927,655	S *	8/2021	Coronado	D23/269
6,679,661	B2	1/2004	Huang		D930,053	S *	9/2021	Suchman	D15/122
6,702,534	B2	3/2004	Filipp		D939,948	S *	1/2022	Cronje	D8/399
D594,735	S *	6/2009	Hofer	D8/349	D945,862	S *	3/2022	McClure	F16B 19/1081
7,651,056	B2	1/2010	Tjerrild						D8/354
D616,966	S *	6/2010	Angell	D23/262	D995,273	S *	8/2023	Yu	D8/373
7,727,235	B2	6/2010	Contiliano et al.		2002/0173822	A1	11/2002	Justin et al.	
D632,553	S *	2/2011	South	D8/384	2004/0208721	A1	10/2004	Kuenzel	
7,926,766	B2	4/2011	Tjerrild		2004/0253075	A1	12/2004	Liebig et al.	
7,931,242	B2	4/2011	Tjerrild		2005/0169726	A1*	8/2005	McClure	F16B 37/043
7,934,895	B2	5/2011	Ernst et al.						411/55
7,985,040	B2	7/2011	Cao		2006/0178246	A1	8/2006	Tjerrild	
8,057,147	B2	11/2011	Ernst et al.		2006/0186278	A1	8/2006	Tjerrild	
8,112,864	B2	2/2012	Vincent		2008/0124188	A1	5/2008	Chang et al.	
D657,848	S *	4/2012	Howson	D23/261	2009/0022564	A1	1/2009	Summerfield	
8,448,910	B2	5/2013	Ernst et al.		2009/0090820	A1	4/2009	Tjerrild	
8,511,035	B2	8/2013	Zimmer et al.		2010/0084519	A1	4/2010	Tjerrild	
D693,209	S *	11/2013	Walker	D8/376	2011/0117355	A1	5/2011	Selle	
D703,524	S *	4/2014	Sakoda	D8/397	2011/0163208	A1	7/2011	Tjerrild	
8,740,527	B2	6/2014	Cheng		2012/0183371	A1	7/2012	Druschel et al.	
8,832,920	B2	9/2014	Goldberg		2013/0269170	A1	10/2013	Goldberg	
8,925,172	B2	1/2015	English		2014/0017026	A1	1/2014	Cheng	
D728,758	S *	5/2015	Coronado	D23/269	2014/0327239	A1*	11/2014	Stanley	F16L 21/00
D741,700	S *	10/2015	Mock	F16C 35/02					285/422
				D8/396	2015/0023760	A1	1/2015	Bove et al.	
9,291,188	B2	3/2016	English		2015/0117979	A1	4/2015	Anderson	
D792,637	S *	7/2017	Godlewski	D26/118	2015/0176624	A1	6/2015	Bosco	
9,822,907	B1	11/2017	Hennon		2015/0313659	A1	11/2015	Miyawaki et al.	
D815,516	S *	4/2018	Karmarkar	D8/382	2022/0053959	A1*	2/2022	Cooler	E06B 9/24
D816,469	S	5/2018	Toomey						
9,958,000	B2	5/2018	Chang						
D823,101	S *	7/2018	Wassdahl	D8/382					
D836,755	S *	12/2018	Dale	D23/259					
D837,041	S *	1/2019	Barnes	D8/382					
D843,200	S	3/2019	Tjerrild						
10,743,700	B1*	8/2020	Sayed	A47H 1/142					
10,746,216	B2	8/2020	Tjerrild						

OTHER PUBLICATIONS

Elco Construction, Fab-Lok® Bolt & Sleeve Fasteners, 2011, 1 page.  
 Rocket Rack, "Rocket Rack® Custom Products", 2019, [retrieved on May 5, 2022], Retrieved from <https://rocket-rack.com/products/special-fabrications/> (5 pages).

\* cited by examiner

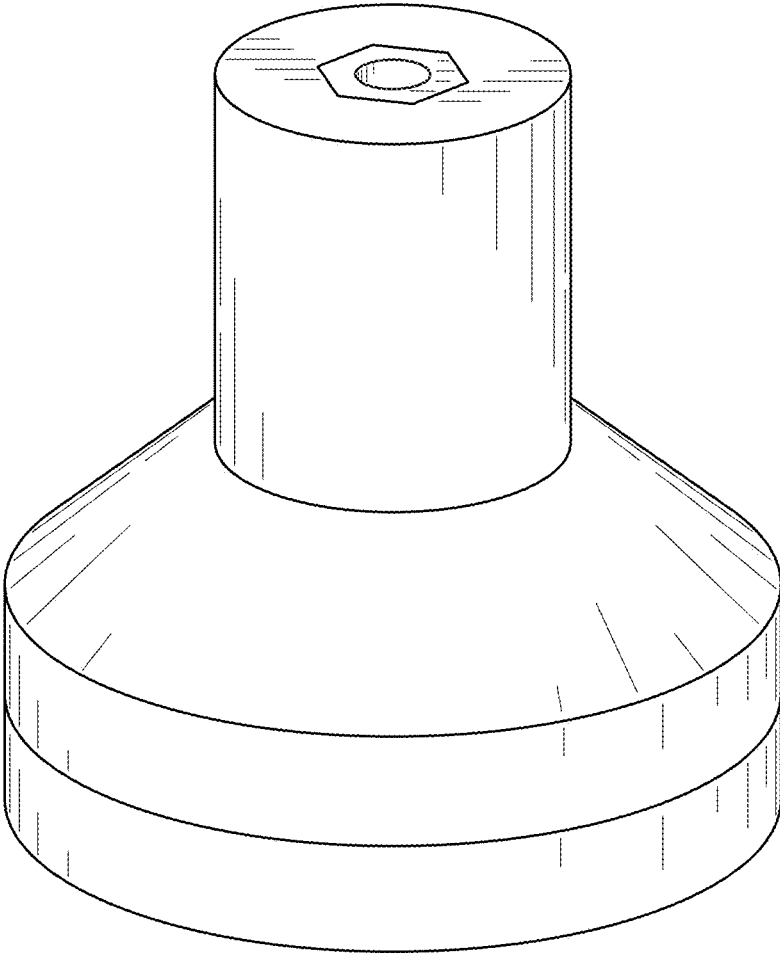


FIG. 1

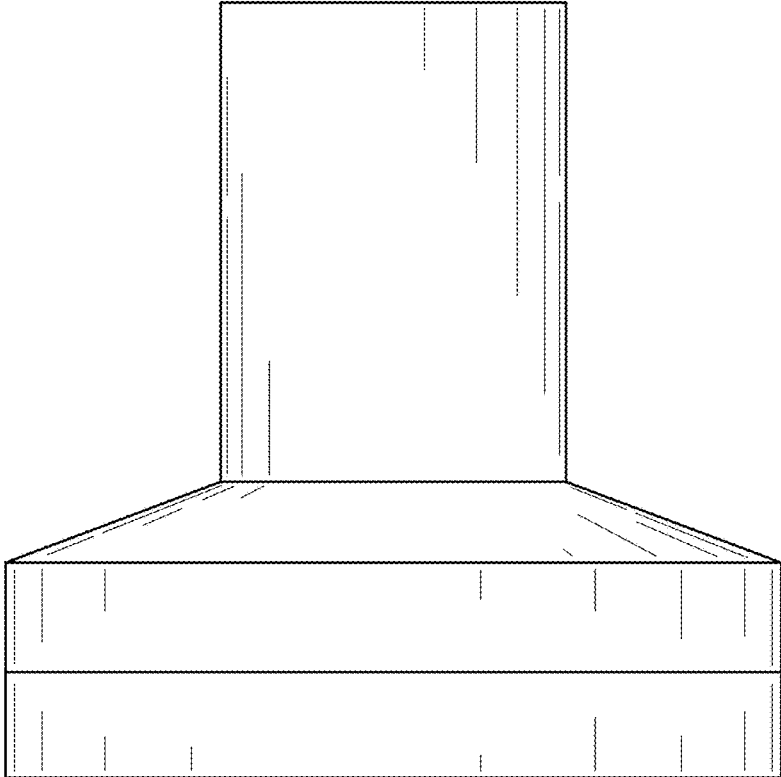


FIG. 2

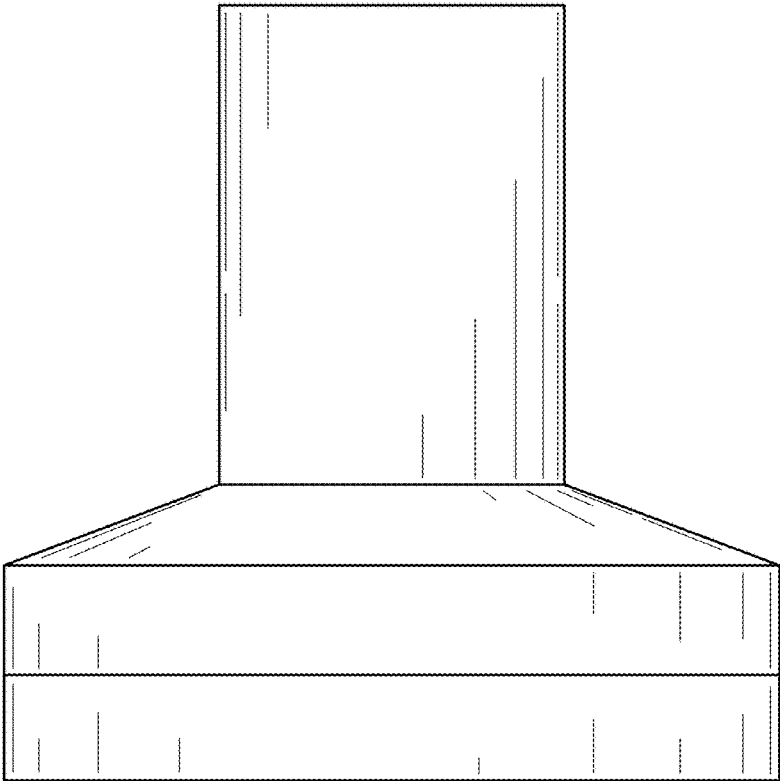


FIG. 3

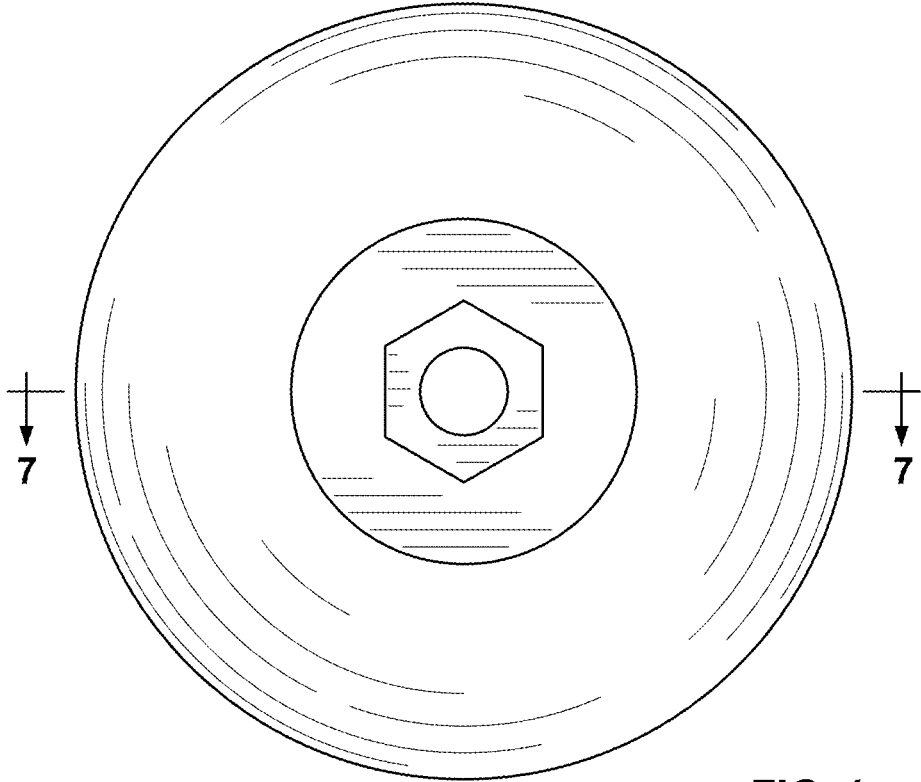


FIG. 4

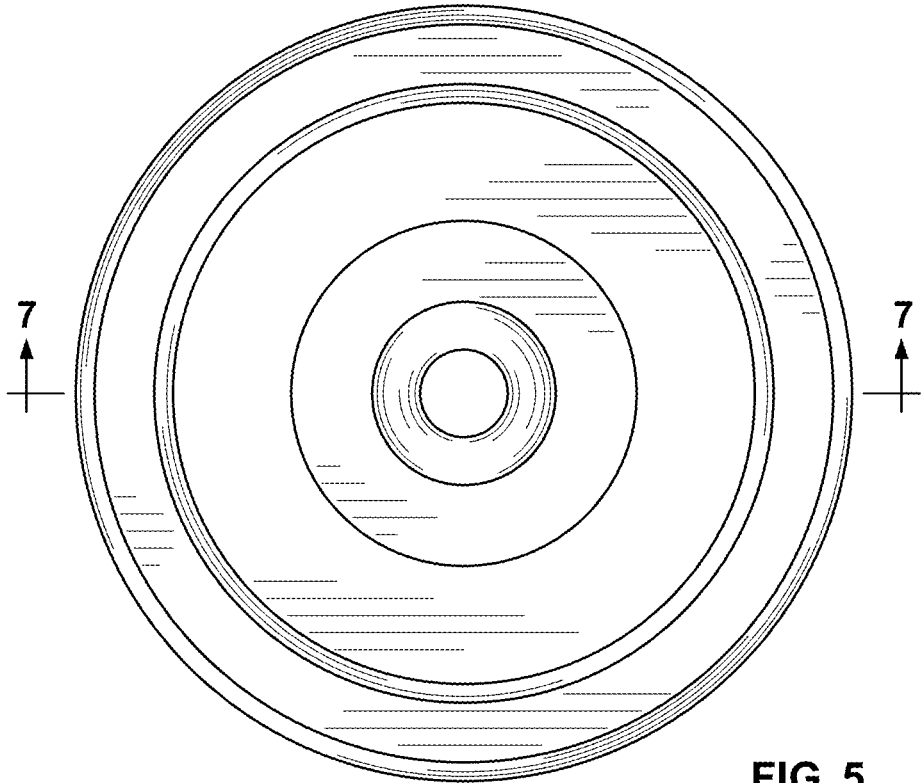


FIG. 5

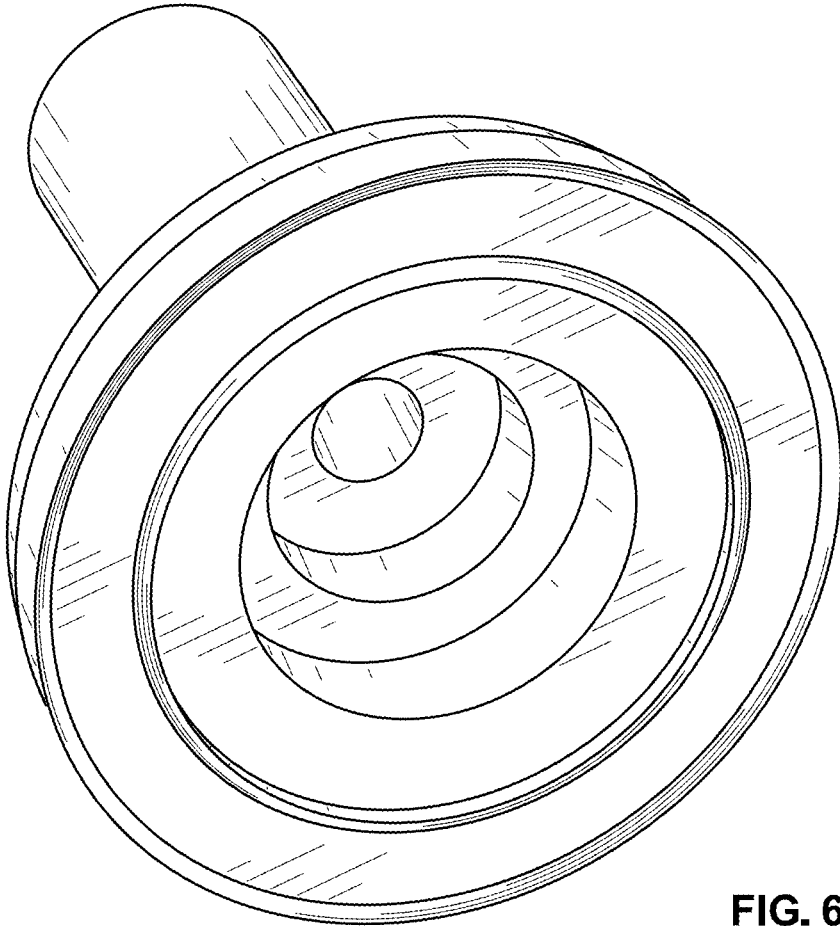


FIG. 6

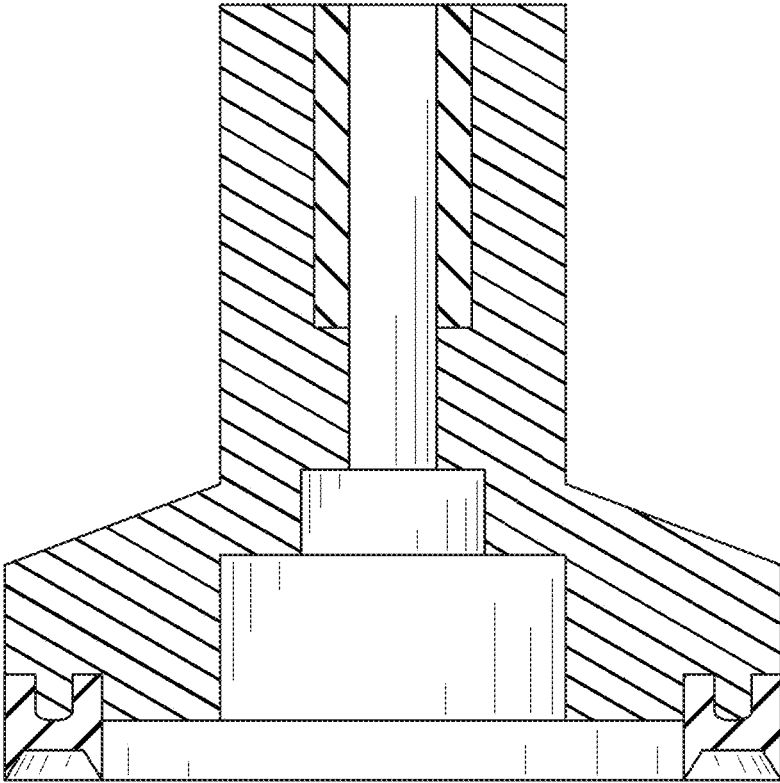


FIG. 7