



US00D660129S

(12) **United States Design Patent**  
**Genord et al.**

(10) **Patent No.:** **US D660,129 S**

(45) **Date of Patent:** **\*\* May 22, 2012**

(54) **DOOR LOCK**

(75) Inventors: **Daniel Genord**, South Lyon, MI (US);  
**Curtis J. Bailey**, Birmingham, MI (US);  
**James M. Stenz**, Fenton, MI (US);  
**Joshua Rigg**, Clarkson, MI (US); **David**  
**J. Wilson**, Kimball, MI (US)

(73) Assignee: **Schlage Lock Company**, Carmel, IN  
(US)

(\*\*) Term: **14 Years**

(21) Appl. No.: **29/367,709**

(22) Filed: **Aug. 12, 2010**

(51) **LOC (9) Cl.** ..... **08-07**

(52) **U.S. Cl.** ..... **D8/330**

(58) **Field of Classification Search** ..... D8/330,  
D8/331, 334, 300, 301; 70/14, 20–22, 57,  
70/57.1, 284–286, 314, DIG. 44

See application file for complete search history.

(56) **References Cited**

**U.S. PATENT DOCUMENTS**

5,475,996	A	*	12/1995	Chen	.....	70/279.1
D552,967	S	*	10/2007	Roberts et al.	.....	D8/350
D570,188	S	*	6/2008	Luo	.....	D8/330
D576,016	S	*	9/2008	Min	.....	D8/330
D581,246	S	*	11/2008	Conway	.....	D8/330
D593,399	S	*	6/2009	Douglas et al.	.....	D8/350
D595,109	S	*	6/2009	Doucet et al.	.....	D8/331
7,540,177	B1	*	6/2009	Luo	.....	70/278.1
D607,303	S	*	1/2010	Kim et al.	.....	D8/331
D639,135	S	*	6/2011	Doucet et al.	.....	D8/330

**OTHER PUBLICATIONS**

Ingersoll Rand Security Technologies, Schlage AD Series Products,  
accessed Feb. 2, 2010.

Ingersoll Rand Security Technologies, Schlage AD-200 Offline Elec-  
tronic Lock, accessed Feb. 2, 2010.  
Ingersoll Rand Security Technologies, Schlage AD-250 Offline Elec-  
tronic Lock, accessed Feb. 2, 2010.  
Ingersoll Rand Security Technologies, Schlage AD-300 Hardwired  
Electronic Lock, accessed Feb. 2, 2010.  
Ingersoll Rand Security Technologies, Schlage AD-400 Wireless  
Electronic Lock, accessed Feb. 2, 2010.  
Ingersoll Rand Security Technologies AD-Series Product Tour Bro-  
chure, dated Feb. 2, 2010.  
Ingersoll Rand Security Technologies AD-200 Offline Electronic  
Lock Brochure, dated Sep. 1, 2009.  
Ingersoll Rand Security Technologies AD-250 Offline Electronic  
Lock Brochure, dated Sep. 1, 2009.  
Ingersoll Rand Security Technologies AD-300 Hardwired Electronic  
Lock Brochure, dated Sep. 1, 2009.  
Ingersoll Rand Security Technologies AD-400 Wireless Electronic  
Lock Brochure, dated Sep. 1, 2009.

\* cited by examiner

*Primary Examiner* — Prabhakar Deshmukh

(74) *Attorney, Agent, or Firm* — Michael, Best & Friedrich  
LLP

(57) **CLAIM**

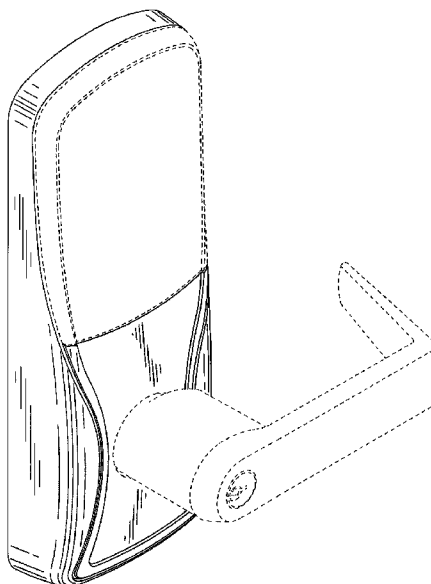
We claim the ornamental design for a door lock, as shown and  
described.

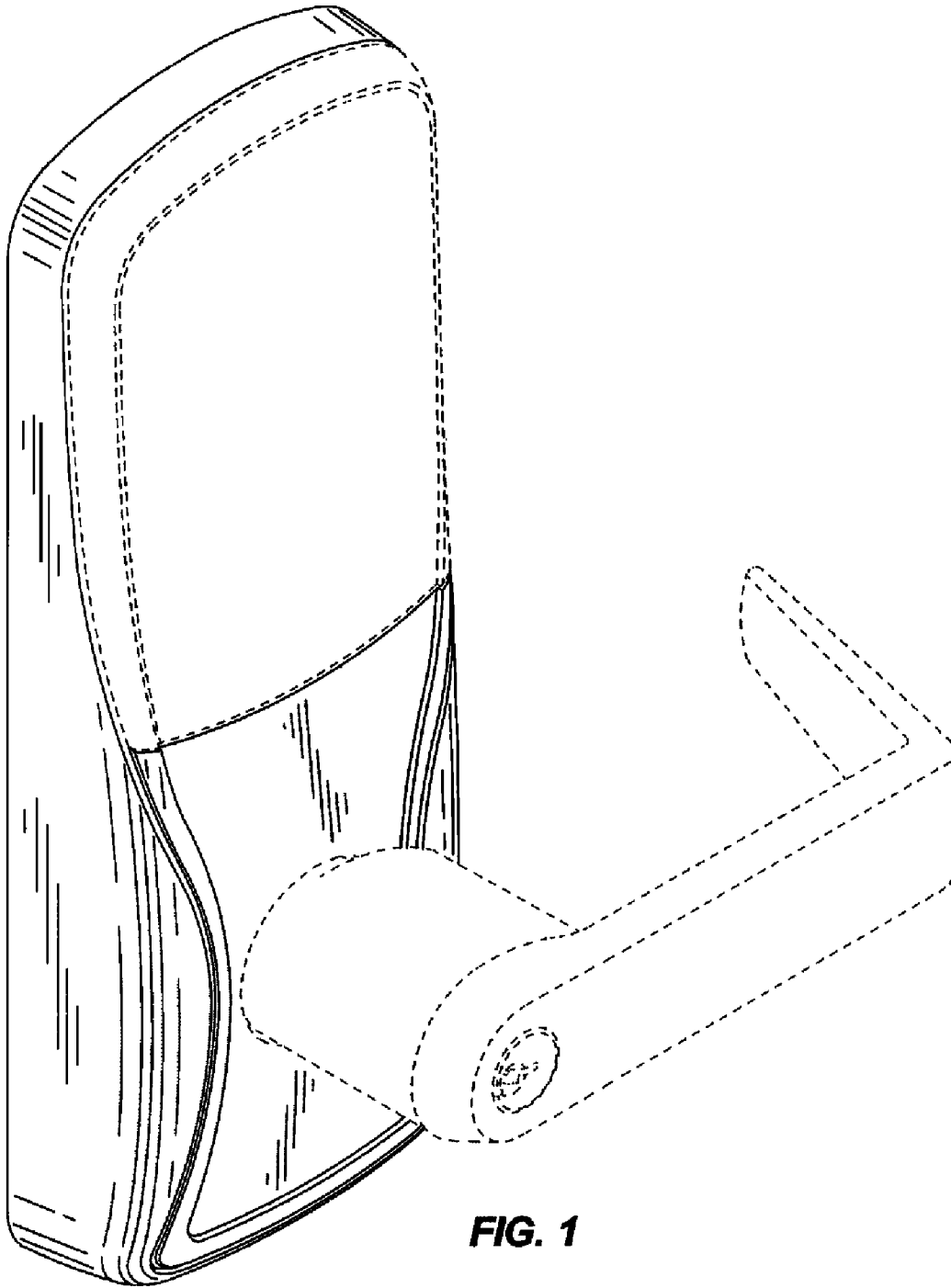
**DESCRIPTION**

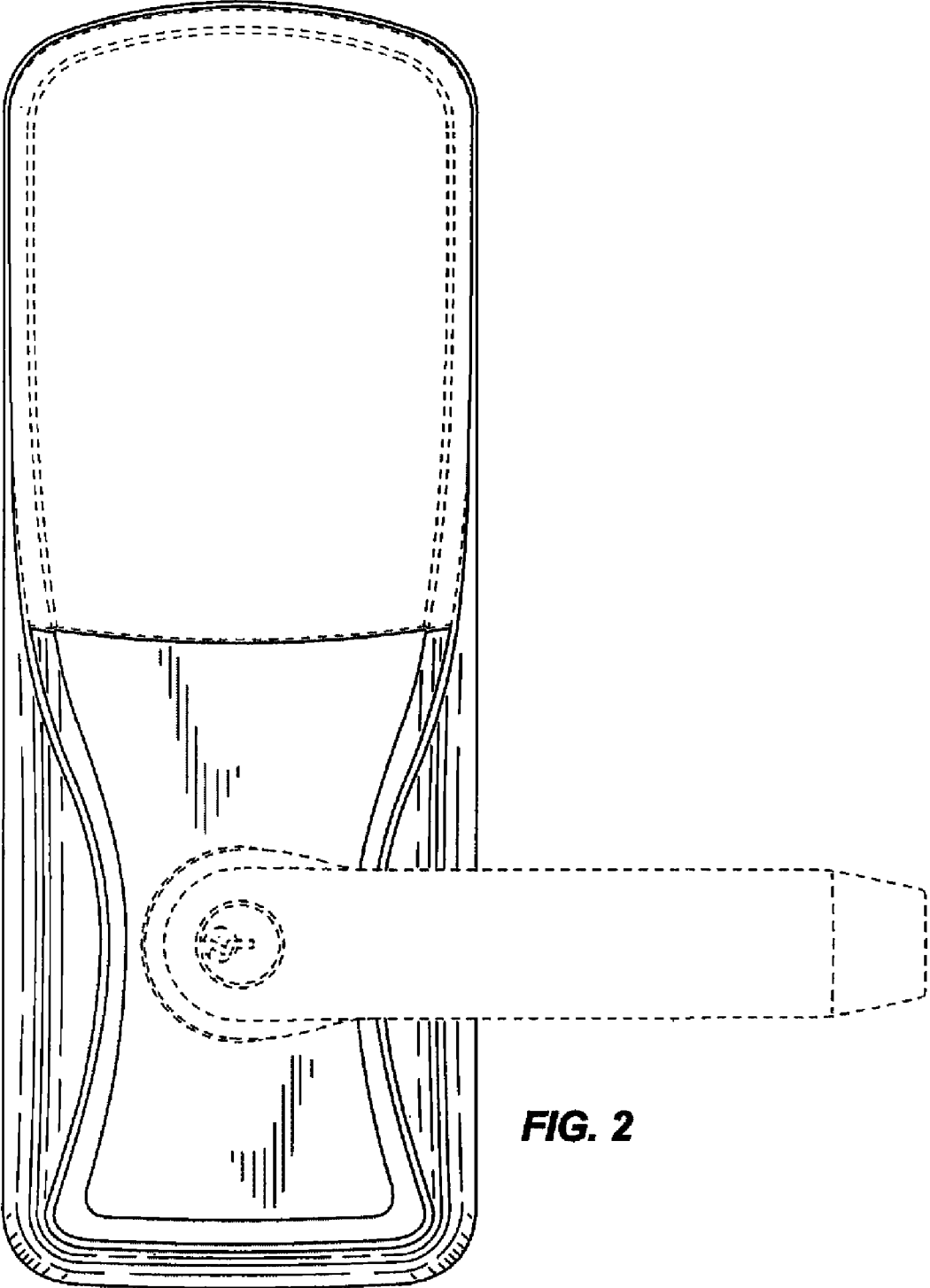
FIG. 1 is a perspective view of a door lock showing our new  
design;  
FIG. 2 is a front elevational view thereof;  
FIG. 3 is a right side elevational view thereof;  
FIG. 4 is a left side elevational view thereof;  
FIG. 5 is a bottom plan view thereof; and,  
FIG. 6 is a top plan view thereof.

The broken lines are included for the purpose of illustrating  
environment and form no part of the claimed design.

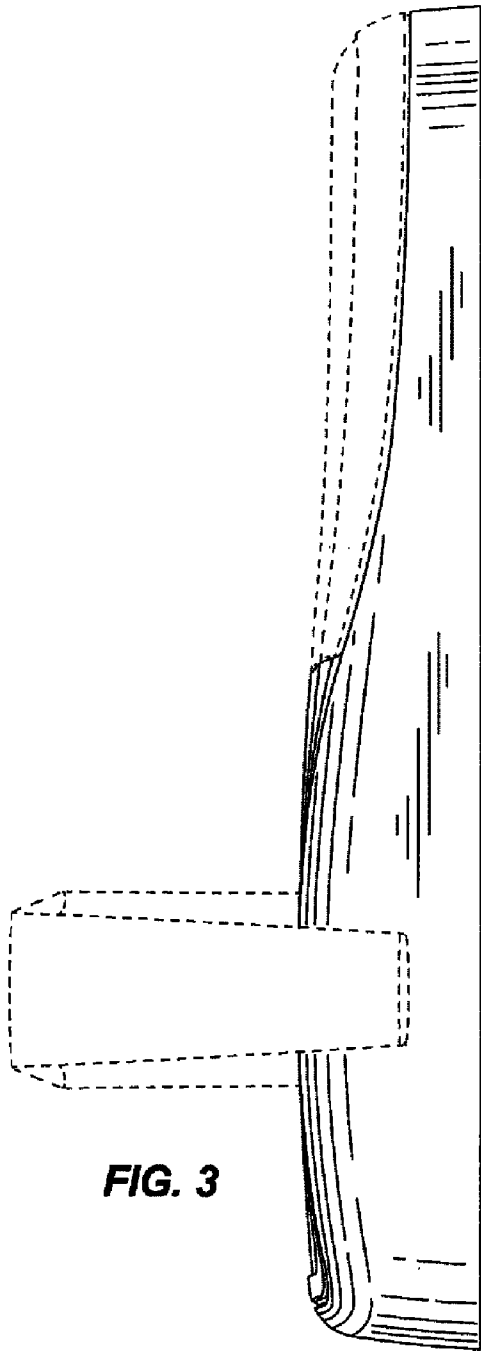
**1 Claim, 4 Drawing Sheets**



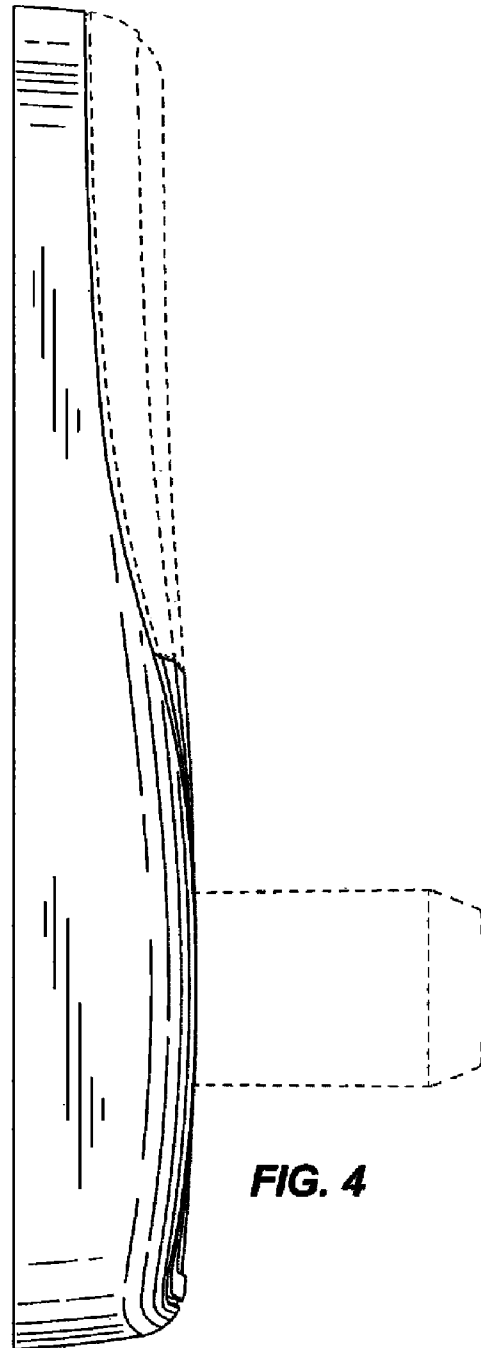




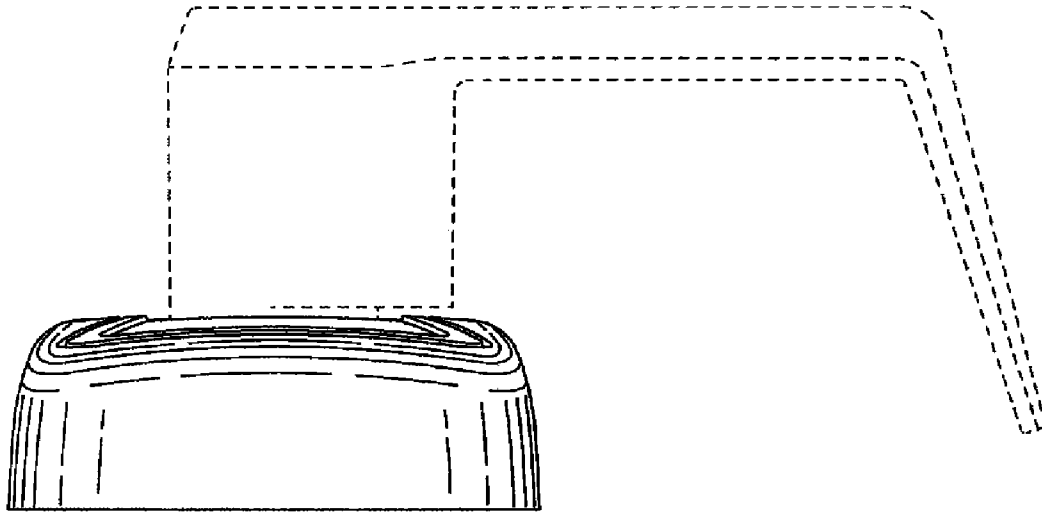
**FIG. 2**



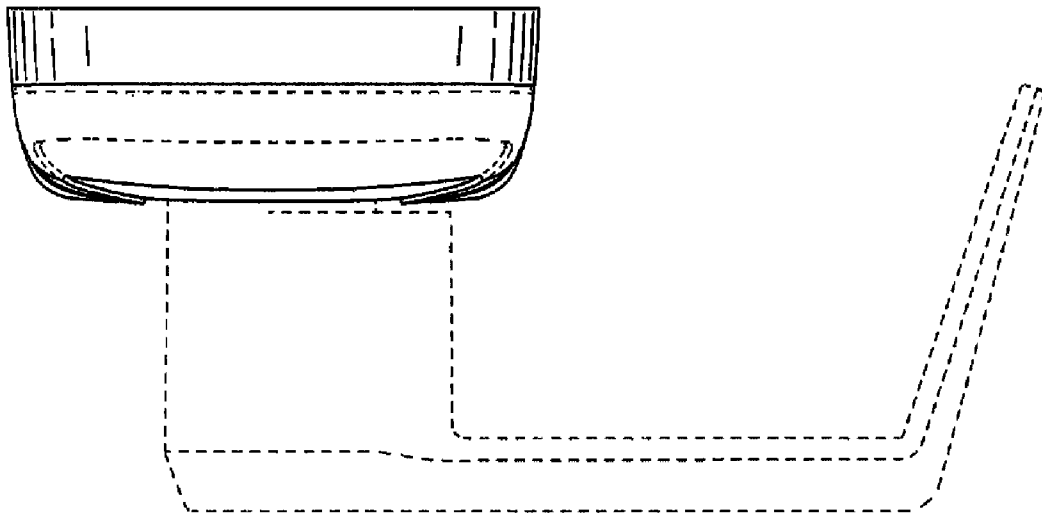
**FIG. 3**



**FIG. 4**



**FIG. 5**



**FIG. 6**