



US00D883288S

(12) **United States Design Patent**  
**Zhan**

(10) **Patent No.:** **US D883,288 S**

(45) **Date of Patent:** **\*\* May 5, 2020**

(54) **USB TYPE-C HUB**

(71) Applicant: **Qingqing Zhan**, Longyan (CN)

(72) Inventor: **Qingqing Zhan**, Longyan (CN)

(\*\*) Term: **15 Years**

(21) Appl. No.: **29/628,401**

(22) Filed: **Dec. 5, 2017**

(51) **LOC (12) Cl.** ..... **14-02**

(52) **U.S. Cl.**  
USPC ..... **D14/433**

(58) **Field of Classification Search**  
USPC ..... D14/356-357, 432-434, 435.1, 438;  
D13/103, 107, 108, 110, 123, 133, 139.7,  
D13/147

CPC ..... H01R 25/00; H01R 25/003; H01R 27/00;  
H01R 31/06; H01R 31/065; G06F  
1/1632; G06F 9/541; G06F 2213/40;  
G06F 2213/4004

See application file for complete search history.

(56) **References Cited**

**U.S. PATENT DOCUMENTS**

|          |   |   |         |           |       |           |
|----------|---|---|---------|-----------|-------|-----------|
| D755,790 | S | * | 5/2016  | Salvatori | ..... | D14/433   |
| D775,414 | S | * | 12/2016 | Ampolini  | ..... | D13/108   |
| D788,112 | S | * | 5/2017  | Liao      | ..... | D14/433   |
| D791,138 | S | * | 7/2017  | Eliyahu   | ..... | D14/435.1 |
| D798,301 | S | * | 9/2017  | Kujawski  | ..... | D14/433   |
| D809,793 | S | * | 2/2018  | Hahn      | ..... | D3/249    |
| D822,598 | S | * | 7/2018  | Warren    | ..... | D13/108   |
| D828,841 | S | * | 9/2018  | Zhang     | ..... | D14/433   |
| D841,007 | S | * | 2/2019  | Xie       | ..... | D14/433   |
| D847,139 | S | * | 4/2019  | Wang      | ..... | D14/433   |
| D853,396 | S | * | 7/2019  | Kong      | ..... | D14/434   |
| D853,397 | S | * | 7/2019  | Wang      | ..... | D14/435.1 |
| D854,018 | S | * | 7/2019  | Liao      | ..... | D14/434   |
| D854,020 | S | * | 7/2019  | Liao      | ..... | D14/434   |
| D855,054 | S | * | 7/2019  | Turksu    | ..... | D14/433   |
| D856,278 | S | * | 8/2019  | Turksu    | ..... | D13/108   |
| D862,385 | S | * | 10/2019 | Turksu    | ..... | D13/108   |

|              |    |   |         |        |       |             |
|--------------|----|---|---------|--------|-------|-------------|
| D863,310     | S  | * | 10/2019 | Liao   | ..... | D14/433     |
| D864,206     | S  | * | 10/2019 | Wang   | ..... | D14/433     |
| D865,676     | S  | * | 11/2019 | Liao   | ..... | D13/147     |
| D866,557     | S  | * | 11/2019 | Xiong  | ..... | D14/433     |
| D867,367     | S  | * | 11/2019 | Wang   | ..... | D14/433     |
| D868,784     | S  | * | 12/2019 | Turksu | ..... | D14/385     |
| 2018/0165053 | A1 | * | 6/2018  | Kuo    | ..... | G06F 3/1454 |
| 2018/0198248 | A1 | * | 7/2018  | Sun    | ..... | G06F 1/1632 |

**OTHER PUBLICATIONS**

Barbosa, Greg, Review: Satechi Type-C Pro Hub, the hub Apple should have made, posted at 9to5Mac, posting date Jun. 2, 2017. Site visited Dec. 18, 2019. URL: <https://9to5mac.com/2017/06/02/review-satechi-type-c-pro-hub-the-hub-apple-should-have-made/> (Year: 2017).\*

Guy, Nick, The best USB-C adapters, cables and hubs, posted at wirecutter/engadget, posting date Oct. 6, 2017. Site visited Dec. 18, 2019. URL: <https://www.engadget.com/2017/10/06/the-best-usb-c-adapters-cables-and-hubs-for-old-accessories/> (Year: 2017).\*

\* cited by examiner

*Primary Examiner* — Kevin K Rudzinski

*Assistant Examiner* — Kathleen L Jones

(57) **CLAIM**

The ornamental design for a USB type-C hub, as shown and described.

**DESCRIPTION**

FIG. 1 is a front elevational view of a USB type-C hub showing my new design;

FIG. 2 is a rear elevational view thereof;

FIG. 3 is a left side elevational view thereof;

FIG. 4 is a right side elevational view thereof;

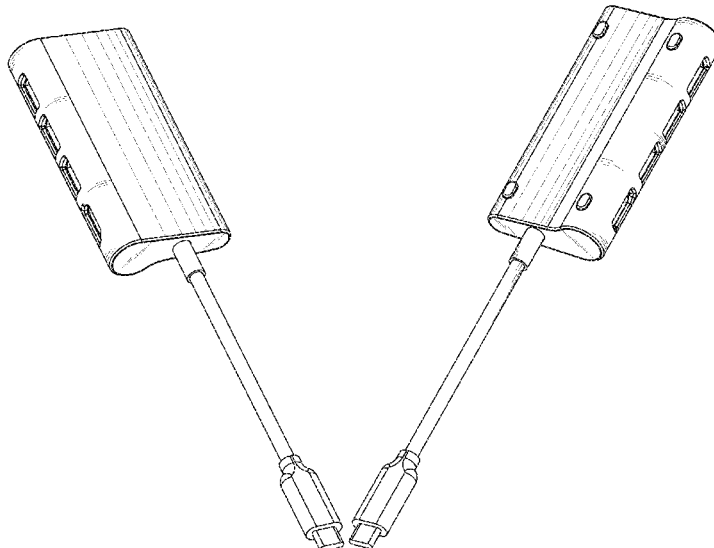
FIG. 5 is a top plan view thereof;

FIG. 6 is a bottom plan view thereof;

FIG. 7 is a front perspective view thereof; and,

FIG. 8 is a rear perspective view thereof.

**1 Claim, 7 Drawing Sheets**



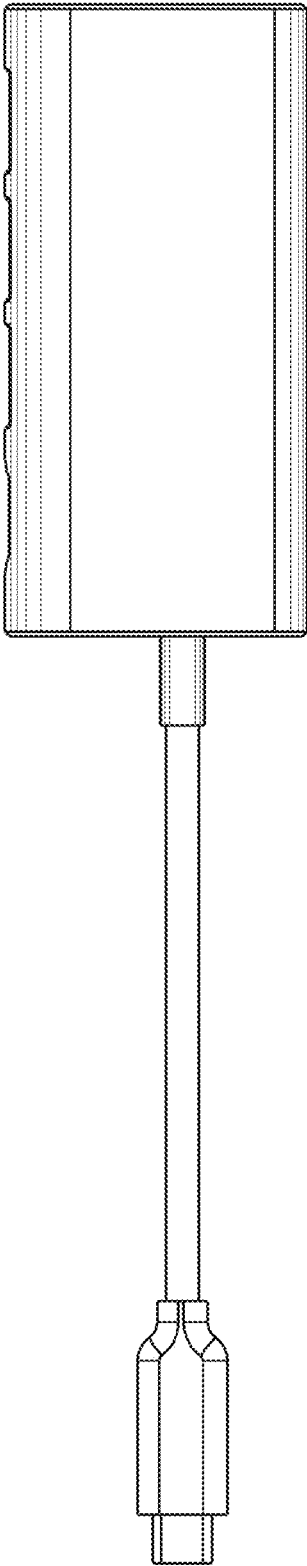


FIG.1

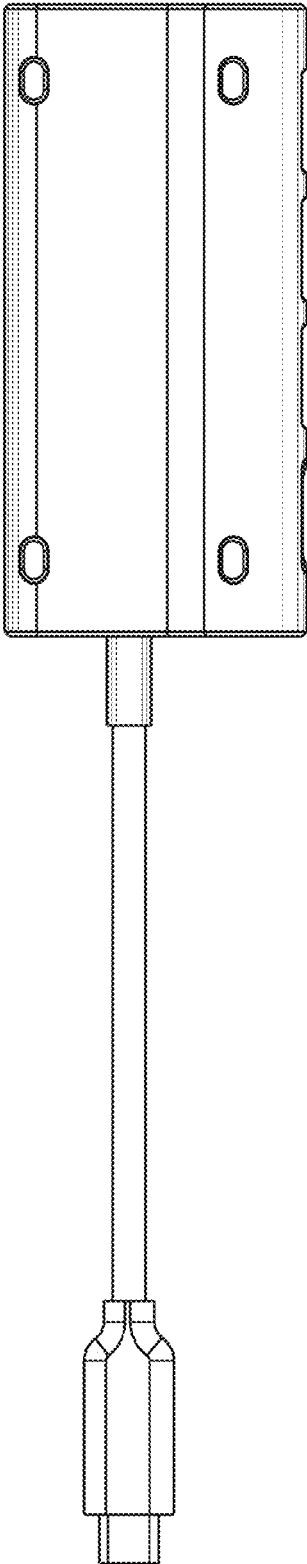


FIG.2

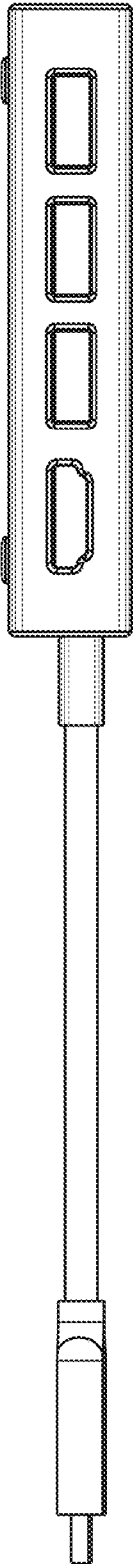


FIG.3

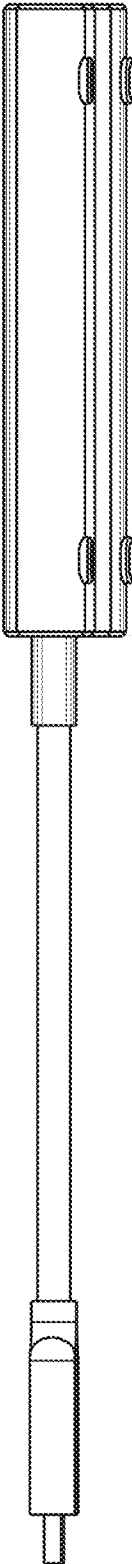


FIG.4

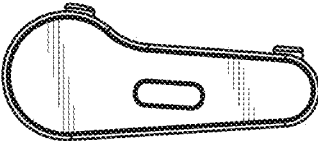


FIG.5

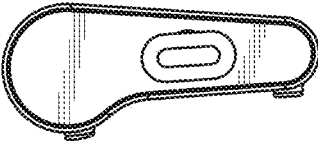


FIG.6

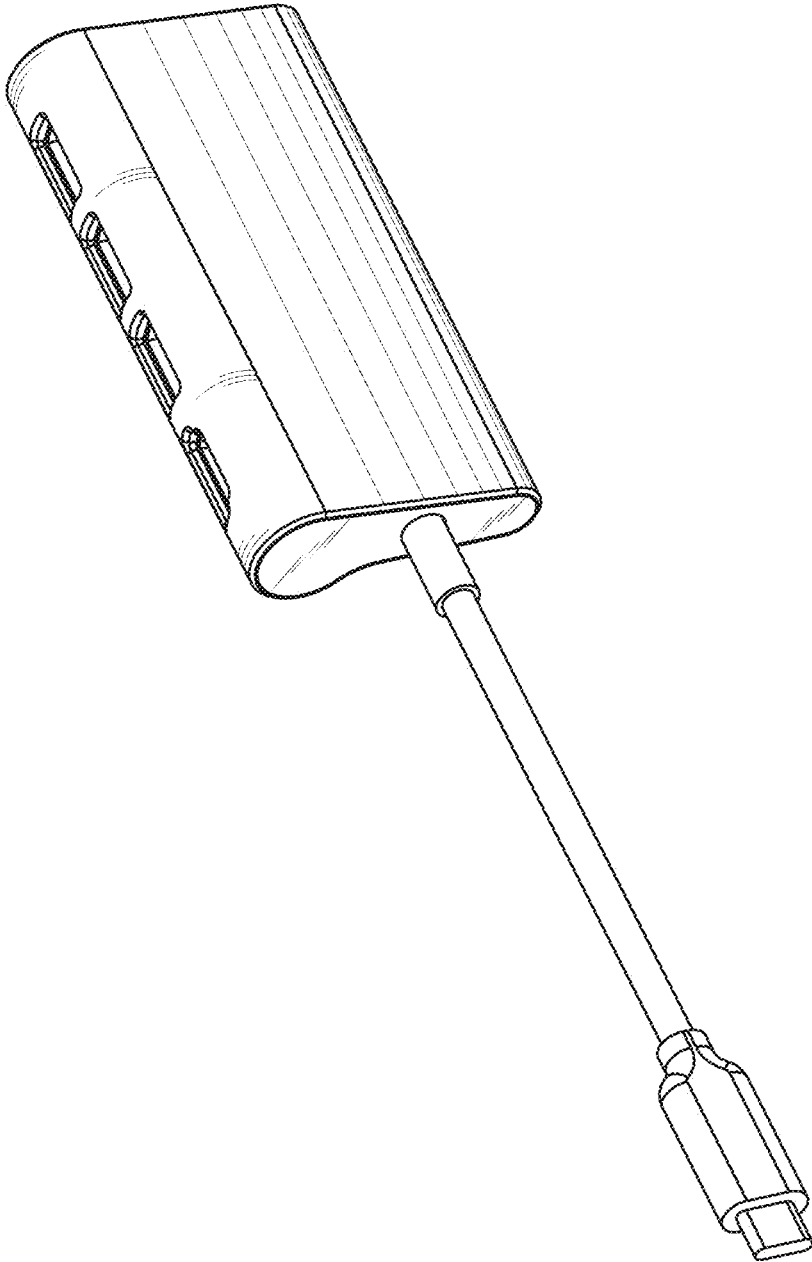


FIG.7

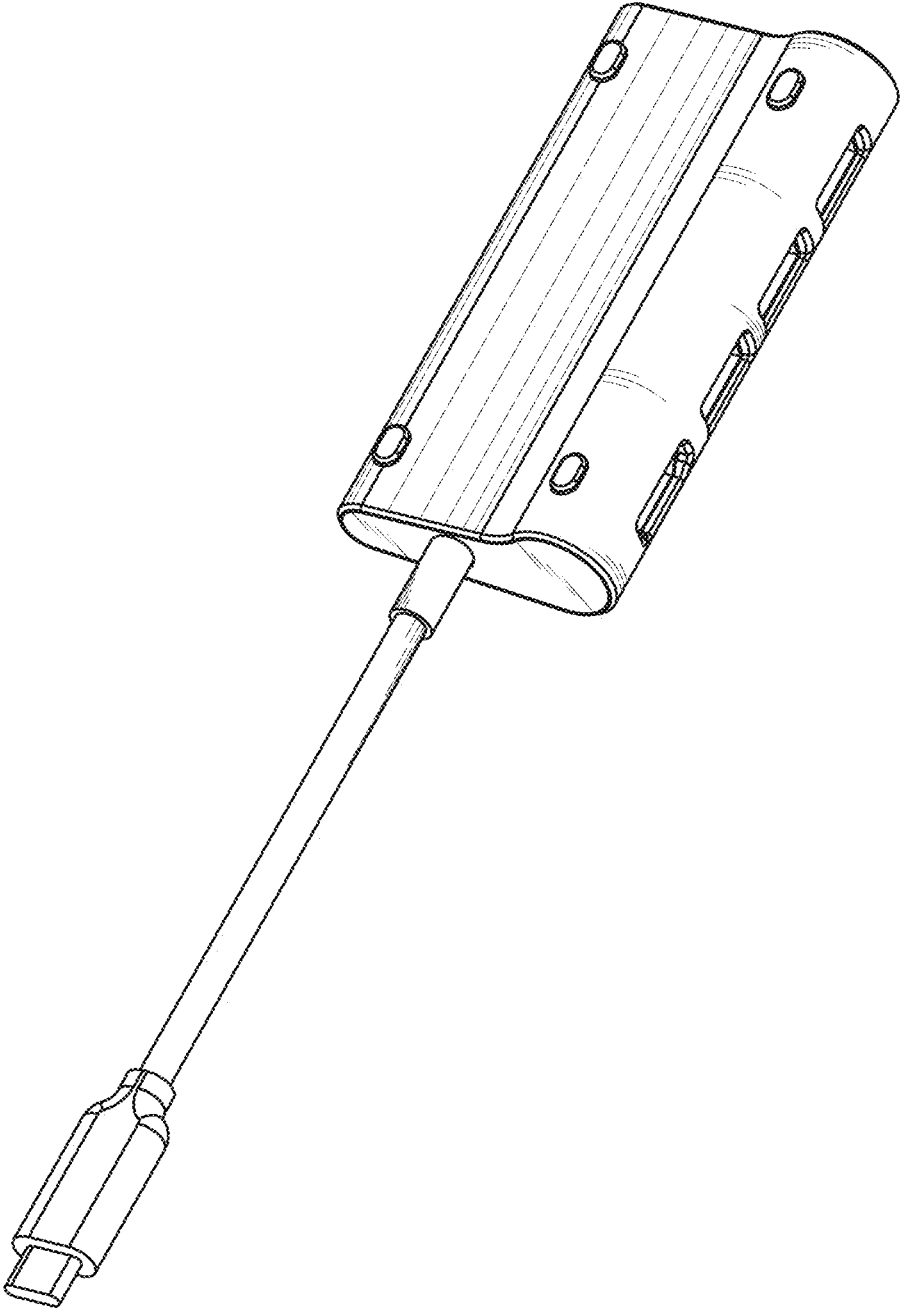


FIG.8