



US0D1004895S

(12) **United States Design Patent**
Wang

(10) **Patent No.:** **US D1,004,895 S**

(45) **Date of Patent:** **** Nov. 14, 2023**

- (54) **BASKET STAND**
- (71) Applicant: **Edifice Co., LTD**, Taipei (TW)
- (72) Inventor: **An Wen Wang**, New Taipei (TW)
- (73) Assignee: **Edifice Co., Ltd.**, Taipei (TW)
- (**) Term: **15 Years**
- (21) Appl. No.: **29/799,994**
- (22) Filed: **Jul. 19, 2021**
- (51) **LOC (14) Cl.** **12-02**
- (52) **U.S. Cl.**
USPC **D34/21**
- (58) **Field of Classification Search**
USPC D34/12, 14, 17, 19, 20–24, 27; D6/675.2
CPC B62B 1/12; B62B 3/005; B62B 3/002;
B62B 3/02; A47B 55/02; A47B 73/002
See application file for complete search history.

- D901,123 S 11/2020 Liu et al.
- D901,816 S 11/2020 Liu
- D901,817 S 11/2020 Li et al.
- D902,521 S 11/2020 Tsai
- D915,718 S 4/2021 Li
- D922,023 S 6/2021 Chen

OTHER PUBLICATIONS

Songsmic announced Mar. 14, 2018 [online], [site visited Feb. 28, 2023]. Avail from int, URL: https://www.amazon.com/SONGMICS-Lockable-Bathroom-Removable-UBSC03BK/dp/B07BFQ2NL2/ref=sr_1_6 (Year: 2018).*

* cited by examiner

Primary Examiner — Cynthia Ramirez
Assistant Examiner — Tamara L Hahn
(74) *Attorney, Agent, or Firm* — Lowe Graham Jones, PLLC

(57) **CLAIM**

I claim the ornamental design for a basket stand, as shown and described.

(56) **References Cited**

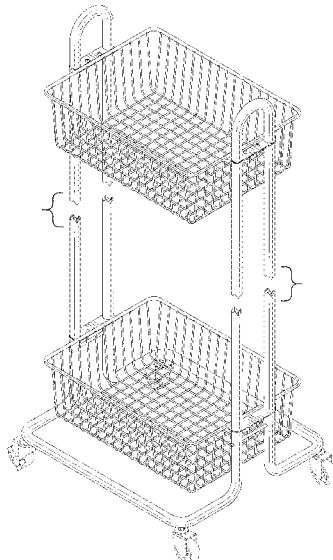
U.S. PATENT DOCUMENTS

D436,239 S	1/2001	Walsh	
D471,381 S *	3/2003	Yamaguchi	D6/675.2
D523,202 S	6/2006	Willison	
7,168,715 B1	1/2007	Friedman	
D568,635 S *	5/2008	Klein	D6/675.2
D710,064 S	7/2014	Schumaker et al.	
D756,584 S	5/2016	Dunford	
D757,387 S	5/2016	Cao	
D798,520 S	9/2017	Walter et al.	
D831,390 S	10/2018	Li	
D832,549 S	10/2018	Cao	
D839,641 S *	2/2019	Cao	D6/675.2
D846,824 S	4/2019	Cao	
D846,825 S *	4/2019	Cao	D34/21
D850,753 S	6/2019	Cao	
D852,448 S	6/2019	Hu	
D852,449 S	6/2019	Hu	
D858,928 S *	9/2019	Cao	D34/21
D899,826 S	10/2020	Cheng	

DESCRIPTION

FIG. 1 is a top front perspective view of a basket stand, showing my new design.
FIG. 2 is a front elevational view of the basket stand.
FIG. 3 is a rear elevational view of the basket stand.
FIG. 4 is a right side elevational view of the basket stand.
FIG. 5 is a left side elevational view of the basket stand.
FIG. 6 is a top plan view of the basket stand; and,
FIG. 7 is a bottom plan view of the basket stand.
The basket stand is shown with a symbolic break in its height. The appearance of any portion of the article between the break lines forms no part of the claimed design. The broken lines show portions of the article forming no part of the claimed design.

1 Claim, 6 Drawing Sheets



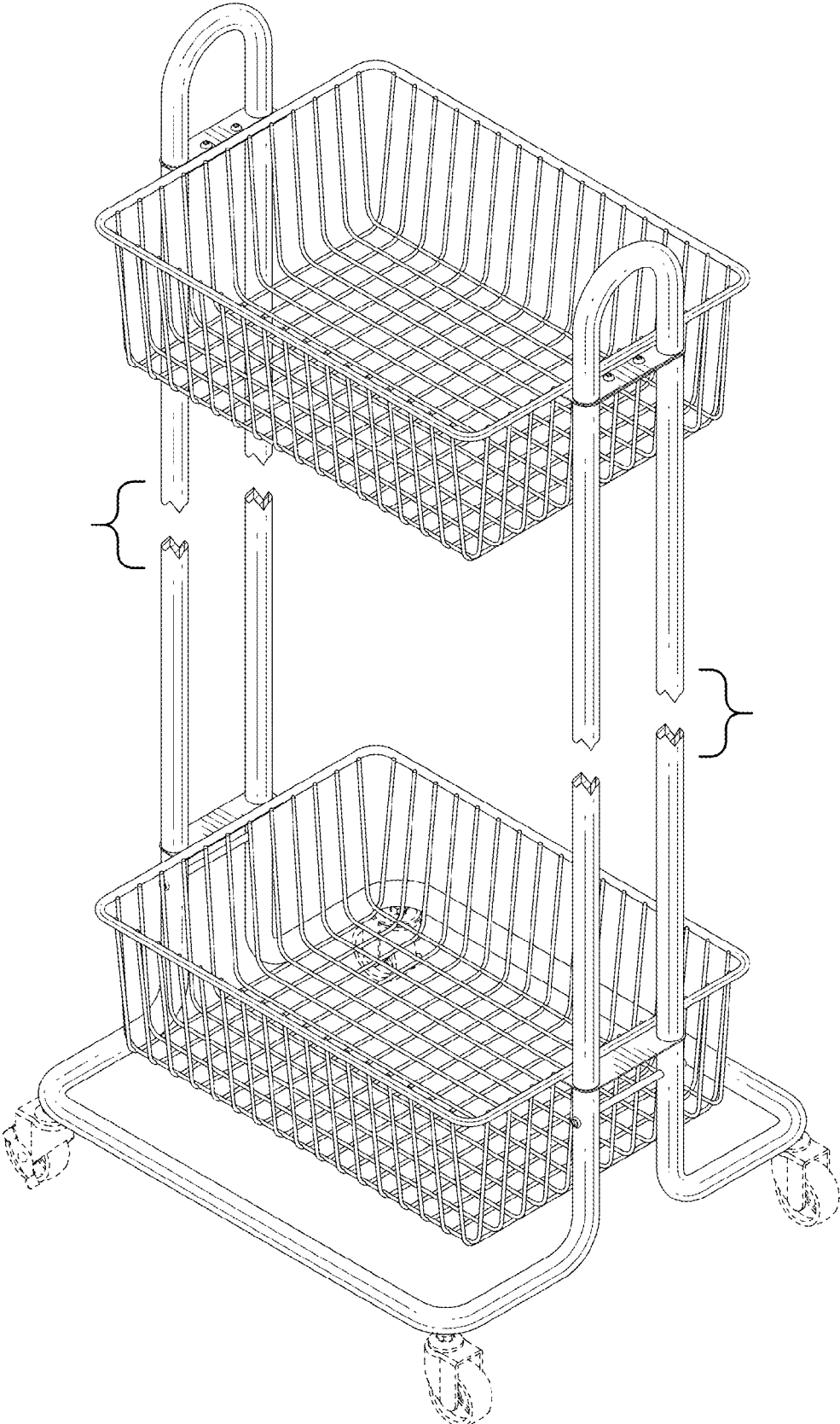


FIG. 1

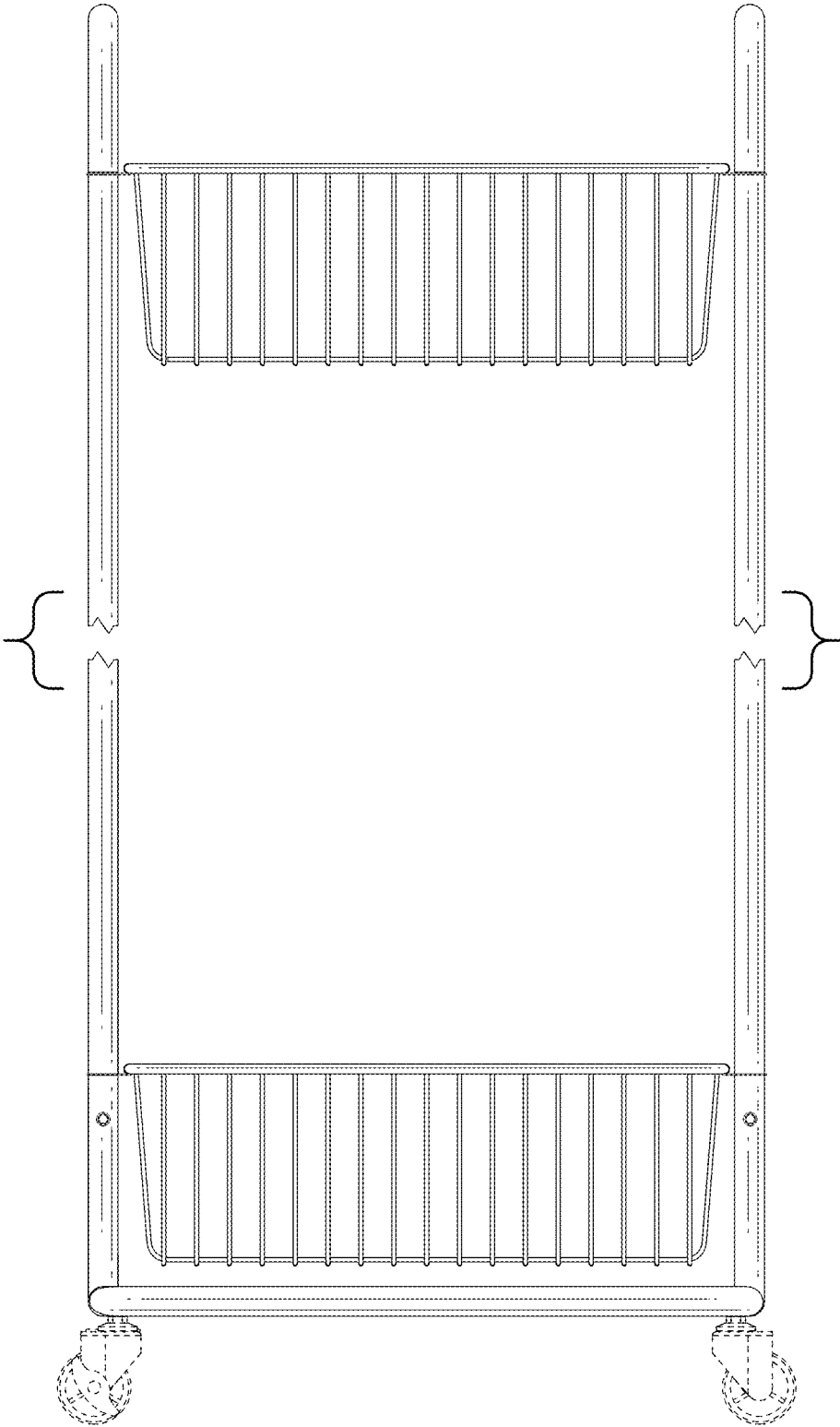


FIG.2

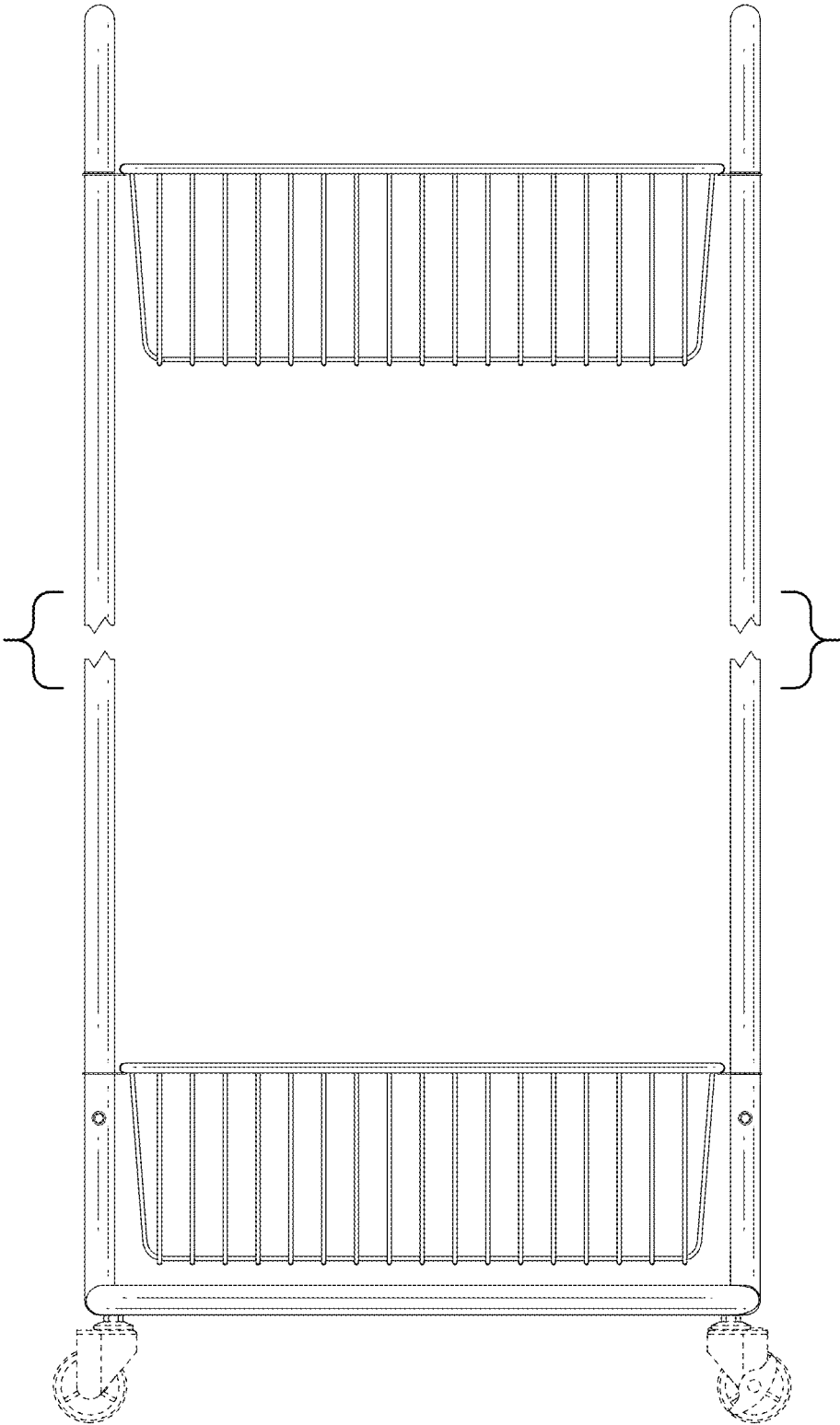


FIG.3

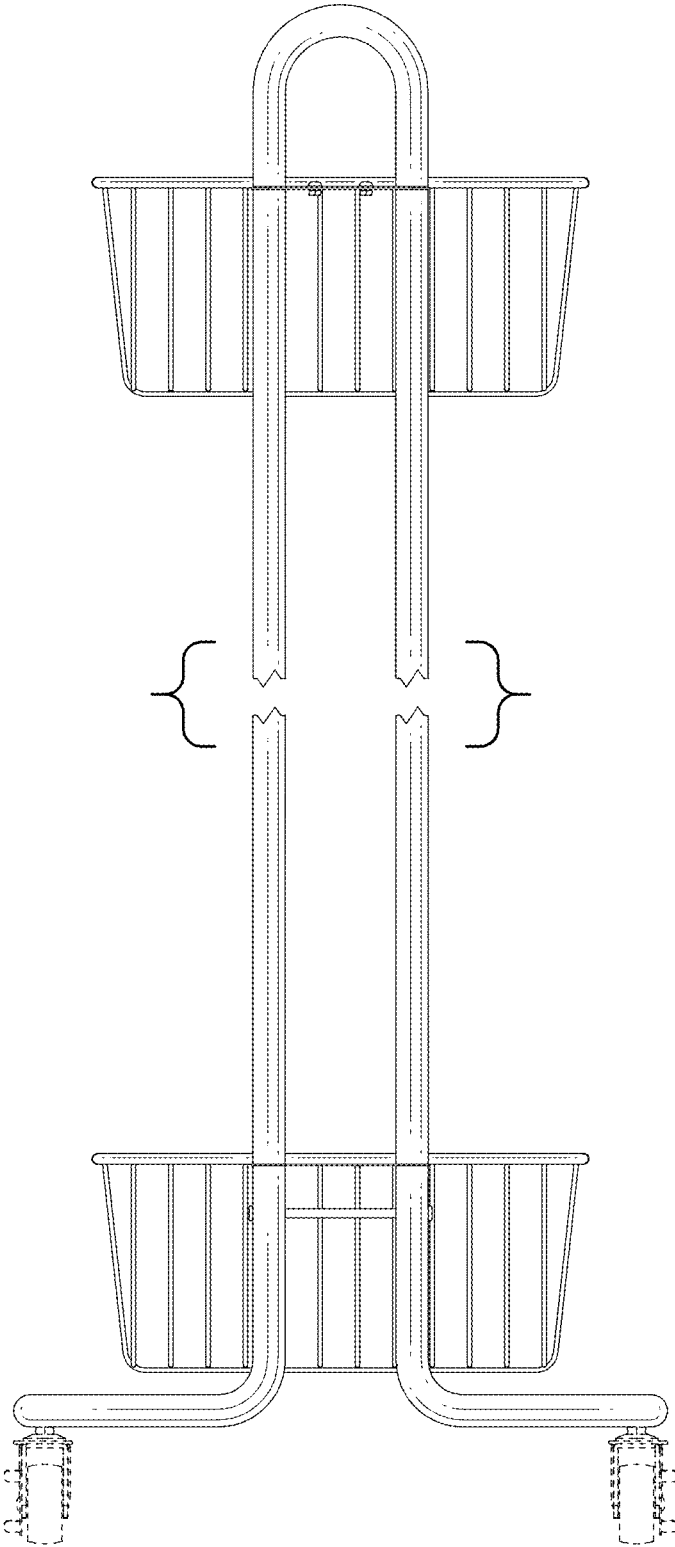


FIG. 4

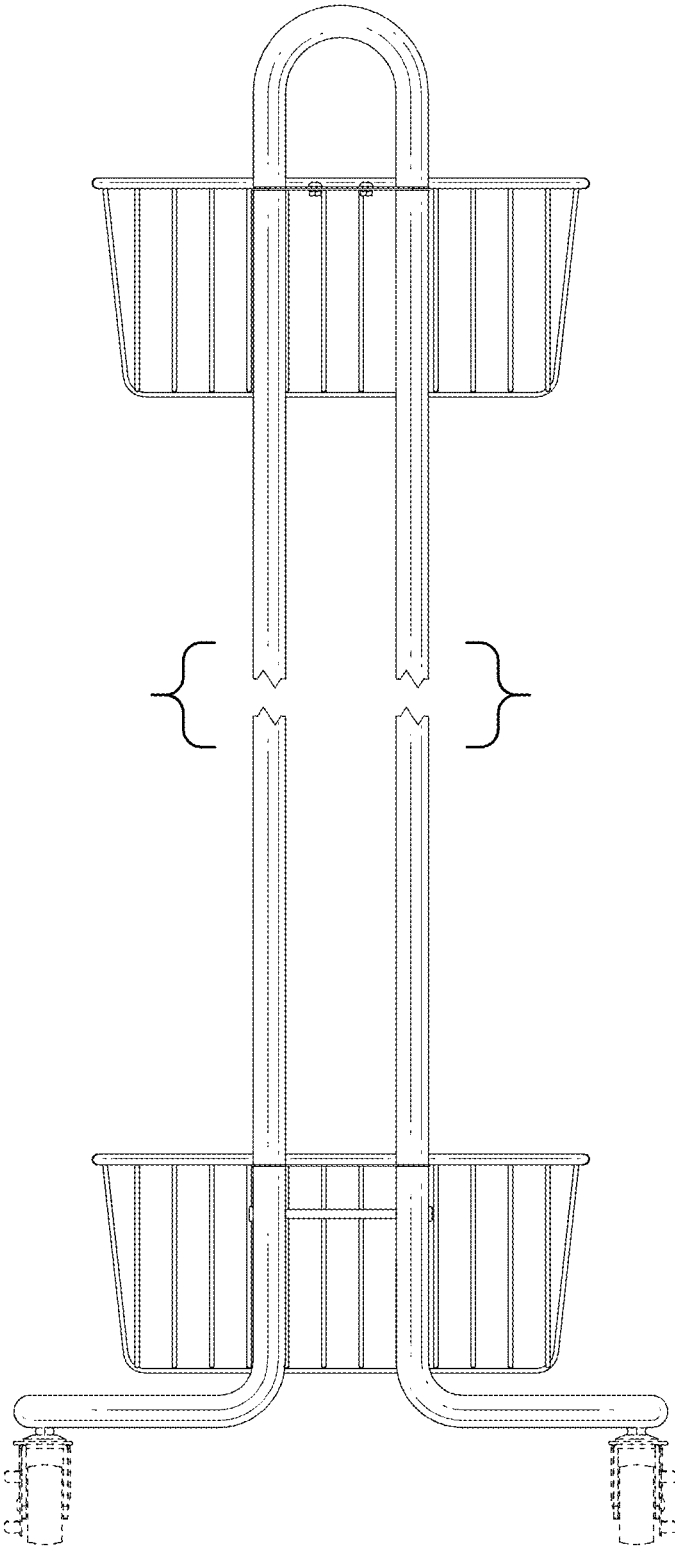


FIG.5

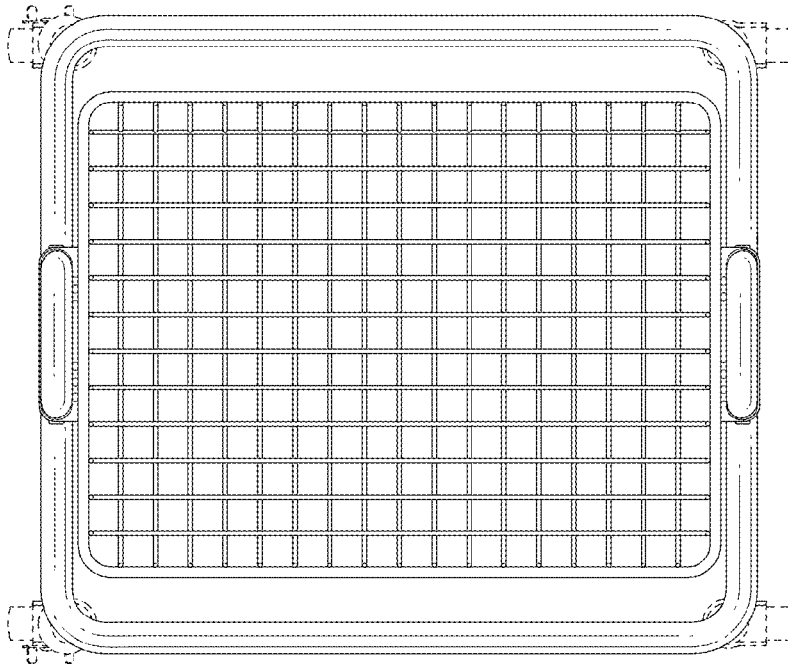


FIG. 6

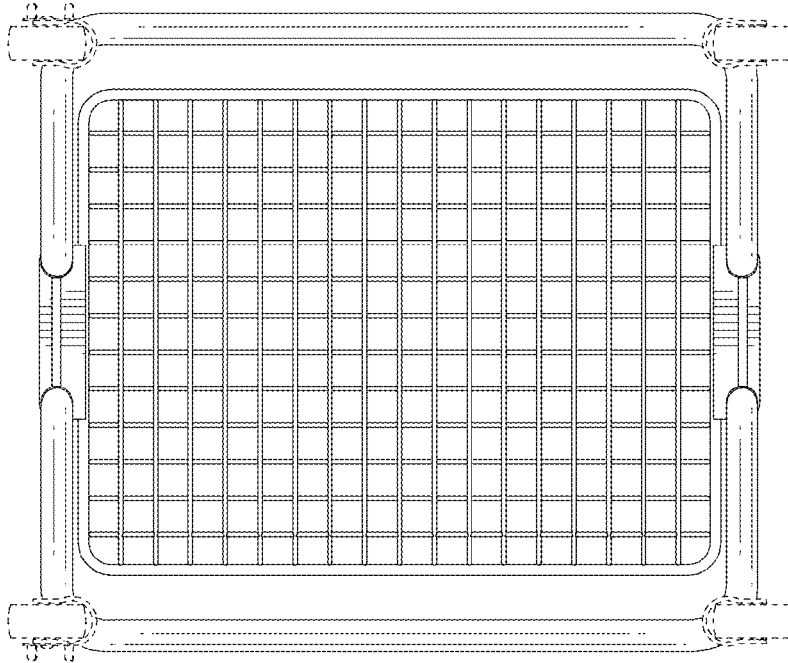


FIG. 7