



US00D724631S

(12) **United States Design Patent**
Kim et al.

(10) **Patent No.:** **US D724,631 S**

(45) **Date of Patent:** **** Mar. 17, 2015**

(54) **GUIDE FOR REFRIGERATOR**

(71) Applicant: **Samsung Electronics Co., Ltd.**,
Suwon-si (KR)

(72) Inventors: **Kyung Tae Kim**, Seoul (KR); **Kim Hyun Soo**, Sungnam-si (KR); **Park Youngmin**, Seoul (KR); **Jong Hyub Lee**, Seoul (KR)

(73) Assignee: **Samsung Electronics Co., Ltd.** (KR)

(**) Term: **14 Years**

(21) Appl. No.: **29/468,047**

(22) Filed: **Sep. 26, 2013**

(30) **Foreign Application Priority Data**

Mar. 28, 2013 (KR) 30-2013-0015846

(51) **LOC (10) Cl.** **15-07**

(52) **U.S. Cl.**

USPC **D15/89**

(58) **Field of Classification Search**

USPC D15/79-89; 312/400-408, 313-316;

108/155; 211/153; D6/511, 574;

72/379.2; 248/249, 250, 302

See application file for complete search history.

(56) **References Cited**

U.S. PATENT DOCUMENTS

D255,242 S * 6/1980 Berman et al. D15/89

D479,537 S * 9/2003 Bodine et al. D15/89

D551,262 S *	9/2007	Becke	D15/89
D551,263 S *	9/2007	Becke	D15/89
D580,957 S *	11/2008	Zangari	D15/89
D588,615 S *	3/2009	Lavy	D15/89
D660,327 S *	5/2012	Doberstein et al.	D15/89
D700,221 S *	2/2014	Ringemann et al.	D15/89
D709,107 S *	7/2014	Kim et al.	D15/89
D709,108 S *	7/2014	Lee et al.	D15/89
D709,532 S *	7/2014	Park et al.	D15/89
D709,533 S *	7/2014	Park et al.	D15/89
D711,437 S *	8/2014	Park et al.	D15/89

* cited by examiner

Primary Examiner — Stella Reid

Assistant Examiner — Khawaja Anwar

(74) *Attorney, Agent, or Firm* — Cantor Colburn LLP

(57) **CLAIM**

The ornamental design for a guide for refrigerator, as shown and described.

DESCRIPTION

FIG. 1 is the front perspective view of a guide for refrigerator showing our new design;

FIG. 2 is a front elevation view thereof;

FIG. 3 is a rear elevation view thereof;

FIG. 4 is a side elevation view thereof;

FIG. 5 is another side elevation view thereof;

FIG. 6 is a top plan view thereof;

FIG. 7 is a bottom plan view thereof; and,

FIG. 8 is a front perspective view thereof, as shown in an alternate environment.

The broken lines in the drawings show unclaimed environment only and form no part of the claimed design.

1 Claim, 8 Drawing Sheets

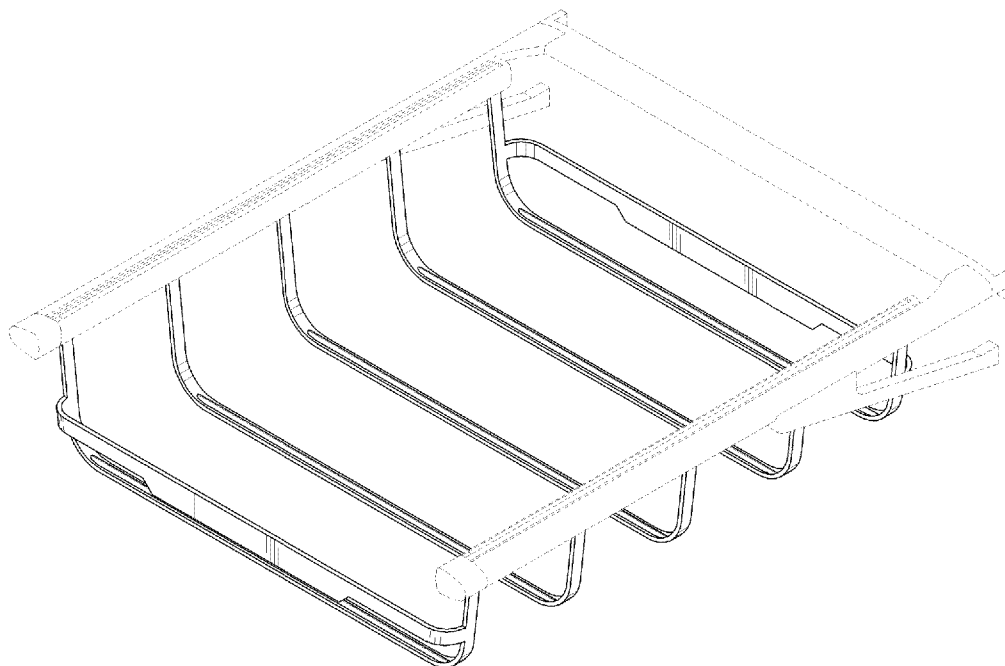


FIG. 1

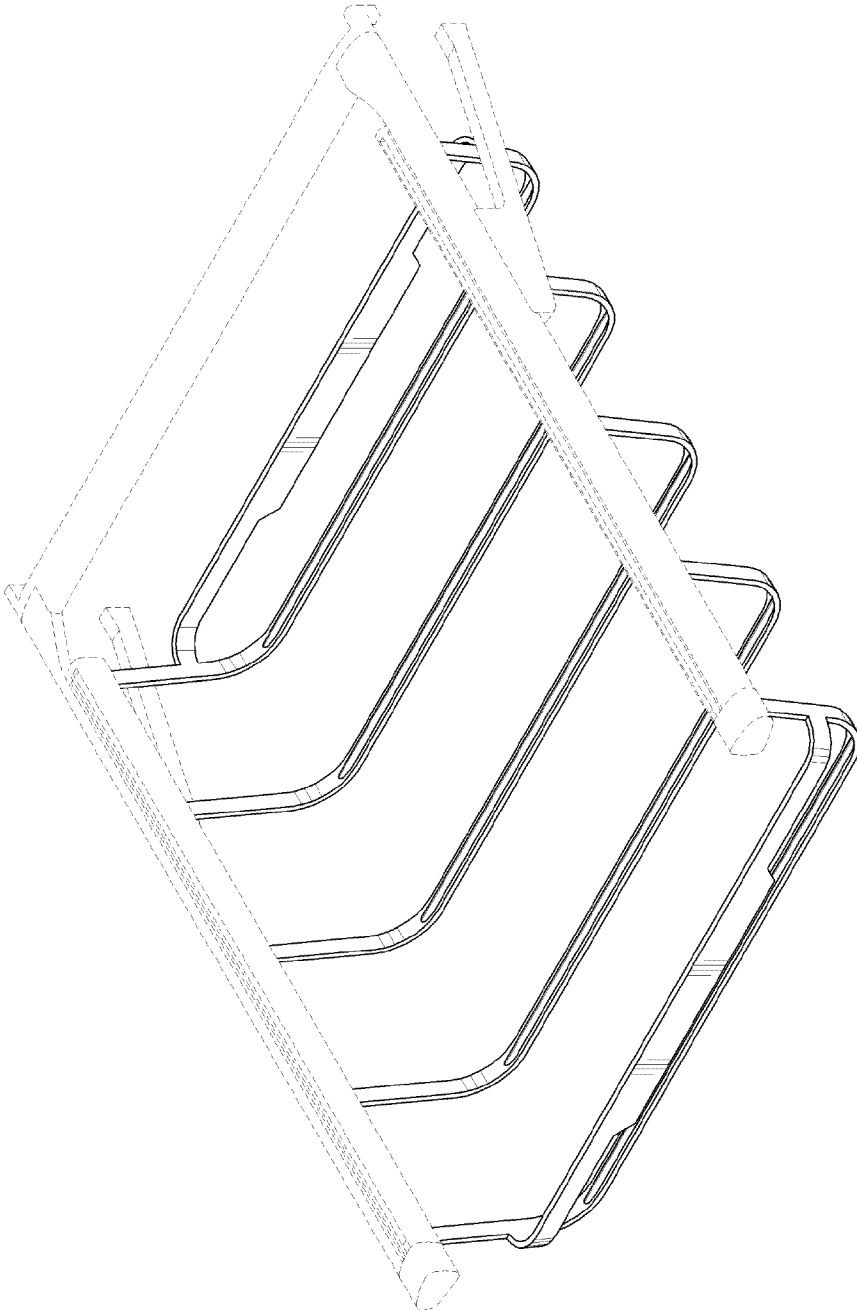


FIG. 2

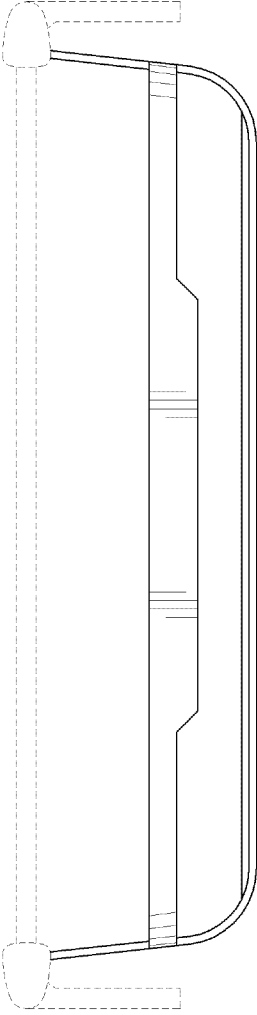


FIG. 3

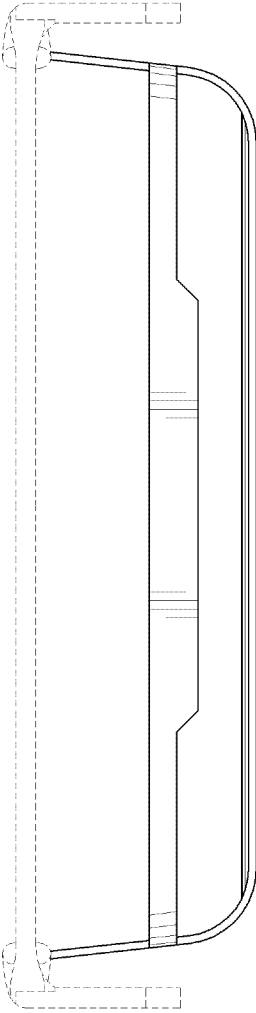


FIG. 4

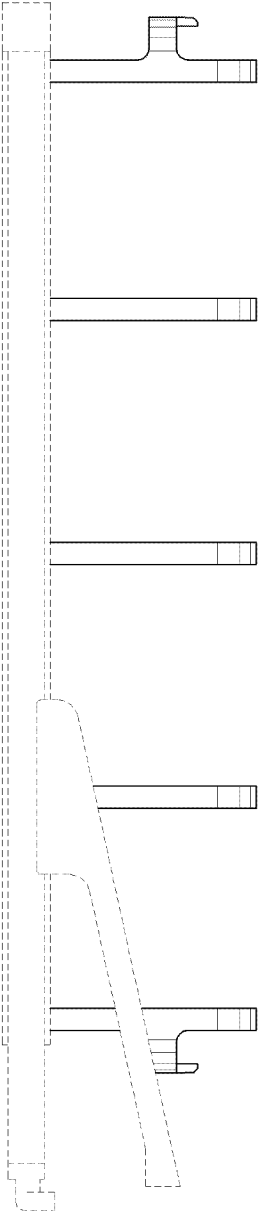


FIG. 5

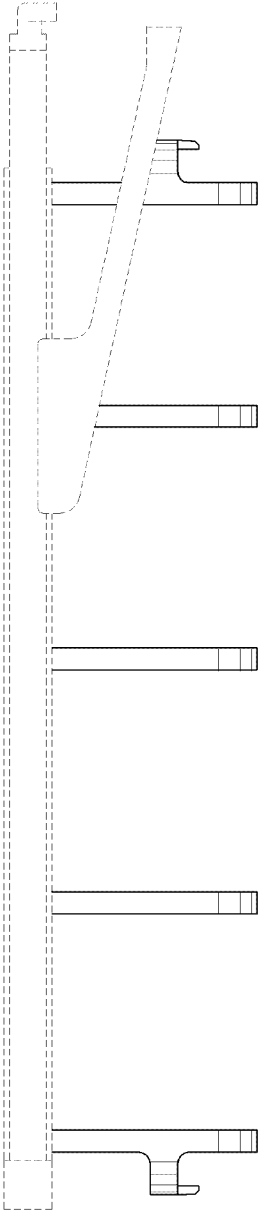


FIG. 6

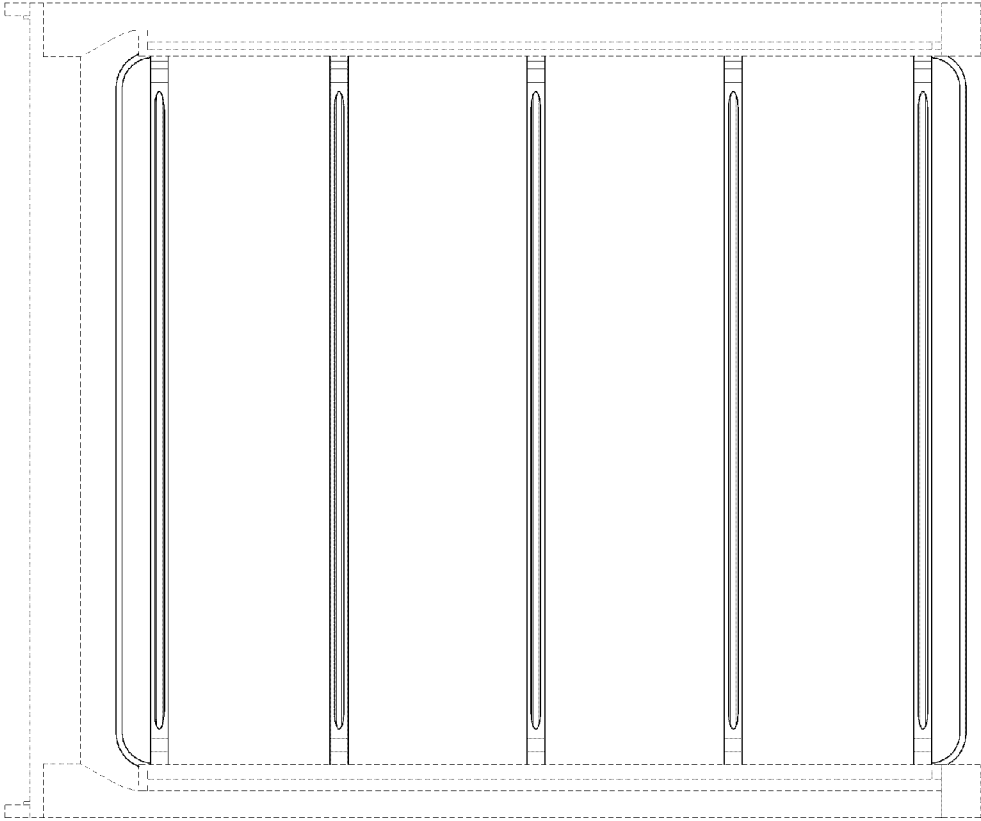


FIG. 7

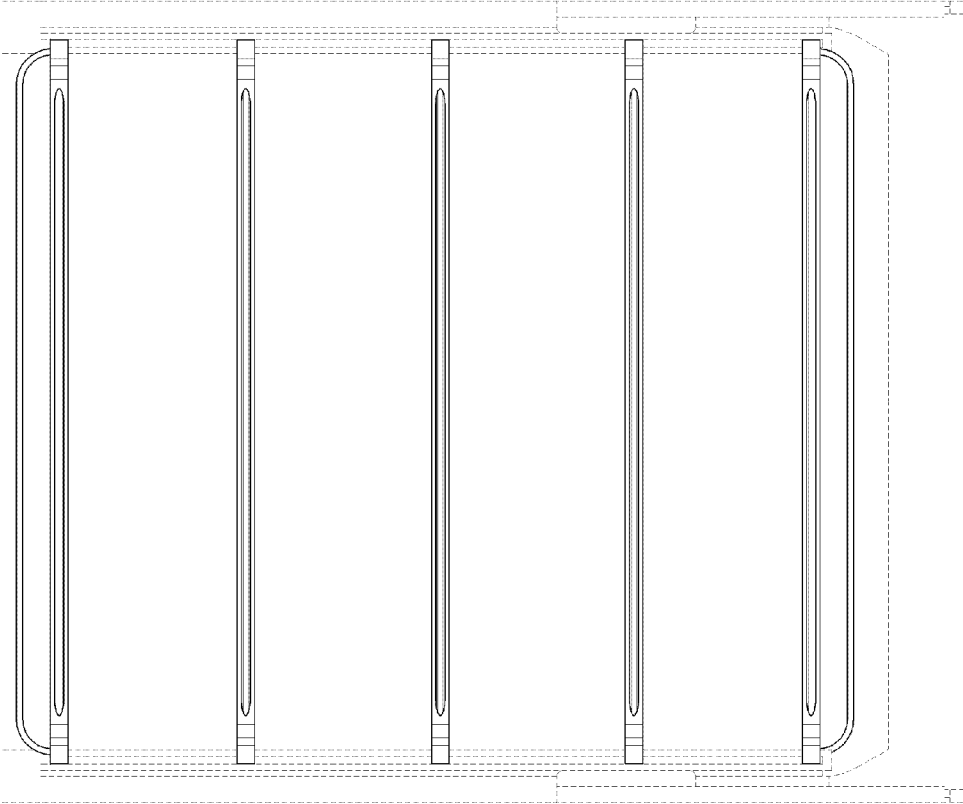


Fig. 8

