



US0D1040644S

(12) **United States Design Patent**  
**Yin**

(10) **Patent No.:** **US D1,040,644 S**

(45) **Date of Patent:** **\*\* Sep. 3, 2024**

- (54) **HOOK**
- (71) Applicant: **Xi'an Jinghan International Trade Co., Ltd., Shaanxi (CN)**
- (72) Inventor: **Jian Yin, Shaanxi (CN)**
- (\*\*) Term: **15 Years**
- (21) Appl. No.: **29/937,177**
- (22) Filed: **Apr. 12, 2024**
- (51) **LOC (14) Cl.** ..... **08-05**
- (52) **U.S. Cl.**  
USPC ..... **D8/367**
- (58) **Field of Classification Search**  
USPC ..... D8/367, 354, 349, 356  
CPC ..... F16M 13/02; A44B 13/0029; A45F 5/021;  
A45F 5/02; F16B 45/00; A47G 25/00;  
A47G 1/00; A45D 44/16  
See application file for complete search history.

7,407,142 B1 *	8/2008	Lopez	.....	A45D 44/16
				248/205.2
D641,614 S *	7/2011	Pontaoe	.....	D8/394
D658,029 S *	4/2012	Fulkerson	.....	D8/301
D697,387 S *	1/2014	Starck	.....	D8/367
D715,624 S *	10/2014	Thompson	.....	D8/367
D734,133 S *	7/2015	Spindler	.....	F16B 45/00
				D8/367
D761,093 S	7/2016	Liu et al.		
D817,749 S	5/2018	Ryu et al.		
D918,698 S	5/2021	Man		
D935,312 S	11/2021	Zhou		
D946,386 S *	3/2022	Davenport	.....	D8/371
D953,849 S	6/2022	Liu		
D966,871 S	10/2022	Wang		
D980,701 S	3/2023	Fu		
D981,827 S	3/2023	Guo		
D986,035 S *	5/2023	Pan	.....	D8/367
D1,011,868 S *	1/2024	Wei	.....	D8/367
D1,026,628 S *	5/2024	Limber	.....	D8/367

\* cited by examiner

*Primary Examiner* — Cynthia R Underwood

(57) **CLAIM**

The ornamental design for hook, as shown and described.

**DESCRIPTION**

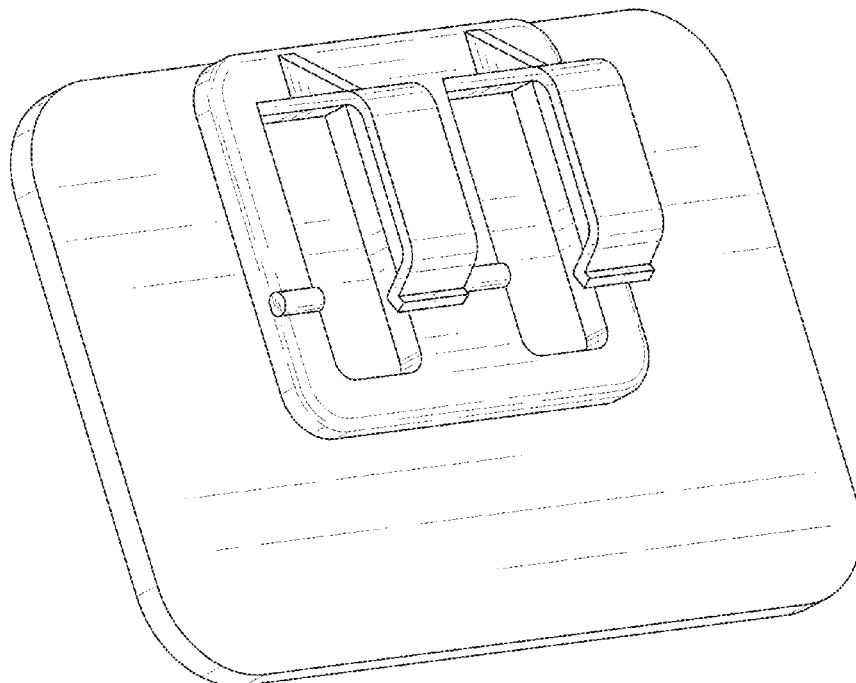
FIG. 1 is a top perspective view of hook showing my new design.  
 FIG. 2 is a bottom perspective view thereof.  
 FIG. 3 is a front view thereof.  
 FIG. 4 is a rear view thereof.  
 FIG. 5 is a left side view thereof.  
 FIG. 6 is a right side view thereof.  
 FIG. 7 is a top view thereof; and,  
 FIG. 8 is a bottom view thereof.

**1 Claim, 8 Drawing Sheets**

(56) **References Cited**

**U.S. PATENT DOCUMENTS**

2,765,998 A *	10/1956	Engert	.....	A47G 1/17
				248/467
3,637,181 A *	1/1972	Janssen	.....	A47G 1/17
				156/320
4,003,538 A *	1/1977	Frye	.....	A47G 1/17
				24/304
D287,816 S *	1/1987	Chasen	.....	D8/367
D289,139 S *	4/1987	Chasen	.....	D8/367
D289,255 S *	4/1987	Chasen	.....	D8/367
D345,497 S *	3/1994	Miller	.....	D8/367
D378,313 S *	3/1997	Doyle	.....	D8/367
D566,532 S *	4/2008	Wolff	.....	D8/367



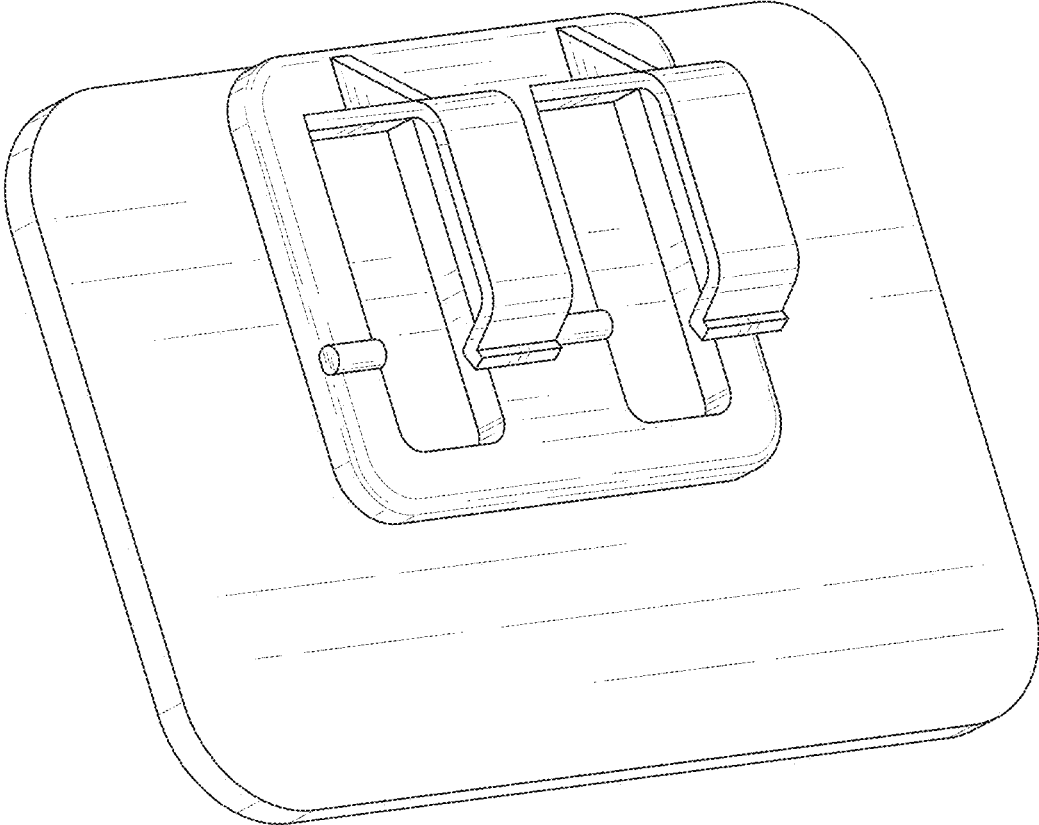


FIG.1

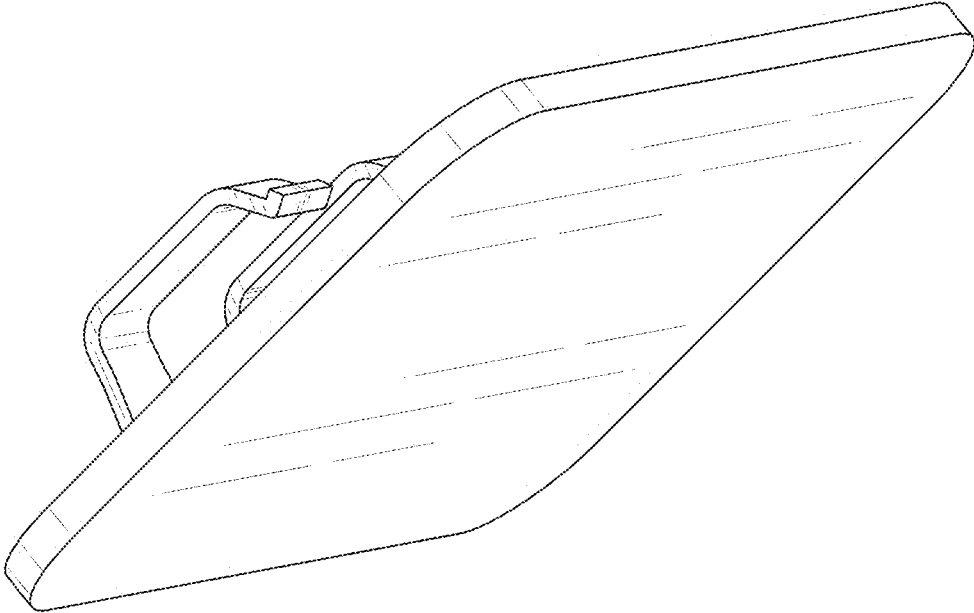


FIG.2

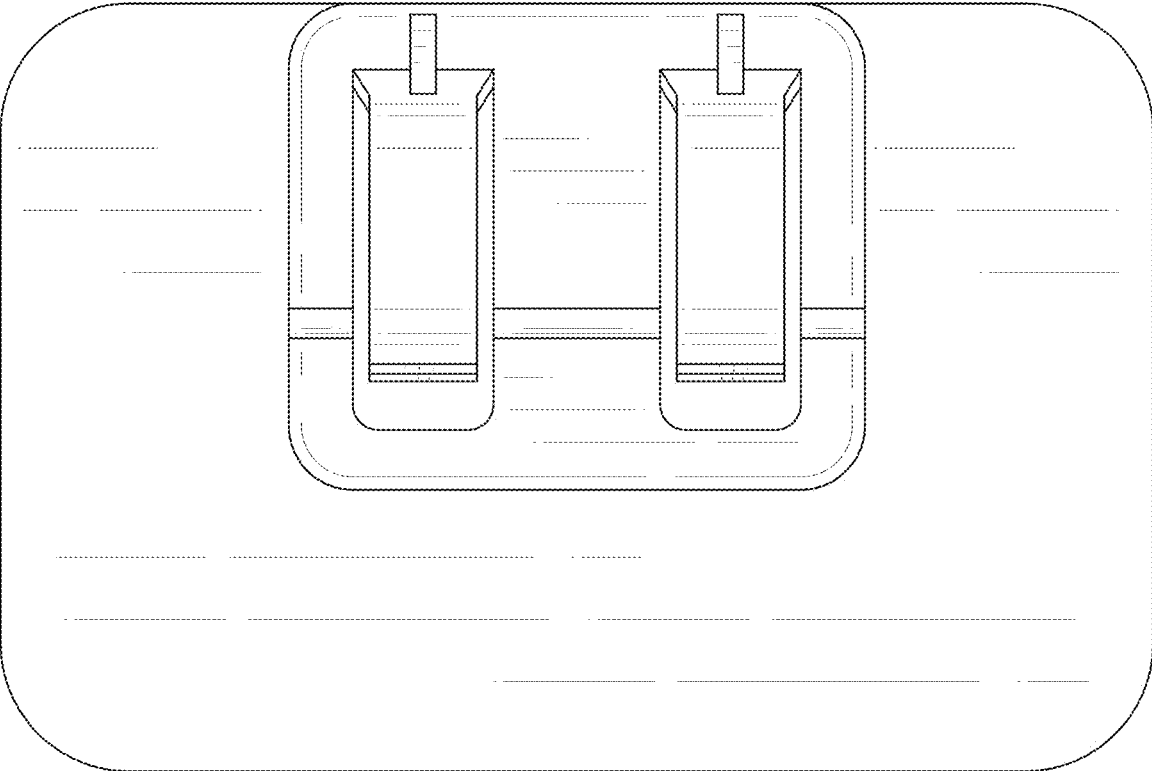


FIG.3

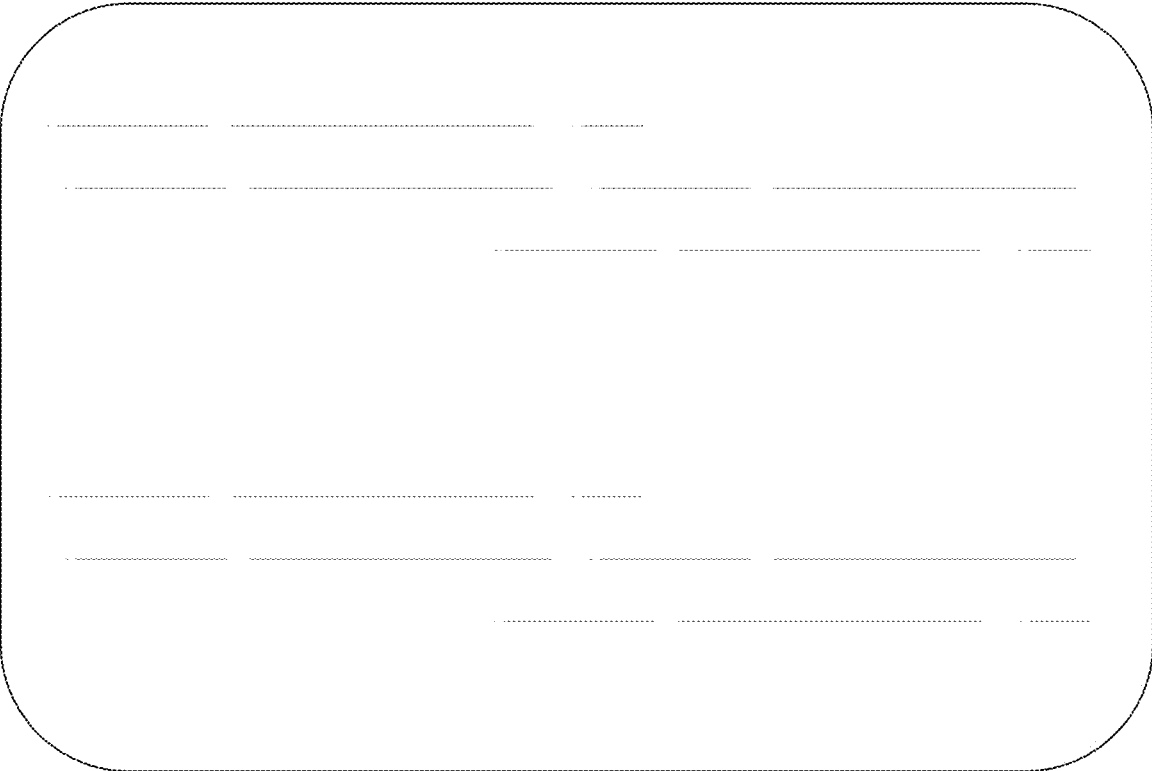


FIG.4

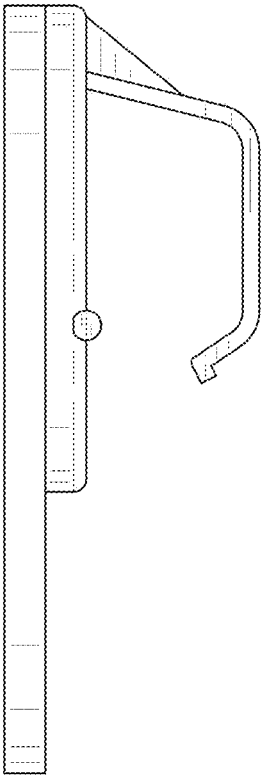


FIG.5

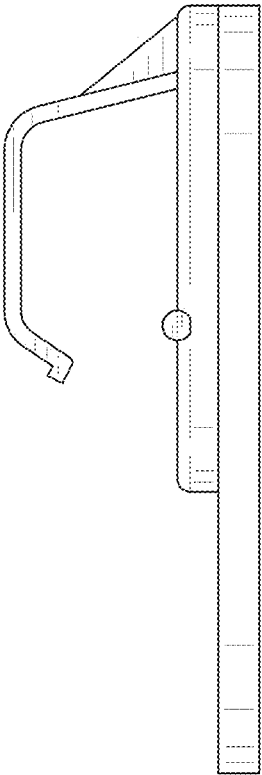


FIG.6

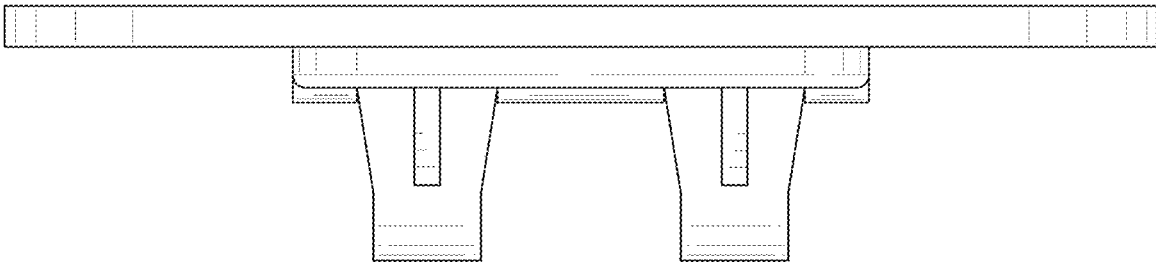


FIG.7



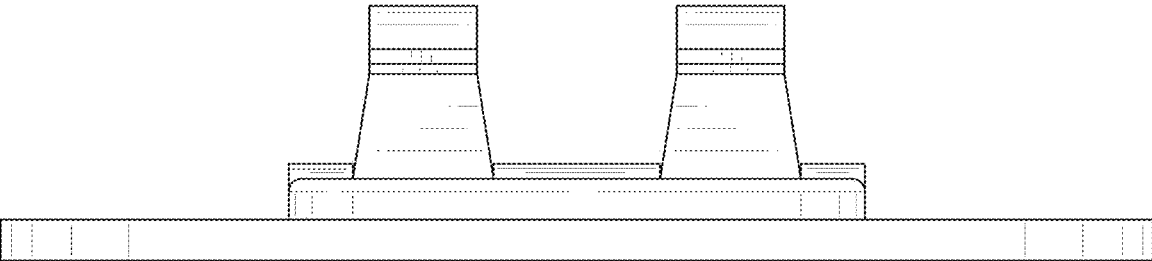


FIG.8