



US00D639811S

(12) **United States Design Patent**
Hwang et al.

(10) **Patent No.:** **US D639,811 S**

(45) **Date of Patent:** **** Jun. 14, 2011**

(54) **DOCKING STATION**

(75) Inventors: **Steven Hwang**, San Francisco, CA (US);
Christopher C. Jones, San Francisco,
CA (US)

(73) Assignee: **Cisco Technology, Inc.**, San Jose, CA
(US)

(**) Term: **14 Years**

(21) Appl. No.: **29/364,773**

(22) Filed: **Jun. 28, 2010**

(51) **LOC (9) Cl.** **14-02**

(52) **U.S. Cl.** **D14/434**; D13/107; D13/108

(58) **Field of Classification Search** D14/432-434,
D14/314, 204, 420, 421, 447, 217, 358; D13/107,
D13/108, 146; D8/373; 248/346.03, 176.1;
361/679.41, 679.31, 679.32, 679.4, 679.43,
361/679.55; 320/109, 112-115

See application file for complete search history.

(56) **References Cited**

U.S. PATENT DOCUMENTS

D442,141 S *	5/2001	Ikenaga	D13/107
D469,097 S *	1/2003	Liu	D14/434
7,145,603 B2 *	12/2006	Whitby et al.	348/375
D540,802 S *	4/2007	Hussaini et al.	D14/434
D554,107 S *	10/2007	Calco et al.	D14/217
D579,917 S *	11/2008	Marchand et al.	D14/217
D584,731 S *	1/2009	Montgomery et al.	D14/434

D607,879 S *	1/2010	Ferber et al.	D14/217
D609,707 S *	2/2010	Lee	D14/434
2008/0219488 A1 *	9/2008	Crooijmans et al.	381/333
2010/0118485 A1 *	5/2010	Crooijmans et al.	361/679.43

* cited by examiner

Primary Examiner — Freda S Nunn

(74) *Attorney, Agent, or Firm* — Edell, Shapiro & Finnan,
LLC

(57) **CLAIM**

The ornamental design for a docking station, as shown and described.

DESCRIPTION

FIG. 1 is a front perspective view of a docking station according to the present invention;

FIG. 2 is a rear perspective view of the docking station of FIG. 1;

FIG. 3 is a front view of the docking station of FIG. 1;

FIG. 4 is a rear view of the docking station of FIG. 1;

FIG. 5 is a top view of the docking station of FIG. 1;

FIG. 6 is a bottom view of the docking station of FIG. 1;

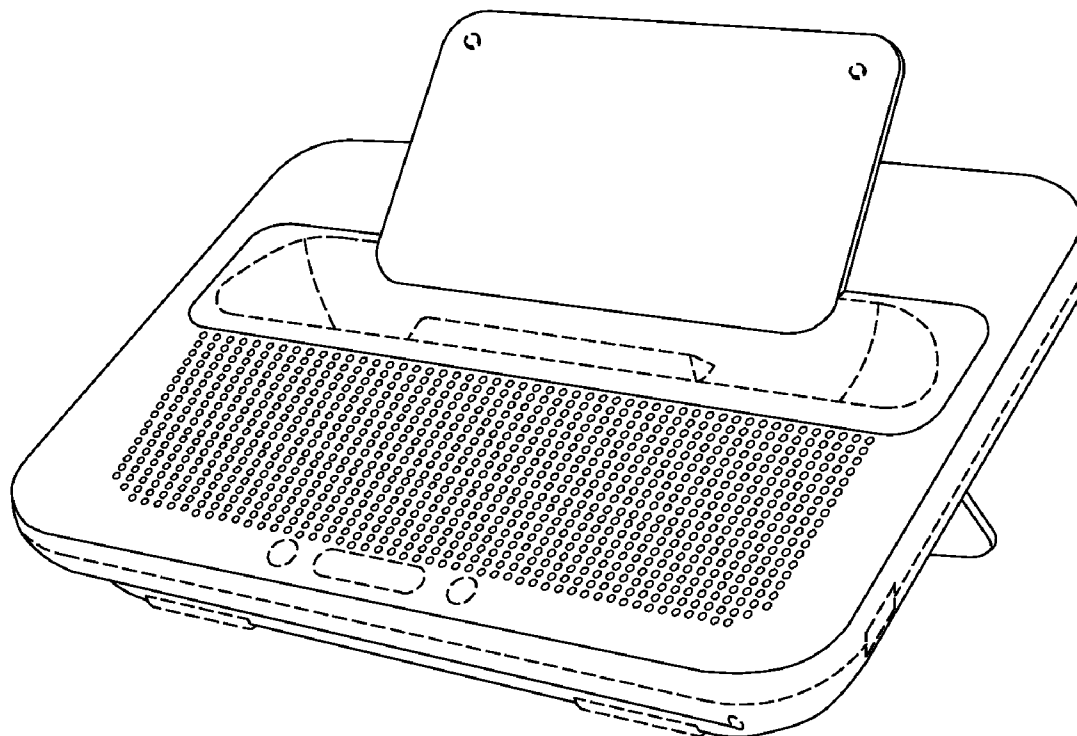
FIG. 7 is a right side view of the docking station of FIG. 1;

FIG. 8 is a left side view of the docking station of FIG. 1; and,

FIG. 9 is a front perspective view of the docking station of FIG. 1 showing an example of a tablet computer device seated therein.

Broken lines shown in the drawings illustrate portions of the docking station and form no part of the claimed design.

1 Claim, 9 Drawing Sheets



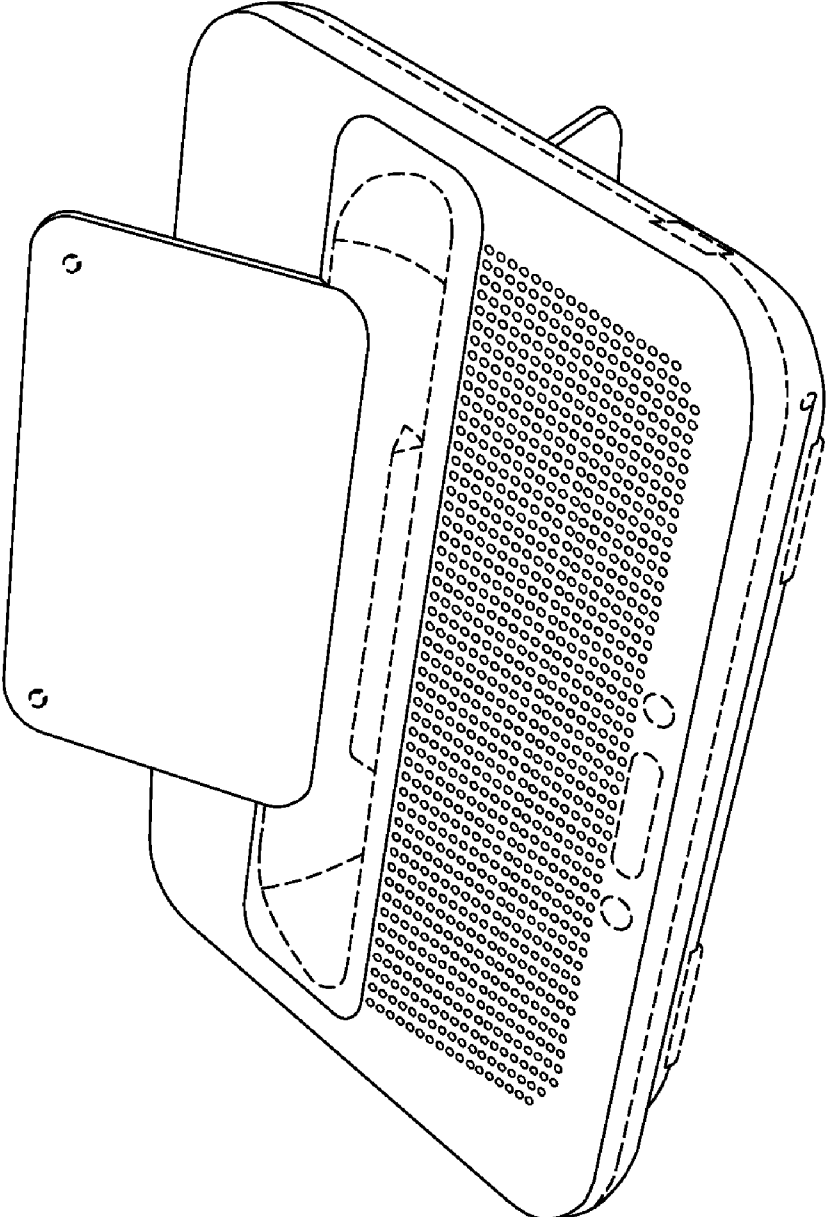


FIG.1

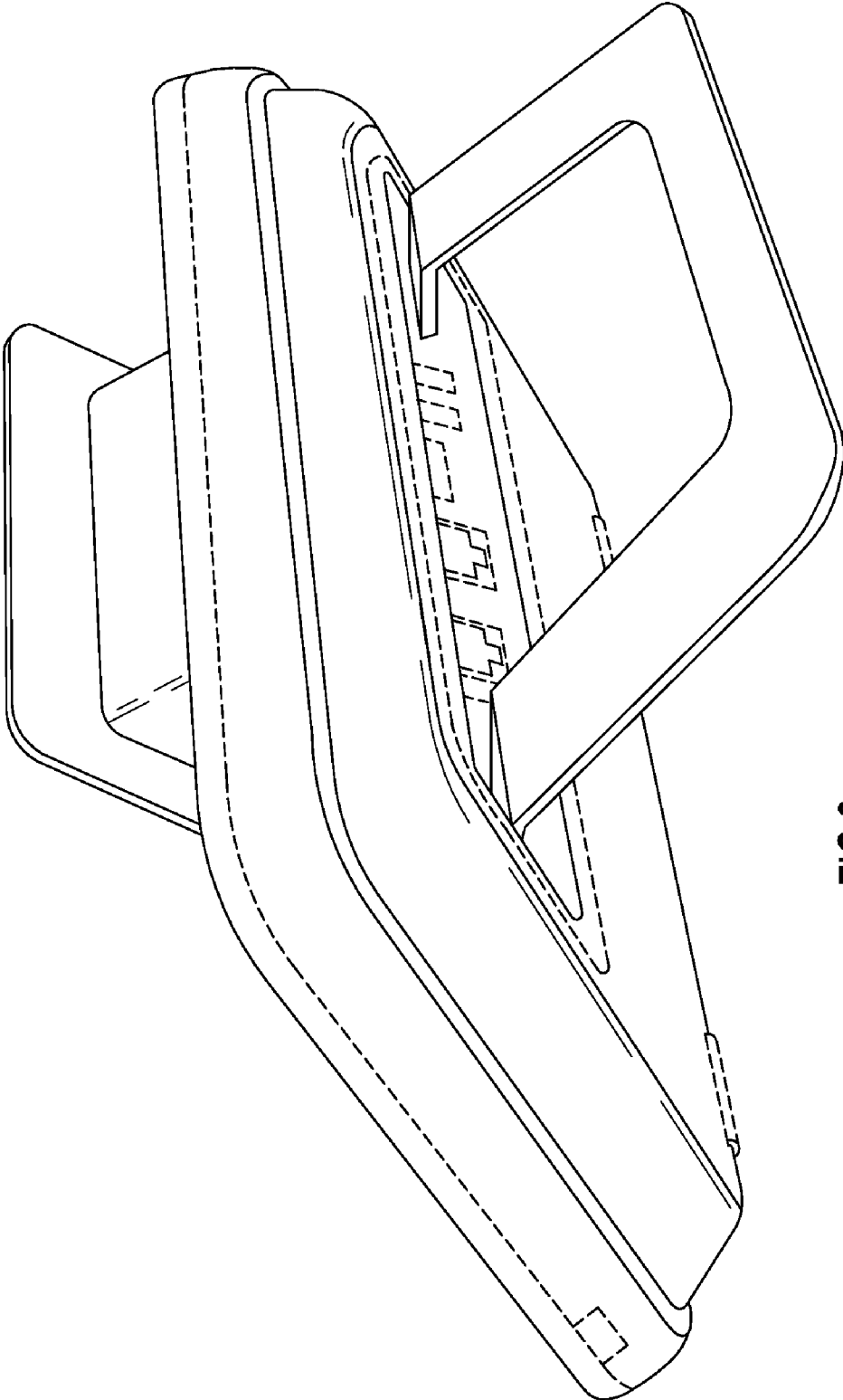


FIG.2

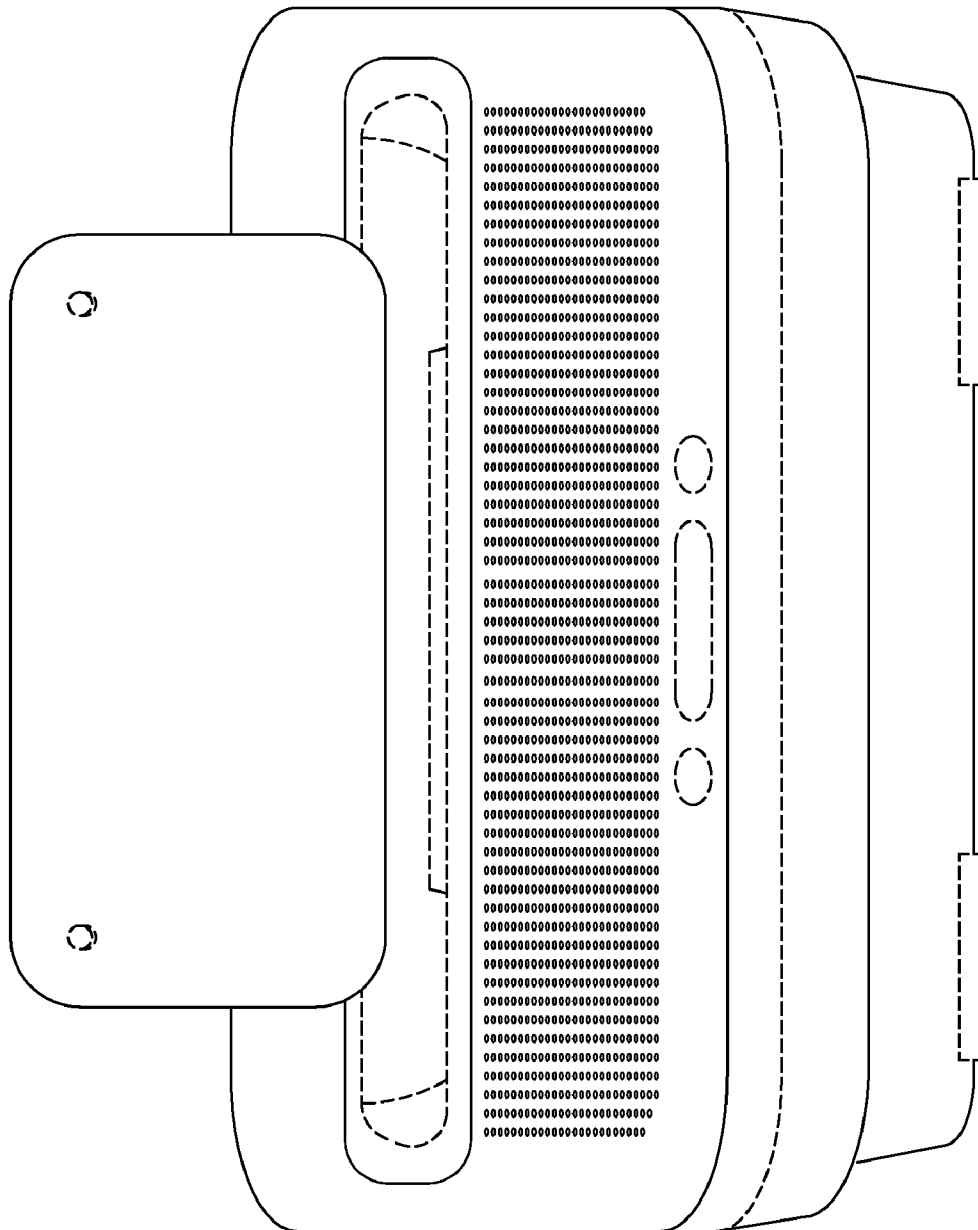


FIG.3

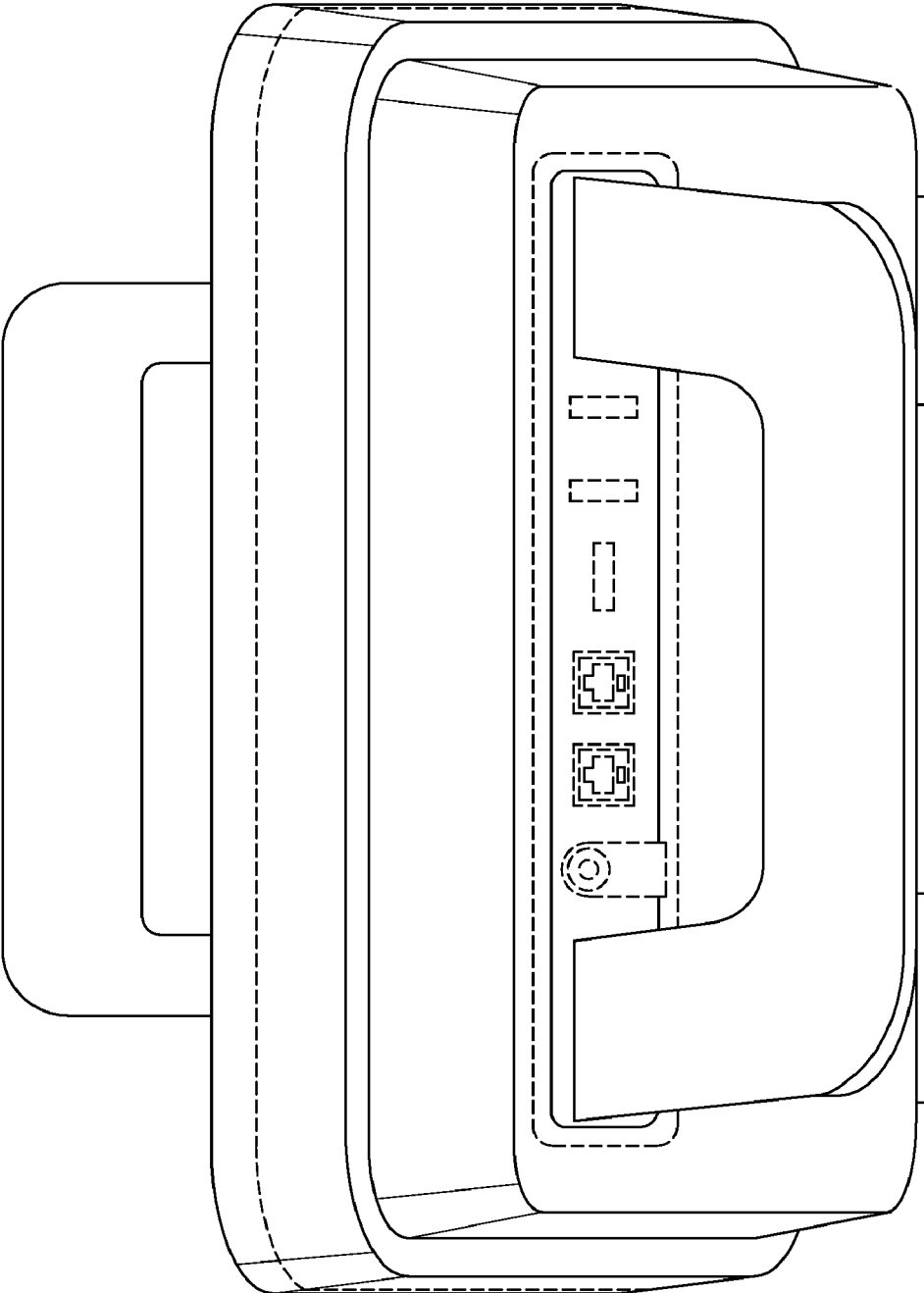


FIG.4

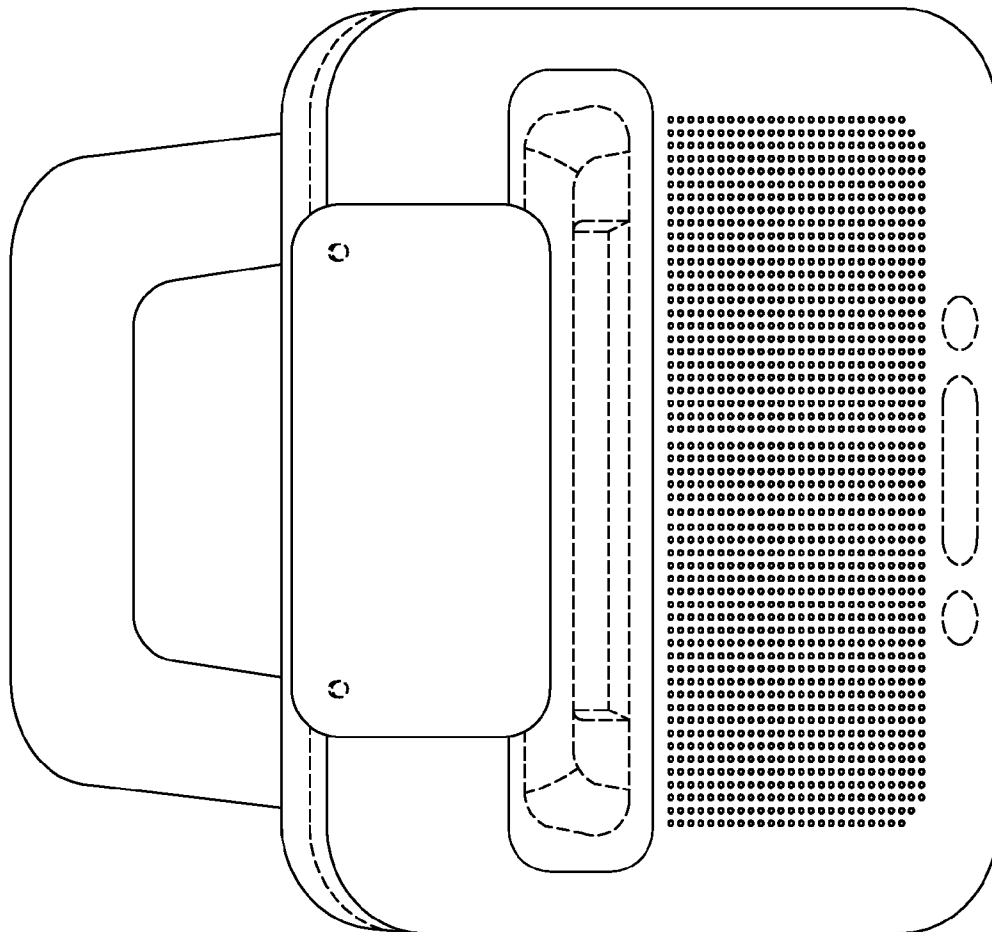


FIG.5

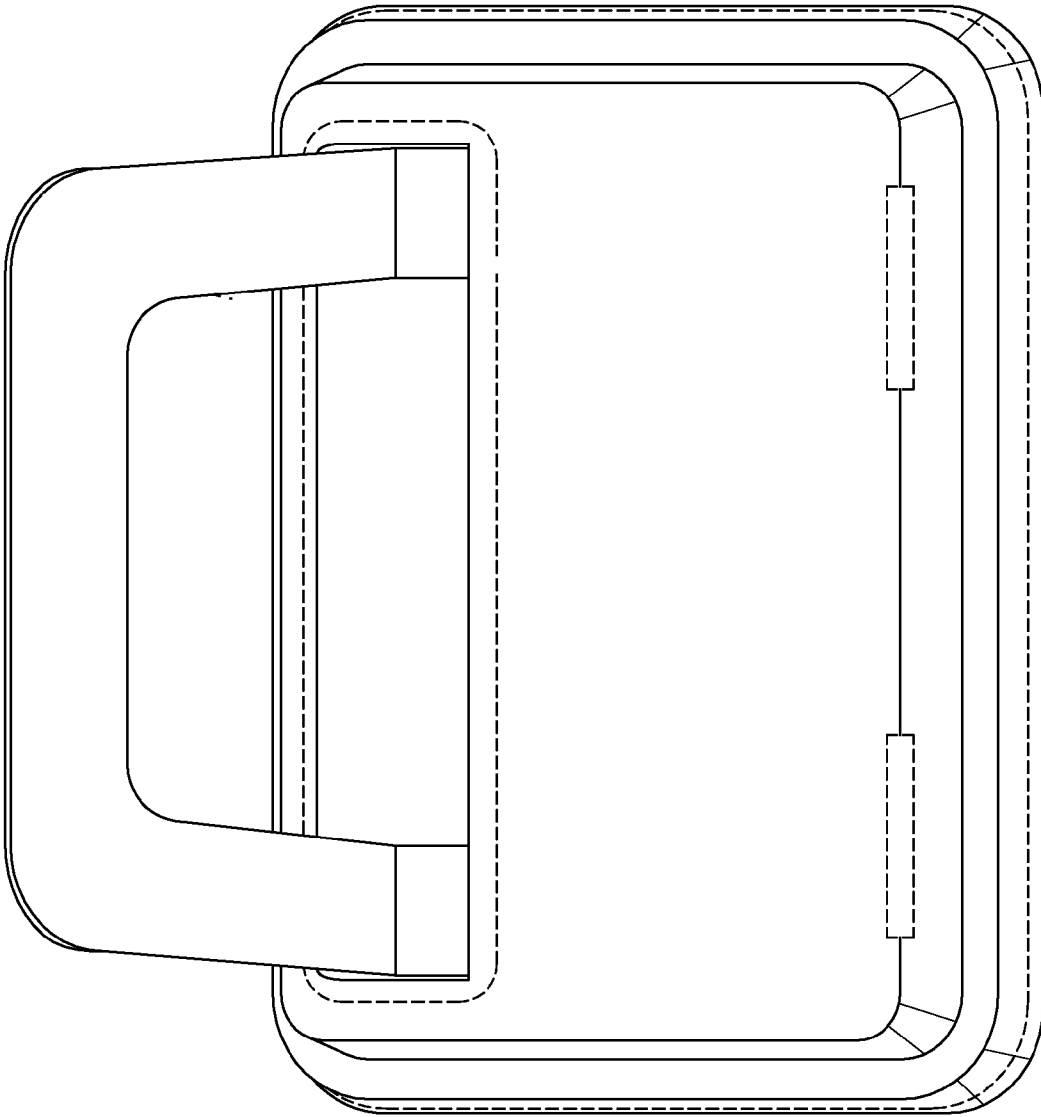


FIG.6

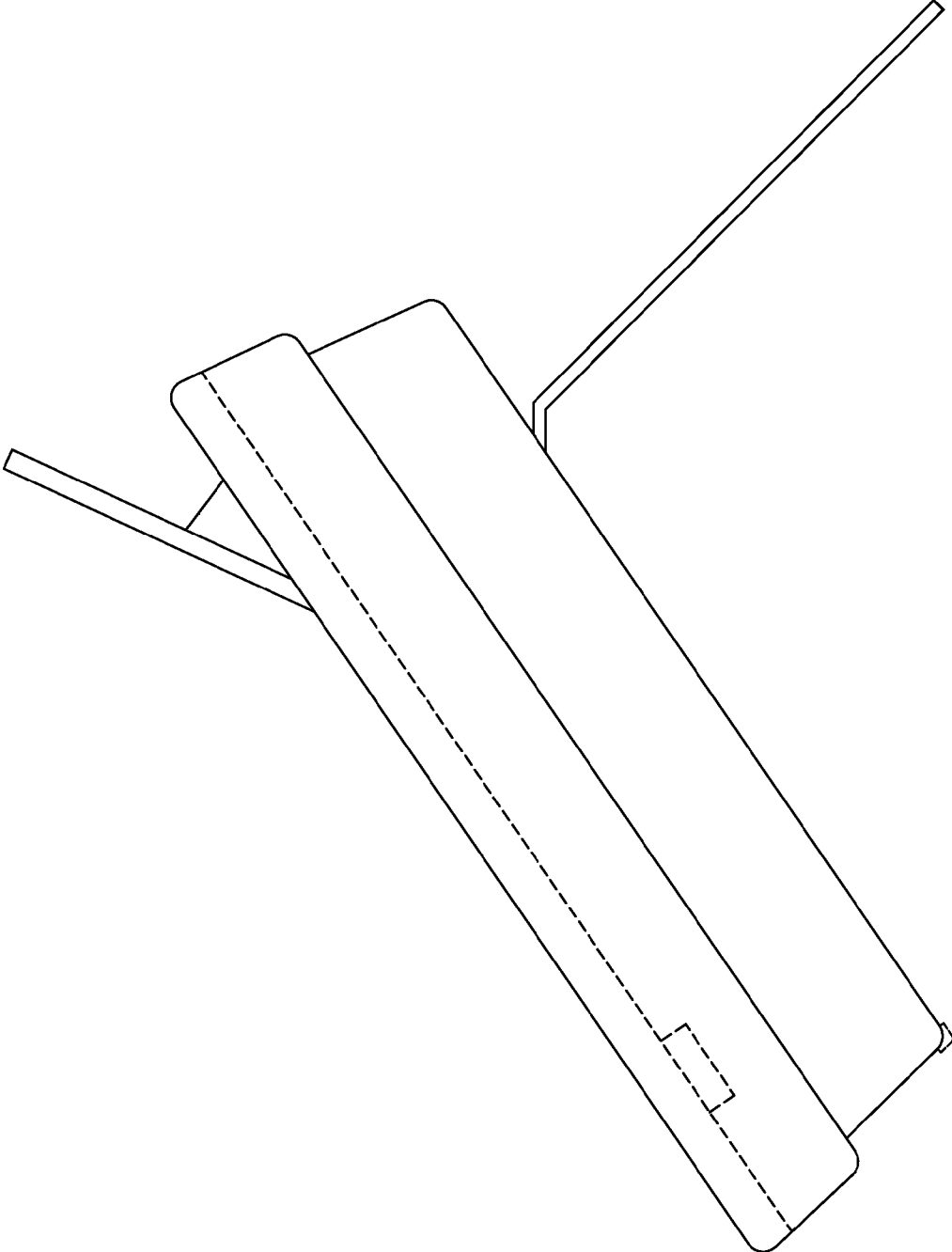


FIG.7

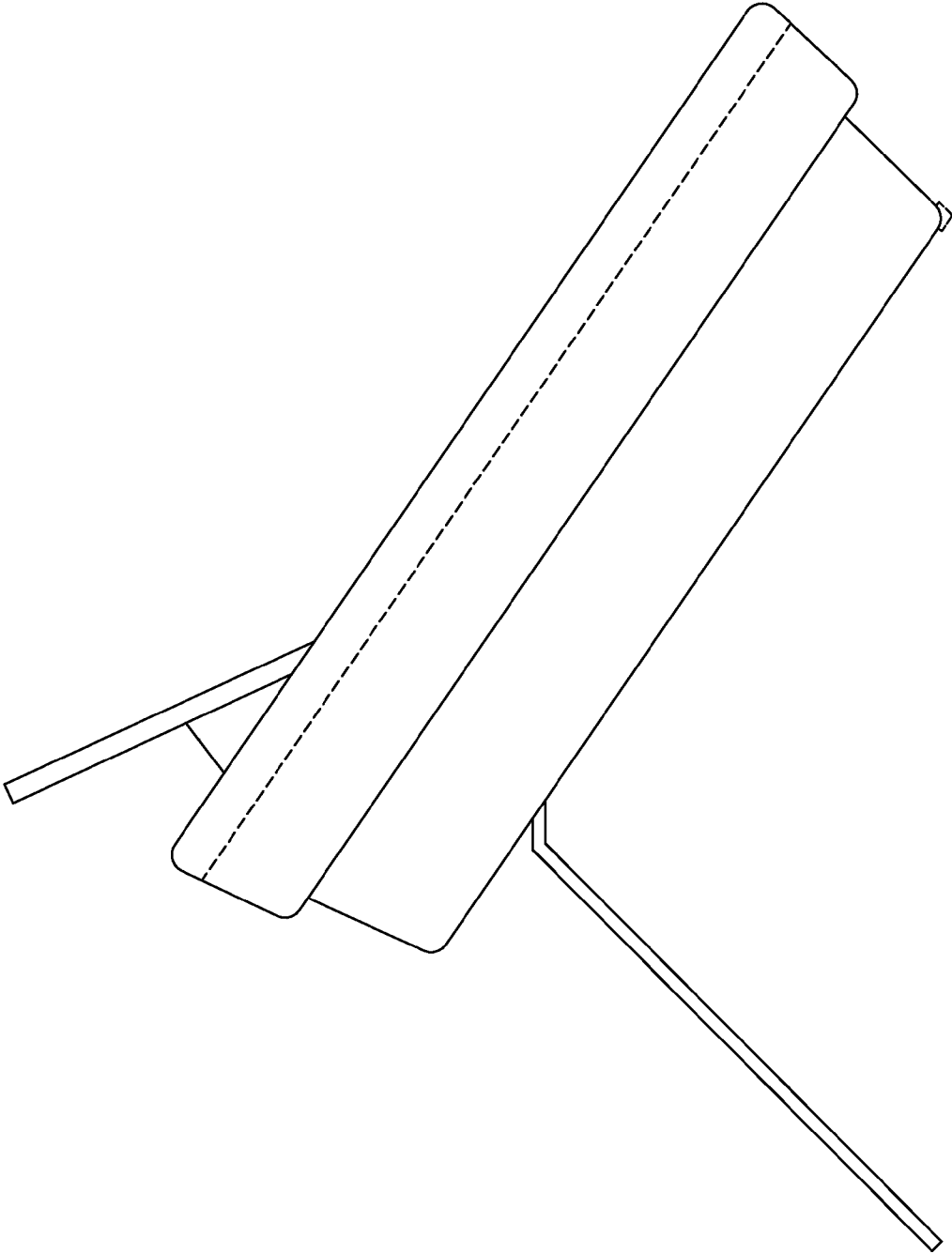


FIG.8

FIG. 9

