



US00D873147S

(12) **United States Design Patent** (10) **Patent No.:** **US D873,147 S**
Aboabdo (45) **Date of Patent:** **** Jan. 21, 2020**

- (54) **BOTTLE**
- (71) Applicant: **Chubby Gorilla, Inc.**, Fullerton, CA (US)
- (72) Inventor: **Ibrahiem H. Aboabdo**, Yorba Linda, CA (US)
- (73) Assignee: **Chubby Gorilla, Inc.**, Fullerton, CA (US)
- (**) Term: **15 Years**
- (21) Appl. No.: **29/619,989**
- (22) Filed: **Oct. 3, 2017**
- (51) **LOC (12) Cl.** **09-01**
- (52) **U.S. Cl.**
USPC **D9/560**
- (58) **Field of Classification Search**
USPC D9/682-694, 715, 719, 723-729,
D9/738-747, 516, 517, 520, 529, 504,
(Continued)

- (56) **References Cited**
U.S. PATENT DOCUMENTS

D24,655 S * 9/1895 Preston D9/560
D26,674 S * 2/1897 Estes D9/502
(Continued)

FOREIGN PATENT DOCUMENTS

CN 3329175 * 10/2003
CN 3659165 * 6/2007
(Continued)

Primary Examiner — Catherine A Tuttle
(74) *Attorney, Agent, or Firm* — Knobbe Martens Olson & Bear, LLP

(57) **CLAIM**
The ornamental design for a bottle, as shown and described herein.

DESCRIPTION

FIG. 1 is a top perspective view of a bottle embodying the new design.

- FIG. 2 is a front elevation view thereof.
- FIG. 3 is a rear elevation view thereof.
- FIG. 4 is a first side elevation view thereof.
- FIG. 5 is a second side elevation view thereof.
- FIG. 6 is a top view thereof.
- FIG. 7 is a bottom view thereof.
- FIG. 8 is an exploded perspective view thereof.
- FIG. 9 is an exploded elevation view thereof.
- FIG. 10 is bottom perspective view thereof.
- FIG. 11 is a top perspective view of a second embodiment of the bottle embodying the new design.
- FIG. 12 is a front elevation view thereof.
- FIG. 13 is a rear elevation view thereof.
- FIG. 14 is a first side elevation view thereof.
- FIG. 15 is a second side elevation view thereof.
- FIG. 16 is a top view thereof.
- FIG. 17 is a bottom view thereof.
- FIG. 18 is an exploded perspective view thereof.
- FIG. 19 is an exploded elevation view thereof.
- FIG. 20 is bottom perspective view thereof.
- FIG. 21 is a top perspective view of a third embodiment of the bottle embodying the new design.
- FIG. 22 is a front elevation view thereof.
- FIG. 23 is a rear elevation view thereof.
- FIG. 24 is a first side elevation view thereof.
- FIG. 25 is a second side elevation view thereof.
- FIG. 26 is a top view thereof.
- FIG. 27 is a bottom view thereof.
- FIG. 28 is an exploded perspective view thereof.
- FIG. 29 is an exploded elevation view thereof.
- FIG. 30 is bottom perspective view thereof.
- FIG. 31 is a top perspective view of a fourth embodiment of the bottle embodying the new design.
- FIG. 32 is a front elevation view thereof.
- FIG. 33 is a rear elevation view thereof.
- FIG. 34 is a first side elevation view thereof.
- FIG. 35 is a second side elevation view thereof.
- FIG. 36 is a top view thereof.
- FIG. 37 is a bottom view thereof.
- FIG. 38 is an exploded perspective view thereof.
- FIG. 39 is an exploded elevation view thereof.
- FIG. 40 is bottom perspective view thereof.
- FIG. 41 is a top perspective view of a fifth embodiment of the bottle embodying the new design.

(Continued)

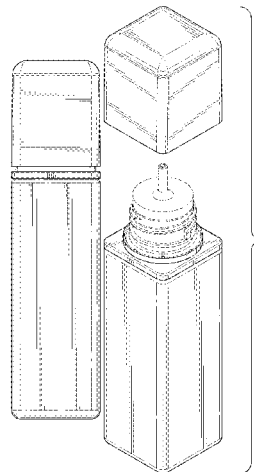


FIG. 42 is a front elevation view thereof.
 FIG. 43 is a rear elevation view thereof.
 FIG. 44 is a first side elevation view thereof.
 FIG. 45 is a second side elevation view thereof.
 FIG. 46 is a top view thereof.
 FIG. 47 is a bottom view thereof.
 FIG. 48 is an exploded perspective view thereof.
 FIG. 49 is an exploded elevation view thereof; and,
 FIG. 50 is bottom perspective view thereof.
 The bottle in each of the second and fourth embodiments is shown with a symbolic break in its length, represented by break lines. The appearance of any portion of the article between the break lines forms no part of the claimed design. All features in broken lines are for the purpose of illustrating portions of the bottle that form no part of the claimed design.

1 Claim, 28 Drawing Sheets

(58) Field of Classification Search

USPC D9/544-546, 559-575, 414, 418, 432,
 D9/434-436, 439, 440, 444, 445, 447,
 D9/448; D28/76-91.1
 CPC A45D 34/00; A45D 34/02; A45D 34/04;
 A45D 34/042; A45D 34/045; A45D
 34/06; A45D 2034/002; A45D 2034/005;
 A45D 2034/007; A45D 2200/055; A45D
 2200/056; A45D 2200/057; A45D
 2200/109; B05B 11/00-3098; B65D 1/08;
 B65D 1/09; B65D 1/0223; B65D 1/32;
 B65D 2501/0081; B65D 1/40; B65D
 1/46; B65D 1/48; B65D 1/023; B65D
 1/0238; B65D 1/0246; B65D 1/0253
 See application file for complete search history.

(56) References Cited

U.S. PATENT DOCUMENTS

3,581,926 A * 6/1971 Roder B65D 41/0471
 215/330
 D225,327 S * 12/1972 Marsh D23/207

D233,981 S * 12/1974 Watt D9/560
 D241,013 S * 8/1976 Dekker D9/529
 4,006,837 A * 2/1977 Gates B65D 41/0471
 215/333
 D264,941 S * 6/1982 Stock D24/115
 D271,337 S * 11/1983 Holloway D28/85
 5,803,287 A * 9/1998 Kusz B65D 41/0471
 215/330
 D432,725 S * 10/2000 Gavin D28/85
 D462,144 S * 8/2002 Gaydon D28/76
 D466,412 S * 12/2002 Baskinger D9/432
 D478,690 S * 8/2003 Sgariboldi D28/85
 D479,017 S * 8/2003 Sgariboldi D28/85
 D479,018 S * 8/2003 Sgariboldi D28/85
 D522,696 S * 6/2006 Severa D28/88
 D531,043 S * 10/2006 Houtart D9/560
 D561,593 S * 2/2008 Gomez D9/529
 D580,778 S * 11/2008 Konckier D9/694
 D639,338 S * 6/2011 Hung D19/163
 D644,108 S * 8/2011 Vila Calvo D9/529
 D646,579 S * 10/2011 Rahe D9/560
 D655,200 S * 3/2012 Gross B65D 83/56
 D9/687
 D709,379 S * 7/2014 Moretti D9/529
 D715,653 S * 10/2014 Lavigne D9/529
 D761,123 S * 7/2016 Breidenbach D28/7
 D777,037 S * 1/2017 Serafin D9/435
 D808,280 S * 1/2018 Nagata D9/560
 D816,506 S * 5/2018 Jones D9/560
 2008/0230505 A1 * 9/2008 Kerman B65D 41/0471
 215/44

FOREIGN PATENT DOCUMENTS

CN 301367310 * 10/2010
 CN 301732992 * 11/2011
 CN 303048396 * 12/2014
 CN 303945414 * 11/2016
 CN 300885455.0000 * 12/2016
 CN 304079110 * 3/2017
 CN 304272281 * 9/2017
 KR 300390664.0000 * 8/2005
 KR 300402168.0000 * 12/2005
 KR 300446335.0000 * 4/2007
 KR 300579084.0000 * 11/2010
 KR 300587943.0000 * 2/2011

* cited by examiner

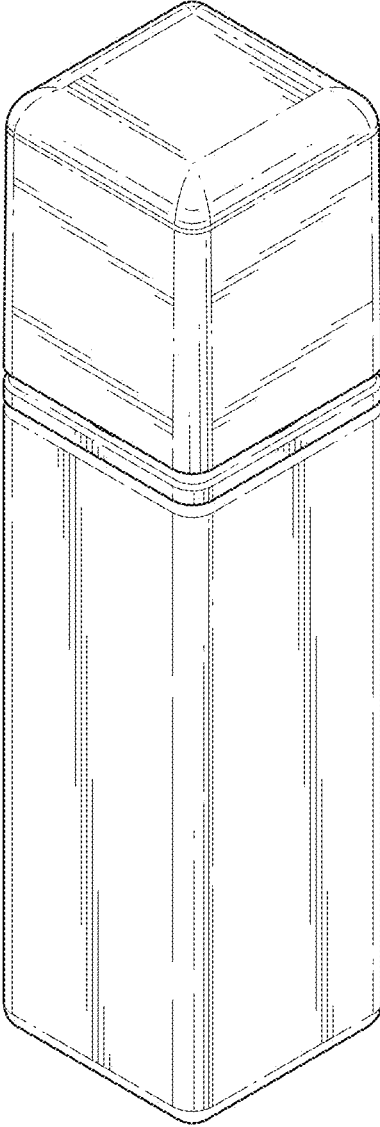


FIG. 1

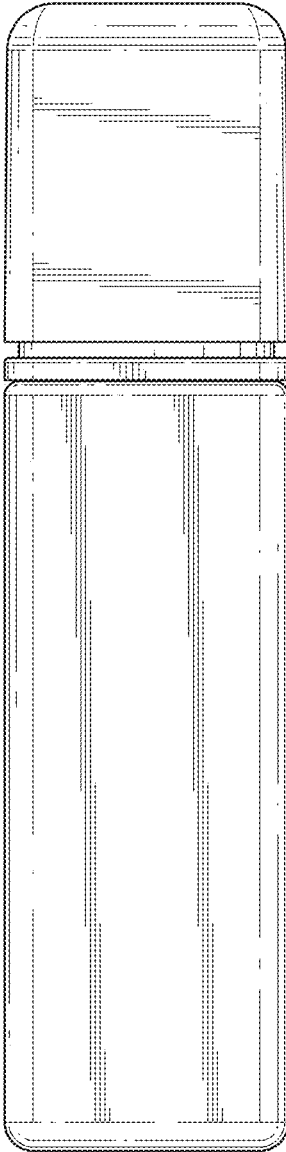


FIG. 2

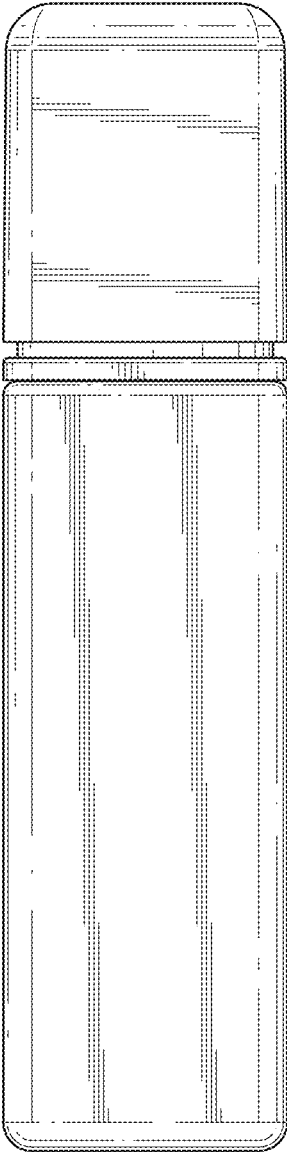


FIG. 3

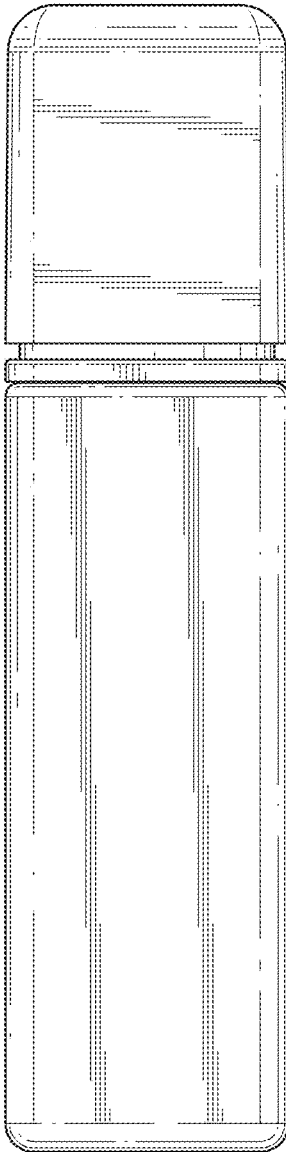


FIG. 4

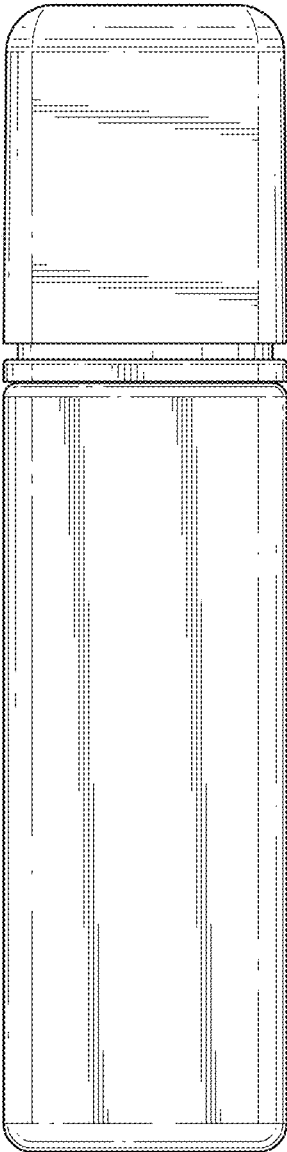


FIG. 5

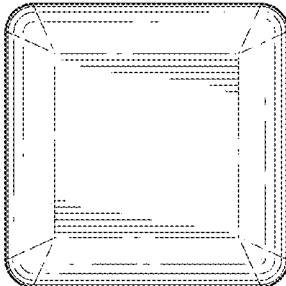


FIG. 6

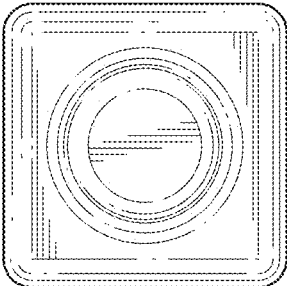


FIG. 7

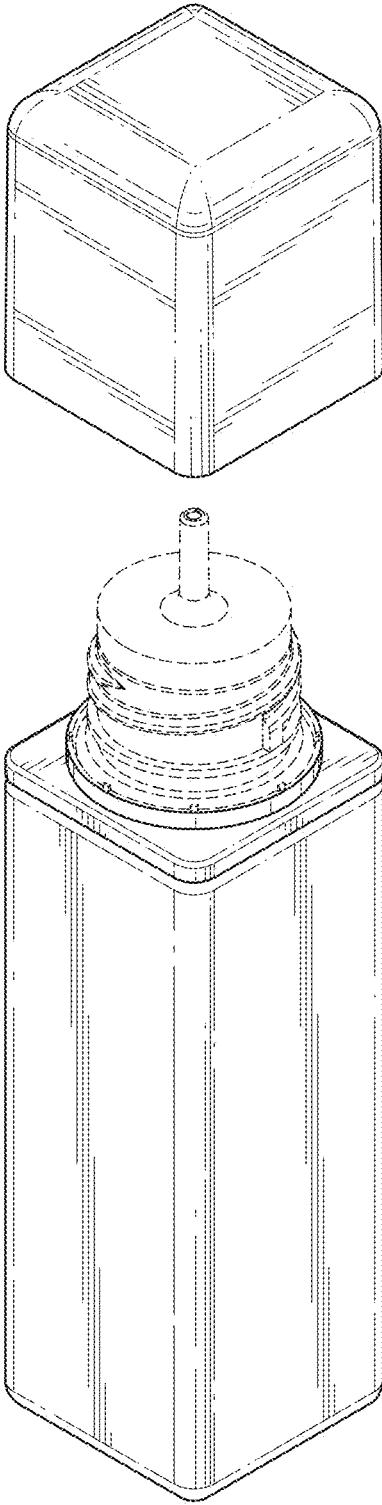


FIG. 8

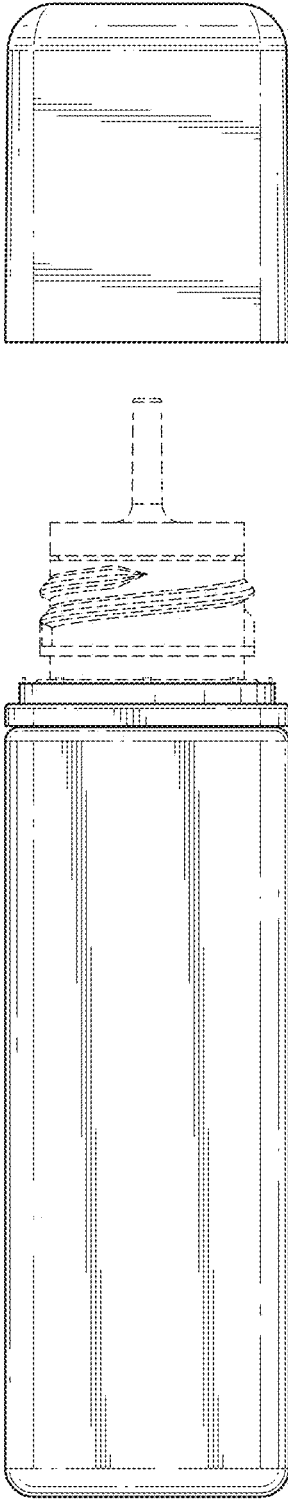


FIG. 9

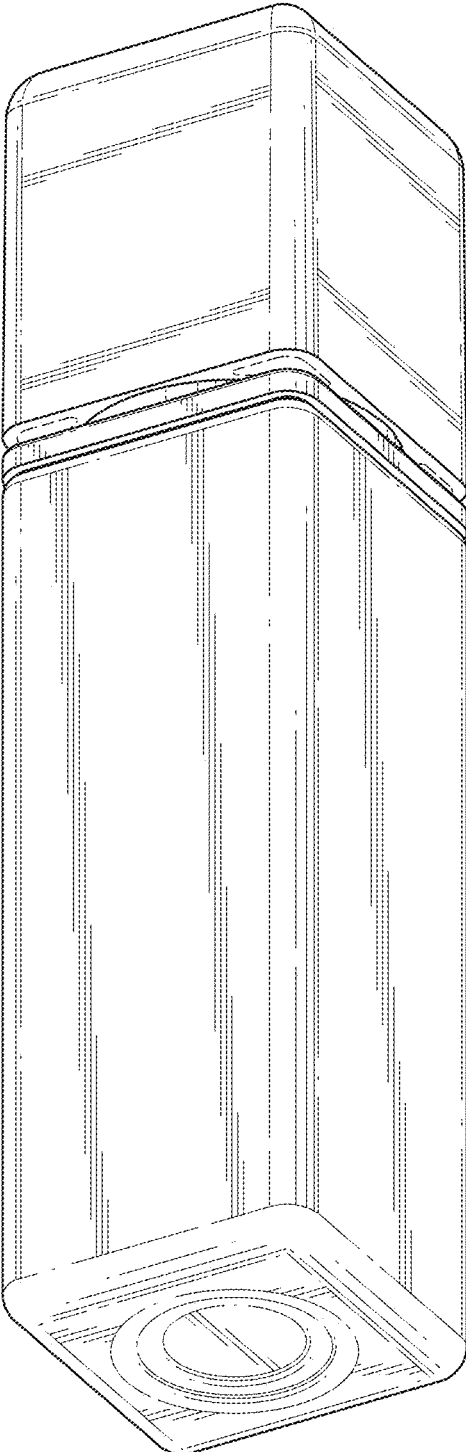


FIG. 10

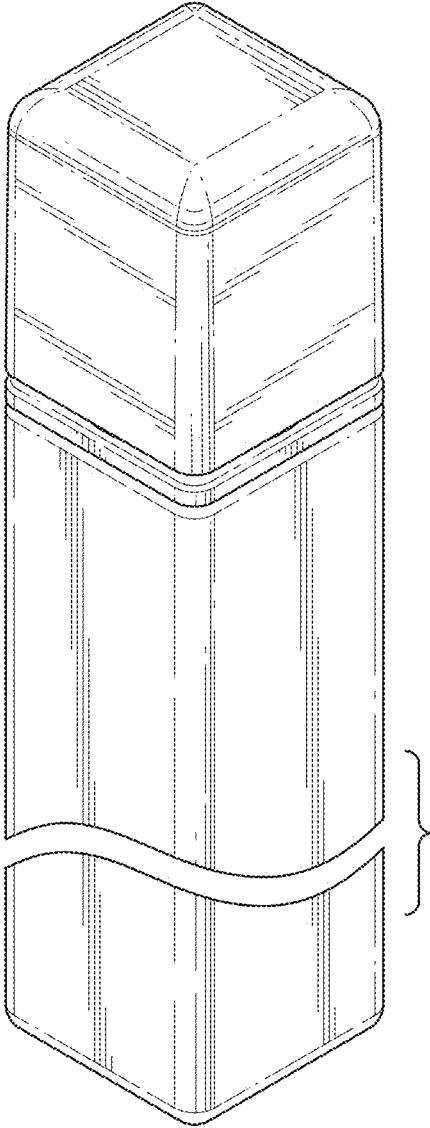


FIG. 11

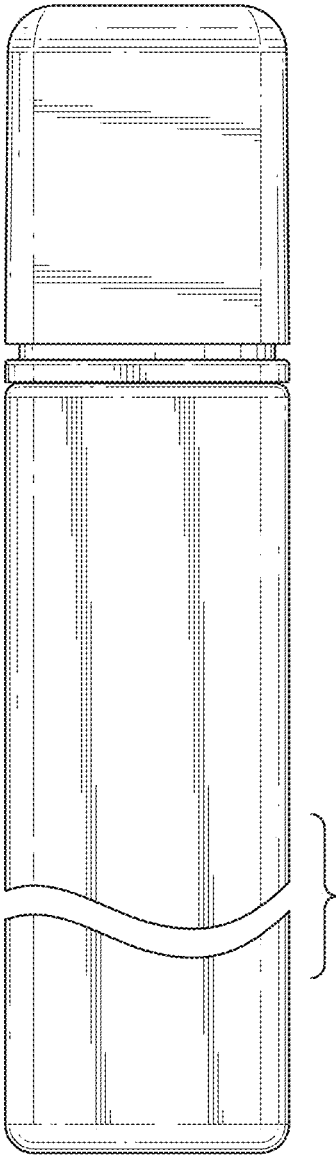


FIG. 12

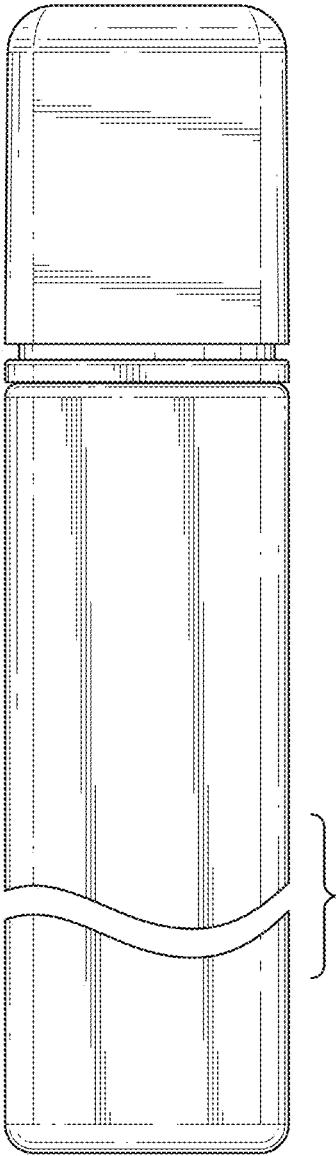


FIG. 13

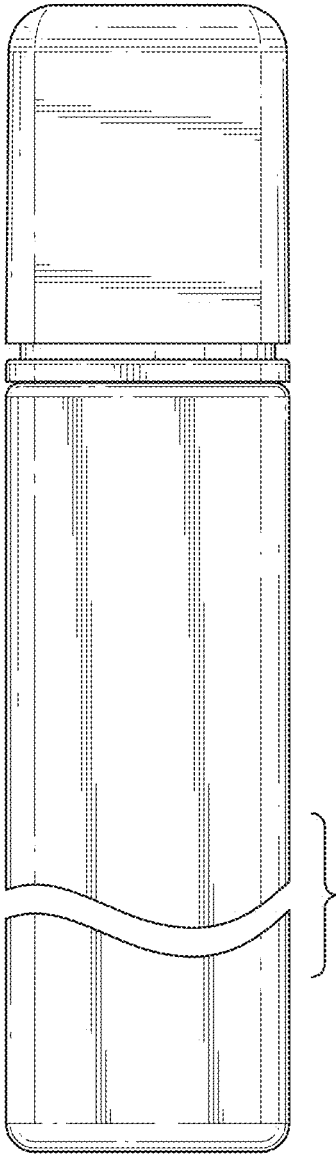


FIG. 14

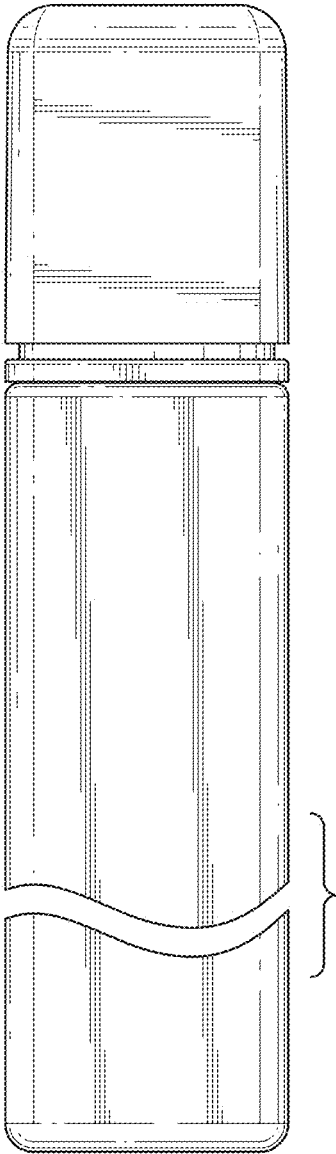


FIG. 15

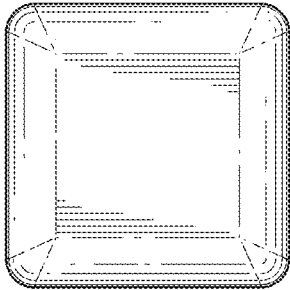


FIG. 16

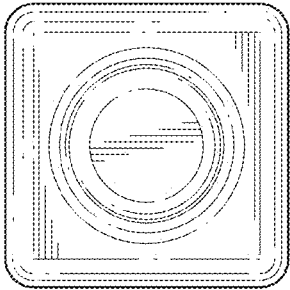


FIG. 17

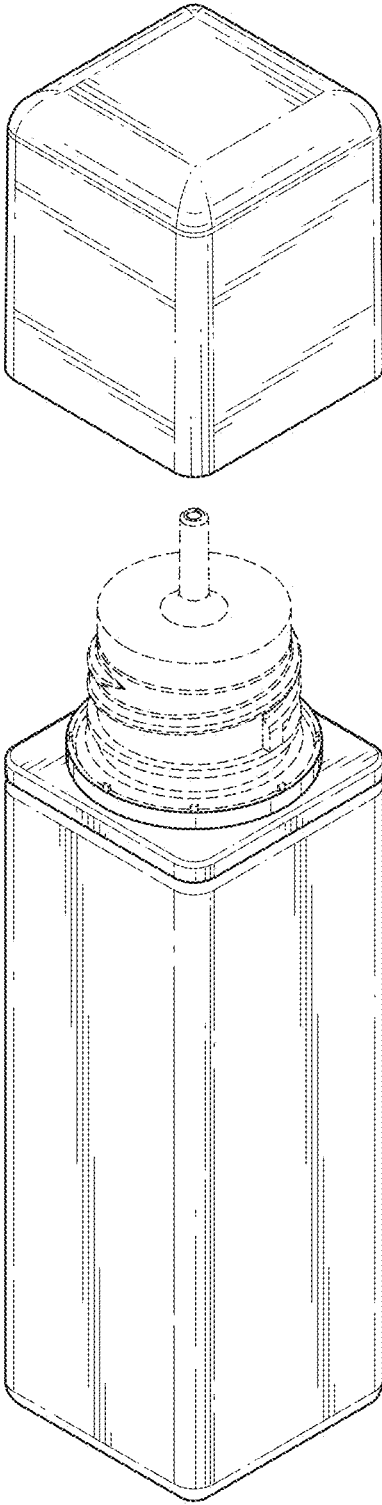


FIG. 18

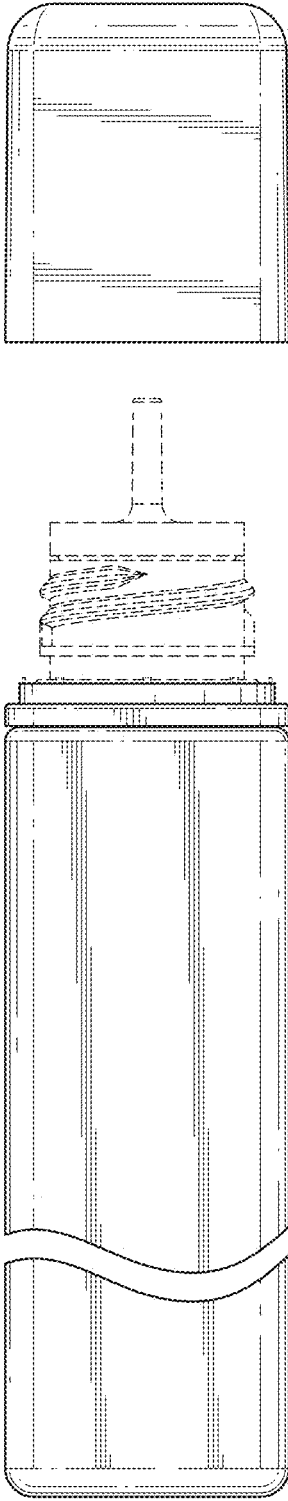


FIG. 19

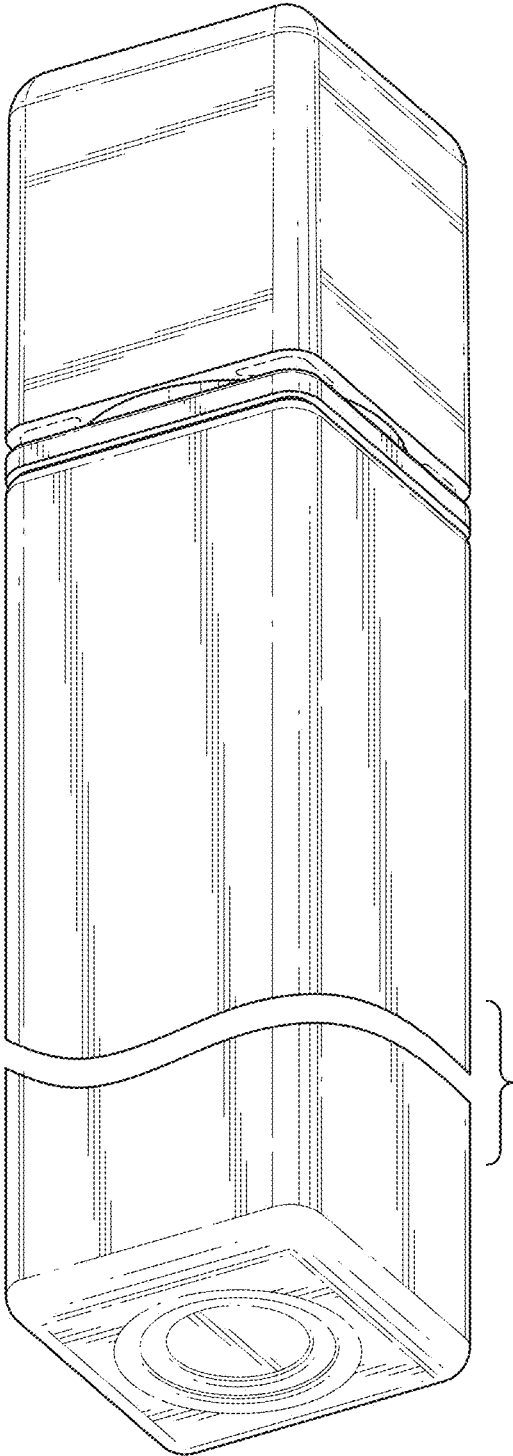


FIG. 20

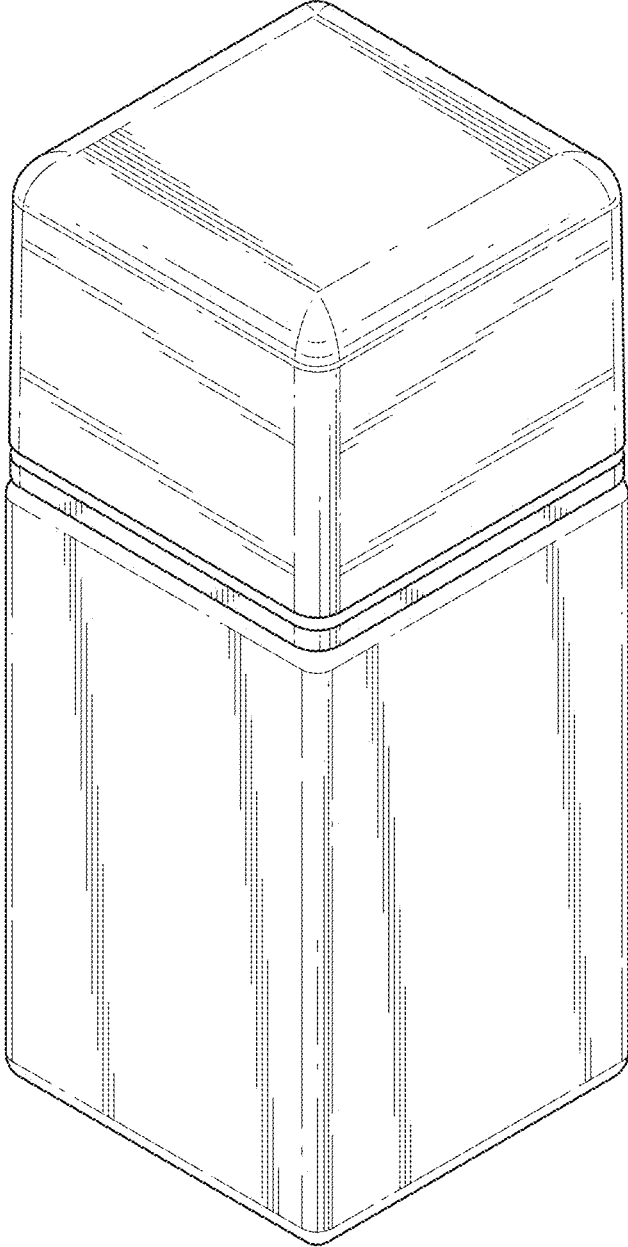


FIG. 21

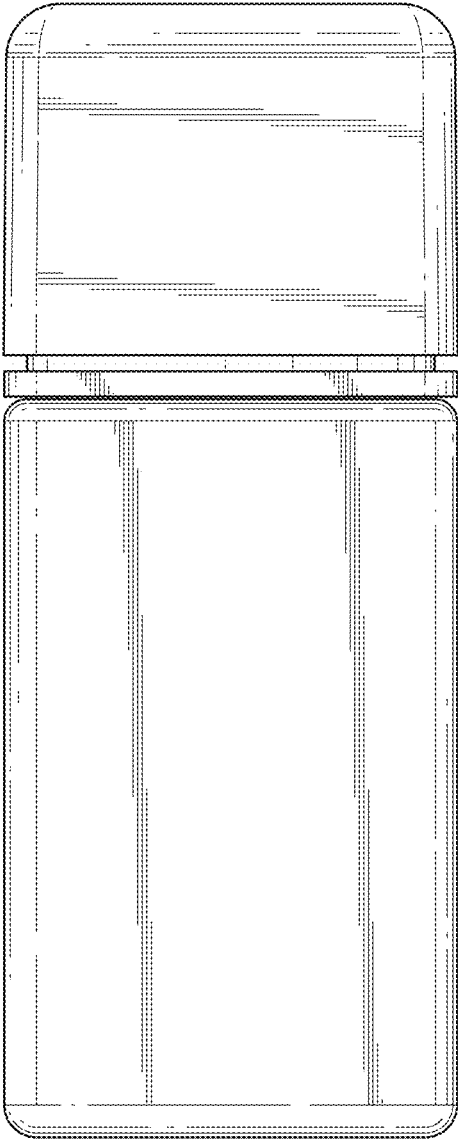


FIG. 22

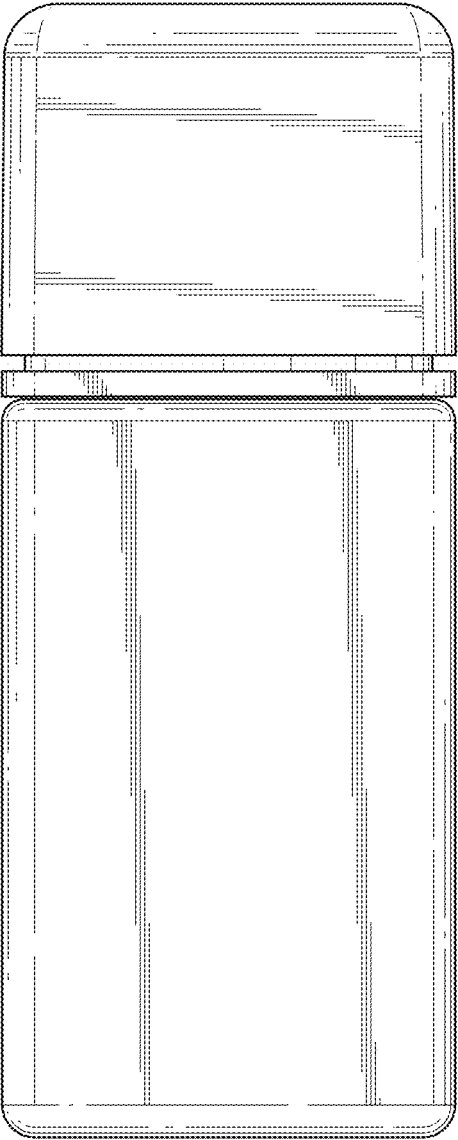


FIG. 23

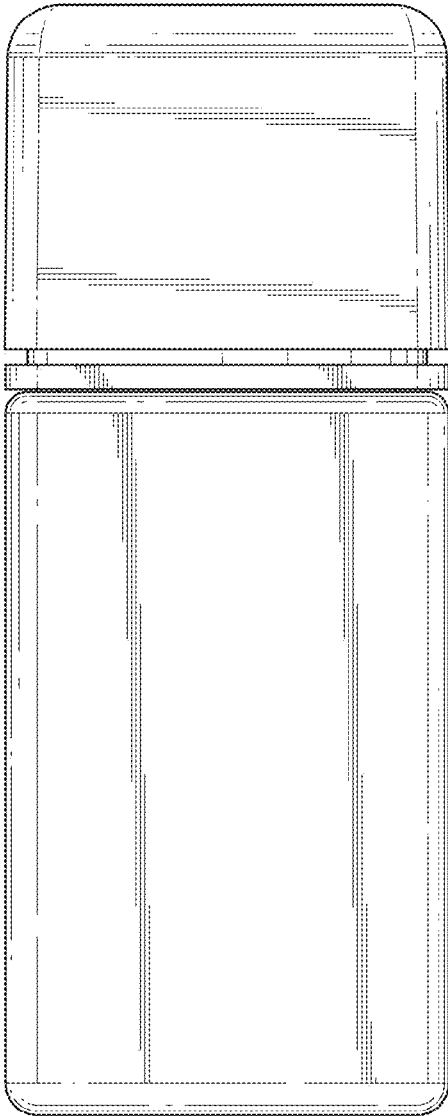


FIG. 24

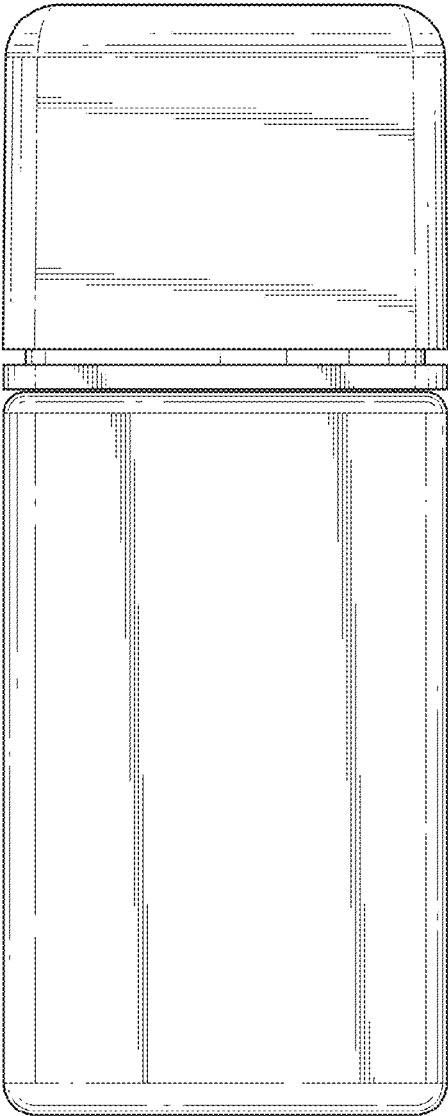


FIG. 25

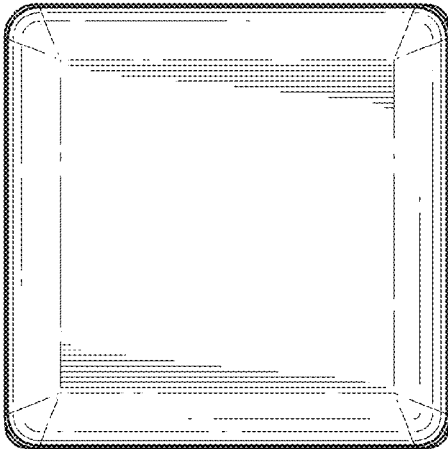


FIG. 26

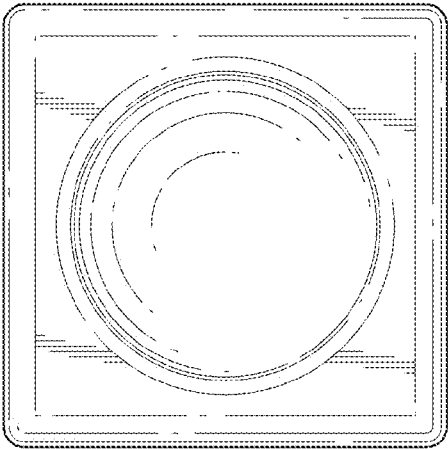


FIG. 27

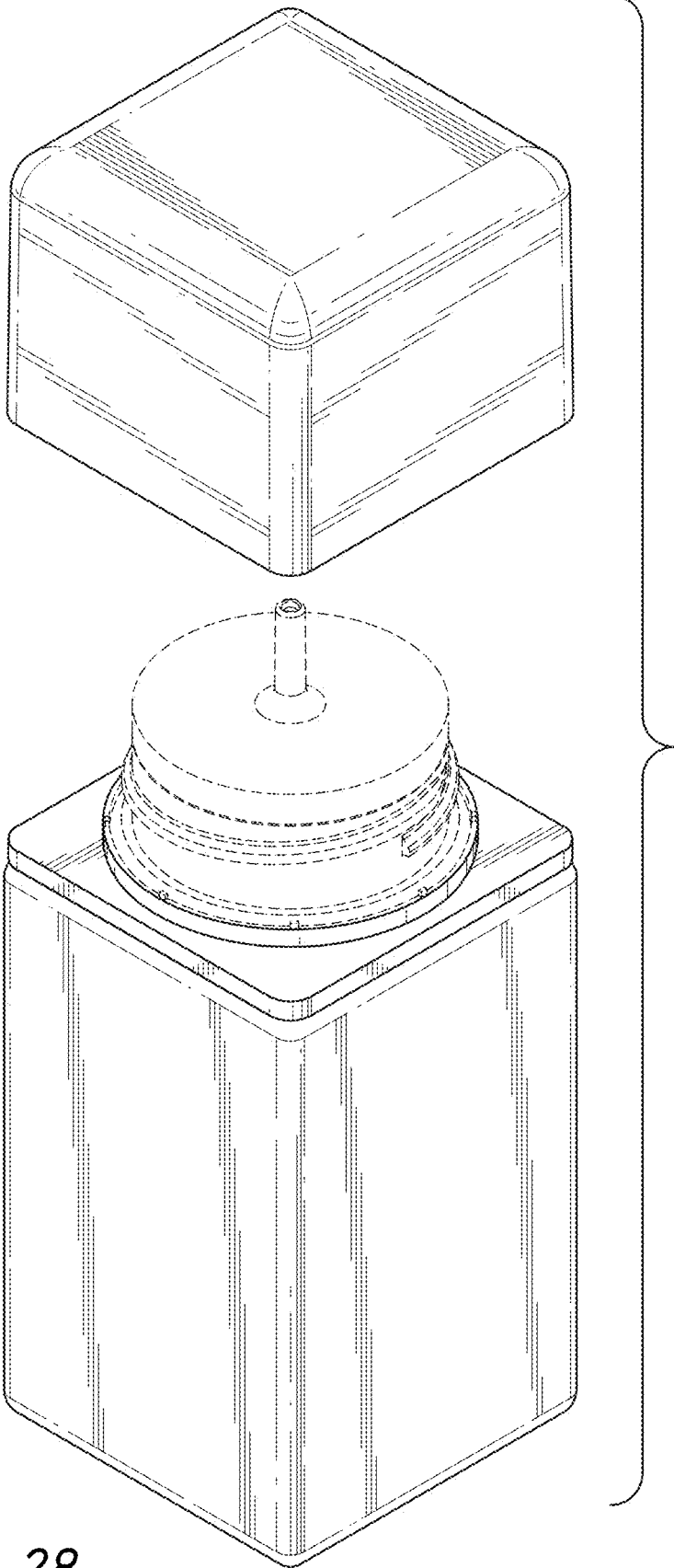


FIG. 28

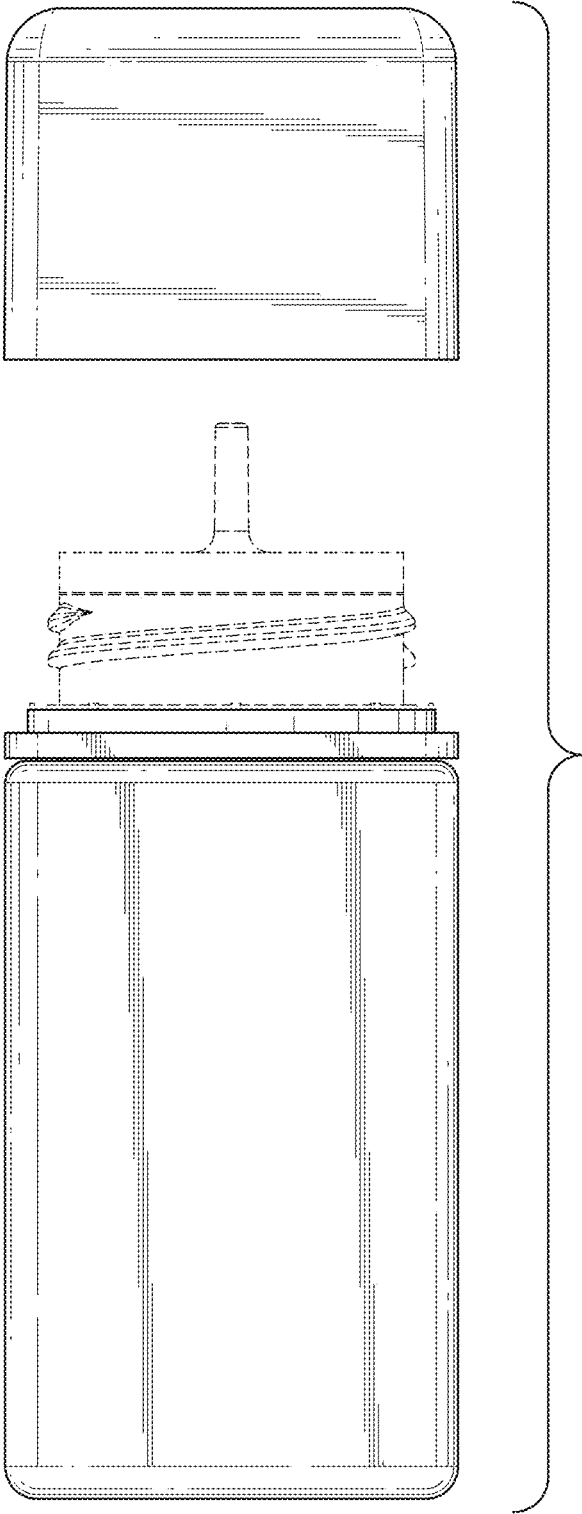


FIG. 29

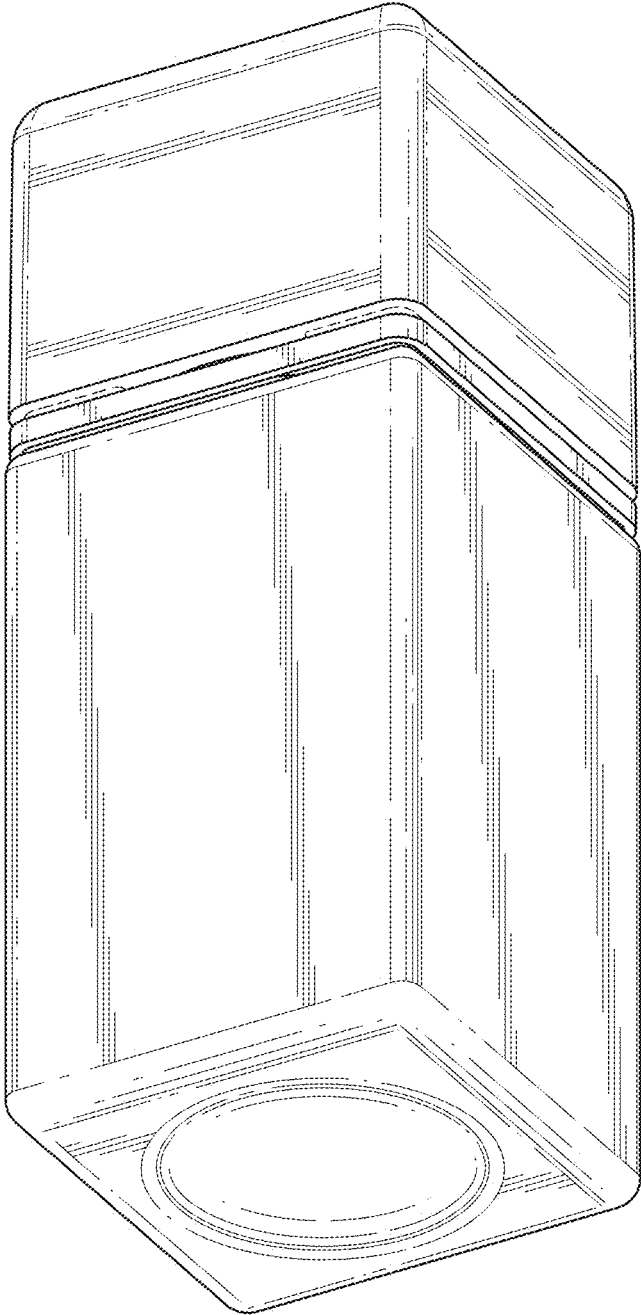


FIG. 30

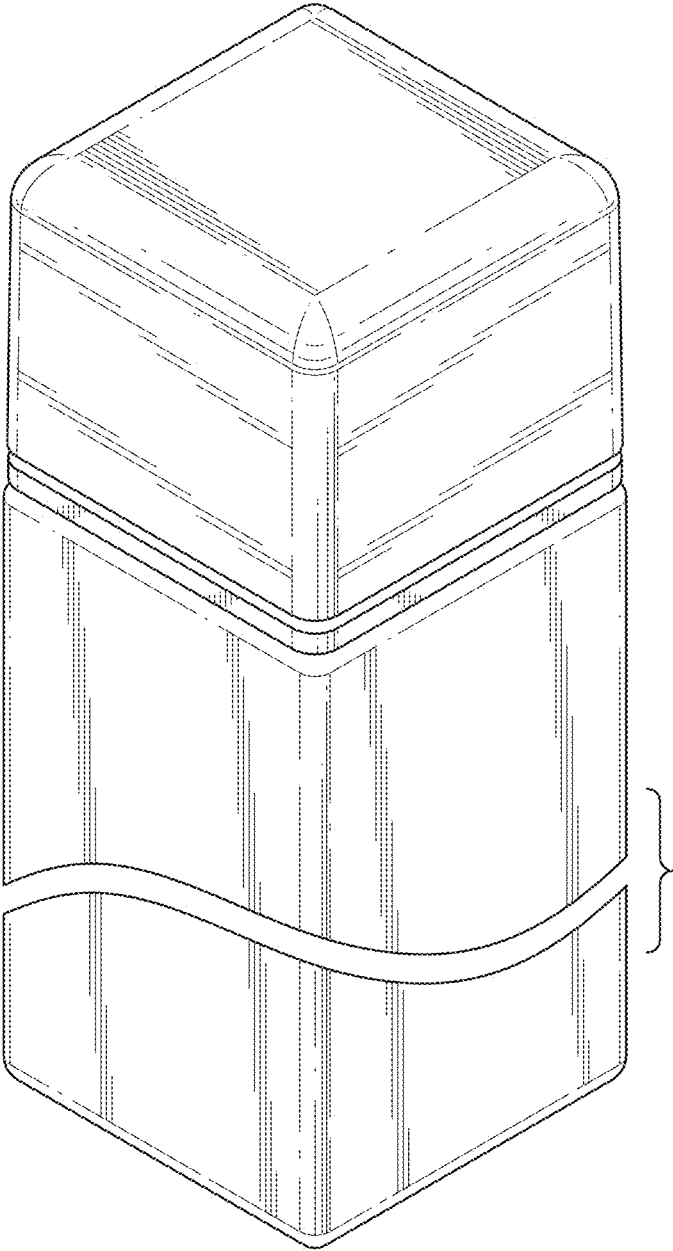


FIG. 31

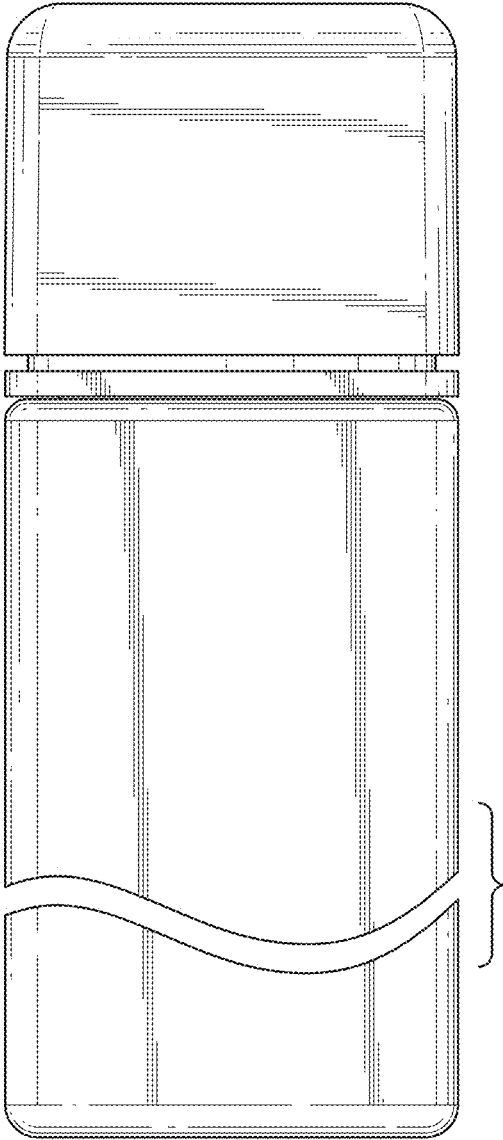


FIG. 32

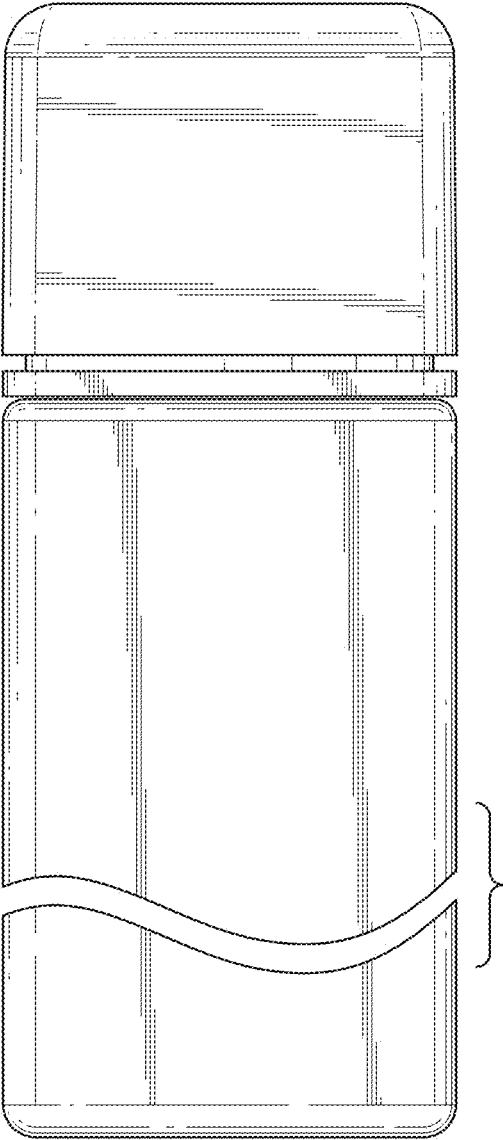


FIG. 33

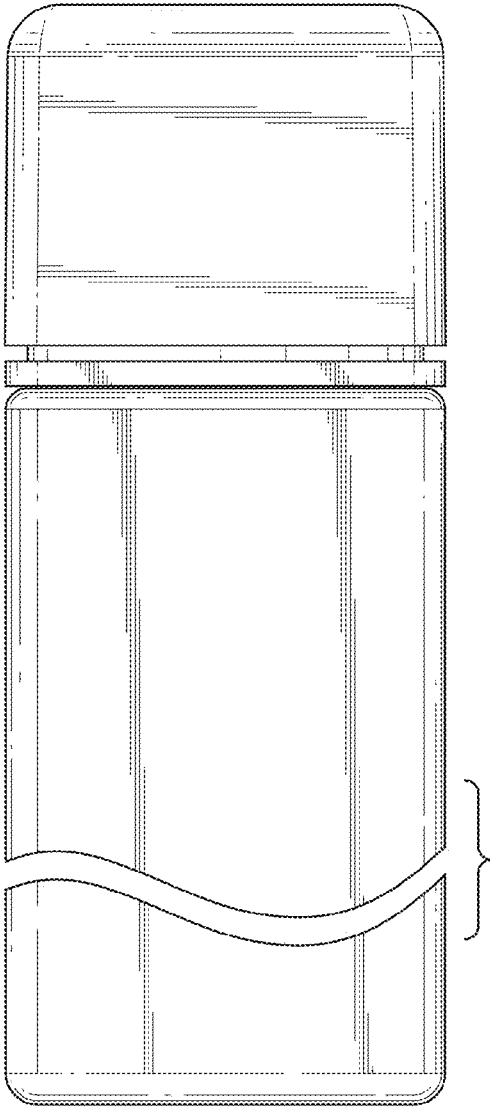


FIG. 34

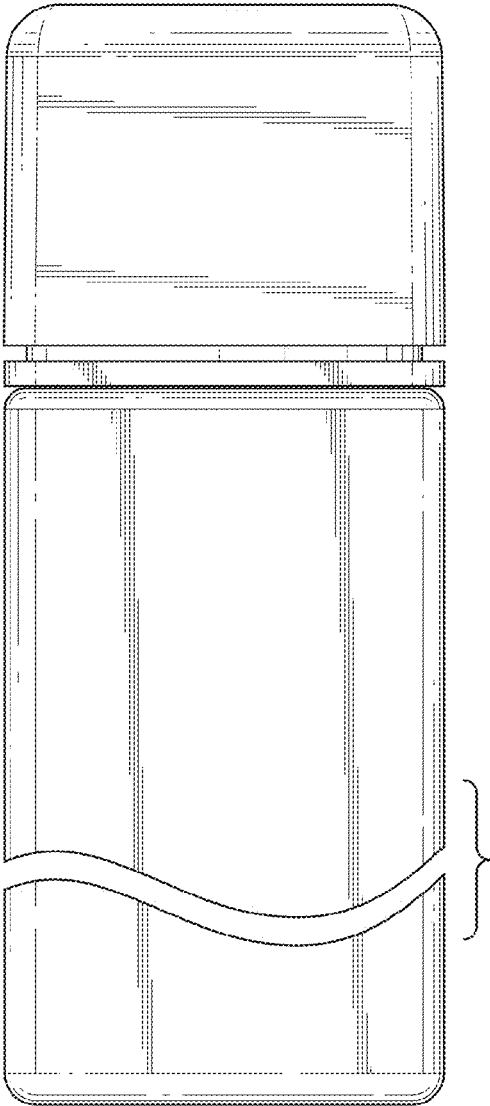


FIG. 35

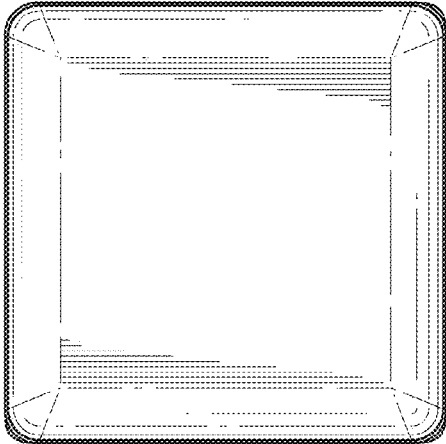


FIG. 36

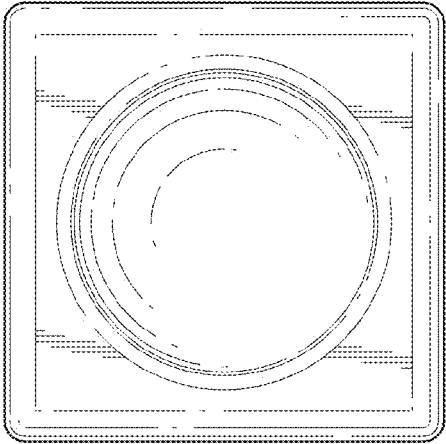


FIG. 37

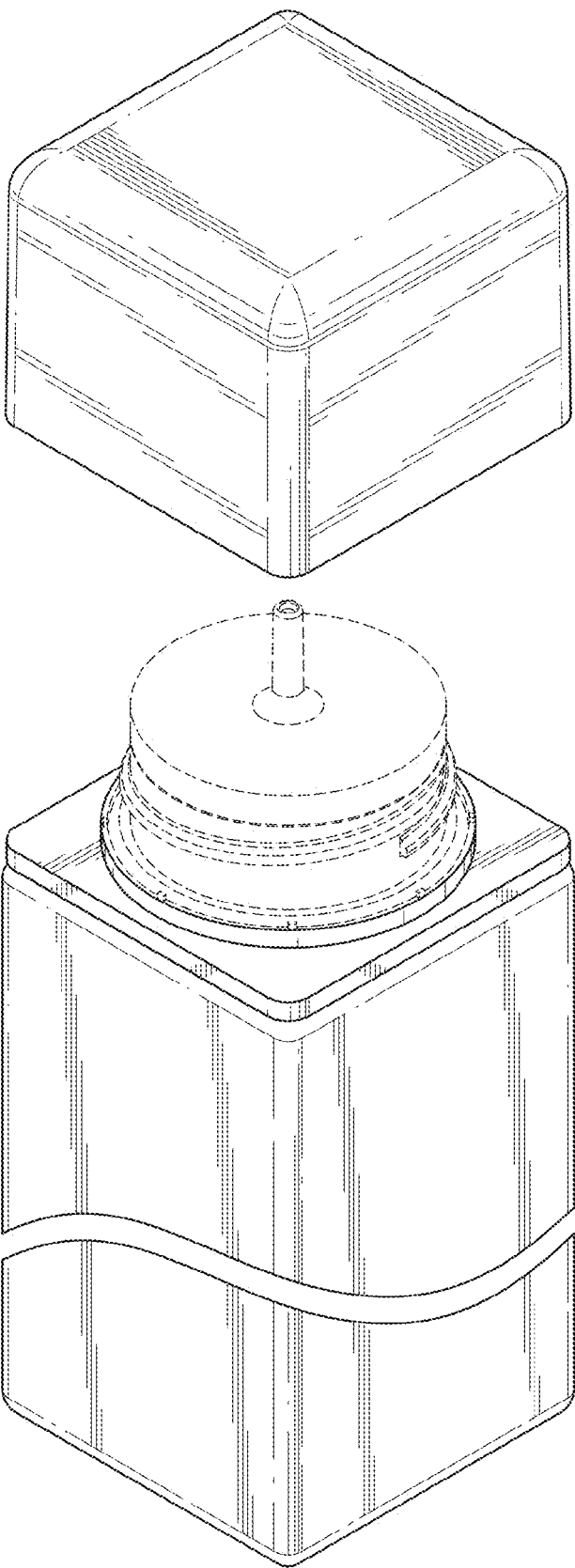


FIG. 38

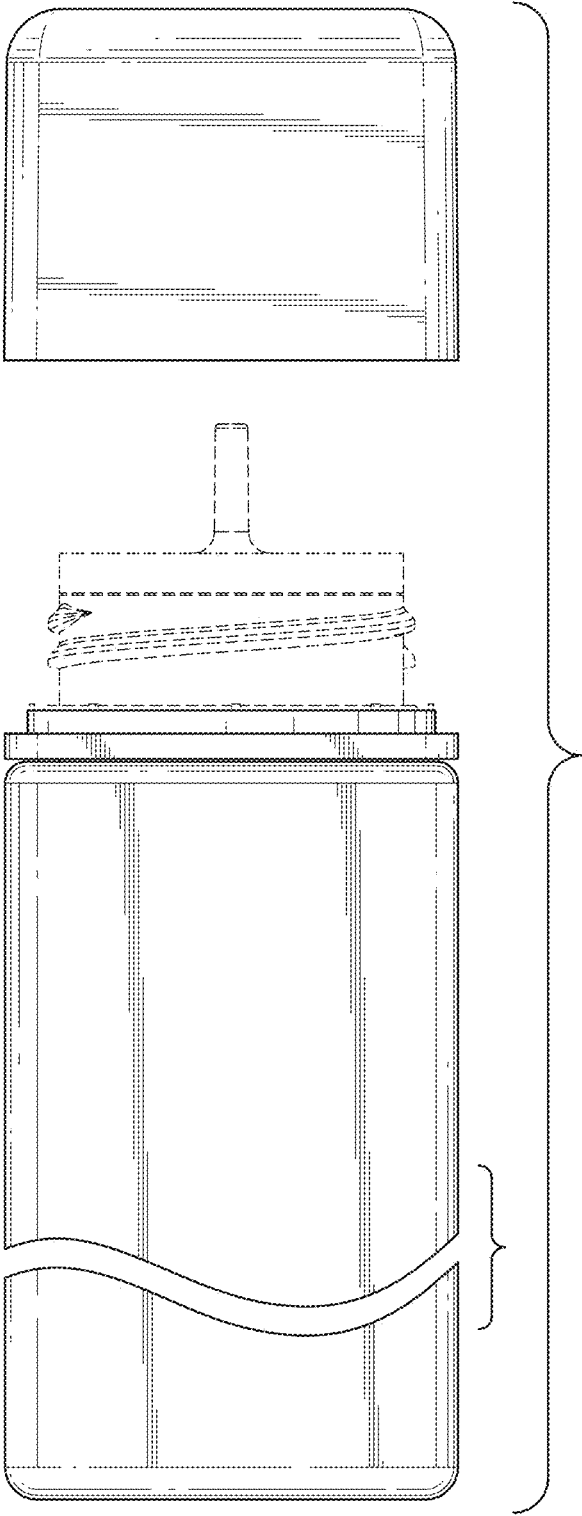


FIG. 39

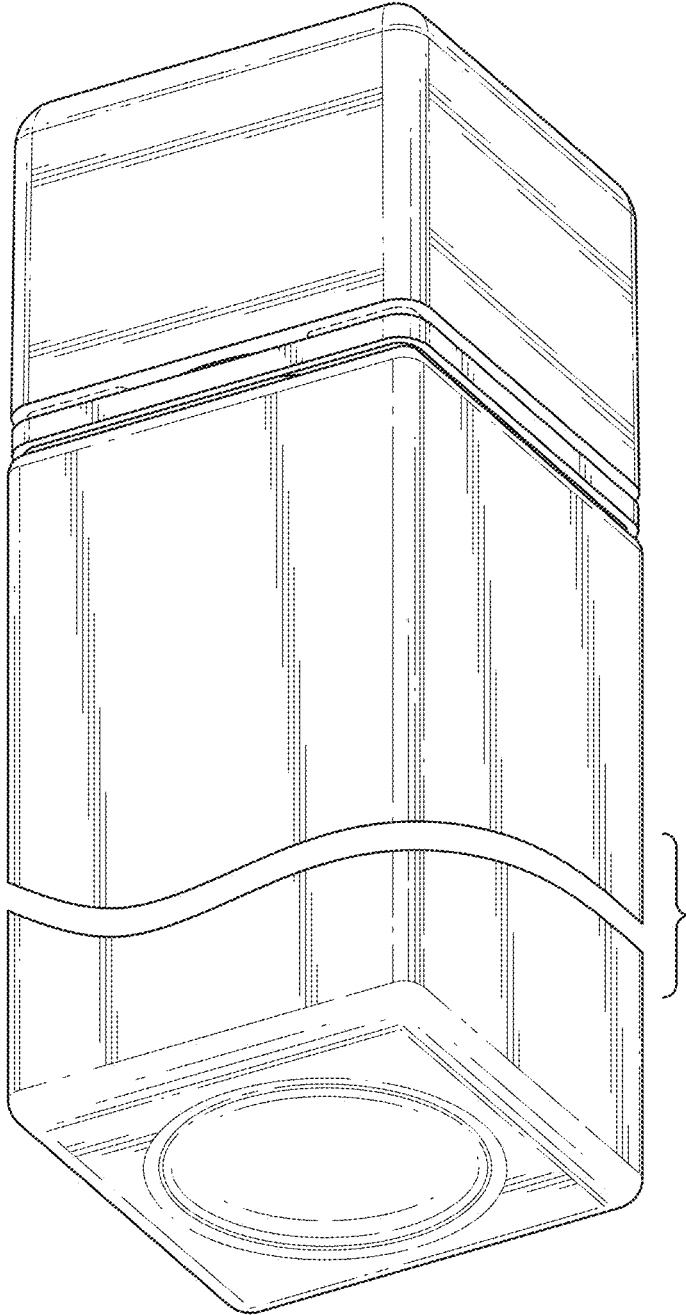


FIG. 40

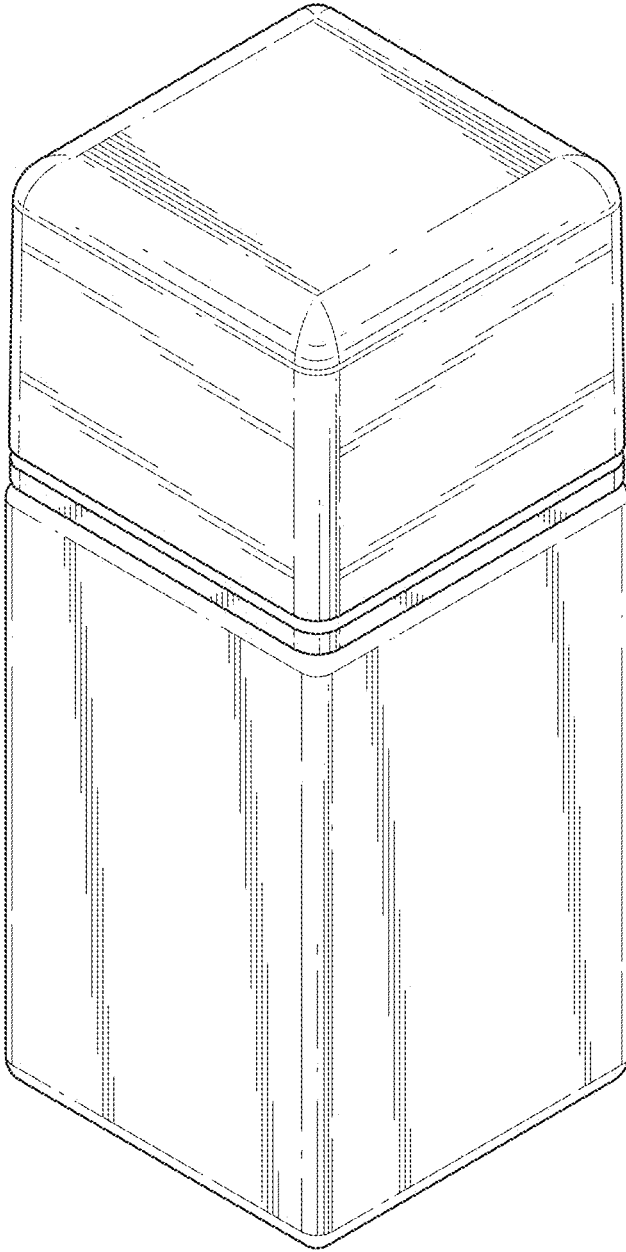


FIG. 41

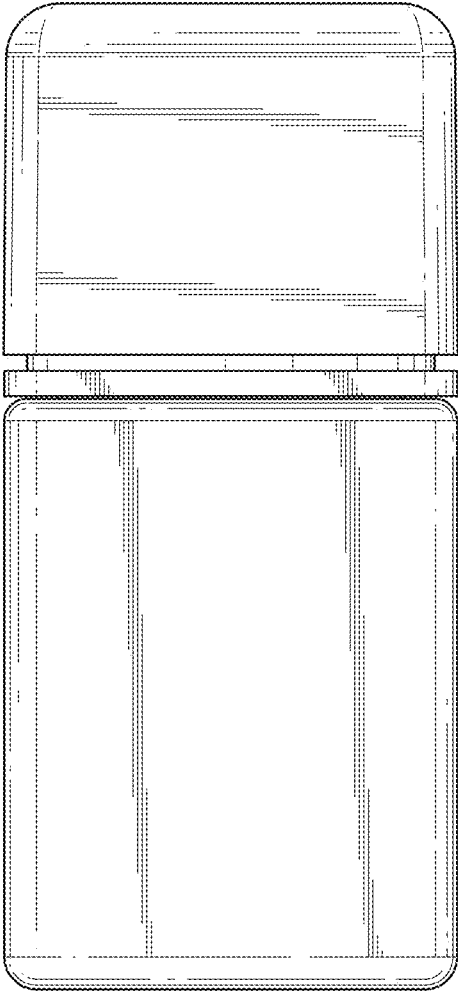


FIG. 42

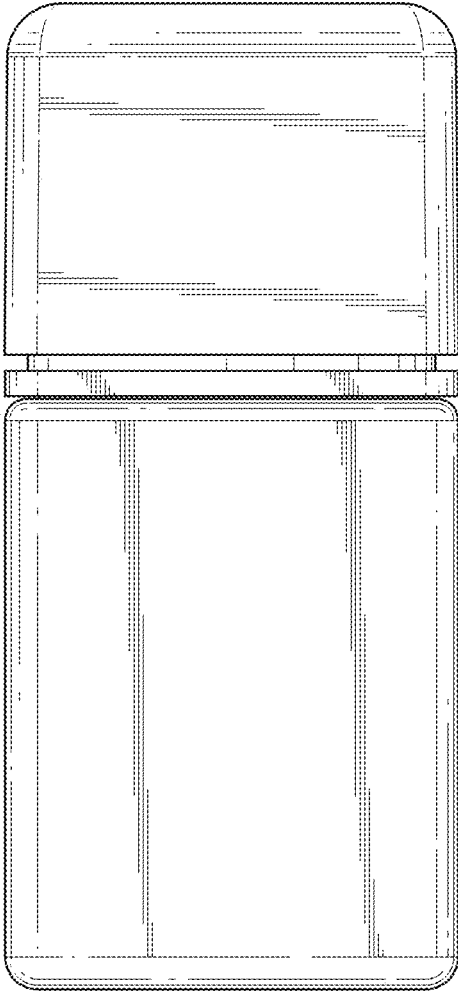


FIG. 43

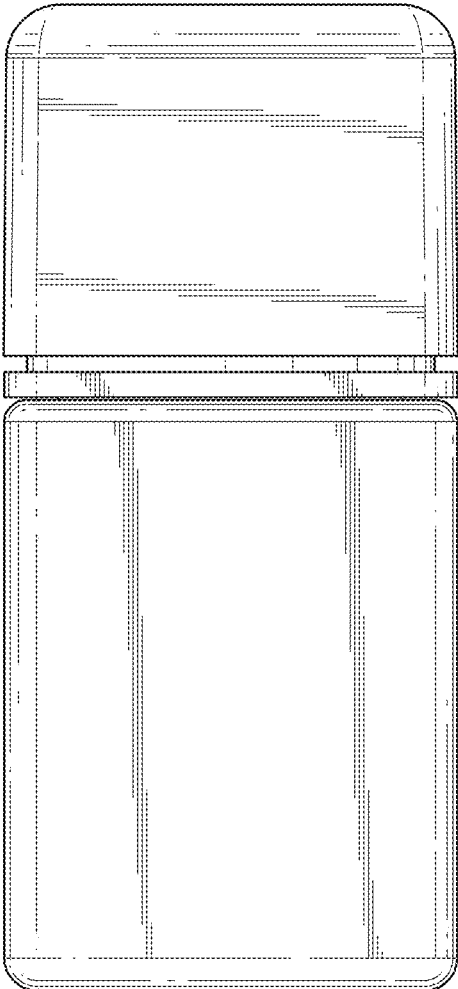


FIG. 44

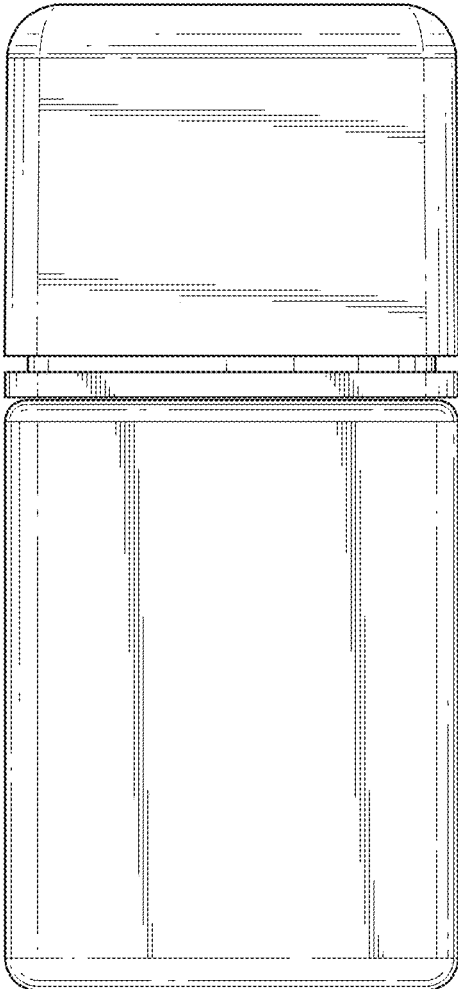


FIG. 45

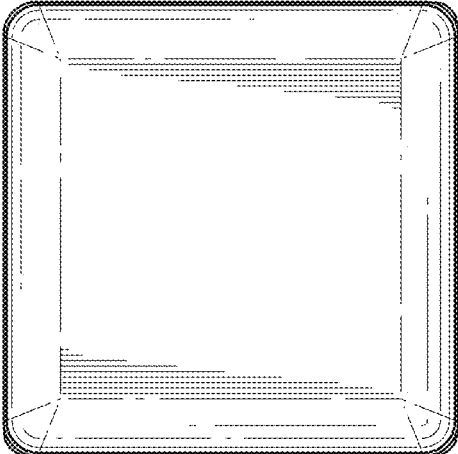


FIG. 46

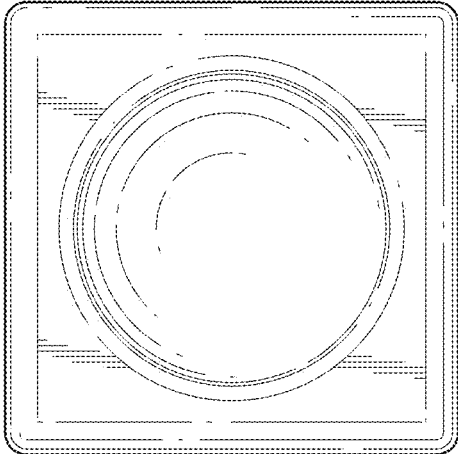


FIG. 47

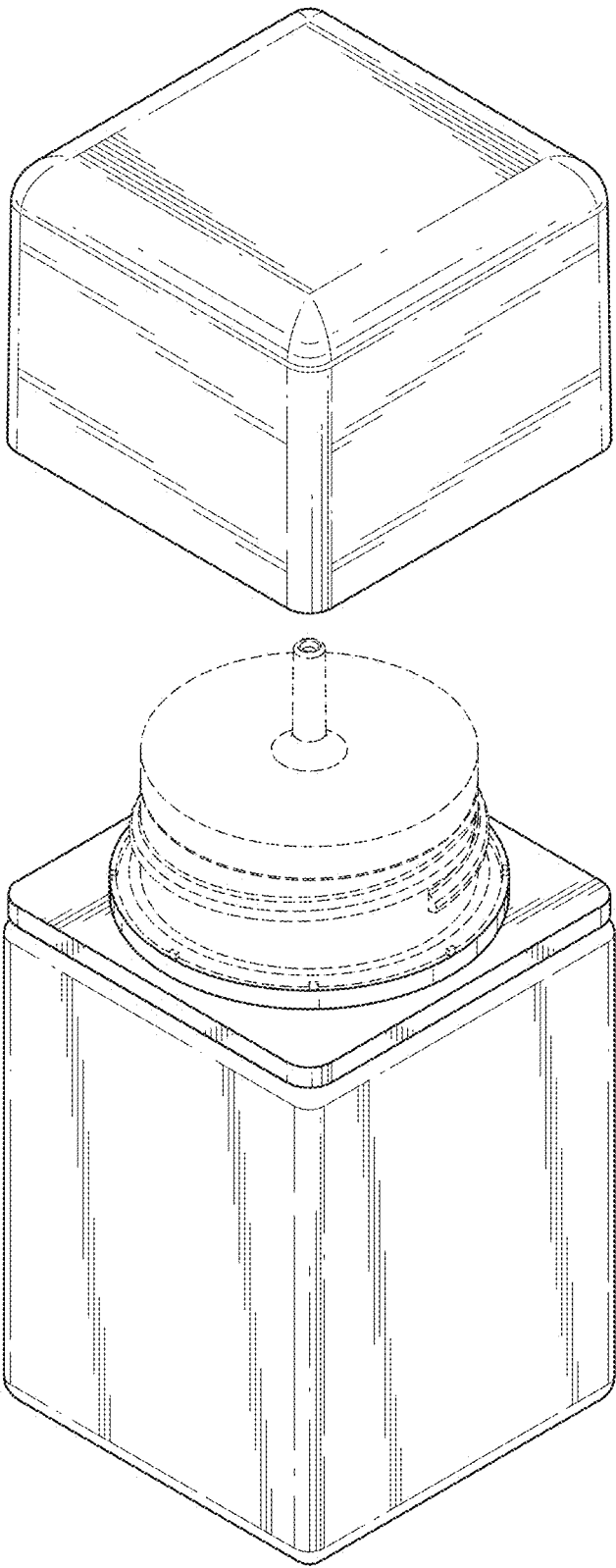


FIG. 48

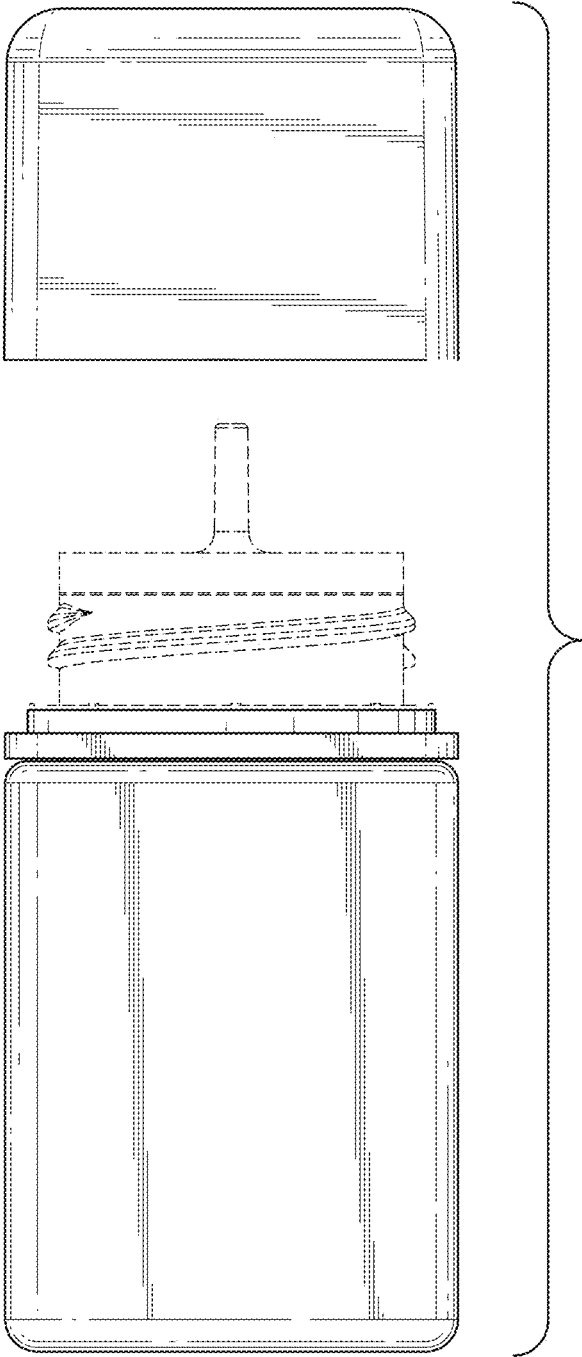


FIG. 49

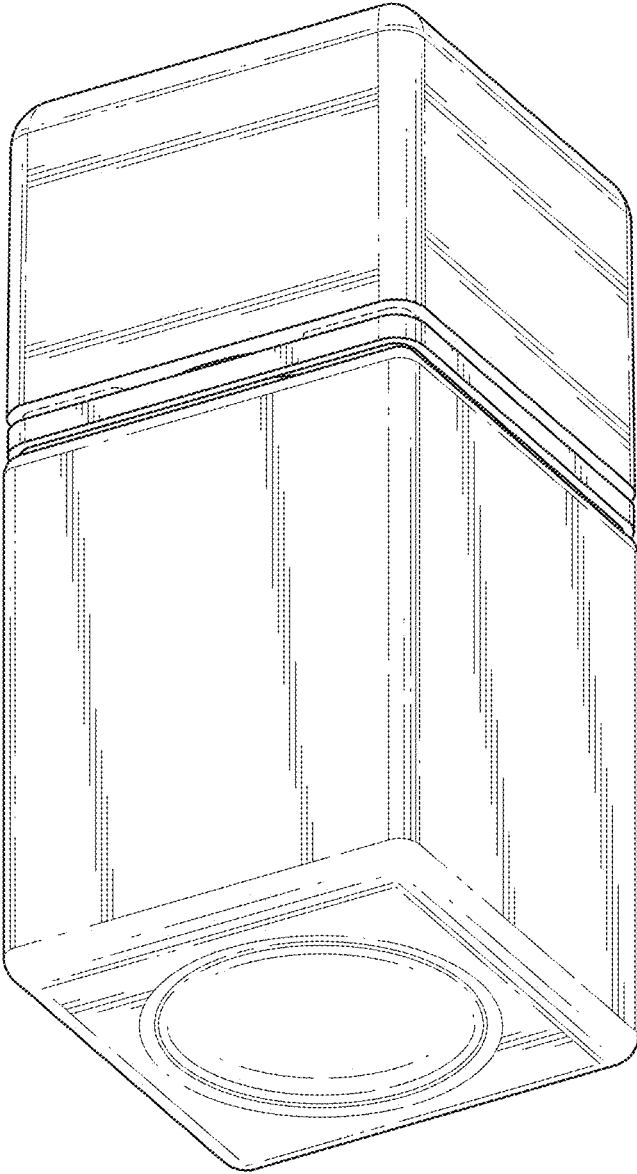


FIG. 50