



US00D713483S

(12) **United States Design Patent**
Firpo, I et al.

(10) **Patent No.:** **US D713,483 S**

(45) **Date of Patent:** **** Sep. 16, 2014**

(54) **FIREARM UPPER RECEIVER**

Primary Examiner — Michael A Pratt

(74) *Attorney, Agent, or Firm* — Mark Young, P.A.

(71) Applicant: **GPI Custom Gunworks, LLC,**
Jacksonville, FL (US)

(57) **CLAIM**

(72) Inventors: **Lee Firpo, I,** Jacksonville, FL (US);
Darin Phipps, Jacksonville, FL (US);
Michael Phipps, Reseda, CA (US)

The ornamental design for a firearm upper receiver, as shown and described.

(**) Term: **14 Years**

DESCRIPTION

(21) Appl. No.: **29/452,401**

FIG. 1 is a front view of a firearm upper receiver.
FIG. 2 is a first side view of the firearm upper receiver shown in FIG. 1.

(22) Filed: **Apr. 16, 2013**

FIG. 3 is a back view of the firearm upper receiver shown in FIG. 1.

(51) **LOC (10) Cl.** **22-01**

FIG. 4 is a plan view of the firearm upper receiver shown in FIG. 1.

(52) **U.S. Cl.**

USPC **D22/108**

FIG. 5 is a second side view of the firearm upper receiver shown in FIG. 1.

(58) **Field of Classification Search**

USPC D22/103, 108; 42/71.01; 89/40.06,
89/41.19, 37.04, 33.04, 191.01, 200–204;
D21/572–575; 124/67, 66, 72, 74

FIG. 6 is a bottom view of the firearm upper receiver shown in FIG. 1.

See application file for complete search history.

FIG. 7 is a first top perspective view of the firearm upper receiver shown in FIG. 1.

(56) **References Cited**

U.S. PATENT DOCUMENTS

FIG. 8 is second top perspective of the firearm upper receiver shown in FIG. 1.

7,444,775	B1 *	11/2008	Schuetz	42/76.01
D631,933	S *	2/2011	Thompson	D22/108
8,230,634	B1 *	7/2012	Davies et al.	42/75.02
8,464,453	B1 *	6/2013	Ubl et al.	42/16
8,484,877	B2 *	7/2013	Zimmerman	42/75.01
8,661,963	B2 *	3/2014	Patel	89/199
2011/0214327	A1 *	9/2011	Desomma	42/75.02
2012/0117845	A1 *	5/2012	Desomma	42/75.02
2012/0174451	A1 *	7/2012	Overstreet et al.	42/16
2012/0222344	A1 *	9/2012	Werner	42/94
2013/0219763	A1 *	8/2013	Nunes	42/16
2014/0000142	A1 *	1/2014	Patel	42/14
2014/0075804	A1 *	3/2014	Langevin et al.	42/16
2014/0115936	A1 *	5/2014	Kenney	42/16

FIG. 9 is a third top perspective view of the firearm upper receiver shown in FIG. 1.

FIG. 10 is a fourth top perspective view of the firearm upper receiver shown in FIG. 1.

FIG. 11 is a first bottom perspective view of the firearm upper receiver shown in FIG. 1.

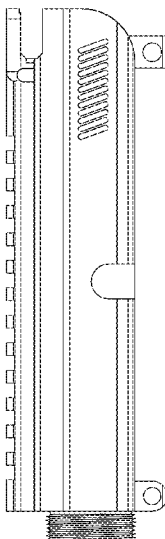
FIG. 12 is second bottom perspective of the firearm upper receiver shown in FIG. 1.

FIG. 13 is a third bottom perspective view of the firearm upper receiver shown in FIG. 1; and,

FIG. 14 is a fourth bottom perspective view of the firearm upper receiver shown in FIG. 1.

* cited by examiner

1 Claim, 14 Drawing Sheets



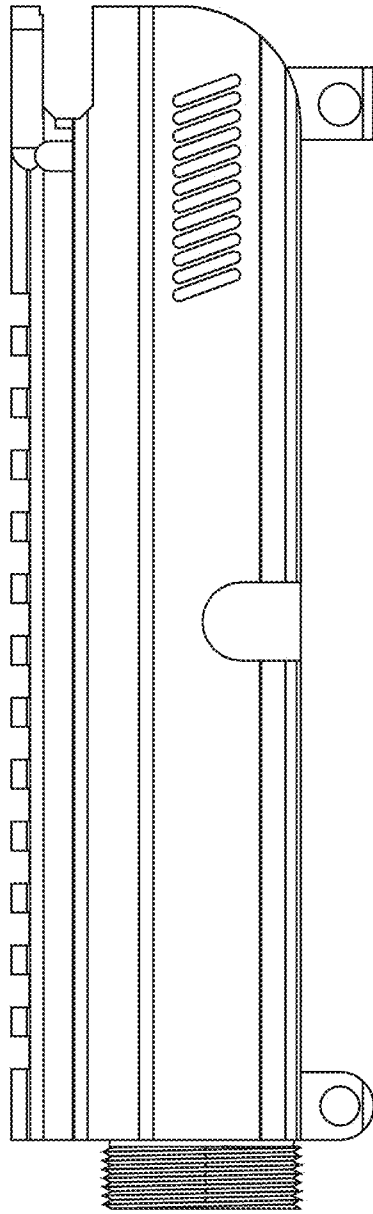


FIG. 1

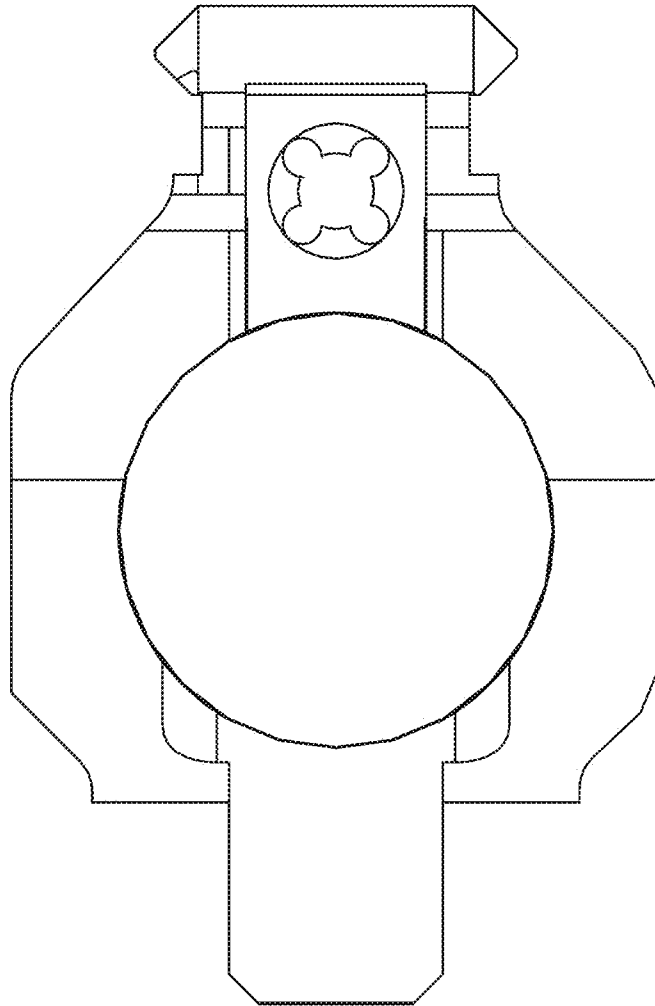


FIG. 2

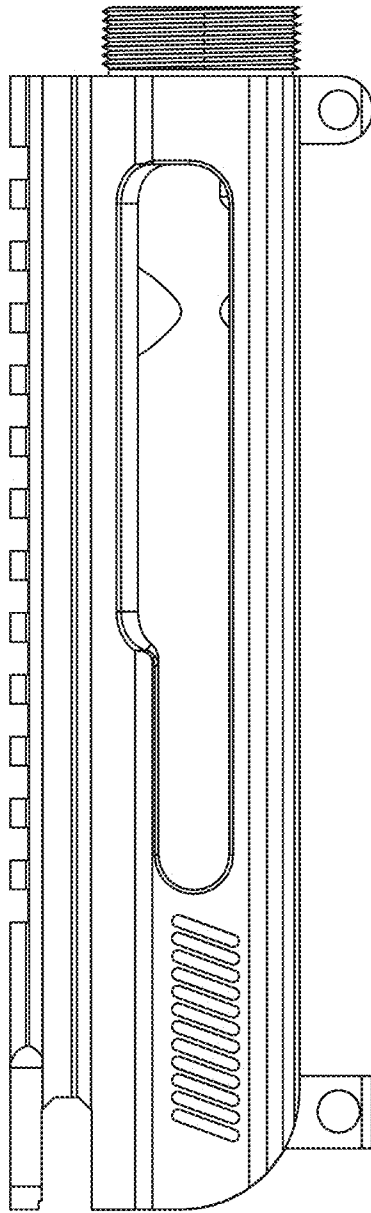


FIG. 3

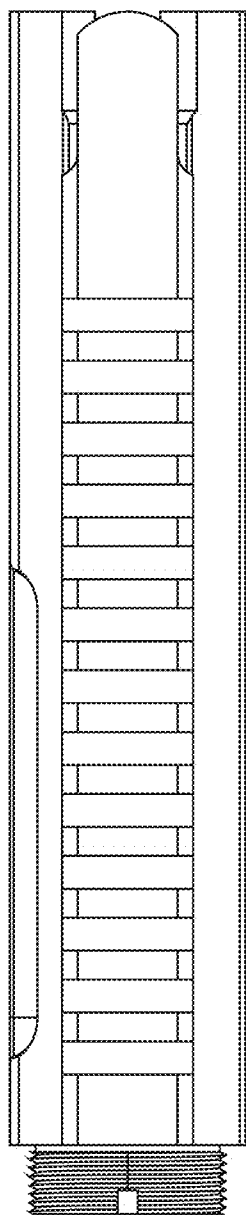


FIG. 4

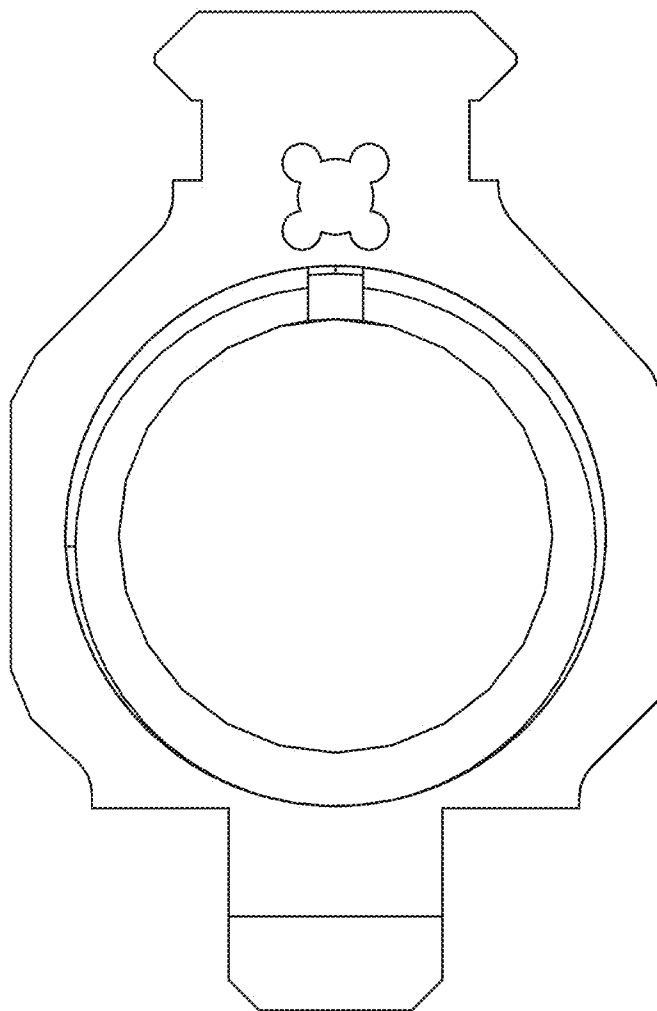


FIG. 5

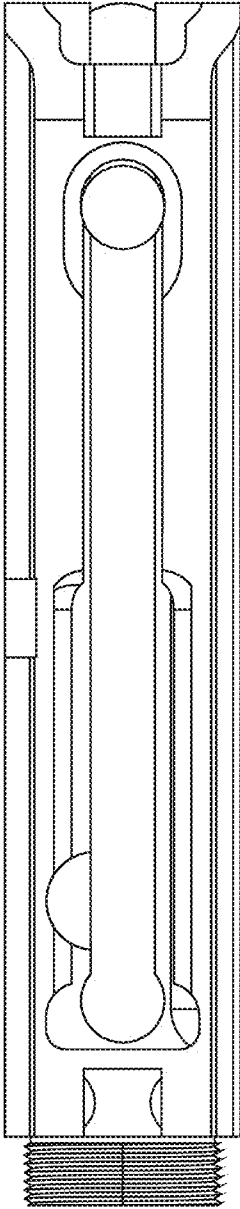


FIG. 6

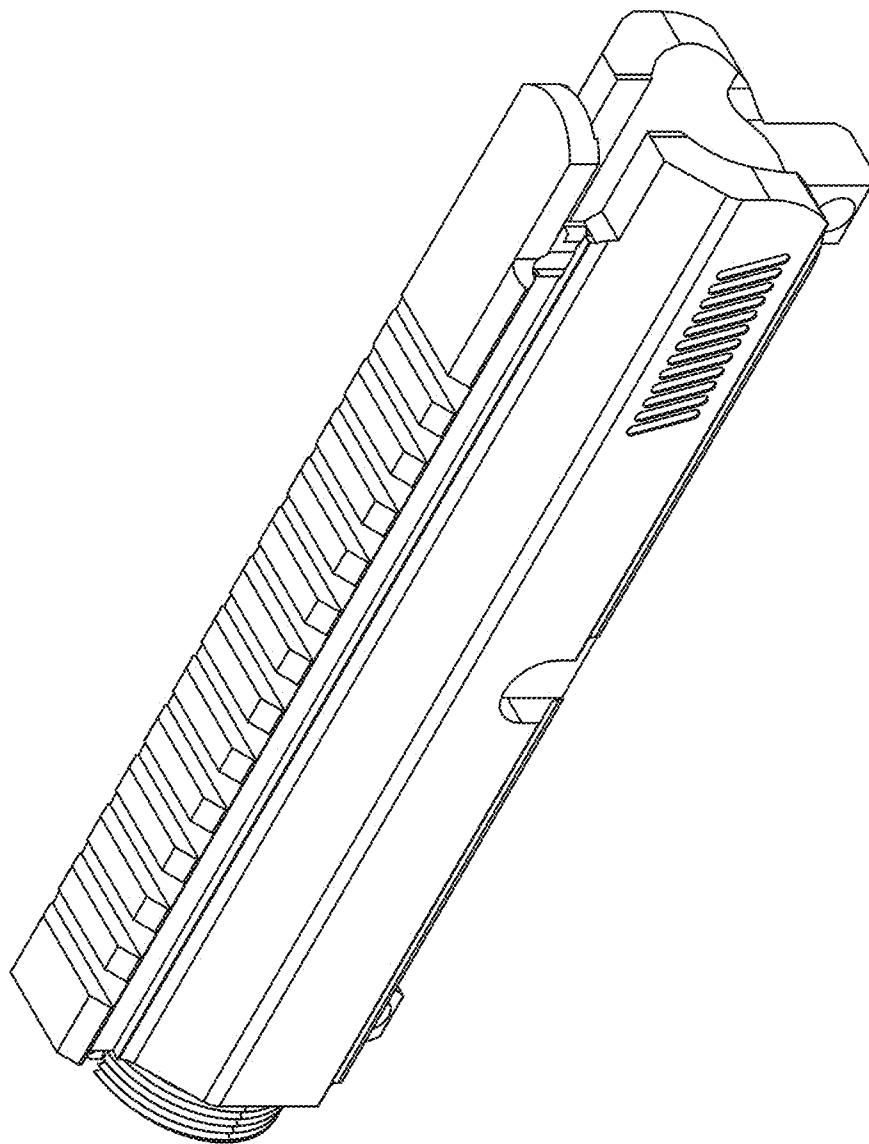


FIG. 7

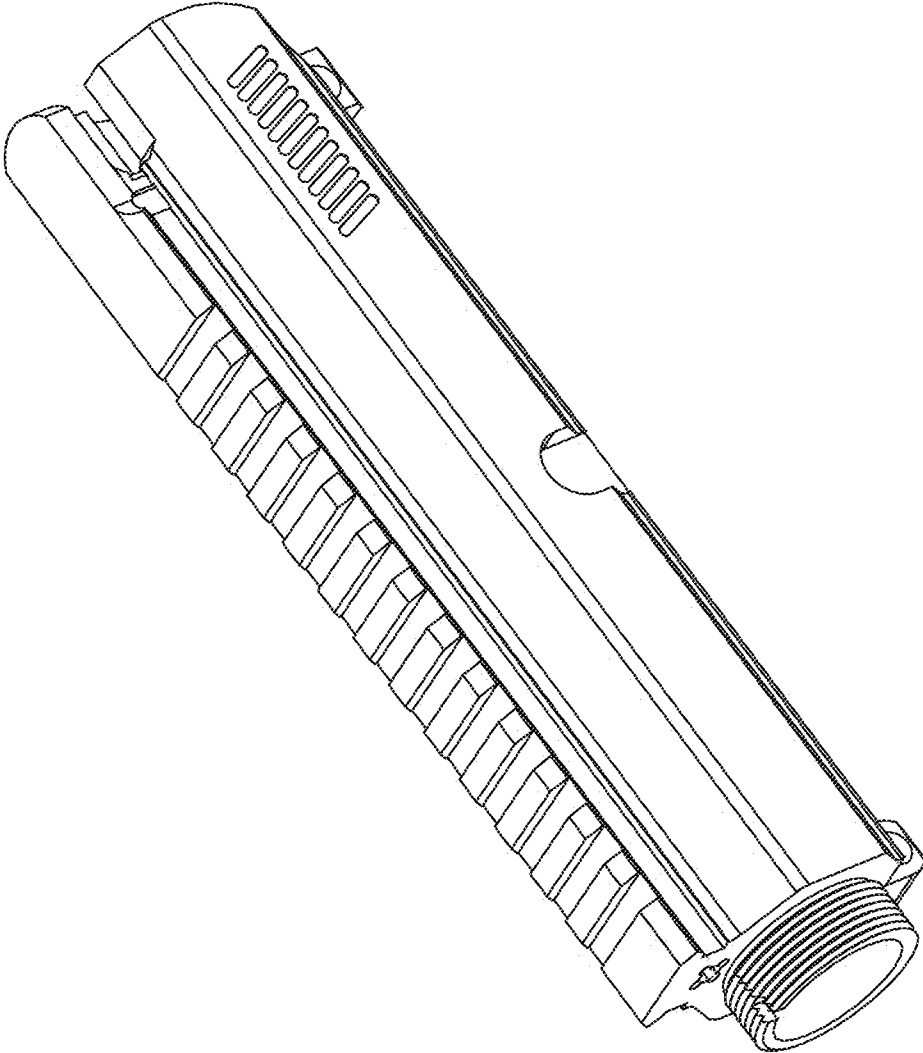


FIG. 8

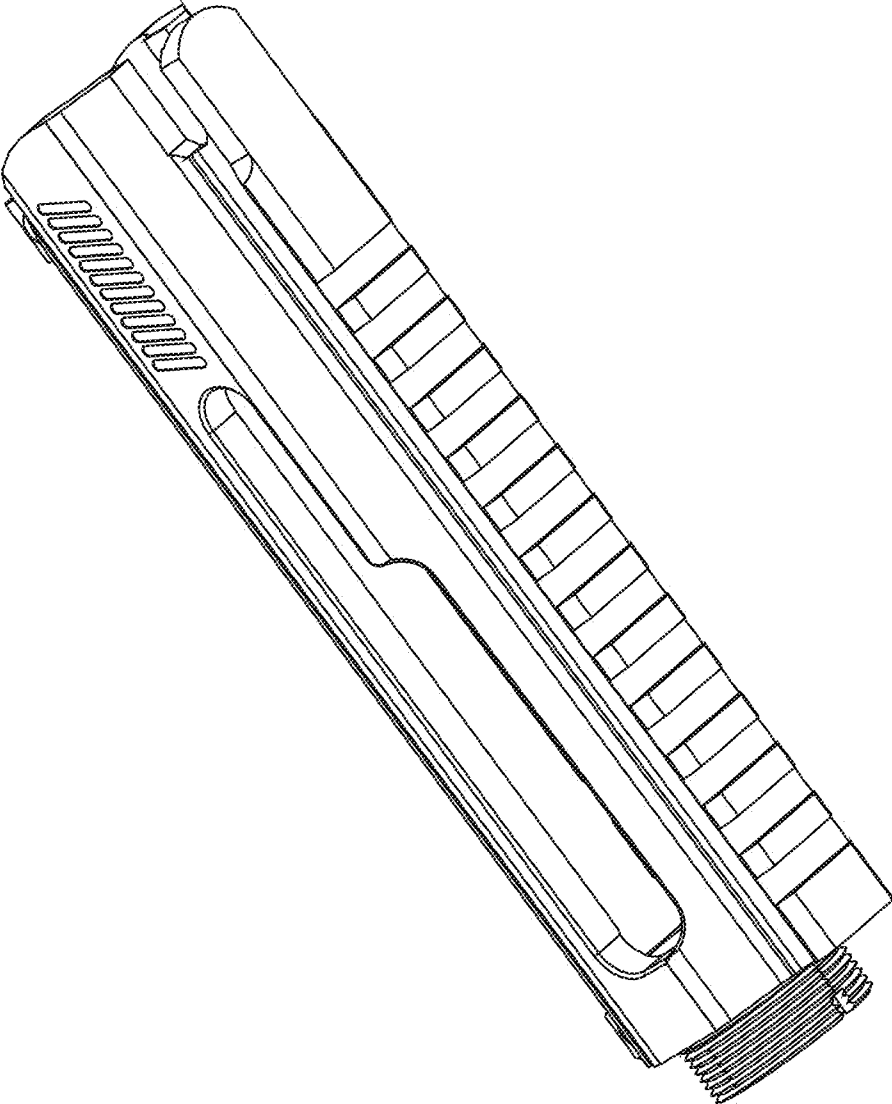


FIG. 9

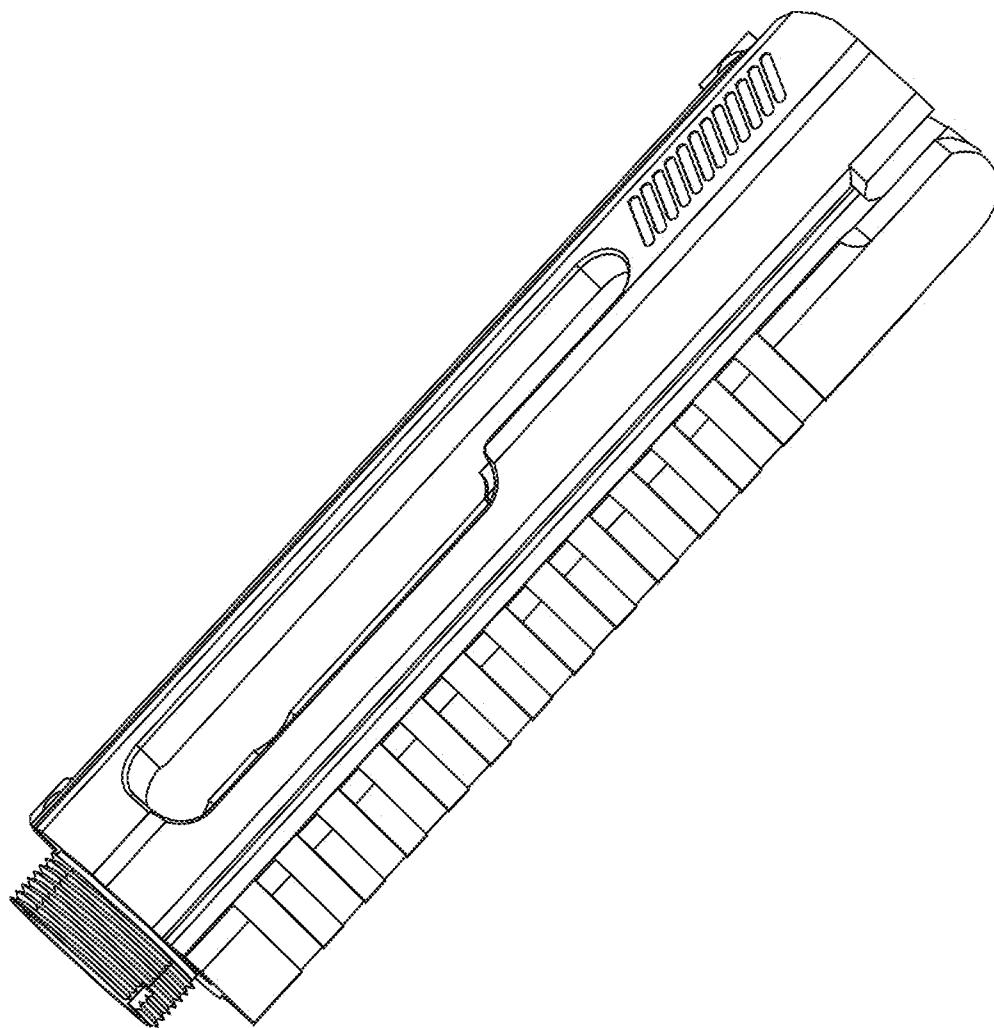


FIG. 10

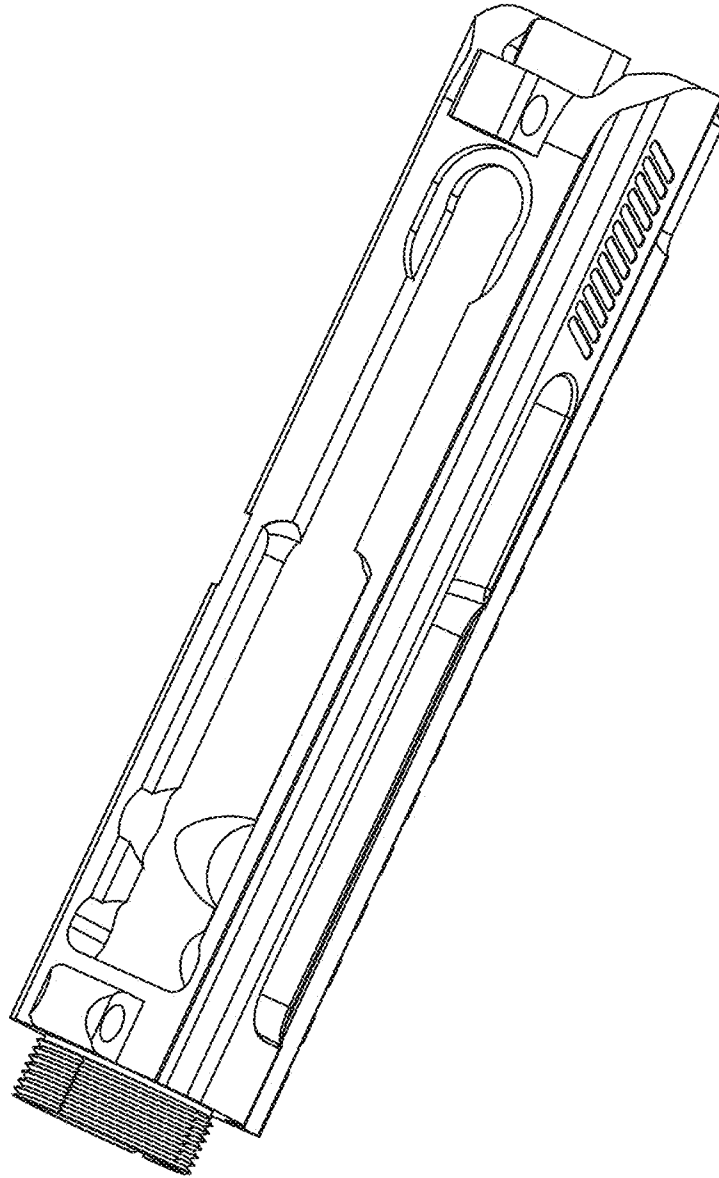


FIG. 11

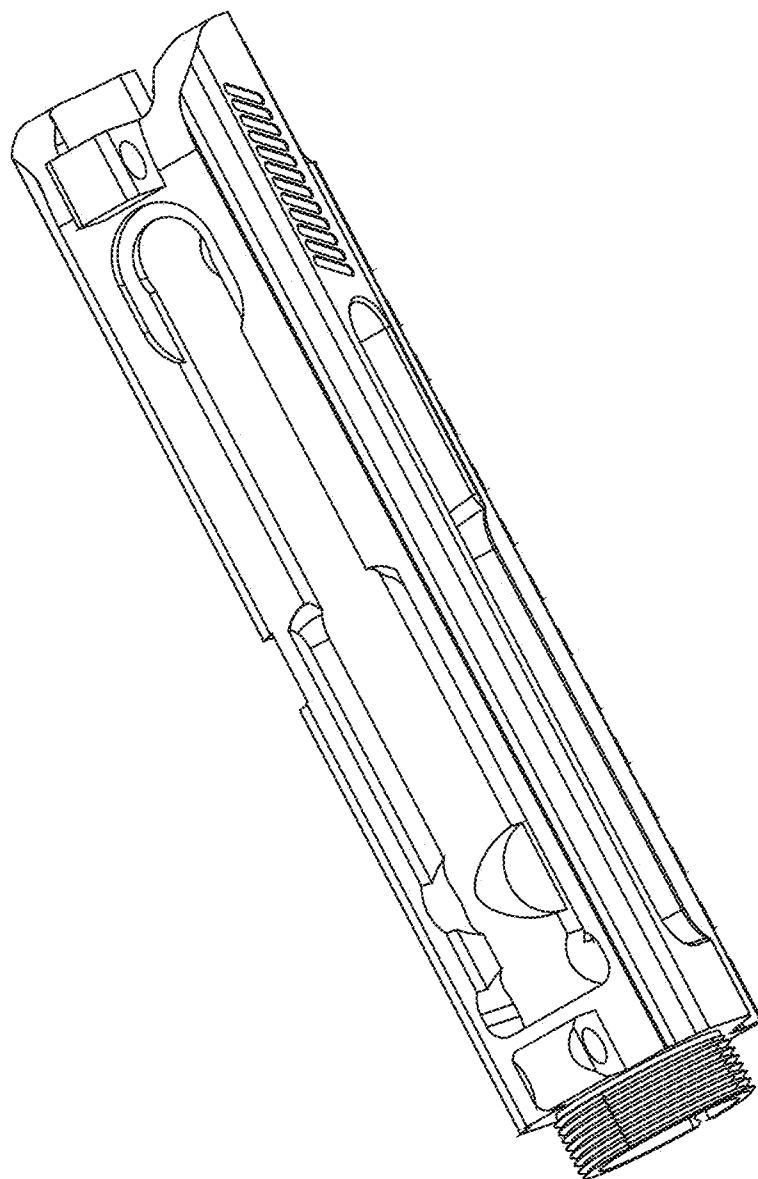


FIG. 12

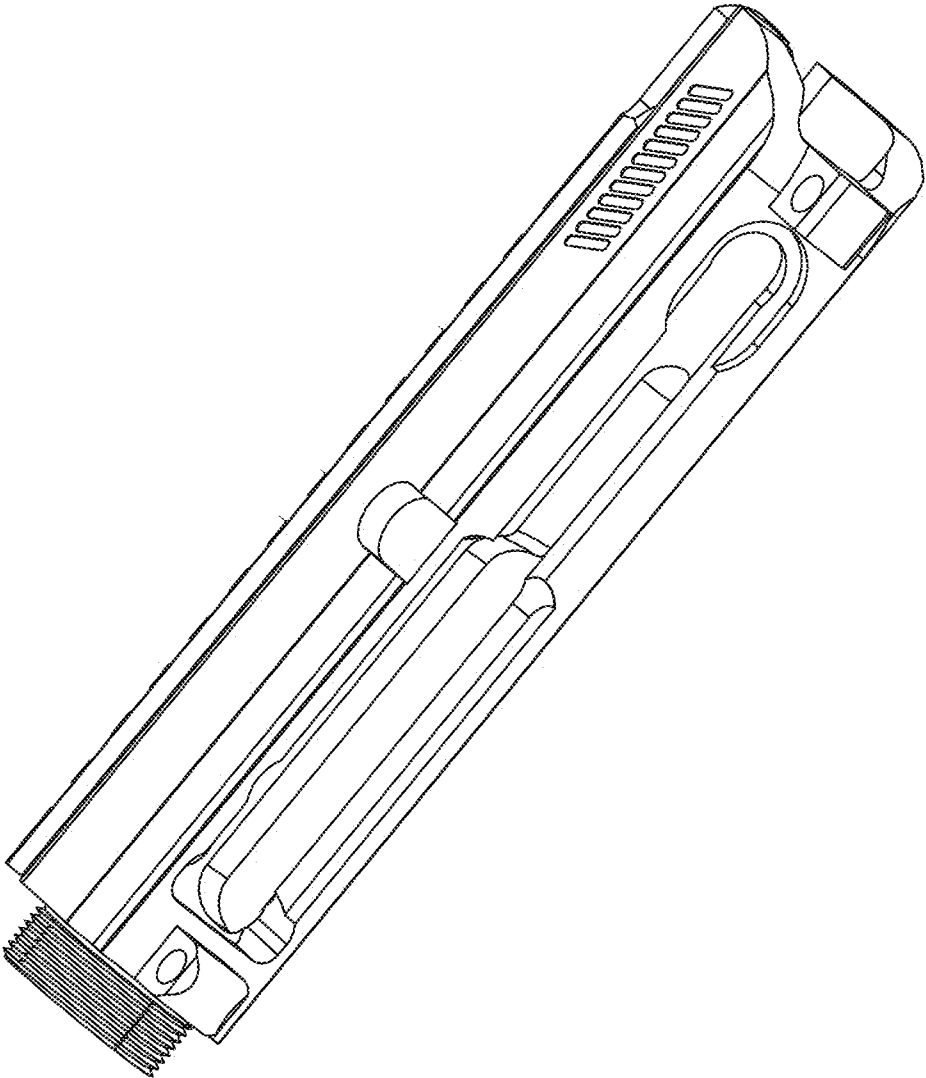


FIG. 13

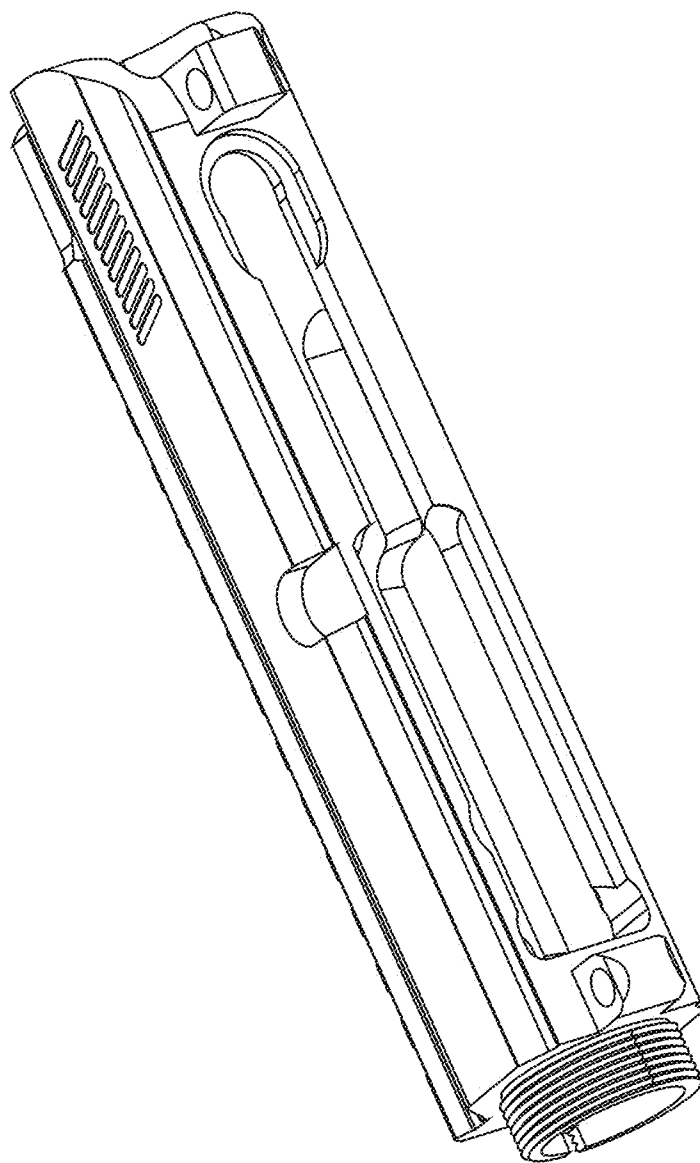


FIG. 14