

(19) World Intellectual Property
Organization
International Bureau



(43) International Publication Date
2 September 2004 (02.09.2004)

PCT

(10) International Publication Number
WO 2004/073875 A3

(51) International Patent Classification⁷: **G04C 23/00**

Frank [US/US]; 3411 Kingston Pike, Knoxville, TN 37919 (US). **PITSENBARGER, Dan, S.** [US/US]; 12922 Garnett H1, Fort Wayne, IN 46845 (US).

(21) International Application Number:
PCT/US2004/004630

(74) Agent: **TAYLOR, Todd, T.**; Taylor & Aust, P.C., 142 S. Main Street, P.O. Box 560, Avilla, IN 46710 (US).

(22) International Filing Date: 17 February 2004 (17.02.2004)

(81) Designated States (unless otherwise indicated, for every kind of national protection available): AE, AG, AL, AM, AT, AU, AZ, BA, BB, BG, BR, BW, BY, BZ, CA, CH, CN, CO, CR, CU, CZ, DE, DK, DM, DZ, EC, EE, EG, ES, FI, GB, GD, GE, GH, GM, HR, HU, ID, IL, IN, IS, JP, KE, KG, KP, KR, KZ, LC, LK, LR, LS, LT, LU, LV, MA, MD, MG, MK, MN, MW, MX, MZ, NA, NI, NO, NZ, OM, PG, PH, PL, PT, RO, RU, SC, SD, SE, SG, SK, SL, SY, TJ, TM, TN, TR, TT, TZ, UA, UG, US, UZ, VC, VN, YU, ZA, ZM, ZW.

(25) Filing Language: English

(26) Publication Language: English

(30) Priority Data:
60/448,025 18 February 2003 (18.02.2003) US

(71) Applicant (for all designated States except US): **DEKKO TECHNOLOGIES, INC.** [US/US]; 8735 East Backwater Road, North Webster, IN 46555 (US).

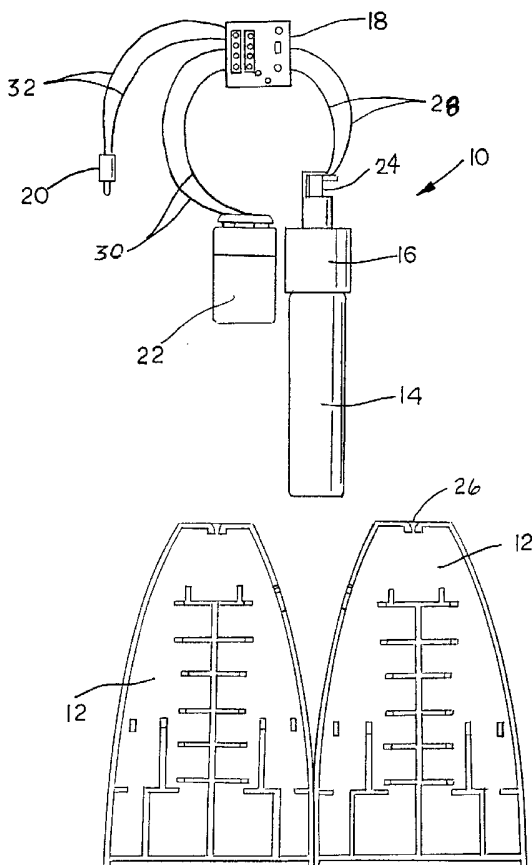
(72) Inventors; and

(75) Inventors/Applicants (for US only): **SPECKHART,**

(84) Designated States (unless otherwise indicated, for every kind of regional protection available): ARIPO (BW, GH, GM, KE, LS, MW, MZ, SD, SL, SZ, TZ, UG, ZM, ZW),

[Continued on next page]

(54) Title: METHOD OF DISCHARGING AN AEROSOLIZED FLUID



(57) Abstract: A method of discharging an aerosolized fluid from an aerosol can to an ambient environment, includes the steps of: fluidly coupling a solenoid valve of an aerosol release device with a discharge valve on the aerosol can; determining a duration of a first release period of the aerosolized fluid from the aerosol can; actuating the solenoid valve using an electronic controller to thereby release the aerosolized fluid to the ambient environment for the duration of the first release period; determining a duration of a second release period of the aerosolized fluid from the aerosol can, the duration of the second release period being randomly varied to avoid user habituation of the aerosolized fluid; and actuating the solenoid valve using the electronic controller to thereby release the aerosolized fluid to the ambient environment for the duration of the second release period.

WO 2004/073875 A3



Eurasian (AM, AZ, BY, KG, KZ, MD, RU, TJ, TM), European (AT, BE, BG, CH, CY, CZ, DE, DK, EE, ES, FI, FR, GB, GR, HU, IE, IT, LU, MC, NL, PT, RO, SE, SI, SK, TR), OAPI (BF, BJ, CF, CG, CI, CM, GA, GN, GQ, GW, ML, MR, NE, SN, TD, TG).

For two-letter codes and other abbreviations, refer to the "Guidance Notes on Codes and Abbreviations" appearing at the beginning of each regular issue of the PCT Gazette.

Published:

— *with international search report*

(88) Date of publication of the international search report:

17 March 2005

INTERNATIONAL SEARCH REPORT

International application No.

PCT/US04/04630

A. CLASSIFICATION OF SUBJECT MATTER

IPC(7) : G04C 23/00

US CL : 222/1, 52, 61, 63, 641, 642, 644, 645, 646, 647, 648, 649; 239/67, 68, 69, 70

According to International Patent Classification (IPC) or to both national classification and IPC

B. FIELDS SEARCHED

Minimum documentation searched (classification system followed by classification symbols)

U.S. : 222/1, 52, 61, 63, 641, 642, 644, 645, 646, 647, 648, 649

Documentation searched other than minimum documentation to the extent that such documents are included in the fields searched

Electronic data base consulted during the international search (name of data base and, where practicable, search terms used)

C. DOCUMENTS CONSIDERED TO BE RELEVANT

Category *	Citation of document, with indication, where appropriate, of the relevant passages	Relevant to claim No.
A	US 6,267,297 B1 (CONTADINI et al) 31 July 2001 (31.07.2001), column 14, lines 50-67 onto column 15, lines 1-50).	1-12
A	US 5,772,074 A (DIAL et al) 30 June 1998 (30.06.1998), see column 8, lines 65-67 onto column 9, lines 1-54).	1-12
A	US 5,029,729 A (MADSEN et al) 21 April 1991 (21.04.1991), see Figures 1-2.	1-12
A	US 3,666,144 A (WINDER) 30 May 1972 (30.05.1972), see Figure 2.	1-12

Further documents are listed in the continuation of Box C.

See patent family annex.

* Special categories of cited documents:	"T"
"A" document defining the general state of the art which is not considered to be of particular relevance	later document published after the international filing date or priority date and not in conflict with the application but cited to understand the principle or theory underlying the invention
"E" earlier application or patent published on or after the international filing date	"X" document of particular relevance; the claimed invention cannot be considered novel or cannot be considered to involve an inventive step when the document is taken alone
"L" document which may throw doubts on priority claim(s) or which is cited to establish the publication date of another citation or other special reason (as specified)	"Y" document of particular relevance; the claimed invention cannot be considered to involve an inventive step when the document is combined with one or more other such documents, such combination being obvious to a person skilled in the art
"O" document referring to an oral disclosure, use, exhibition or other means	"&" document member of the same patent family
"P" document published prior to the international filing date but later than the priority date claimed	

Date of the actual completion of the international search

18 November 2004 (18.11.2004)

Date of mailing of the international search report

14 DEC 2004

Name and mailing address of the ISA/US

Mail Stop PCT, Attn: ISA/US
Commissioner for Patents
P.O. Box 1450
Alexandria, Virginia 22313-1450

Facsimile No. (703) 305-3230

Authorized officer

Frederick C. Nicolas

Telephone No. (703)-308-0861

Sheila H. Venev
Paralegal Specialist
Tech. Center 3700