



US00D834019S

(12) **United States Design Patent**  
**Dallmeyer et al.**

(10) **Patent No.:** **US D834,019 S**

(45) **Date of Patent:** **\*\* Nov. 20, 2018**

- (54) **HEAD-MOUNTED DISPLAY**
- (71) Applicant: **Oculus VR, LLC**, Menlo Park, CA (US)
- (72) Inventors: **Scott Andrew Dallmeyer**, Seattle, WA (US); **Shane Michael Ellis**, Bellevue, WA (US); **Peter Wesley Bristol**, Seattle, WA (US); **Mauricio Romano**, Redmond, WA (US)
- (73) Assignee: **Facebook Technologies, LLC**, Menlo Park, CA (US)
- (\*\*) Term: **15 Years**
- (21) Appl. No.: **29/602,280**

- D775,129 S \* 12/2016 Zellweger ..... D14/372
- D777,164 S \* 1/2017 Zellweger ..... D14/372
- D779,486 S \* 2/2017 Zellweger ..... D14/372
- D797,181 S \* 9/2017 Seo ..... D16/312
- D805,515 S \* 12/2017 Bowes ..... D14/372
- D806,073 S \* 12/2017 Li ..... D14/372
- D806,074 S \* 12/2017 Kuwahara ..... D14/372
- D810,742 S \* 2/2018 Robertson ..... D14/372

\* cited by examiner

*Primary Examiner* — Austin Murphy

(74) *Attorney, Agent, or Firm* — Fenwick & West LLP

(57) **CLAIM**

The ornamental design for a head-mounted display, as shown and described.

**DESCRIPTION**

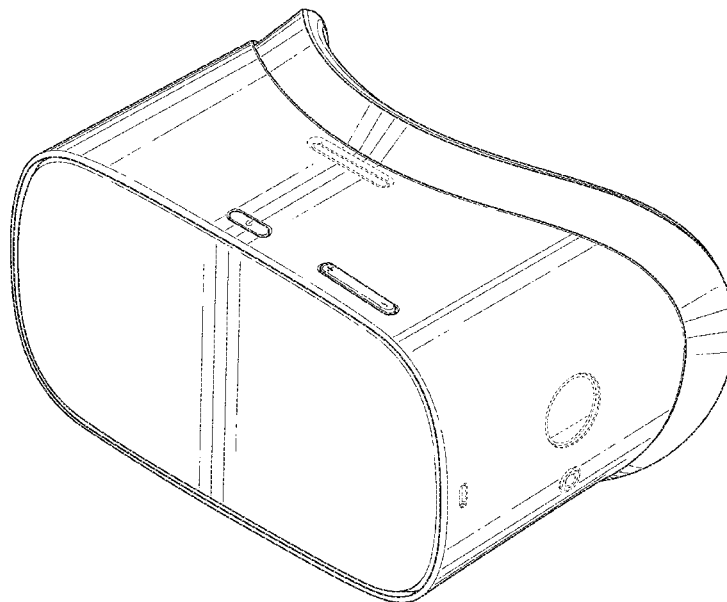
FIG. 1 is a perspective view of a first embodiment of a head-mounted display;  
 FIG. 2 is a front view thereof;  
 FIG. 3 is a rear view thereof;  
 FIG. 4 is a left side view thereof;  
 FIG. 5 is a right side view thereof;  
 FIG. 6 is a top view thereof; and  
 FIG. 7 is a bottom view thereof.  
 FIG. 8 is a perspective view of a second embodiment of a head mounted display;  
 FIG. 9 is a front view thereof;  
 FIG. 10 is a rear view thereof;  
 FIG. 11 is a left side view thereof;  
 FIG. 12 is a right side view thereof;  
 FIG. 13 is a top view thereof; and  
 FIG. 14 is a bottom view thereof.  
 The broken lines in the figures form no part of the claimed design.

- (22) Filed: **Apr. 28, 2017**
- (51) **LOC (11) Cl.** ..... **14-02**
- (52) **U.S. Cl.**  
USPC ..... **D14/372**
- (58) **Field of Classification Search**  
USPC ..... D14/372, 496, 432, 371, 125, 126, 129, D14/299; D16/300–342; 351/158, 153, 351/144; 345/7–9, 905; 455/344; 348/115, 53, 121, 739  
CPC ..... G02B 27/017; G02B 27/0158; G02B 27/0161; G02B 27/0181; G02B 27/0185; G02B 27/0189  
See application file for complete search history.

(56) **References Cited**  
U.S. PATENT DOCUMENTS

- D759,654 S \* 6/2016 Sullivan ..... D14/372
- D764,466 S \* 8/2016 Kim ..... D14/372
- D771,627 S \* 11/2016 Ko ..... D14/372
- D775,128 S \* 12/2016 Zellweger ..... D14/372

**1 Claim, 14 Drawing Sheets**



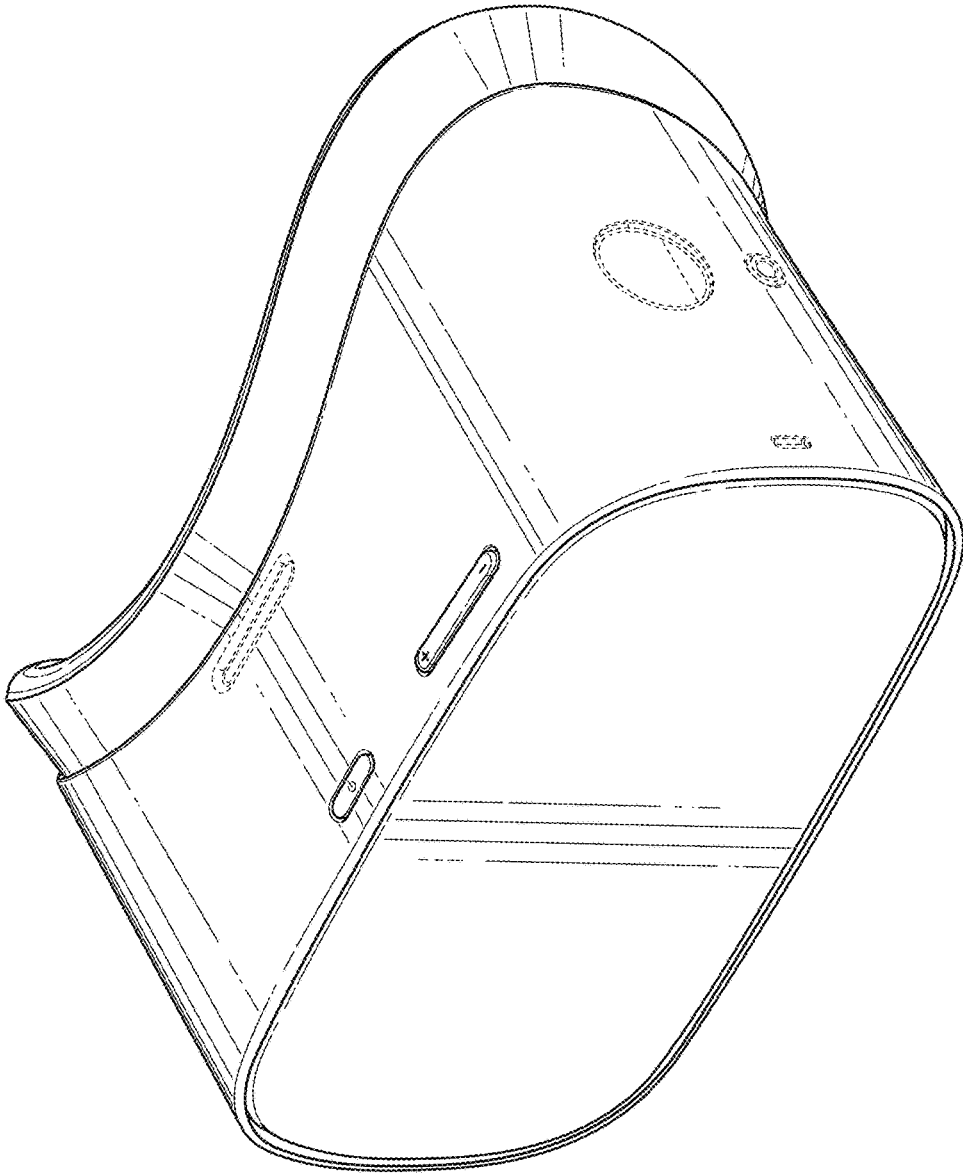


FIG. 1

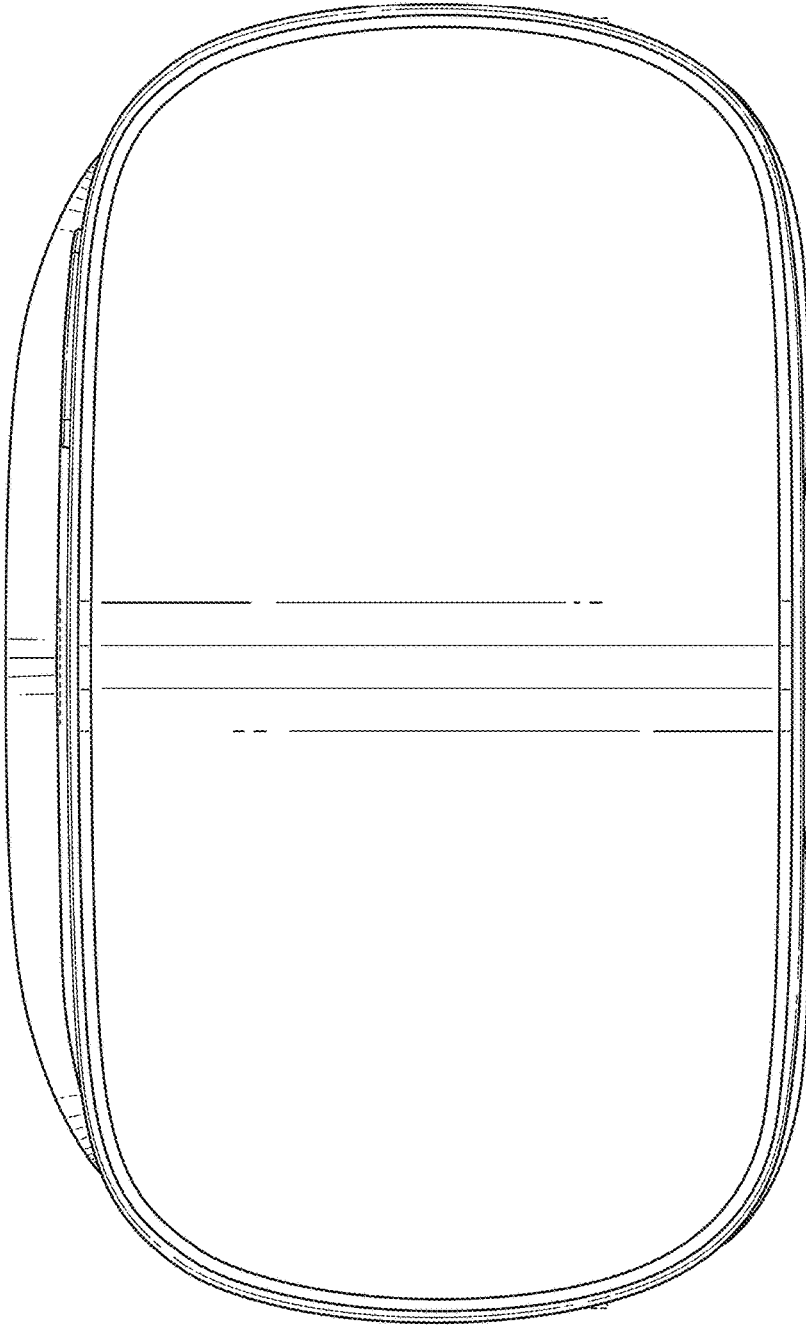


FIG. 2

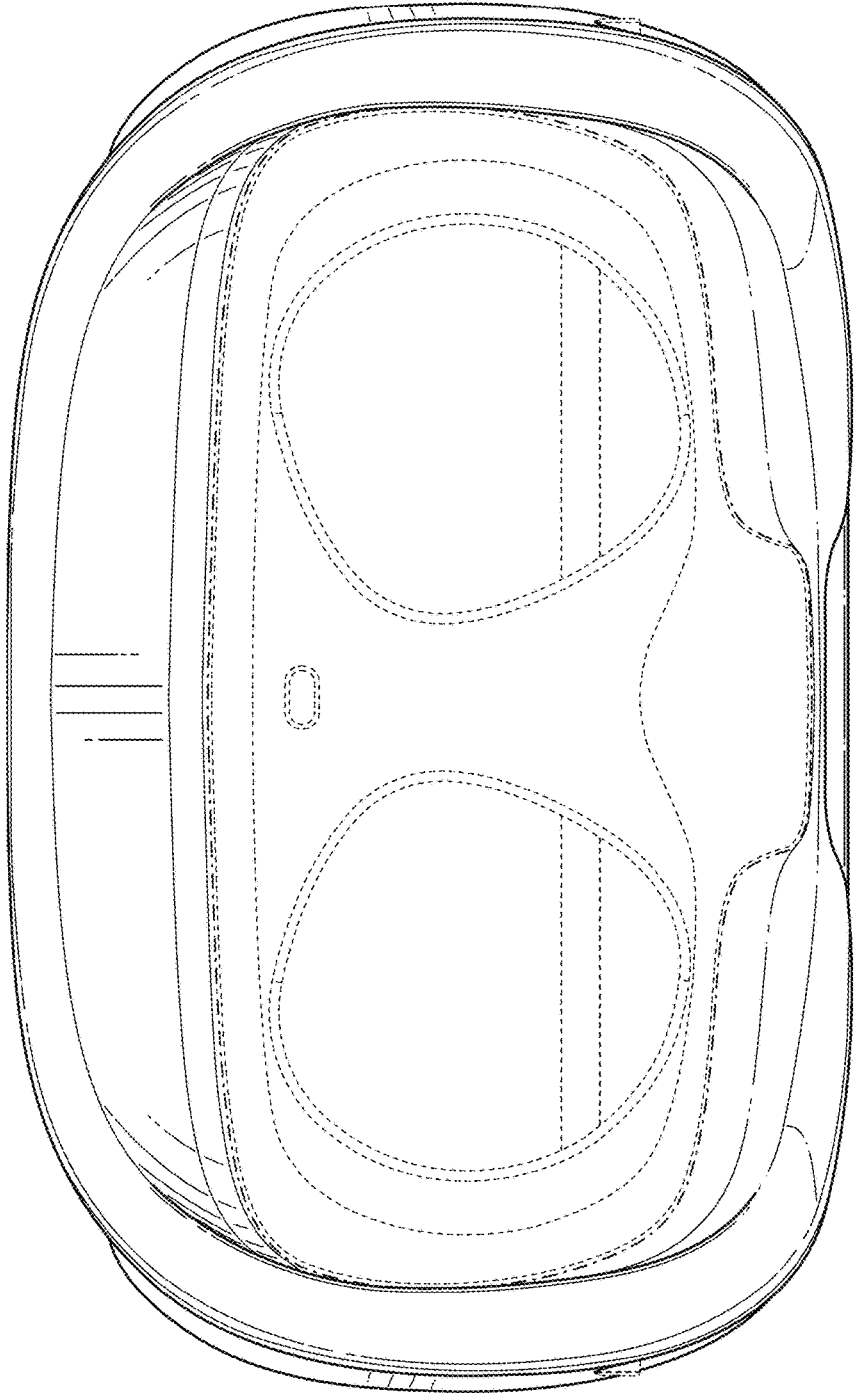


FIG. 3

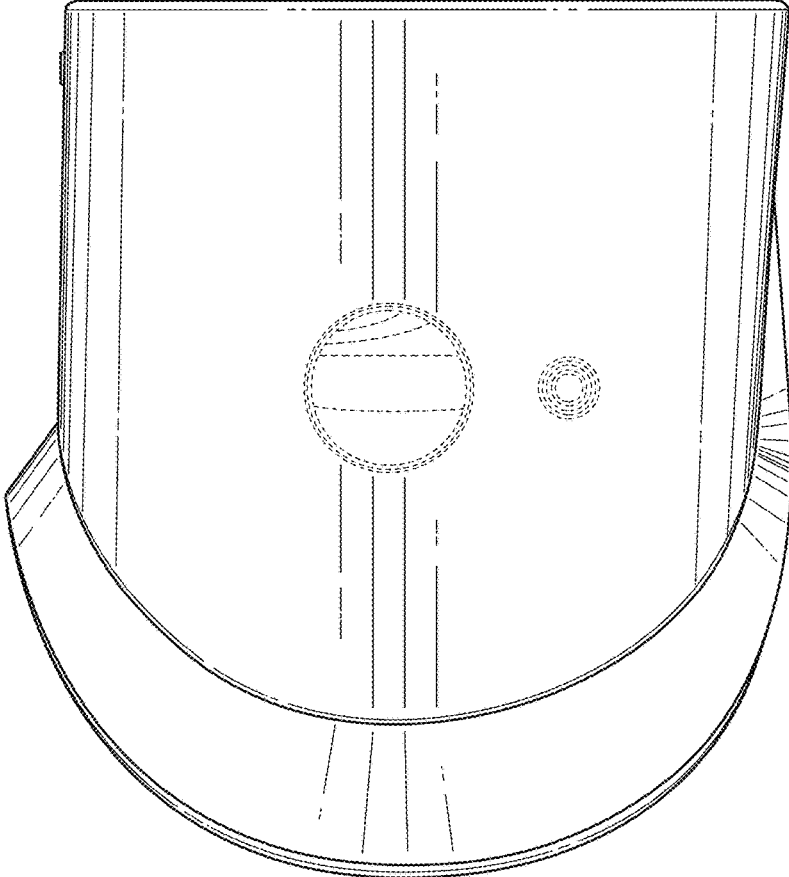


FIG. 4

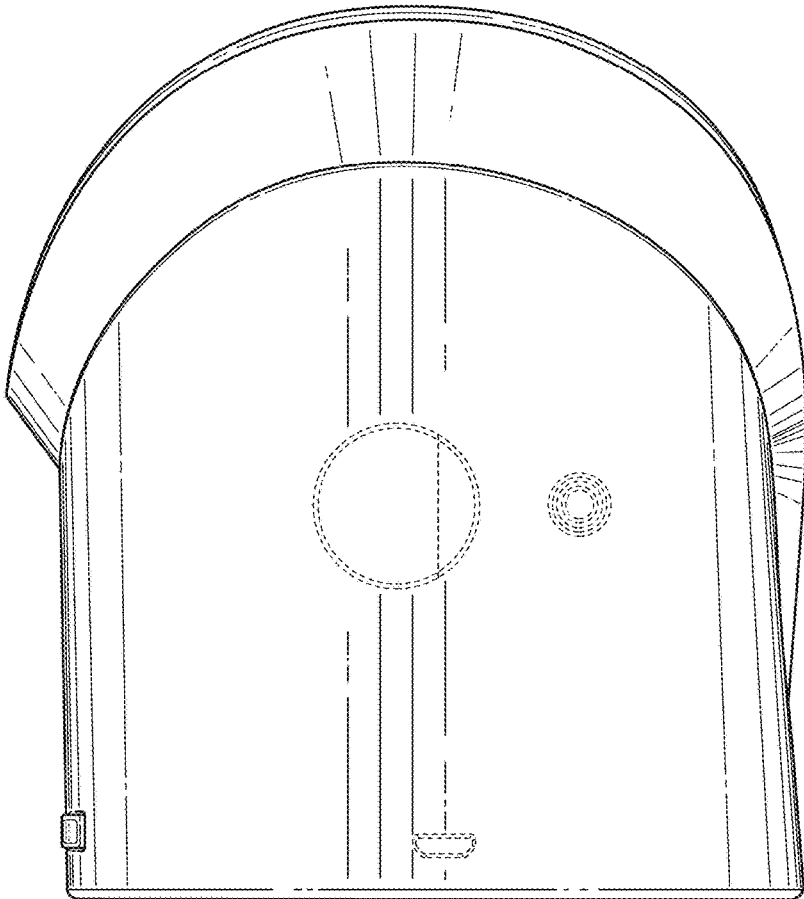


FIG. 5

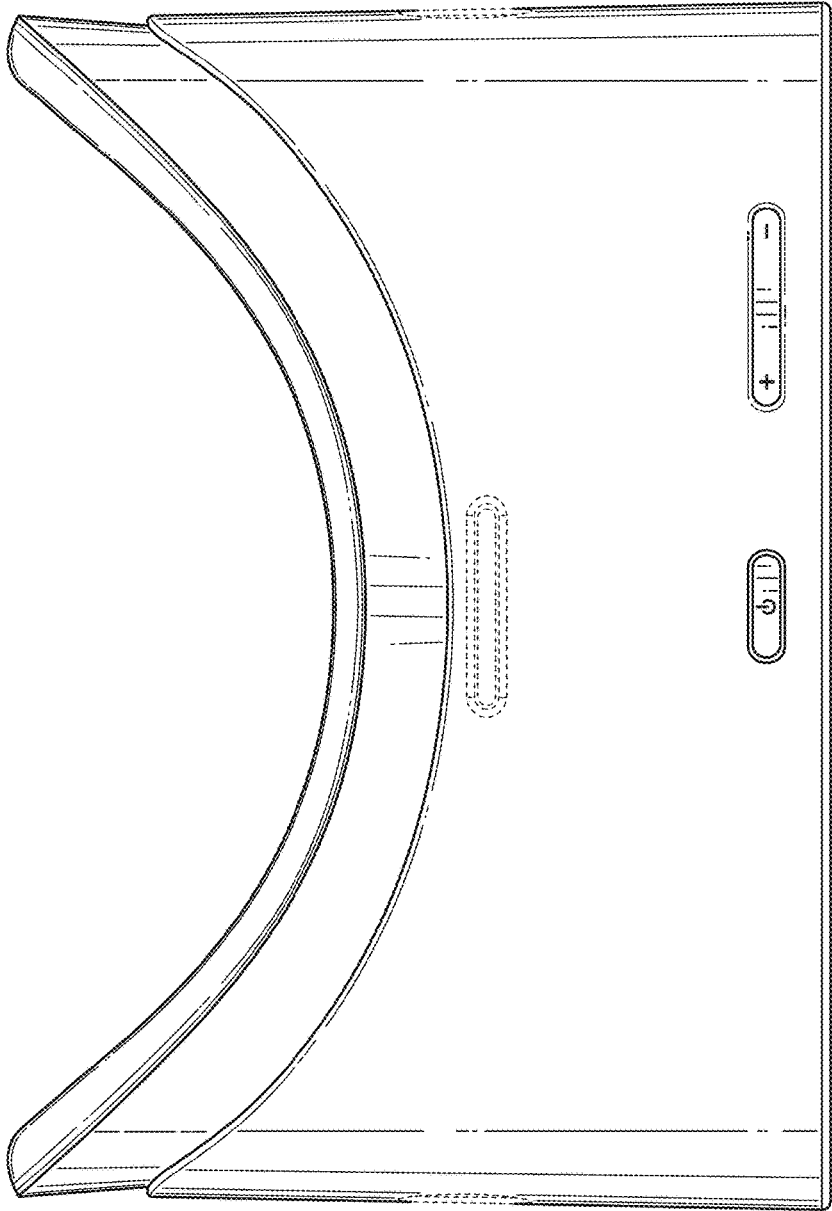


FIG. 6

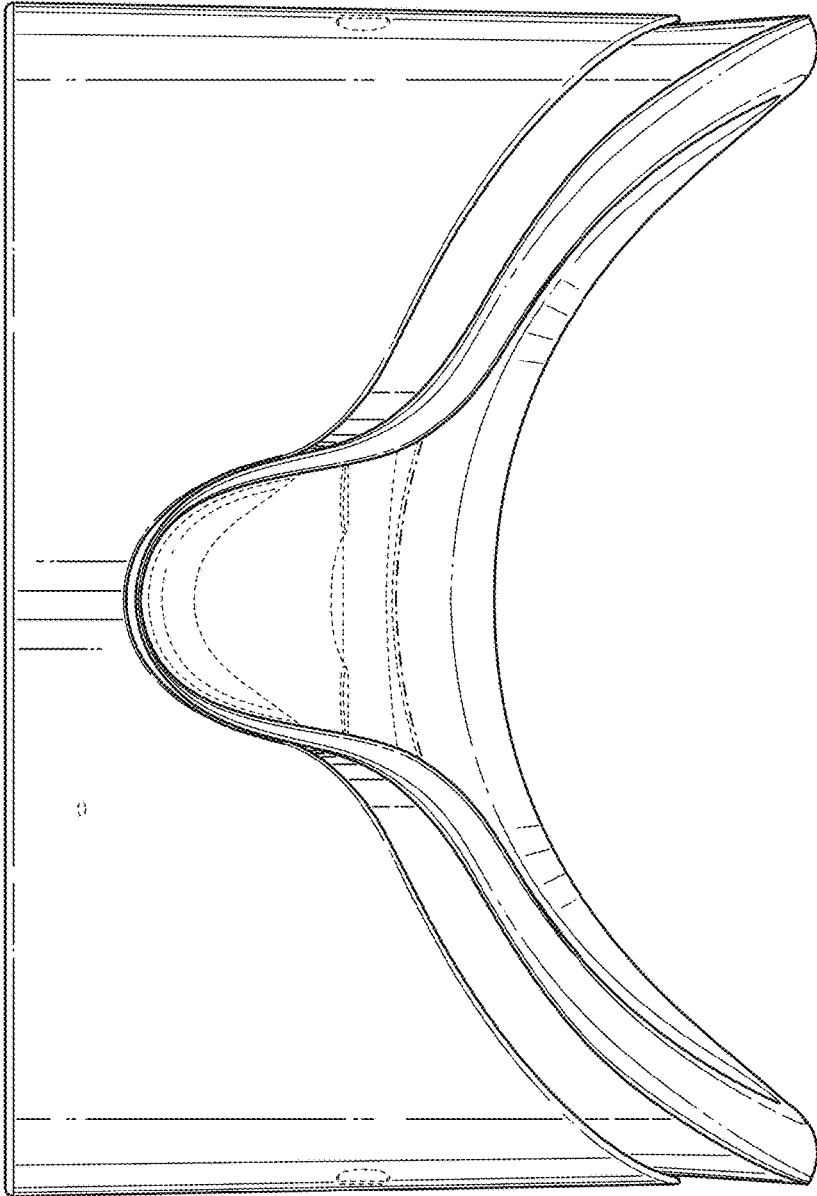


FIG. 7



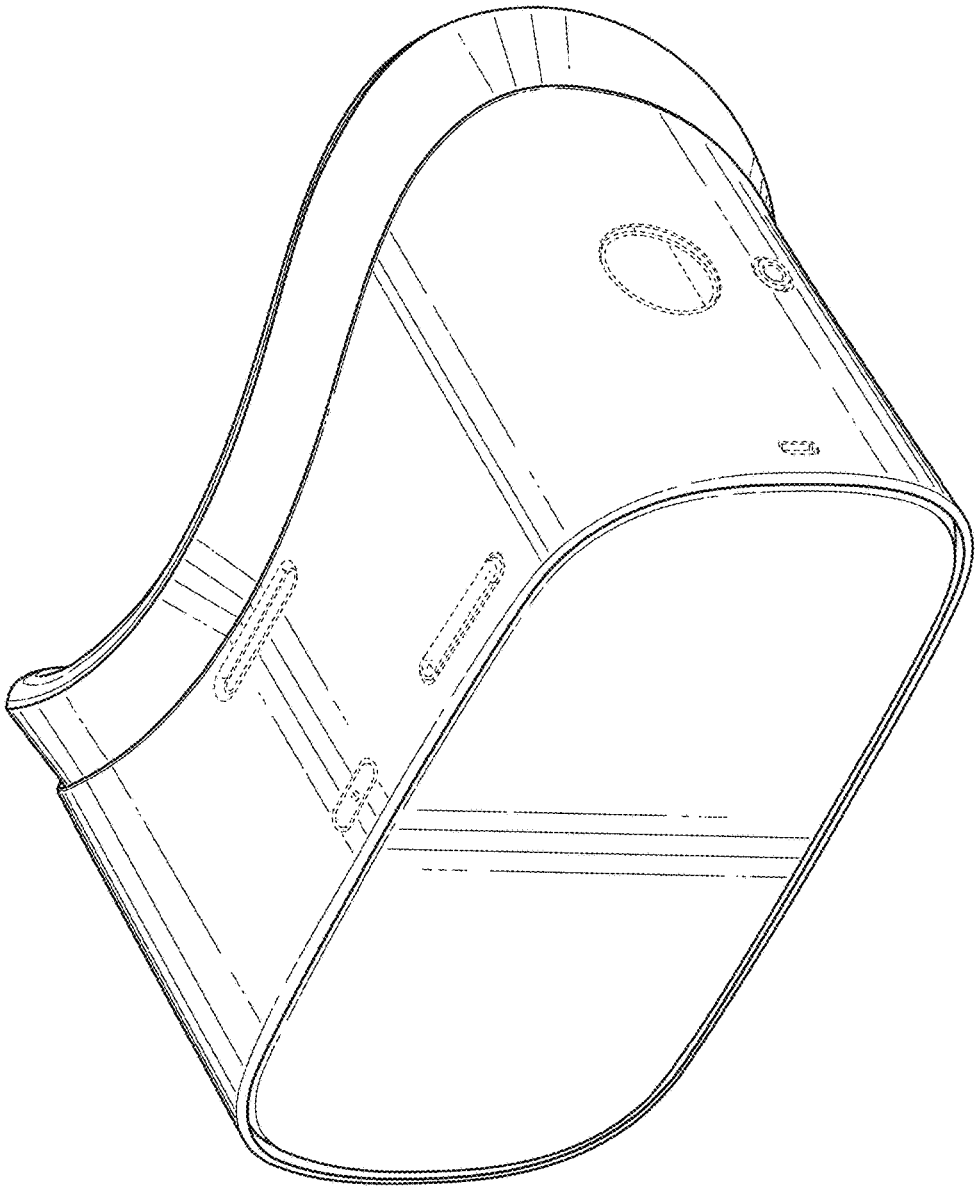


FIG. 8

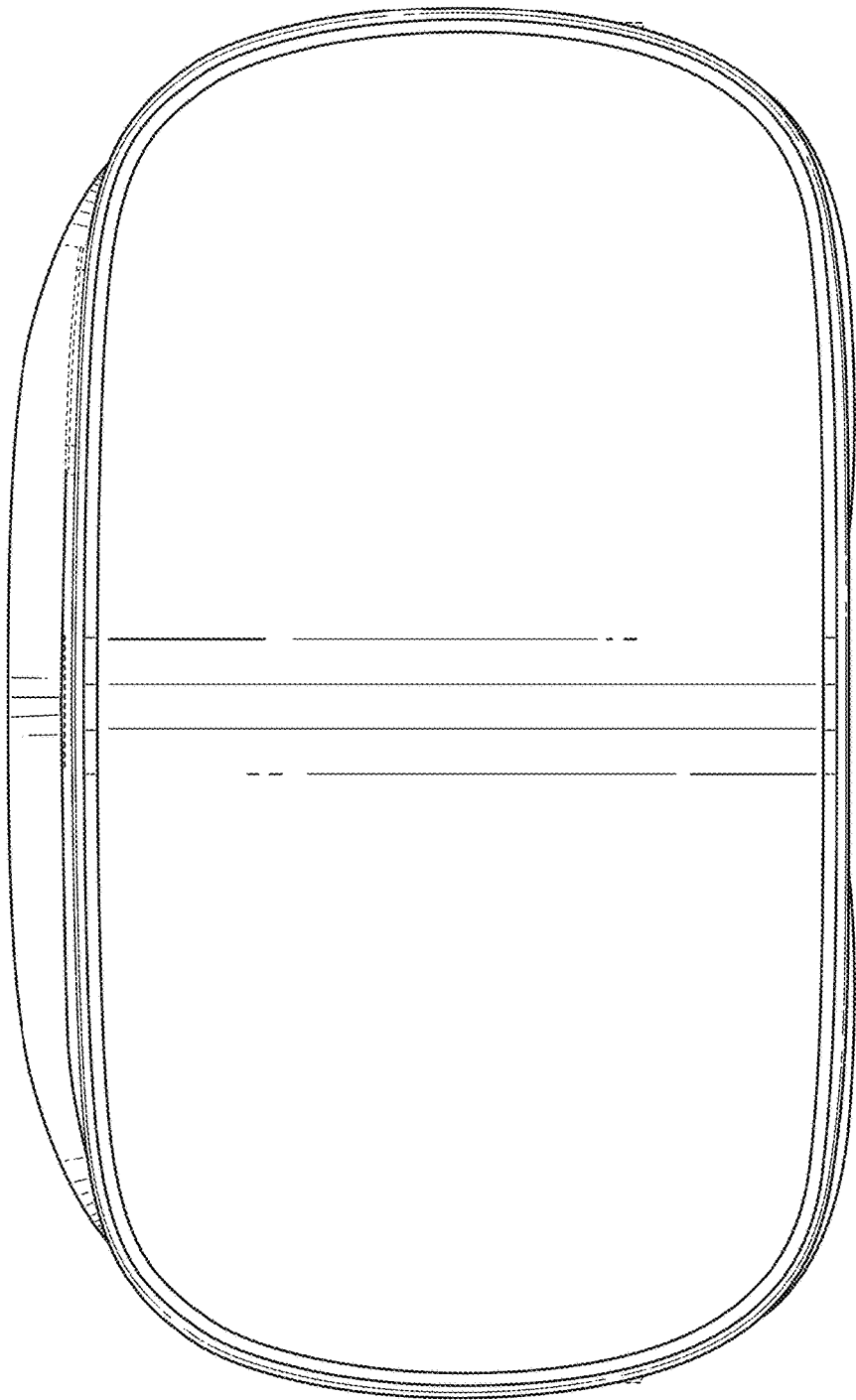


FIG. 9

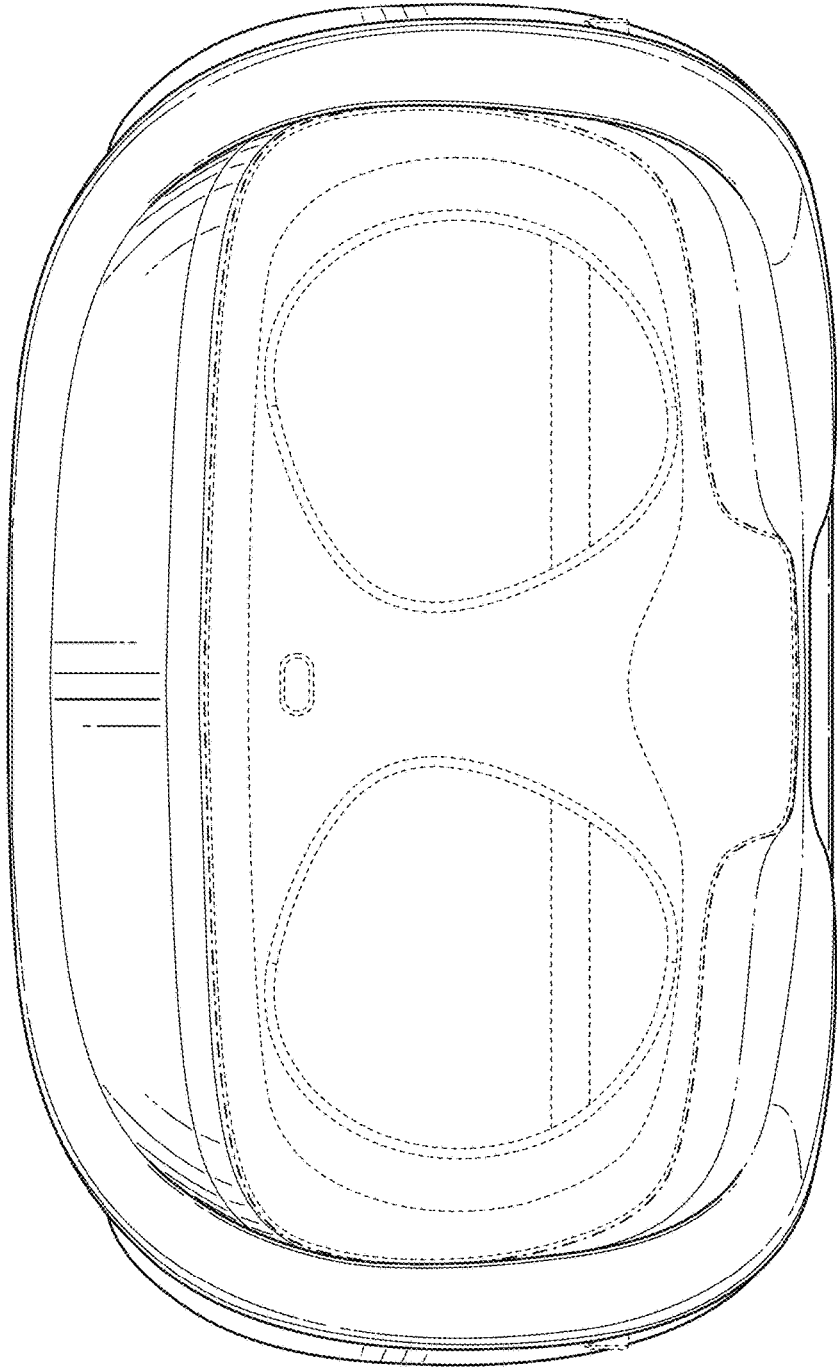


FIG. 10

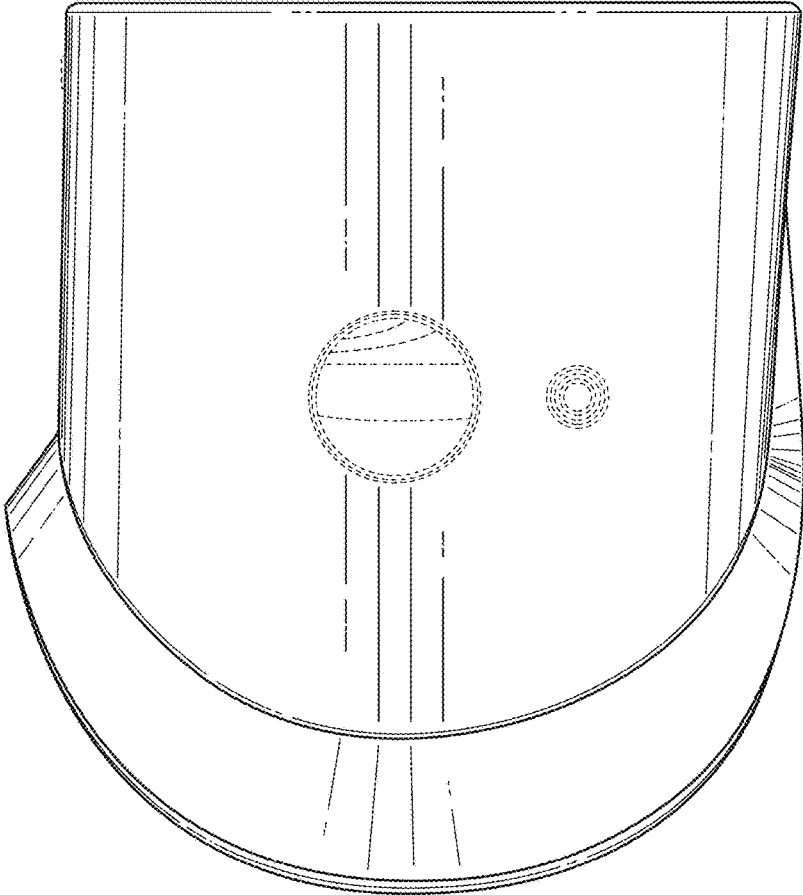


FIG. 11

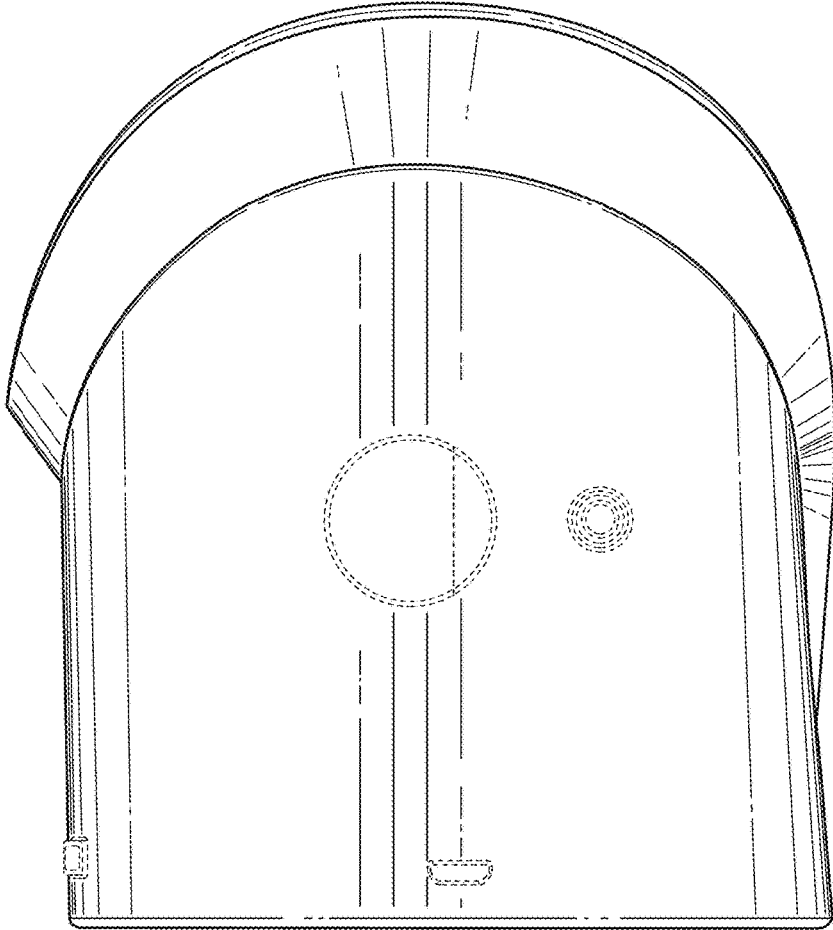


FIG. 12

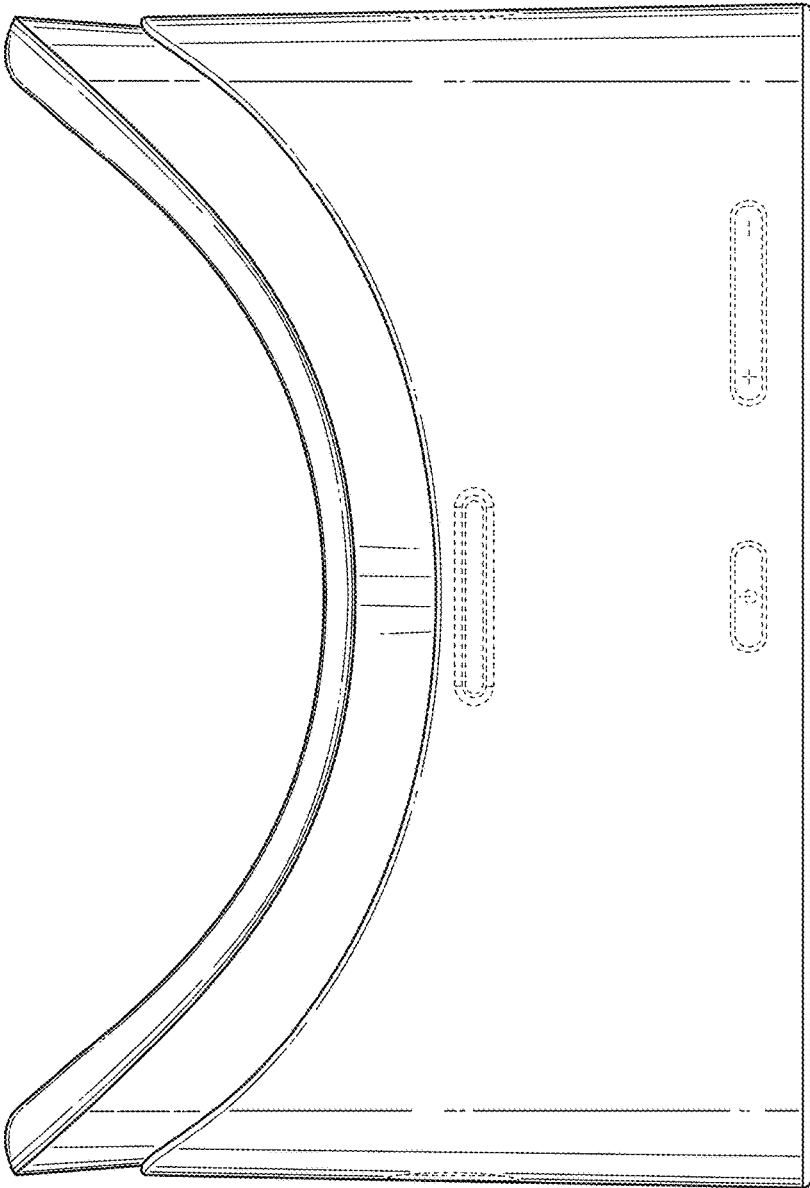


FIG. 13

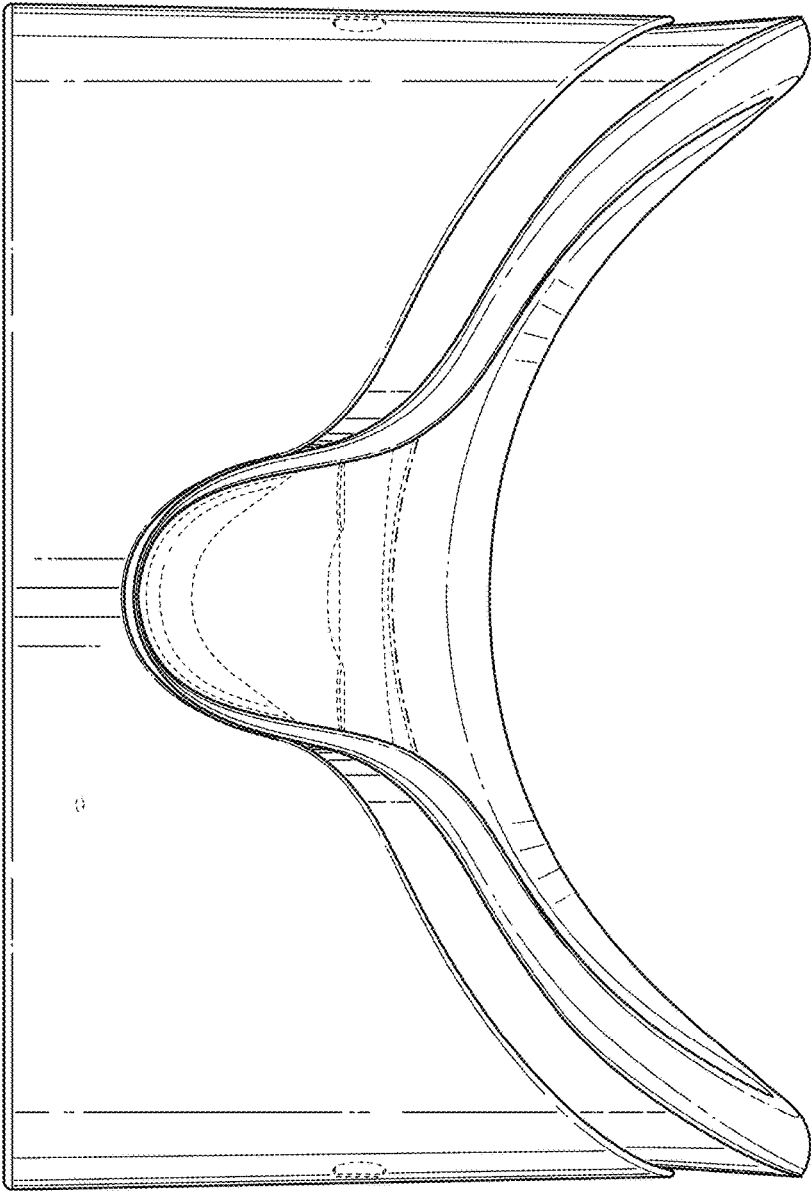


FIG. 14