



US00D954547S

(12) **United States Design Patent**
Zhang

(10) **Patent No.:** **US D954,547 S**

(45) **Date of Patent:** **** Jun. 14, 2022**

- (54) **CORD FASTENER**
- (71) Applicant: **Xiao Zhang**, Henan Province (CN)
- (72) Inventor: **Xiao Zhang**, Henan Province (CN)
- (**) Term: **15 Years**
- (21) Appl. No.: **29/717,341**
- (22) Filed: **Dec. 17, 2019**
- (51) **LOC (13) Cl.** **08-08**
- (52) **U.S. Cl.**
USPC **D8/383**
- (58) **Field of Classification Search**
USPC D8/383, 356, 367, 394, 395
CPC F16G 11/10; F16G 11/101; F16G 11/105;
F16G 11/106
See application file for complete search history.

- D465,408 S * 11/2002 Man D8/383
 - D477,772 S * 7/2003 Nezu A41F 9/00
D11/215
 - D481,300 S * 10/2003 Nezu D8/383
 - D481,301 S * 10/2003 Nezu D8/383
 - D518,405 S * 4/2006 Stern D11/86
 - D551,067 S * 9/2007 Kawamura D8/383
 - D559,667 S * 1/2008 Yoshie D8/383
 - D560,477 S * 1/2008 Yoshie D8/383
 - D560,478 S * 1/2008 Yoshie D8/383
 - D560,479 S * 1/2008 Yoshie D8/383
 - 7,337,503 B1 * 3/2008 Ashbrook E06B 9/327
24/115 G
 - D571,194 S * 6/2008 Mei D8/383
- (Continued)

FOREIGN PATENT DOCUMENTS

- CA 2685600 A1 * 1/2009 A43C 7/00
 - EP 0289358 A1 * 11/1988 A45C 13/30
- (Continued)

Primary Examiner — Sheryl Lane
Assistant Examiner — Ieisha N Price

(56) **References Cited**

U.S. PATENT DOCUMENTS

- 4,622,723 A * 11/1986 Krauss F16G 11/101
24/115 G
- 4,675,948 A * 6/1987 Bengtsson F16G 11/101
24/115 G
- D299,310 S * 1/1989 Fildan D8/356
- 5,666,699 A * 9/1997 Takahashi F16G 11/101
24/115 G
- 5,671,505 A * 9/1997 Anscher F16G 11/101
24/115 G
- 5,737,808 A * 4/1998 Ikeda F16G 11/101
24/115 G
- D399,045 S * 10/1998 Liston D2/978
- D417,388 S * 12/1999 Kawahara D8/383
- 6,018,851 A * 2/2000 Anscher F16G 11/101
24/115 G
- 6,026,548 A * 2/2000 Jackson A43C 7/08
24/115 G
- 6,038,746 A * 3/2000 Anscher F16G 11/101
24/115 G
- D439,148 S * 3/2001 Ishii D8/383

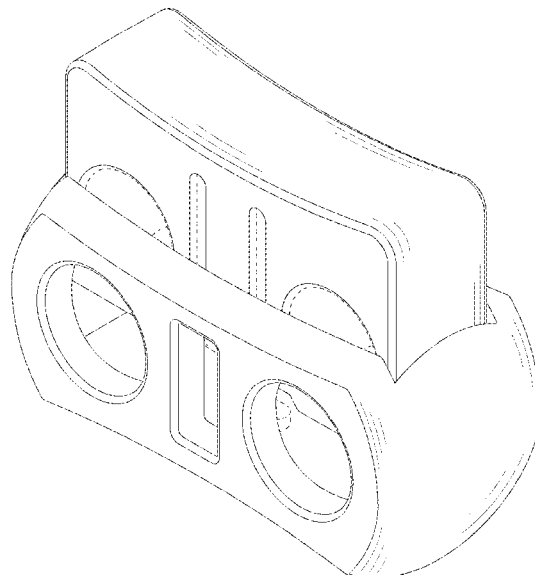
(57) **CLAIM**

The ornamental design for a cord fastener, as shown and described.

DESCRIPTION

FIG. 1 is a perspective view of a cord fastener showing my new design;
FIG. 2 is a front elevational view thereof;
FIG. 3 is a top plan view thereof;
FIG. 4 is a left side elevational view thereof;
FIG. 5 is a rear elevational view thereof;
FIG. 6 is a right side view thereof; and,
FIG. 7 is a bottom plan view thereof.
The broken lines in the drawings illustrate portions of the cord fastener and form no part of the claimed design.

1 Claim, 7 Drawing Sheets



(56)

References Cited

U.S. PATENT DOCUMENTS

D585,270 S * 1/2009 Yoshie D8/383
D585,271 S * 1/2009 Yoshie D8/383
D585,272 S * 1/2009 Yoshie D8/383
D586,648 S * 2/2009 Yoshie D8/385
D587,105 S * 2/2009 Chang D8/383
D615,391 S * 5/2010 Kawaguchi D8/383
D618,984 S * 7/2010 Yang D8/356
D630,090 S * 1/2011 Ishii D8/383
D633,378 S * 3/2011 Chan D8/383
D659,524 S * 5/2012 Kawaguchi D8/383
D680,855 S * 4/2013 Kadoishi D8/383
10,070,694 B2 * 9/2018 Schreiner A43C 7/00
2003/0121126 A1 * 7/2003 Buscart F16G 11/101
24/115 G
2008/0098574 A1 * 5/2008 Kim F16G 11/101
24/132 WL
2008/0115334 A1 * 5/2008 Chen A43C 7/00
24/115 G
2009/0064473 A1 * 3/2009 Chan F16G 11/101
24/712.5
2009/0094798 A1 * 4/2009 Yao A43C 7/00
24/115 G
2013/0104346 A1 * 5/2013 Kawaguchi F16G 11/03
24/115 G
2015/0181986 A1 * 7/2015 Chen F16G 11/101
24/595.1
2019/0360554 A1 * 11/2019 Chan F16G 11/101
2020/0256424 A1 * 8/2020 Brezzi F16G 11/103

FOREIGN PATENT DOCUMENTS

WO WO-2004039185 A2 * 5/2004 F16G 11/101
WO WO-2010081296 A1 * 7/2010 F16G 11/101

* cited by examiner

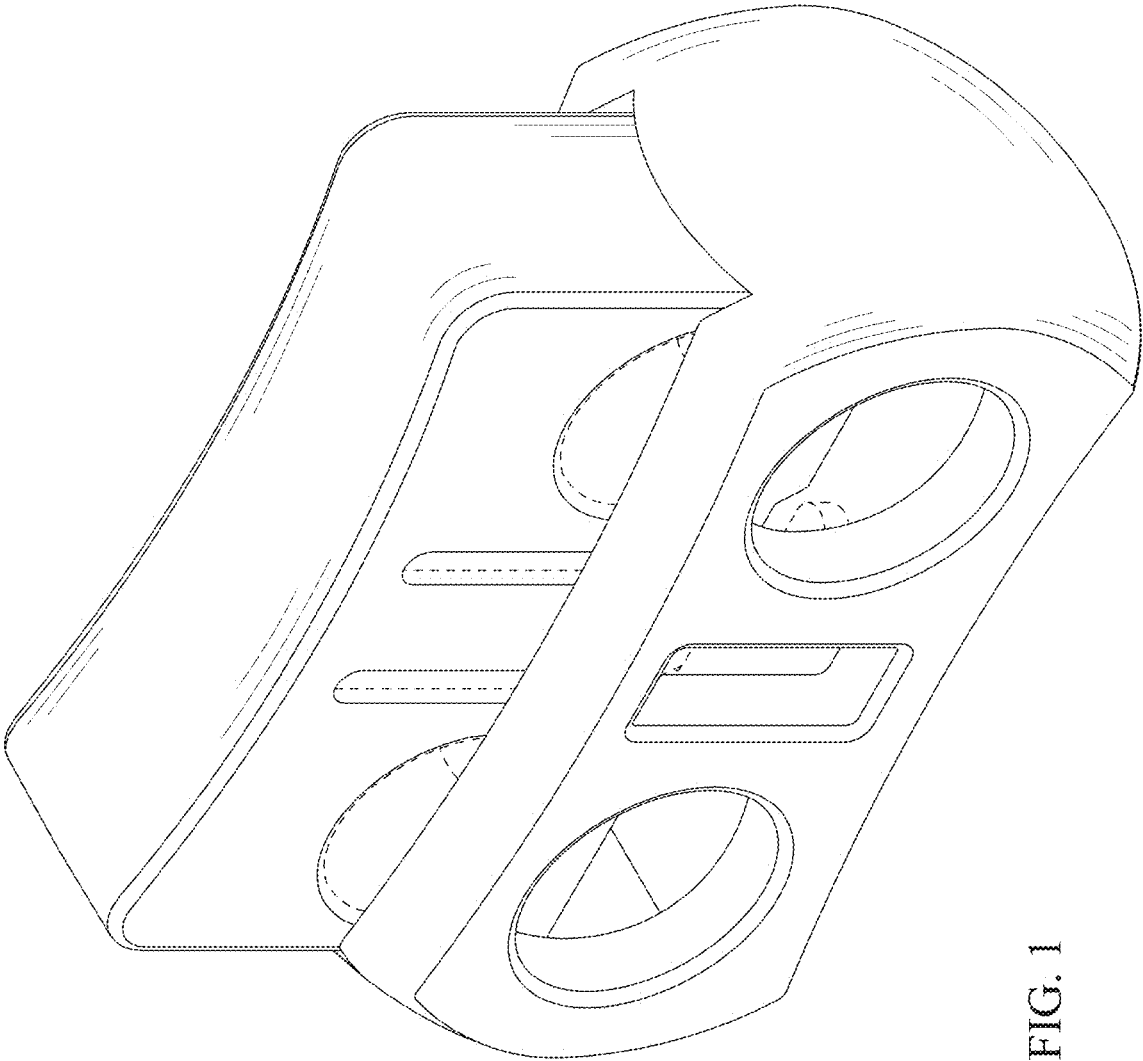


FIG. 1

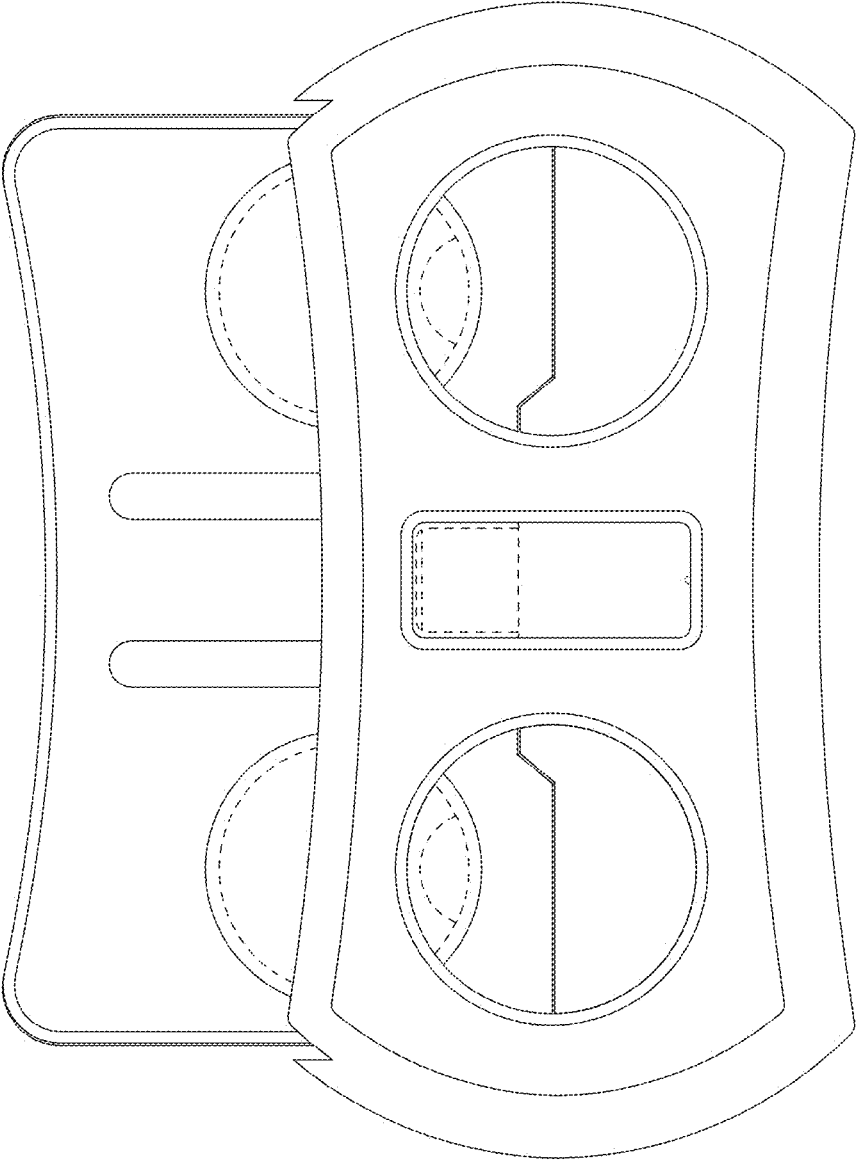


FIG. 2

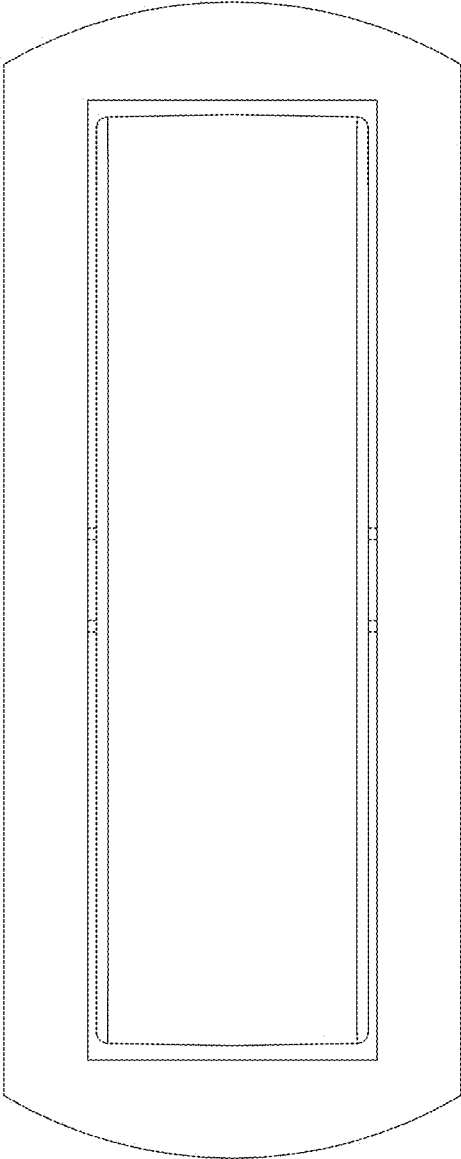


FIG. 3

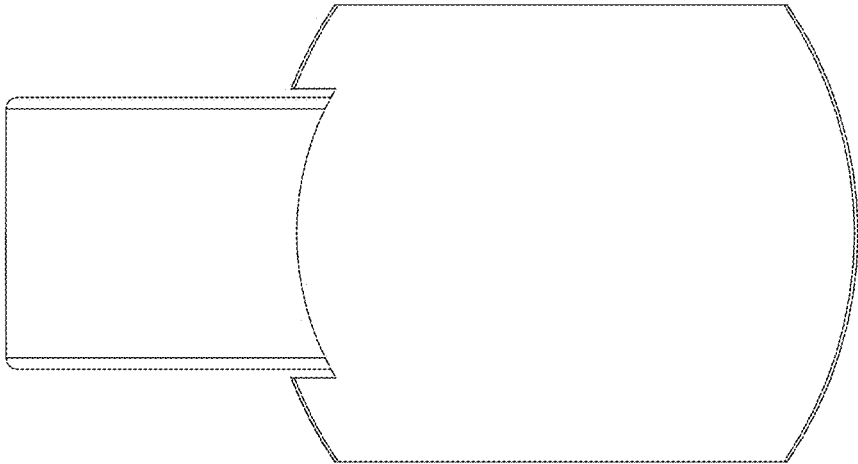


FIG. 4

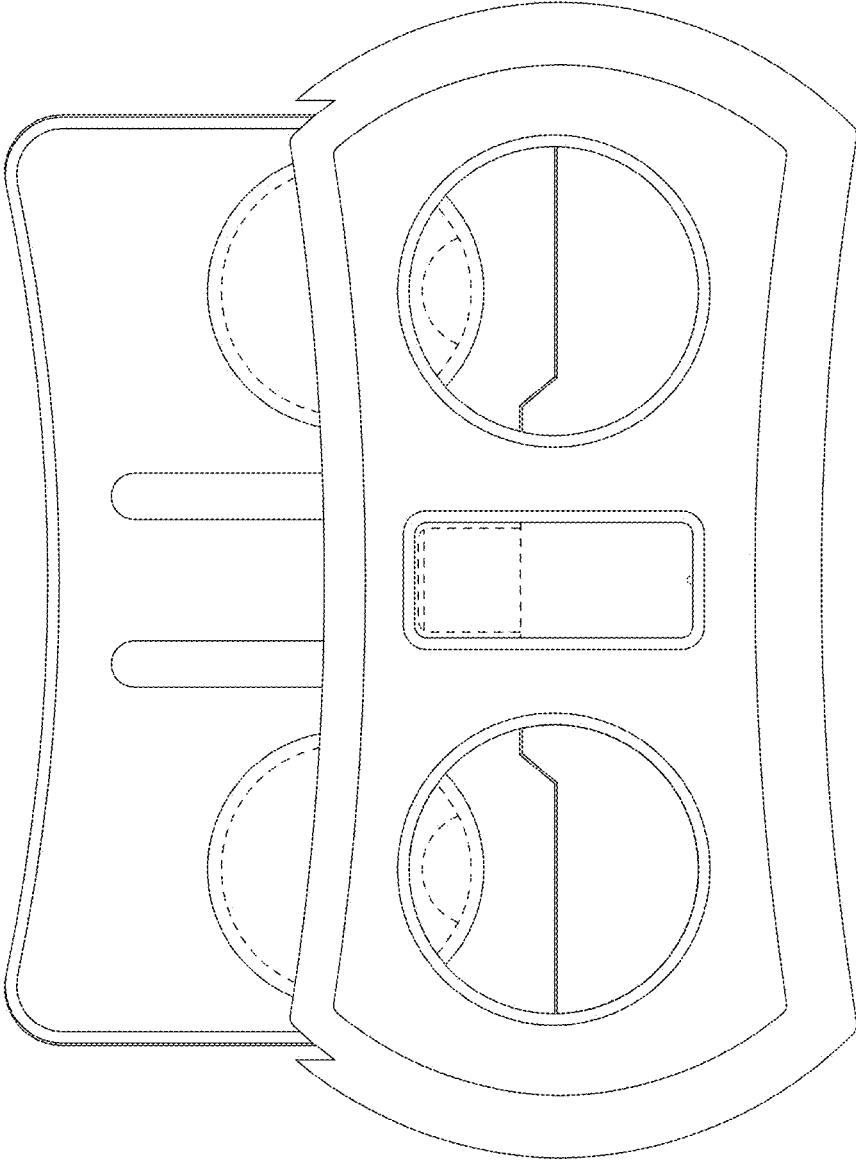


FIG. 5

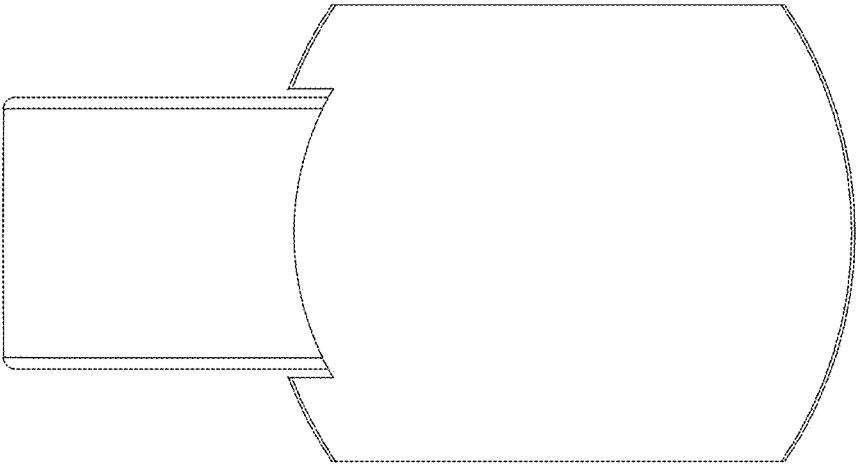


FIG. 6

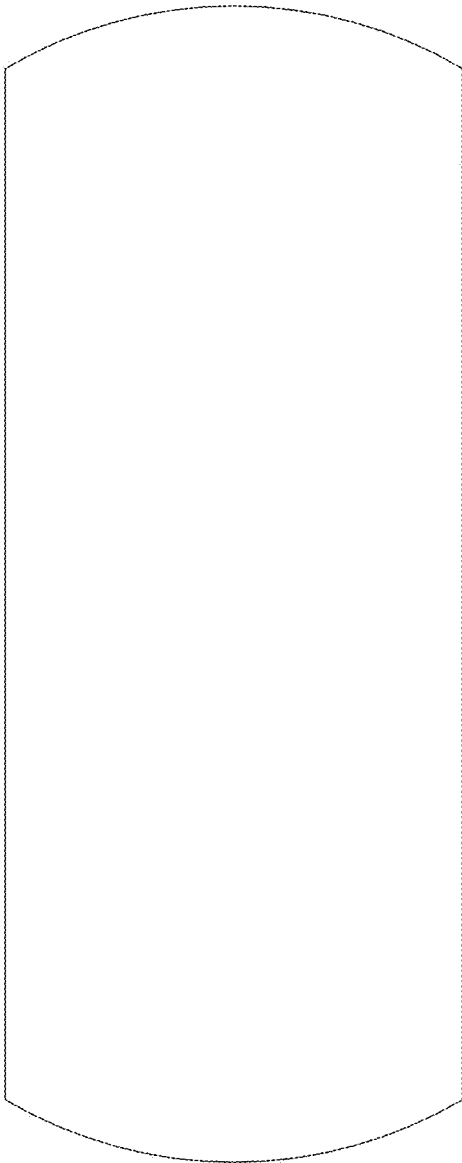


FIG. 7