



US00D985384S

(12) **United States Design Patent** (10) **Patent No.:** **US D985,384 S**
Cannamela et al. (45) **Date of Patent:** **** May 9, 2023**

(54) **COMBINED PACKAGE WITH DRUG DELIVERY DEVICE**

(71) Applicant: **Janssen Pharmaceutica NV**, Beerse (BE)

(72) Inventors: **Michael Cannamela**, Atlantic Highlands, NJ (US); **Emma Louise Hubert**, San Jose, CA (US)

(73) Assignee: **Janssen Pharmaceutica NV**, Beerse (BE)

(**) Term: **15 Years**

(21) Appl. No.: **29/717,663**

(22) Filed: **Dec. 18, 2019**

(51) **LOC (14) Cl.** **09-03**

(52) **U.S. Cl.**

USPC **D9/416**

(58) **Field of Classification Search**

USPC D9/414-418, 425, 737, 721, 707, 756, D9/748, 761, 426, 434, 732; D3/319, D3/203.1; D27/196; D24/114
CPC B65D 5/5088; B65D 73/0092; G06Q 30/0241

See application file for complete search history.

(56) **References Cited**

U.S. PATENT DOCUMENTS

D430,015 S 8/2000 Himbert
6,228,324 B1 5/2001 Hasegawa et al.
D549,094 S * 8/2007 Oner D9/425

(Continued)

FOREIGN PATENT DOCUMENTS

AU 113226 S 2/1992
AU 316236 9/2007

(Continued)

OTHER PUBLICATIONS

Dispositivo de medicamento Spravato (Janssen Pharmaceutica NV) Jun. 3, 2019, <https://www.scmp.com/news/world/united-states-canada/article/2188801/fda-approves-spravato-fast-acting-ketamine-nasal>.

Primary Examiner — Rhea Shields

(74) *Attorney, Agent, or Firm* — Mintz Levin Cohn Ferris Glovsky and Popeo, P.C.

(57) **CLAIM**

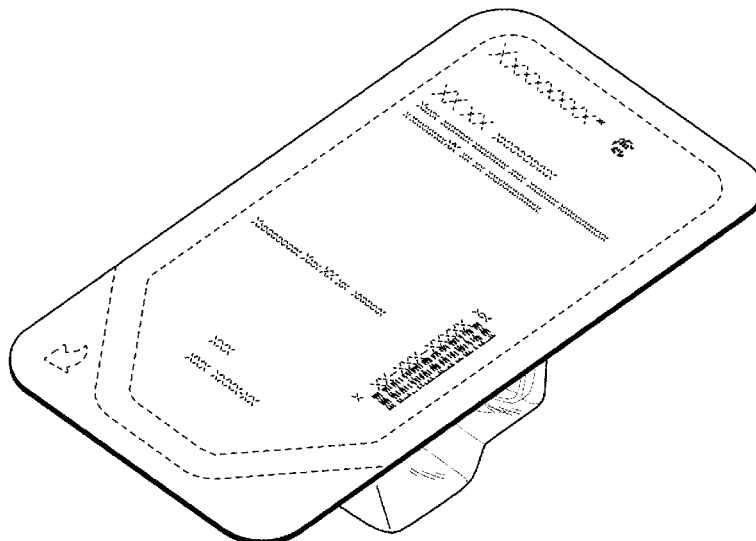
The ornamental design for a combined package with drug delivery device, as shown and described.

DESCRIPTION

FIG. 1 is a perspective view of a new design of a combined package with drug delivery device disposed therein; FIG. 2 is a perspective view of the combined package with drug delivery device of FIG. 1 shown with a lid removed; FIG. 3 is a top view of the combined package with drug delivery device of FIG. 1; FIG. 4 is a top view of the combined package with drug delivery device of FIG. 2; FIG. 5 is a bottom view of the combined package with drug delivery device of FIG. 1; FIG. 6 is a left view of the combined package with drug delivery device of FIG. 1; FIG. 7 is a right view of the combined package with drug delivery device of FIG. 1; FIG. 8 is a front view of the combined package with drug delivery device of FIG. 1; FIG. 9 is a back view of the combined package with drug delivery device of FIG. 1; and, FIG. 10 is an exploded view of the combined package with drug delivery device of FIG. 1.

In the drawings, the broken lines are for the purpose of illustrating portions of the package that form no part of the claimed design.

1 Claim, 6 Drawing Sheets



(56)

References Cited

U.S. PATENT DOCUMENTS

D569,721 S 5/2008 Gedanke
 D623,935 S 9/2010 Kim et al.
 D697,398 S 1/2014 Guevara-ludt
 D743,249 S * 11/2015 Wintmolders D9/425
 D750,502 S * 3/2016 Kirchmayr D9/732
 D754,547 S * 4/2016 Psimadas D9/748
 D758,180 S * 6/2016 Wintmolders D9/415
 9,422,094 B2 * 8/2016 Niiro B65D 5/5088
 D765,520 S * 9/2016 Gunder D9/732
 D767,985 S * 10/2016 Schouten D9/414
 D774,903 S * 12/2016 Joergensen D9/425
 D775,945 S * 1/2017 DiChiara D9/425
 D780,599 S * 3/2017 Tilahun D9/737
 D785,451 S * 5/2017 Biery D9/425
 D788,936 S 6/2017 Schill et al.
 D790,987 S * 7/2017 Damon D9/415
 D790,988 S * 7/2017 Vasiliadis D9/748
 D804,962 S * 12/2017 Fox D9/425
 D808,823 S * 1/2018 Greene D9/748
 D810,556 S * 2/2018 Holm D9/415
 D814,314 S * 4/2018 Mecker D9/416
 D814,918 S * 4/2018 Bos D9/415
 D818,815 S * 5/2018 Psimadas D9/415
 10,053,272 B2 * 8/2018 Doherty B65D 73/0092
 D840,800 S * 2/2019 Farrell D9/415
 D841,460 S * 2/2019 Toledo D9/425
 D842,092 S * 3/2019 Toledo D9/425
 D847,253 S 4/2019 Chang
 D847,624 S * 5/2019 Farrell D9/415
 D850,289 S * 6/2019 McCay D9/737
 D853,249 S * 7/2019 McKendree D9/737
 D854,408 S * 7/2019 Farrell D9/415
 D855,450 S * 8/2019 Klein D9/415
 D856,793 S * 8/2019 Debnath D9/721
 D860,435 S * 9/2019 Wang D24/114
 D870,550 S * 12/2019 Klein D9/434
 D871,205 S * 12/2019 Farrell D9/415
 D873,131 S * 1/2020 Watanabe D9/415

D877,613 S * 3/2020 McFaul D9/426
 10,577,165 B2 3/2020 Sadowski et al.
 D882,415 S * 4/2020 Duarte de Castro D9/737
 D887,283 S * 6/2020 Sennett D9/748
 D887,700 S * 6/2020 Folger D3/203.1
 D892,636 S * 8/2020 Troutd D9/761
 D898,588 S * 10/2020 An D9/748
 D906,102 S * 12/2020 Cook D9/737
 D909,890 S * 2/2021 Bryzek D9/737
 D915,904 S * 4/2021 Duarte de Castro D9/737
 D918,710 S * 5/2021 Hampton D9/415
 D920,573 S * 5/2021 Scudieri D9/707
 D934,069 S * 10/2021 Cook D9/737
 D938,831 S * 12/2021 Picken D9/756
 D939,139 S * 12/2021 Waters D27/196
 11,230,419 B2 * 1/2022 Tilahun G06Q 30/0241
 D945,847 S * 3/2022 Chen D3/319
 D949,018 S * 4/2022 Gysel D9/425
 D953,886 S * 6/2022 Collier D9/732
 D957,245 S * 7/2022 Müller D9/415
 D958,645 S * 7/2022 Debnath D9/721
 D959,052 S * 7/2022 Gerhards D9/707
 D961,376 S * 8/2022 Cook D9/737
 2018/0085515 A1 3/2018 Mide et al.

FOREIGN PATENT DOCUMENTS

AU 201713235 S 6/2017
 CL 2015001855 S1 12/2014
 CL 2017001388 S1 1/2016
 CL 2020001658 S1 6/2020
 CL 2020001659 S1 6/2020
 CL 2020001660 S1 6/2020
 CL 2020001661 S1 6/2020
 CO 09046884 9/2009
 EM 000243894-0001 1/2005
 NC 20200007409 6/2020
 TW D139069 S1 2/2011
 TW D171654 S 11/2015

* cited by examiner

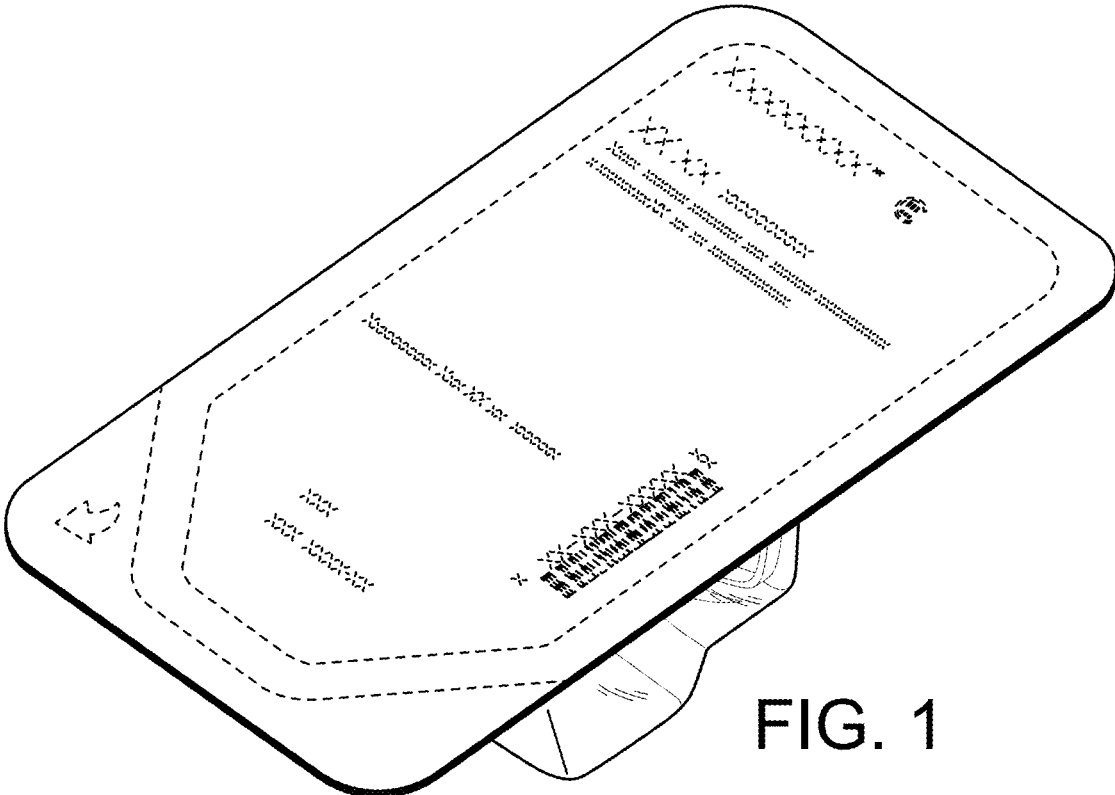


FIG. 1

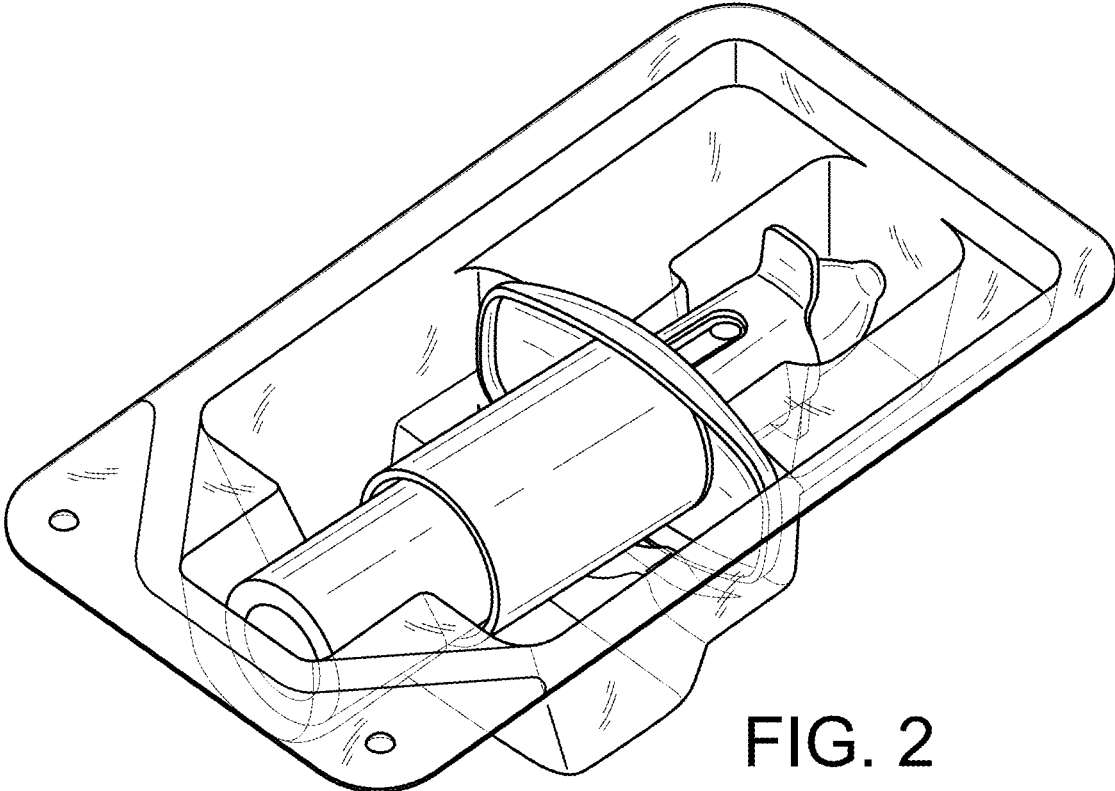


FIG. 2

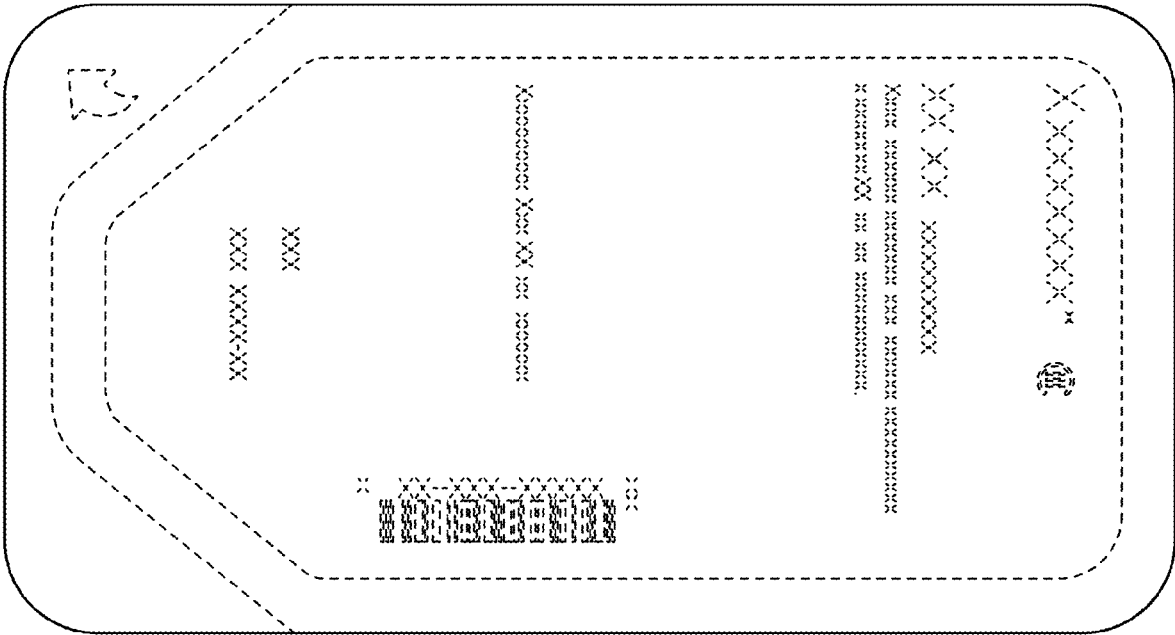


FIG. 3

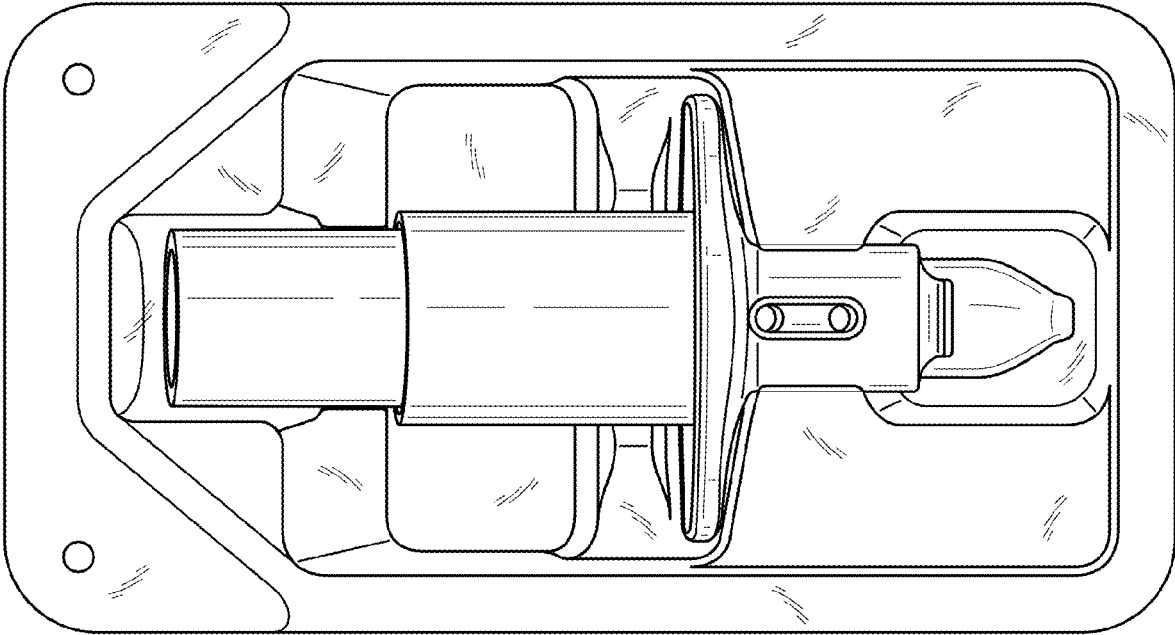


FIG. 4

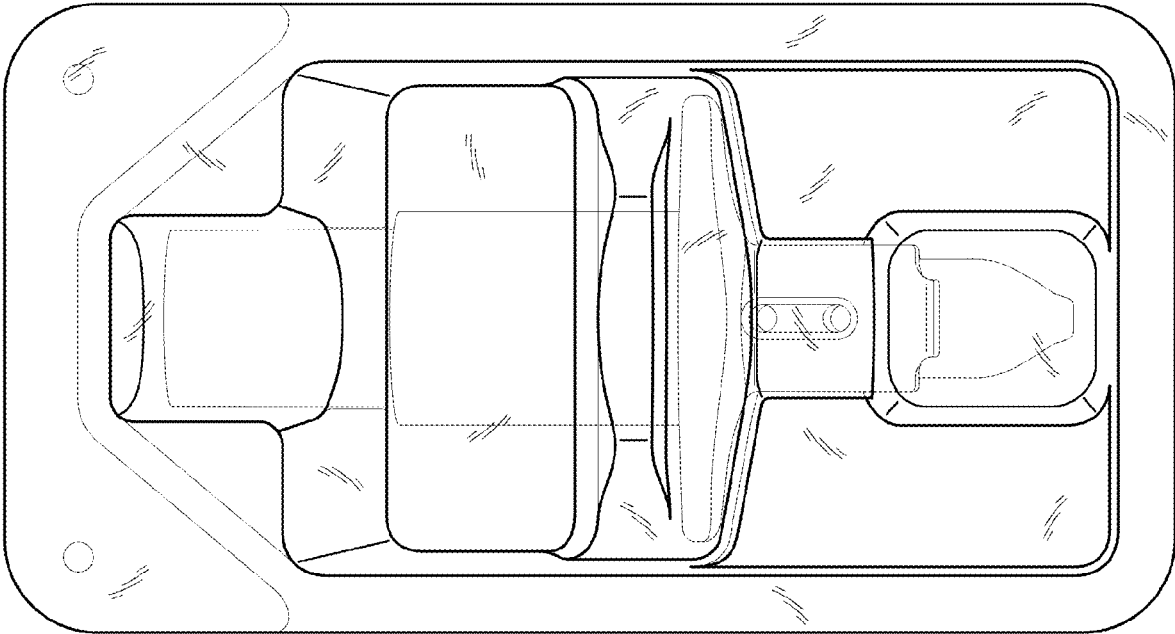


FIG. 5

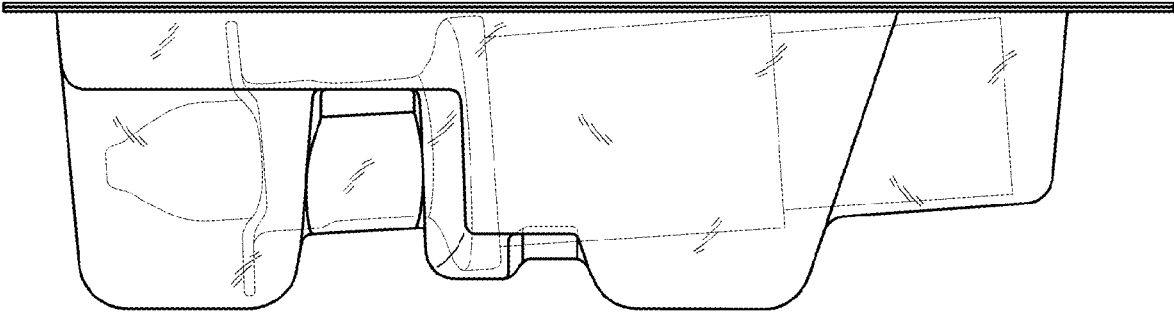


FIG. 6

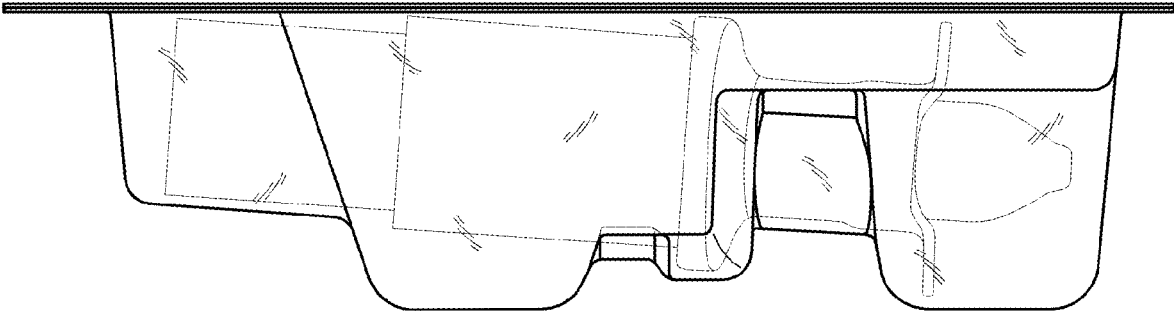


FIG. 7

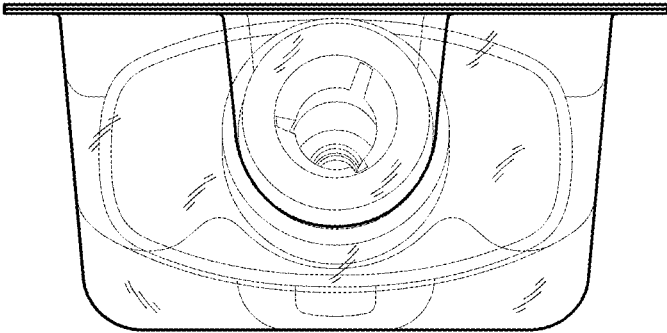


FIG. 8

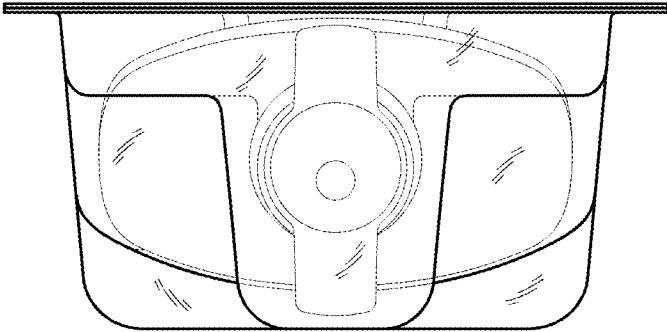


FIG. 9

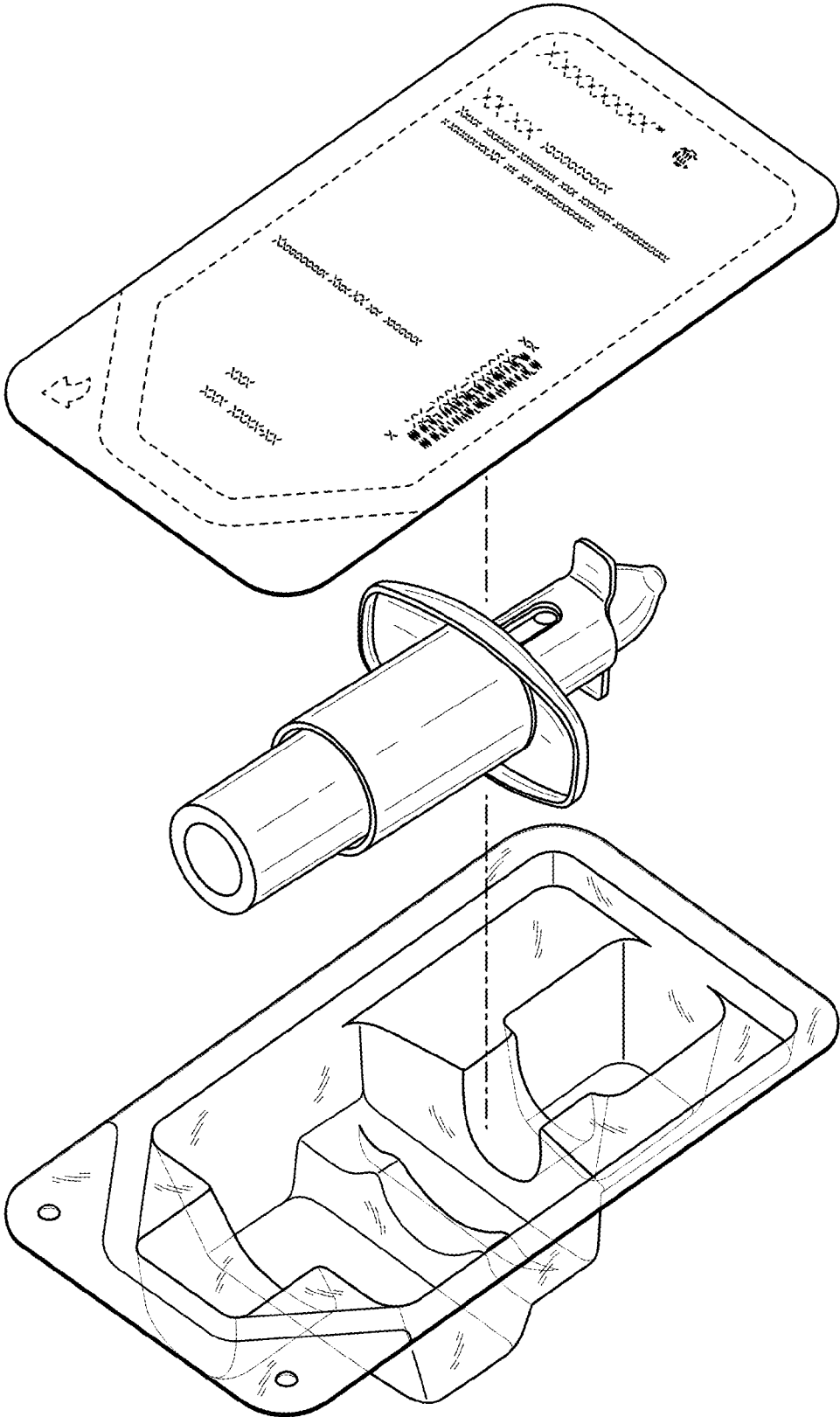


FIG. 10