



US00D849599S

(12) **United States Design Patent**
Rike

(10) **Patent No.:** **US D849,599 S**

(45) **Date of Patent:** **** May 28, 2019**

- (54) **TRUCK DUMP BODY** 3,472,548 A * 10/1969 Comisac B60H 1/00014
296/100.05
- (71) Applicant: **PALMER POWER AND TRUCK EQUIPMENT**, Indianapolis, IN (US) 3,498,486 A 3/1970 Freeman
3,552,659 A 1/1971 Meyer
(Continued)
- (72) Inventor: **James B. Rike**, Mooresville, IN (US) *Primary Examiner* — T Chase Nelson
- (73) Assignee: **Palmer Power and Truck Equipment**, Indianapolis, IN (US) *Assistant Examiner* — Ania Aman
(74) *Attorney, Agent, or Firm* — Tucker Ellis LLP; Carlos P. Garritano
- (**) Term: **15 Years** (57) **CLAIM**
- (21) Appl. No.: **29/663,855** The ornamental design for a truck dump body, as shown and described.
- (22) Filed: **Sep. 19, 2018**

DESCRIPTION

FIG. 1 is a top front perspective view of truck dump body showing my new design;
 FIG. 2 is a bottom rear perspective view of the truck dump body illustrated in FIG. 1;
 FIG. 3 is a bottom front perspective view of the truck dump body illustrated in FIG. 1;
 FIG. 4 is a top rear perspective view of the truck dump body illustrated in FIG. 1;
 FIG. 5 is front view of the truck dump body illustrated in FIG. 1;
 FIG. 6 is a rear view of the truck dump body illustrated in FIG. 1;
 FIG. 7 is a left side view of the truck dump body illustrated in FIG. 1;
 FIG. 8 is a right side view of the truck dump body illustrated in FIG. 1;
 FIG. 9 is a top view of the truck dump body illustrated in FIG. 1;
 FIG. 10 is a bottom view of the truck dump body illustrated in FIG. 1; and,
 FIG. 11 is an in use view of the truck dump body illustrated in FIG. 1.
 In the drawings, the broken lines depict environmental subject matter only that forms no part of the claimed design.

Related U.S. Application Data

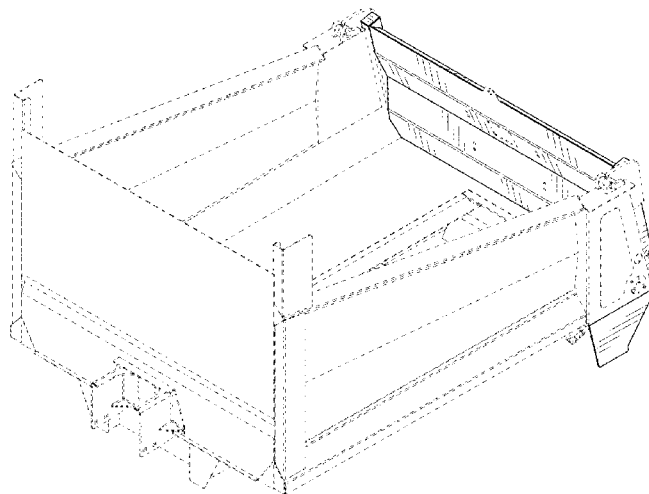
- (63) Continuation of application No. 29/521,559, filed on Mar. 24, 2015, now Pat. No. Des. 832,139.
- (51) **LOC (11) Cl.** **08-10**
- (52) **U.S. Cl.**
USPC **D12/15**
- (58) **Field of Classification Search**
USPC D12/15, 16, 196
CPC B60P 1/28; B60P 1/003; B60P 1/00; B60P 1/4492; B60P 1/36; B60P 1/04; B60P 1/26; B60P 1/273; E05F 5/025; B60J 5/106; B62D 33/023
See application file for complete search history.

References Cited

U.S. PATENT DOCUMENTS

- 1,517,697 A 12/1928 Barrett
- D104,441 S * 5/1937 Cohen D12/15
- D132,903 S 6/1942 Biszantz
- 2,697,609 A 8/1948 Chase
- D189,025 S 10/1960 Acker
- 3,010,727 A 11/1961 Swenson
- 3,041,111 A 6/1962 Wyrick
- RE25,709 E 1/1965 Swenson

1 Claim, 9 Drawing Sheets



(56)

References Cited

U.S. PATENT DOCUMENTS

2,577,310	A	11/1973	Smith	6,354,786	B1	3/2002	Feller
3,813,124	A	5/1974	Roland	6,364,598	B1	4/2002	Vickers et al.
3,857,452	A	12/1974	Hartman	6,394,735	B2	5/2002	Hollinrake et al.
3,905,493	A	9/1975	Logue	6,446,879	B1	9/2002	Kime
4,063,779	A	12/1977	Martin	6,585,472	B2	7/2003	Hollinrake et al.
D309,816	S *	8/1990	Morrow, Sr.	6,698,997	B2	3/2004	Arne et al.
5,033,794	A	7/1991	Vick	6,881,022	B2	4/2005	Feller
5,192,189	A	3/1993	Murata	6,945,482	B2	9/2005	Hollinrake et al.
5,518,286	A *	5/1996	McCormack B60J 5/108	7,913,931	B2	3/2011	Hollinrake et al.
			296/57.1	9,260,044	B1	2/2016	Hine
D373,752	S *	9/1996	McCormack D12/196	9,731,775	B1 *	8/2017	Tsumiyama B60R 9/065
D386,128	S *	11/1997	Gerding D12/15	2003/0156933	A1	8/2003	Arne
5,772,389	A	6/1998	Feller	2003/0161710	A1	8/2003	Musso
D409,524	S	5/1999	McKinney	2004/0174036	A1 *	9/2004	Kent B60P 1/26
5,927,617	A	7/1999	Musso				296/57.1
D425,825	S	5/2000	Shambeau	2007/0063526	A1 *	3/2007	Poudrier B60P 1/26
D425,845	S *	5/2000	Gerding D12/196				296/39.3
D429,662	S	8/2000	Smith	2007/0096536	A1	5/2007	Gapski
D430,091	S *	8/2000	Smith D12/196	2011/0025117	A1 *	2/2011	Williams, III B60P 1/26
D433,979	S *	11/2000	Gerding D12/196				298/23 R
6,186,731	B1	2/2001	Vickers et al.	2014/0183904	A1	7/2014	Moon
6,209,964	B1	4/2001	Pinto	2014/0286739	A1	9/2014	Helmsderfer
D445,067	S *	7/2001	Musso, Jr. D12/15	2015/0354254	A1 *	12/2015	Huston B62D 33/037
D450,627	S	11/2001	Musso				296/50
				2016/0280121	A1 *	9/2016	Rike B60P 1/36

* cited by examiner

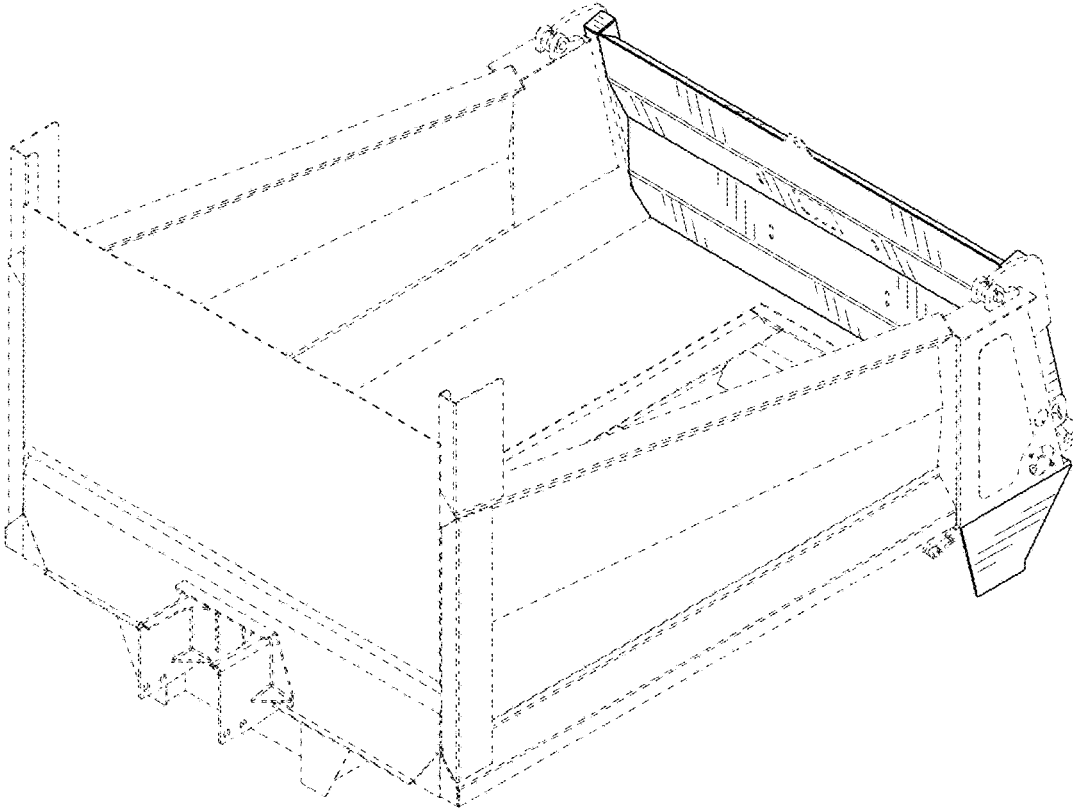


FIG. 1

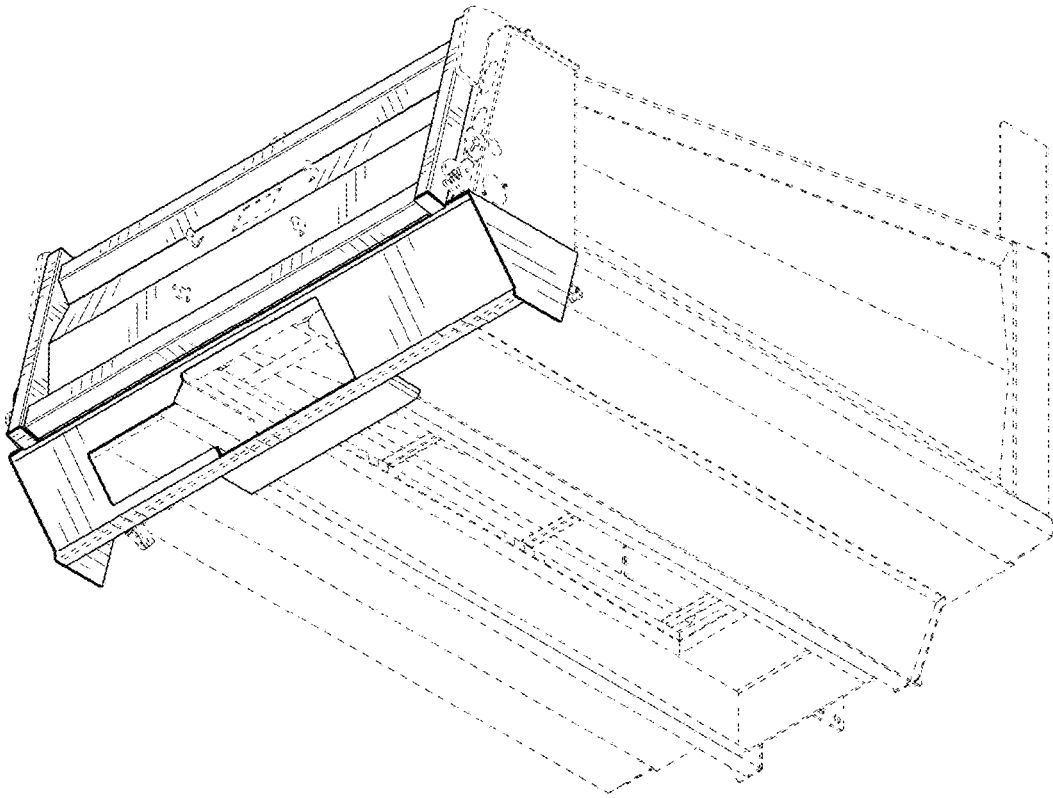


FIG. 2

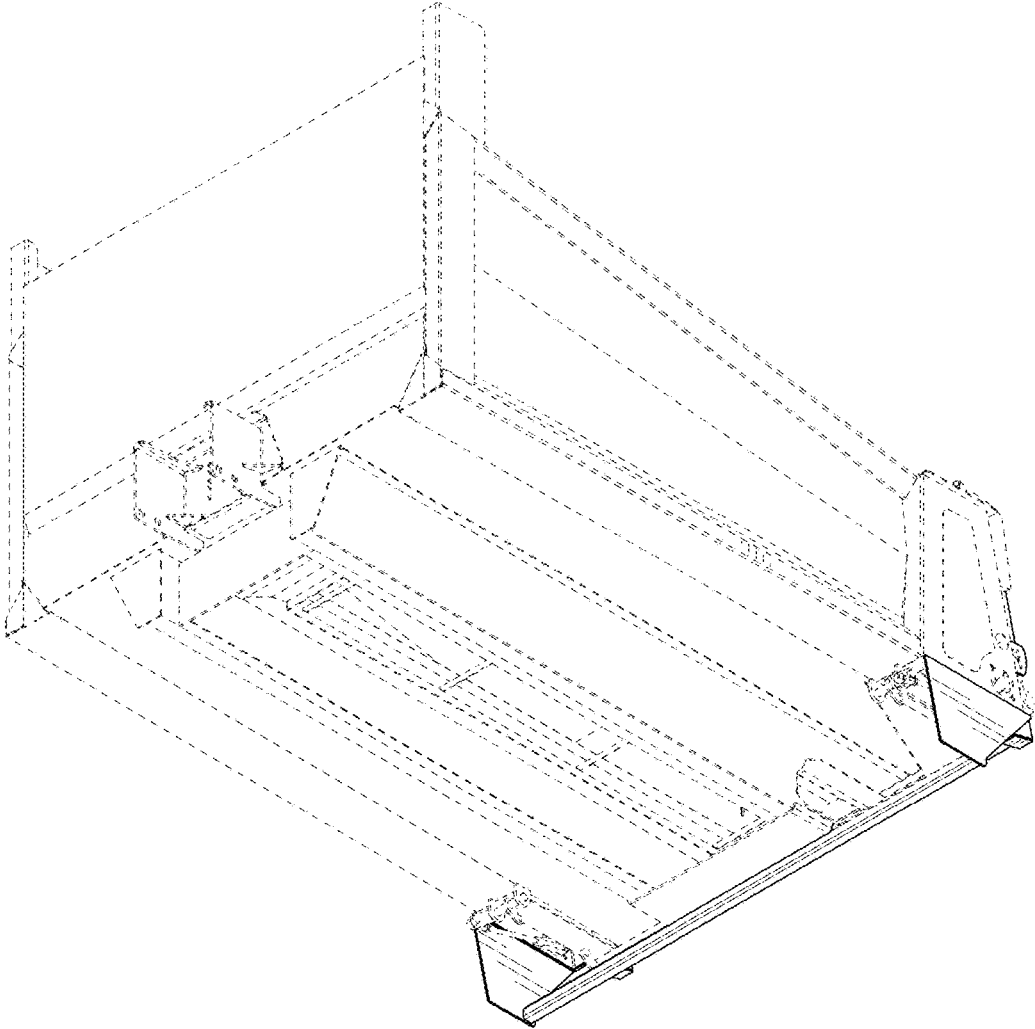


FIG. 3

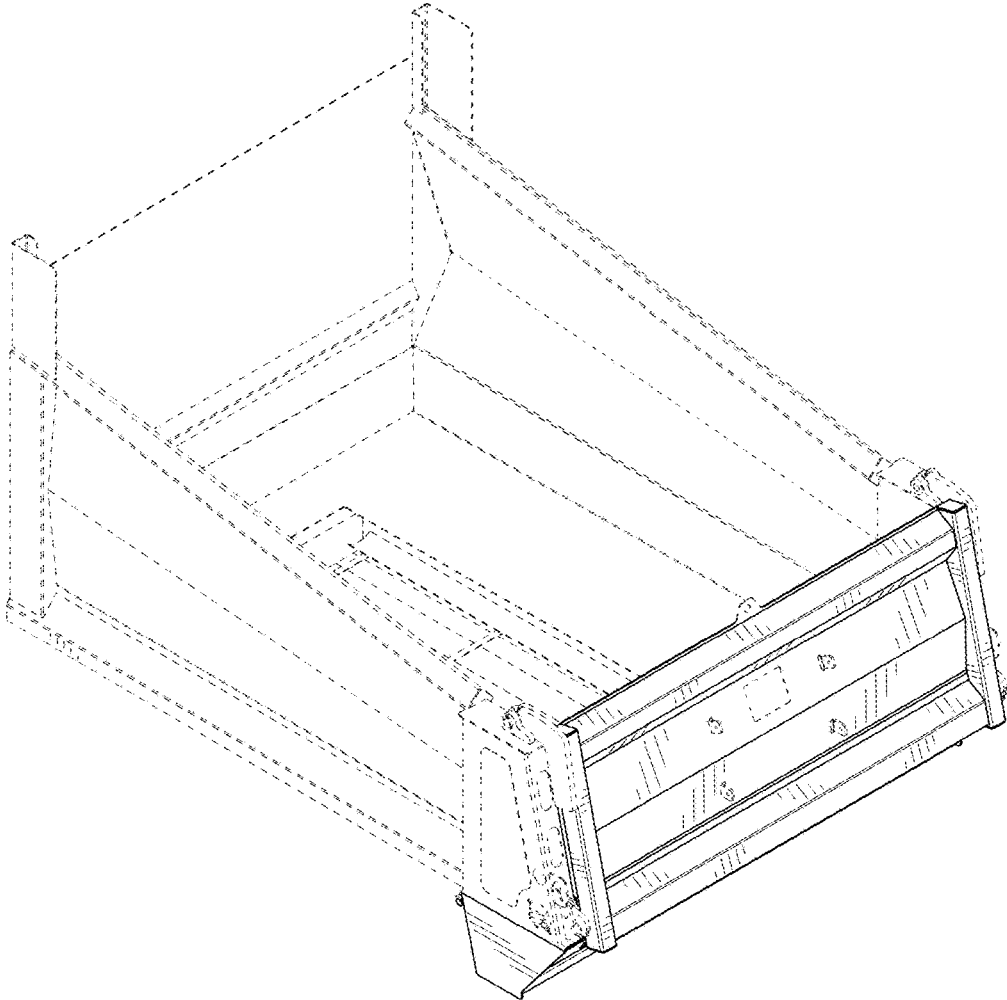


FIG. 4

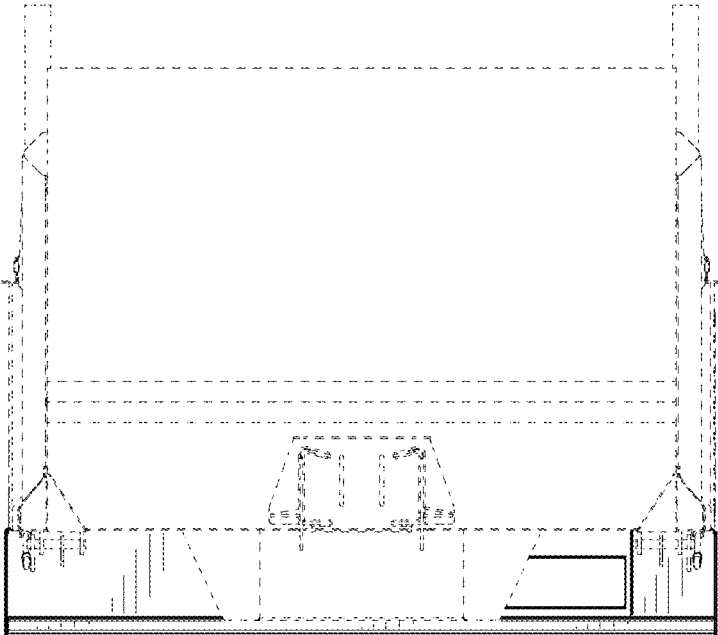


FIG. 5

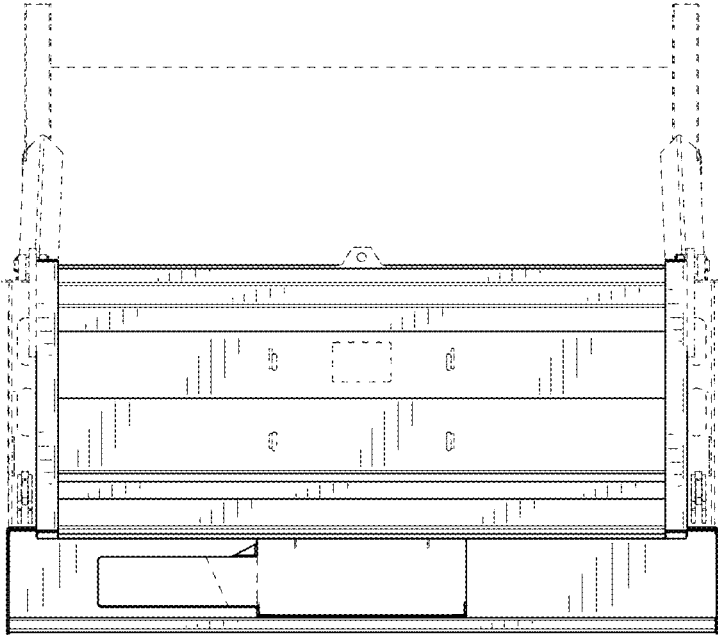


FIG. 6

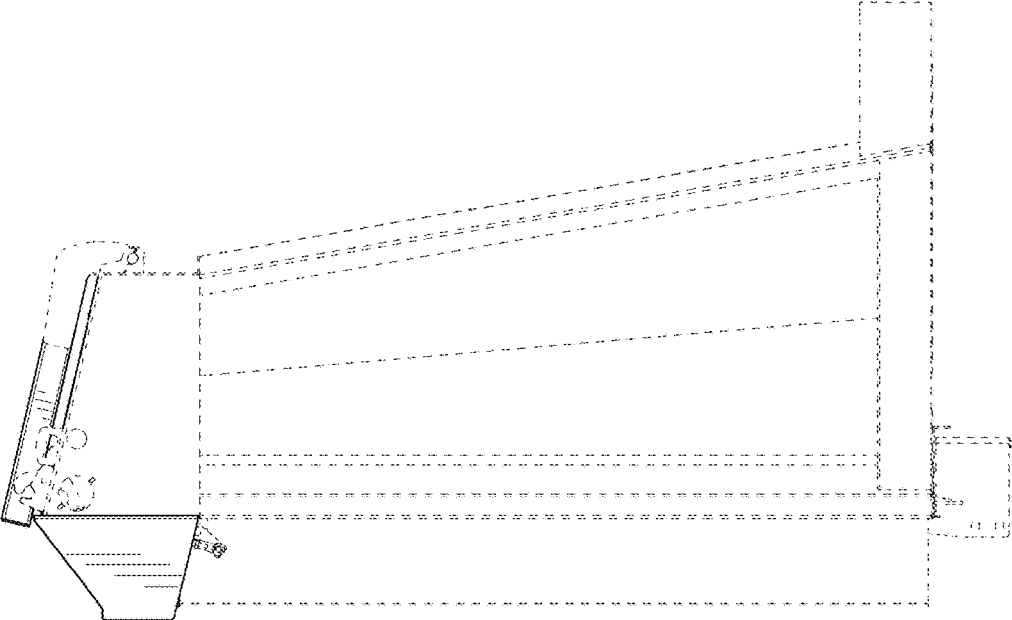


FIG. 7

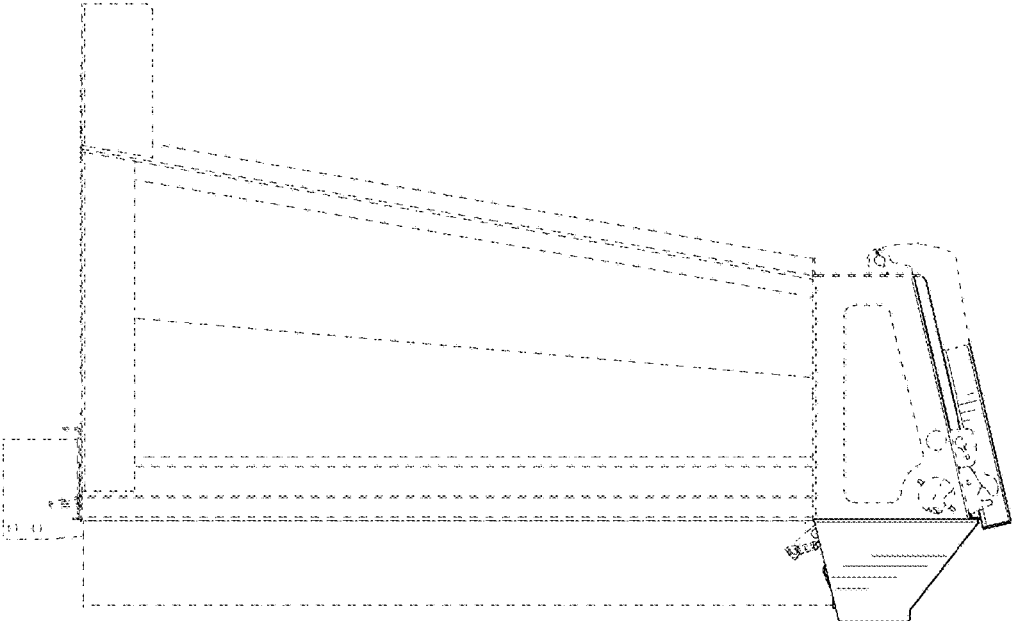


FIG. 8

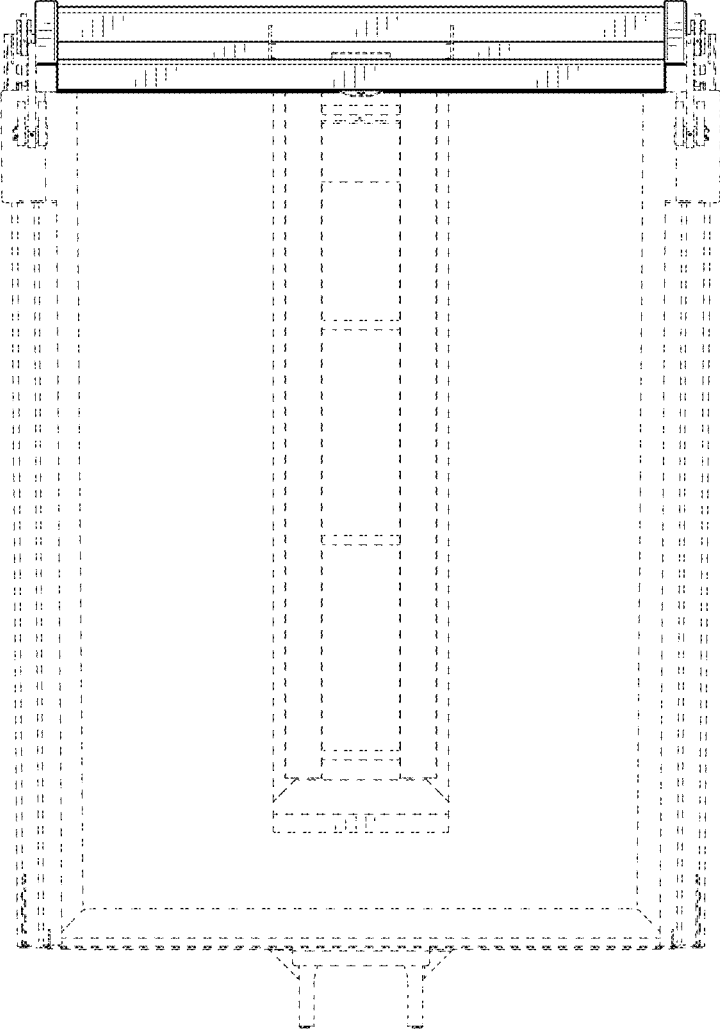


FIG. 9

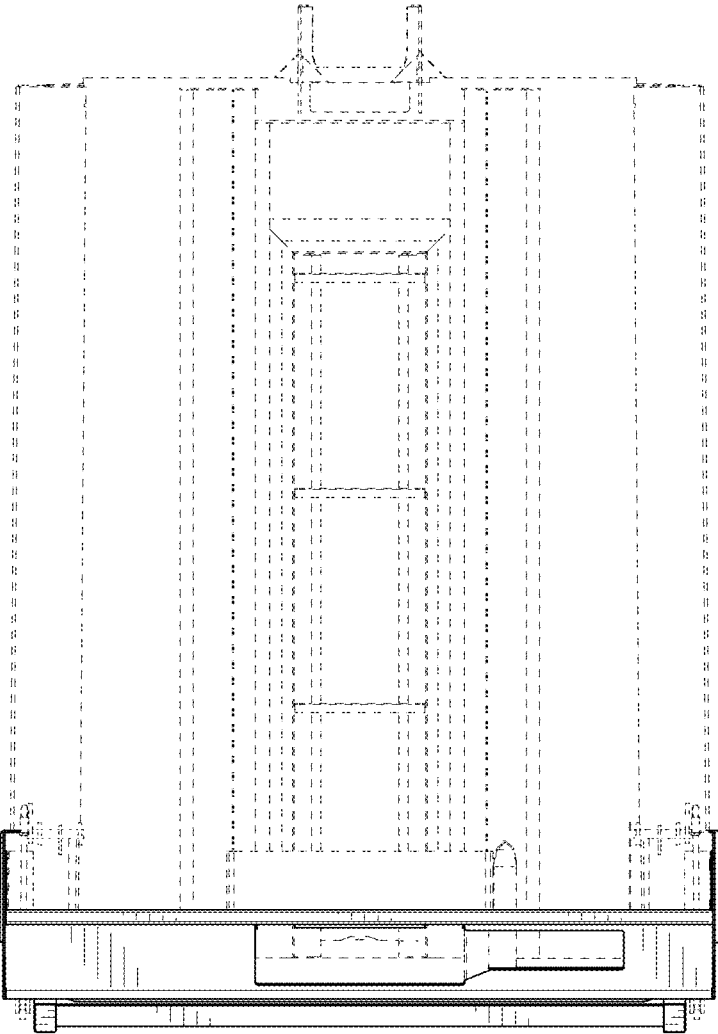


FIG. 10

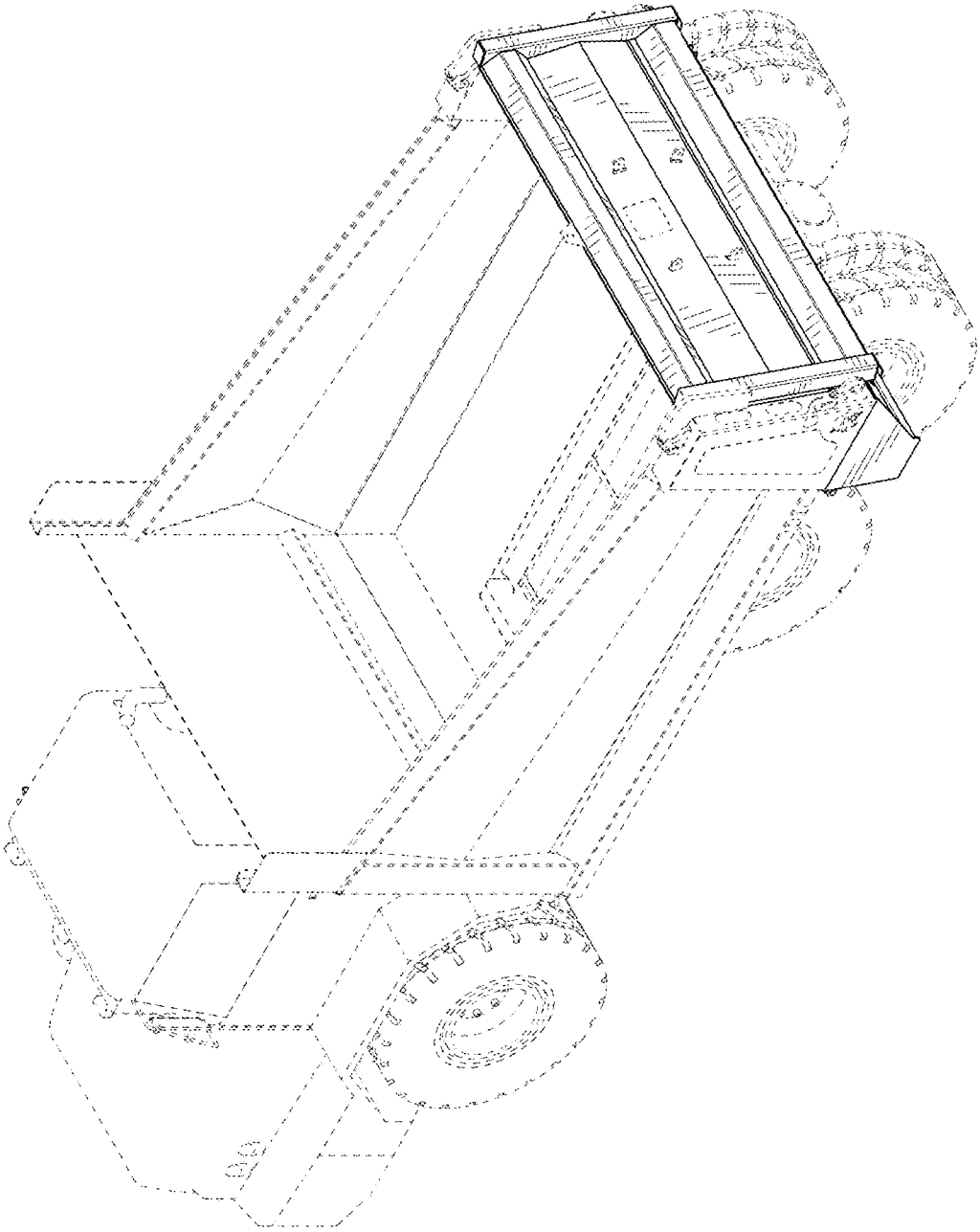


FIG. 11