



US00D834666S

(12) **United States Design Patent**  
**Tang**

(10) **Patent No.:** **US D834,666 S**

(45) **Date of Patent:** **\*\* Nov. 27, 2018**

(54) **GOLF CLUB HEAD**

(71) Applicant: **Callaway Golf Company**, Carlsbad, CA (US)

(72) Inventor: **Larry Tang**, Carlsbad, CA (US)

(73) Assignee: **Callaway Golf Company**, Carlsbad, CA (US)

(\*\*) Term: **15 Years**

(21) Appl. No.: **29/618,967**

(22) Filed: **Sep. 26, 2017**

(51) **LOC (11) Cl.** ..... **21-02**

(52) **U.S. Cl.**  
USPC ..... **D21/759**

(58) **Field of Classification Search**  
USPC ..... D21/747-751, 759  
CPC ..... A63B 53/00; A63B 53/02; A63B 53/04;  
A63B 53/047; A63B 53/0475; A63B  
2053/0479; A63B 2053/0483; A63B  
2053/0445; A63B 60/00; A63B 60/46  
See application file for complete search history.

(56) **References Cited**

**U.S. PATENT DOCUMENTS**

D353,644 S *	12/1994	Hirsch	.....	D21/748
D401,637 S *	11/1998	Best	.....	D21/747
D465,253 S *	11/2002	Best	.....	D21/759
D469,140 S *	1/2003	Best	.....	D21/759
D475,107 S *	5/2003	Madore	.....	D21/759
D475,108 S *	5/2003	Madore	.....	D21/759
D487,127 S *	2/2004	Madore	.....	D21/747
D499,155 S *	11/2004	Imamoto	.....	D21/747
D512,756 S *	12/2005	Kawami	.....	D21/747
D516,649 S *	3/2006	Imamoto	.....	D21/747

D517,629 S *	3/2006	Madore	.....	D21/759
D629,061 S *	12/2010	Llewellyn	.....	D21/759
D645,103 S *	9/2011	Llewellyn	.....	D21/759
D647,986 S *	11/2011	Atwell	.....	D21/747
D669,947 S *	10/2012	Kim	.....	D21/747
D715,881 S *	10/2014	Roche	.....	D21/759
D720,026 S *	12/2014	Llewellyn	.....	D21/759
D720,027 S *	12/2014	Voshall	.....	D21/759
D736,872 S *	8/2015	Llewellyn	.....	D21/759
D736,873 S *	8/2015	Voshall	.....	D21/759
D738,448 S *	9/2015	Asatsuma	.....	D21/759
D788,236 S *	5/2017	Bishop	.....	D21/747
D798,405 S *	9/2017	Asatsuma	.....	D21/759
D827,076 S *	8/2018	Tang	.....	D21/759

\* cited by examiner

*Primary Examiner* — Mitchell I. Siegel

(74) *Attorney, Agent, or Firm* — Rebecca Hanovice;  
Michael Catania; Sonia Lari

(57) **CLAIM**

The ornamental design for a golf club head, as shown and described.

**DESCRIPTION**

FIG. 1 is a rear perspective view of the golf club head claimed herein;

FIG. 2 is a front elevational view thereof;

FIG. 3 is a rear elevational view thereof;

FIG. 4 is a left side elevational view thereof;

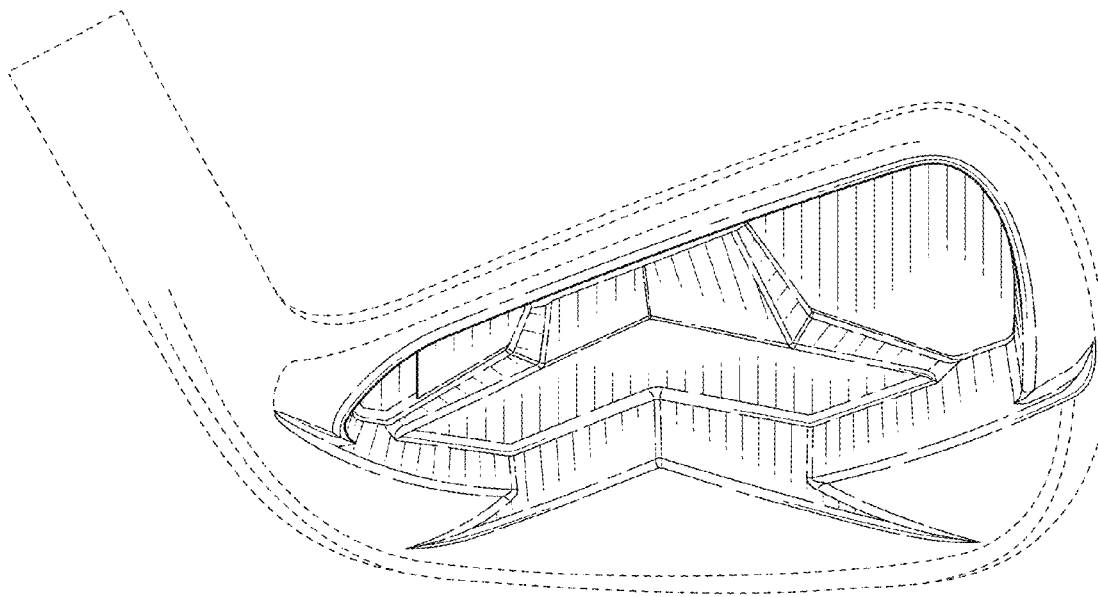
FIG. 5 is right side elevational view thereof;

FIG. 6 is a top plan view thereof; and,

FIG. 7 is a bottom plan view thereof.

The broken line showing of unclaimed portions of the golf club head is included for the purpose of illustrating unclaimed subject matter and forms no part of the claimed design.

**1 Claim, 3 Drawing Sheets**



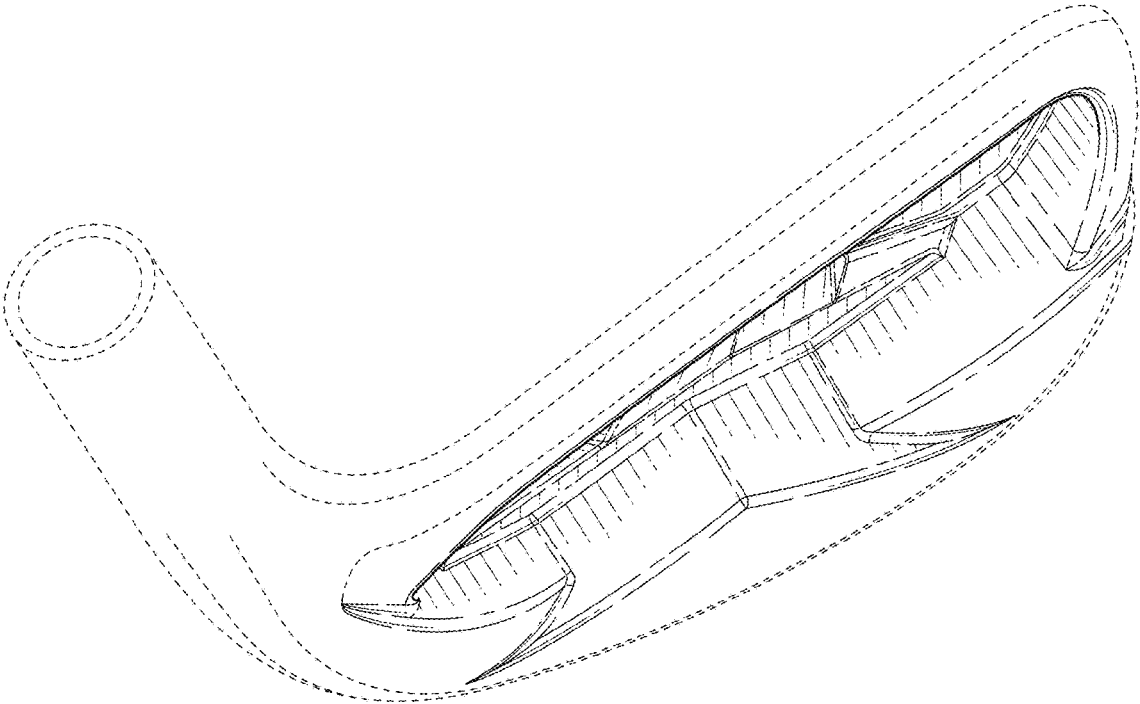


FIG. 1

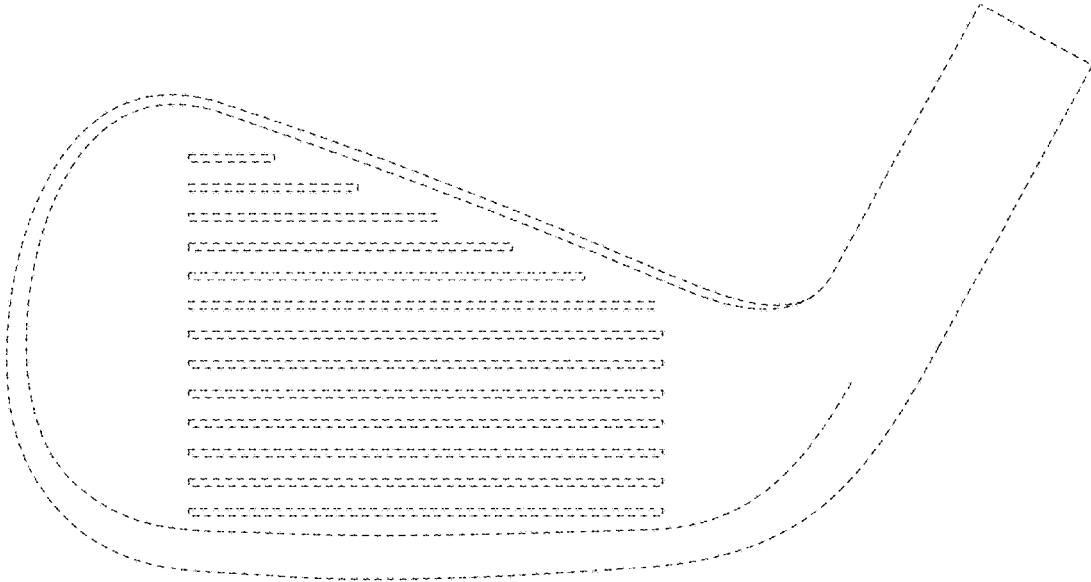


FIG. 2

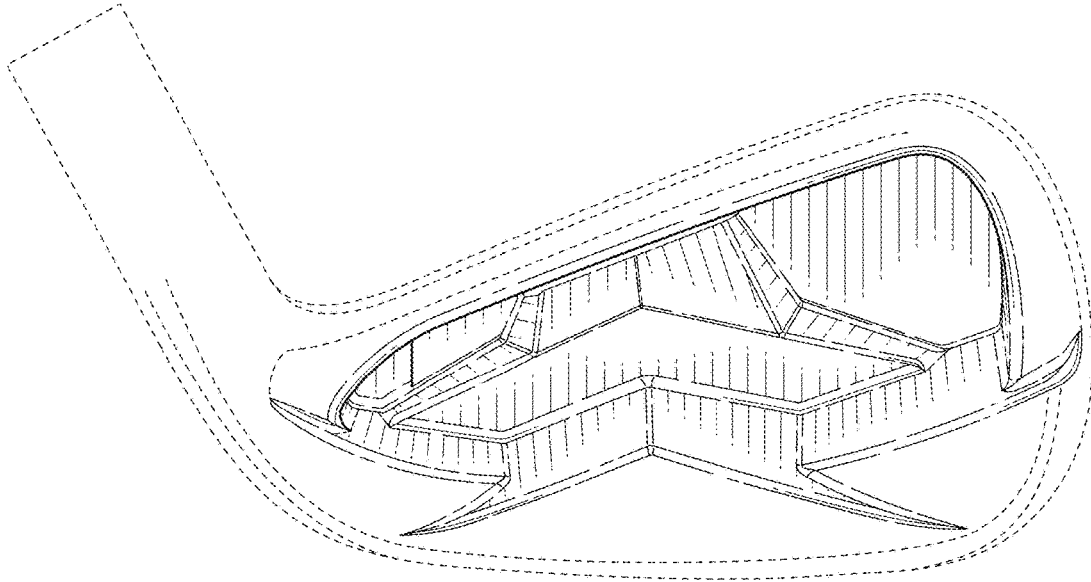


FIG. 3

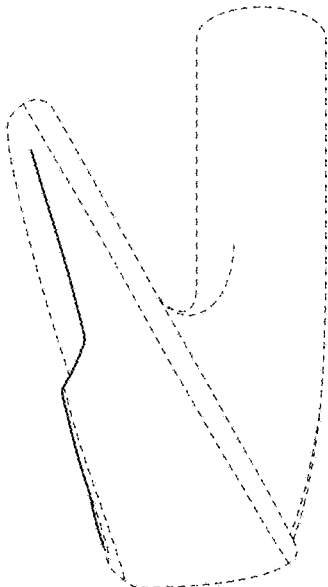


FIG. 4

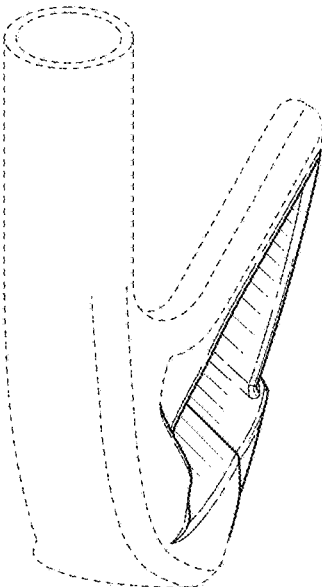


FIG. 5

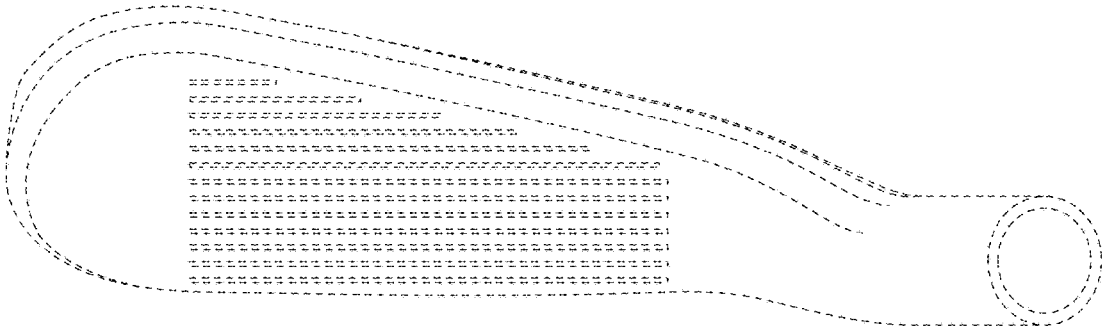


FIG. 6

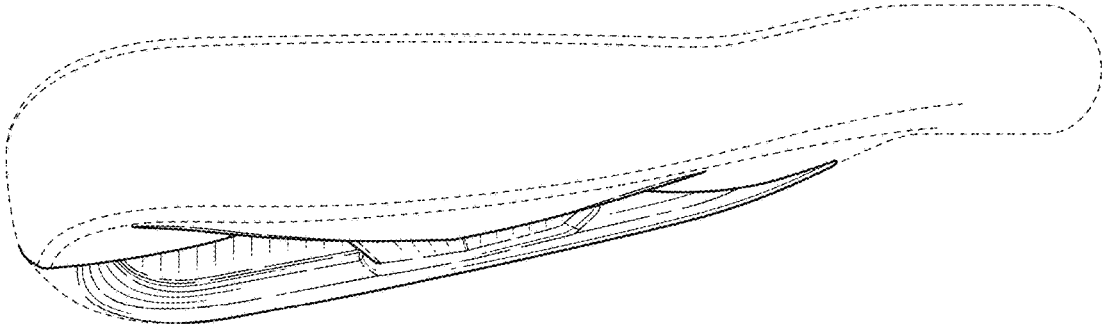


FIG. 7