



US00D380630S

**United States Patent** [19]  
**Ahrensburg**

[11] **Patent Number: Des. 380,630**  
[45] **Date of Patent: \*\*Jul. 8, 1997**

[54] **COMPUTER TABLE**

[76] **Inventor: Fernando Gutierrez Ahrensburg,**  
Tabasco No. 88, Colonia Roma, 06700,  
Mexico City, Mexico

[\*\*] **Term: 14 Years**

[21] **Appl. No.: 41,225**

[22] **Filed: Jun. 10, 1995**

[51] **LOC (6) Cl. .... 06-03**

[52] **U.S. Cl. .... D6/486; D6/423; D6/427**

[58] **Field of Search .... D6/480-489, 495,**  
D6/497, 499, 397, 423, 425, 427, 419,  
420, 421; 108/25, 26, 150, 153, 161

[56] **References Cited**

**U.S. PATENT DOCUMENTS**

- D. 179,633 2/1957 Fox ..... D6/420
- D. 353,279 12/1994 Funk ..... D6/427 X
- D. 362,761 10/1995 Hood ..... D6/423 X
- D. 365,223 12/1995 Pryor ..... D6/419

**OTHER PUBLICATIONS**

Interior Design Market, Winter 1990, p. 51, table at bottom left.

Modern Office 1993-1994, p. 5, #F at bottom center.

*Primary Examiner*—Janice E. Seeger

*Attorney, Agent, or Firm*—Gregory S. Rosenblatt

[57] **CLAIM**

The ornamental design for a computer table, as shown and described.

**DESCRIPTION**

FIG. 1 is a top left front perspective view of a computer table showing my new design;

FIG. 2 is a front elevational view thereof;

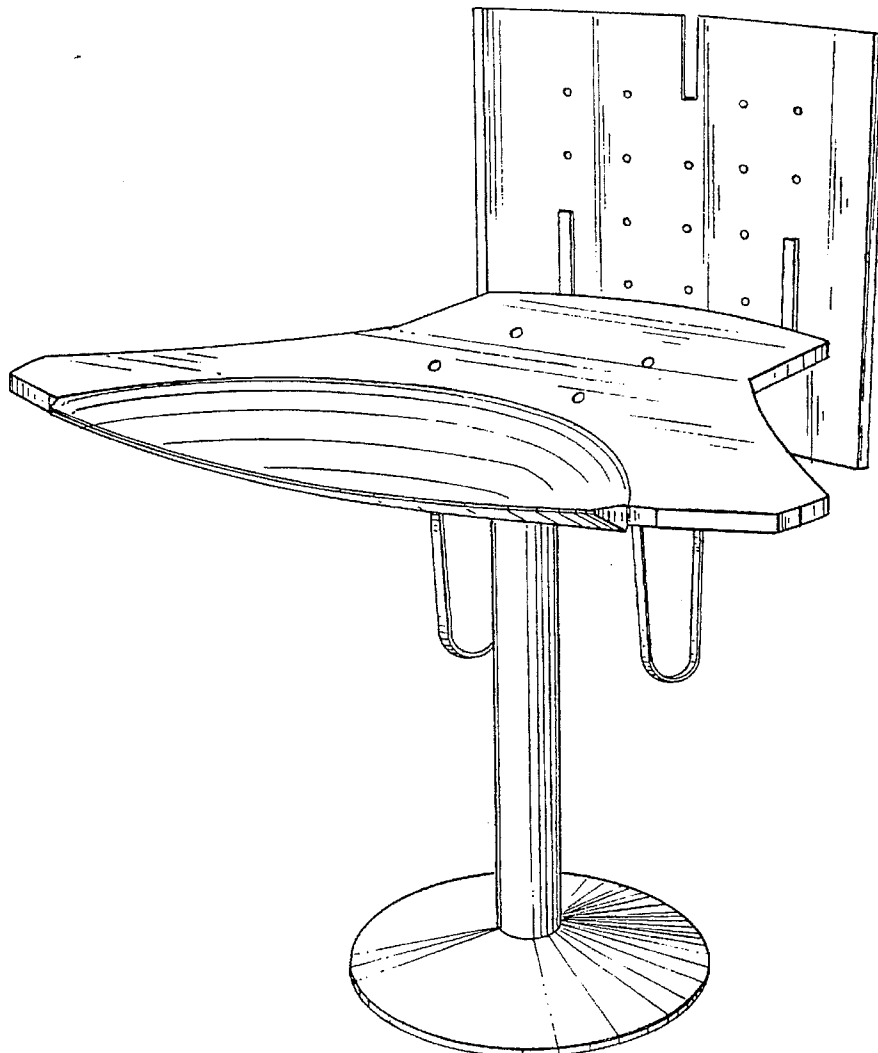
FIG. 3 is a right side elevational view thereof;

FIG. 4 is a left side elevational view thereof;

FIG. 5 is a top plan view thereof; and,

FIG. 6 is a bottom plan view thereof.

**1 Claim, 4 Drawing Sheets**



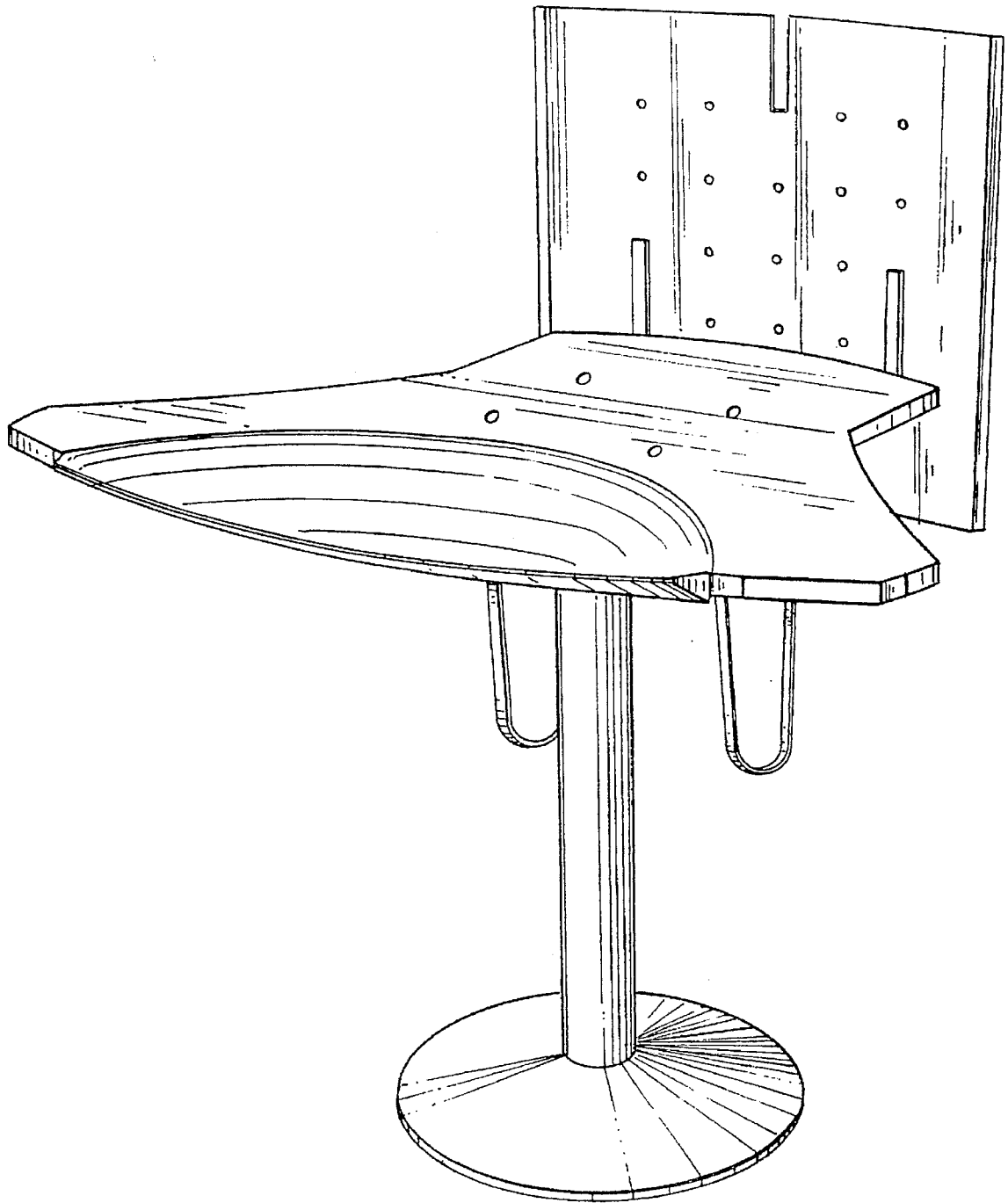


FIG-1

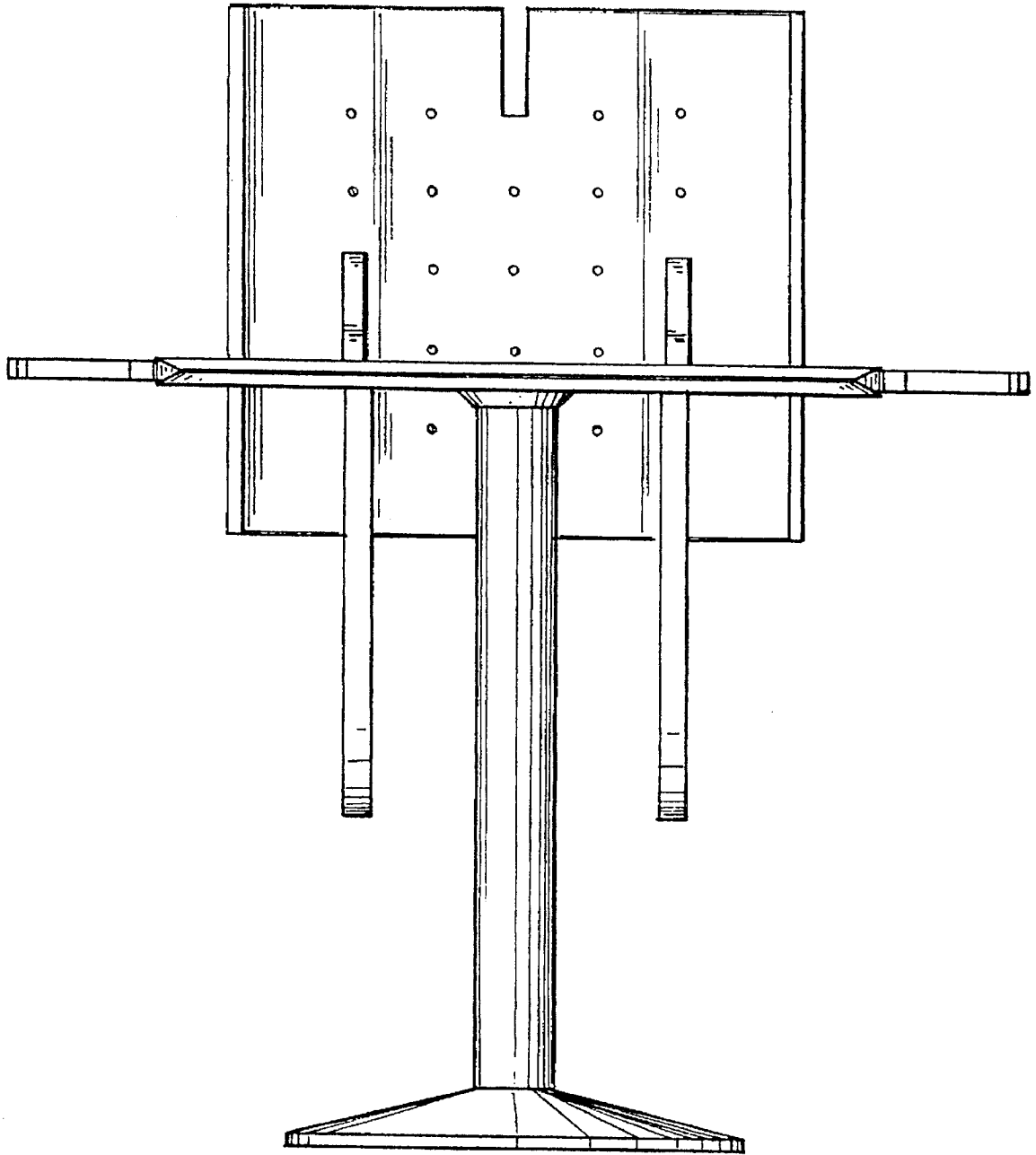


FIG -2

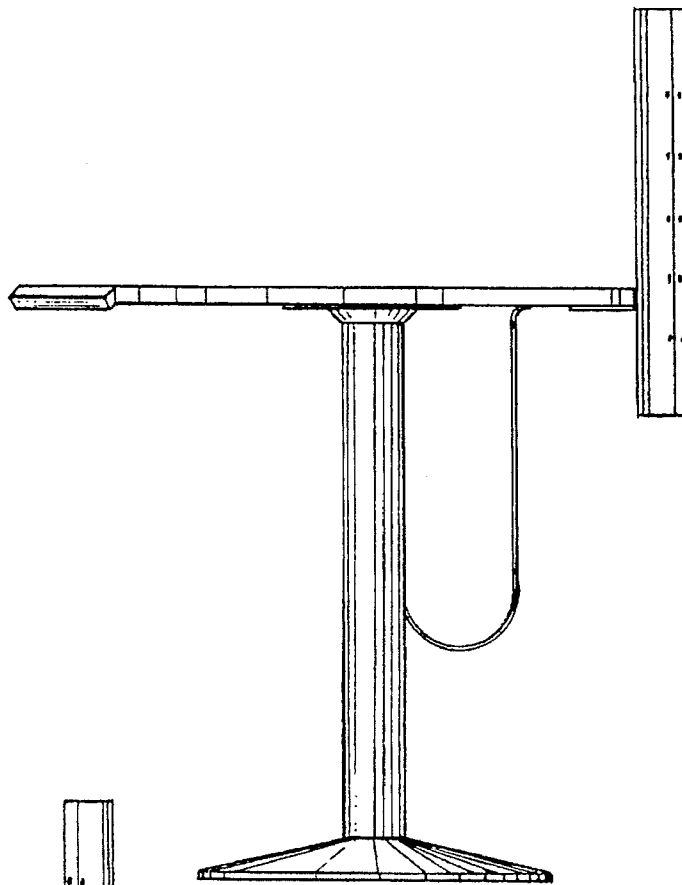


FIG - 3

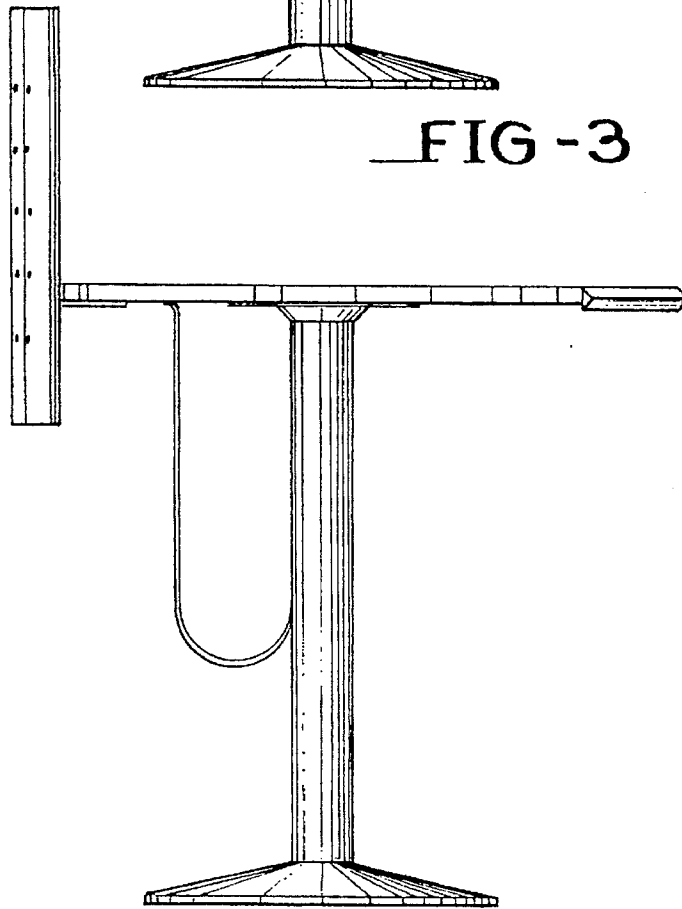


FIG - 4

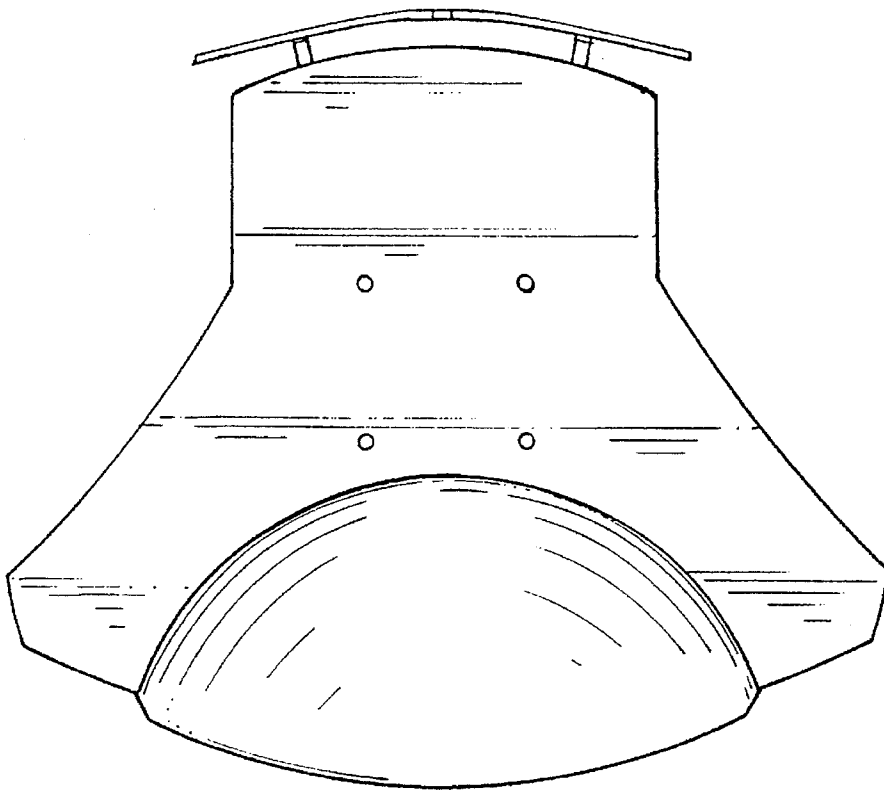


FIG-5

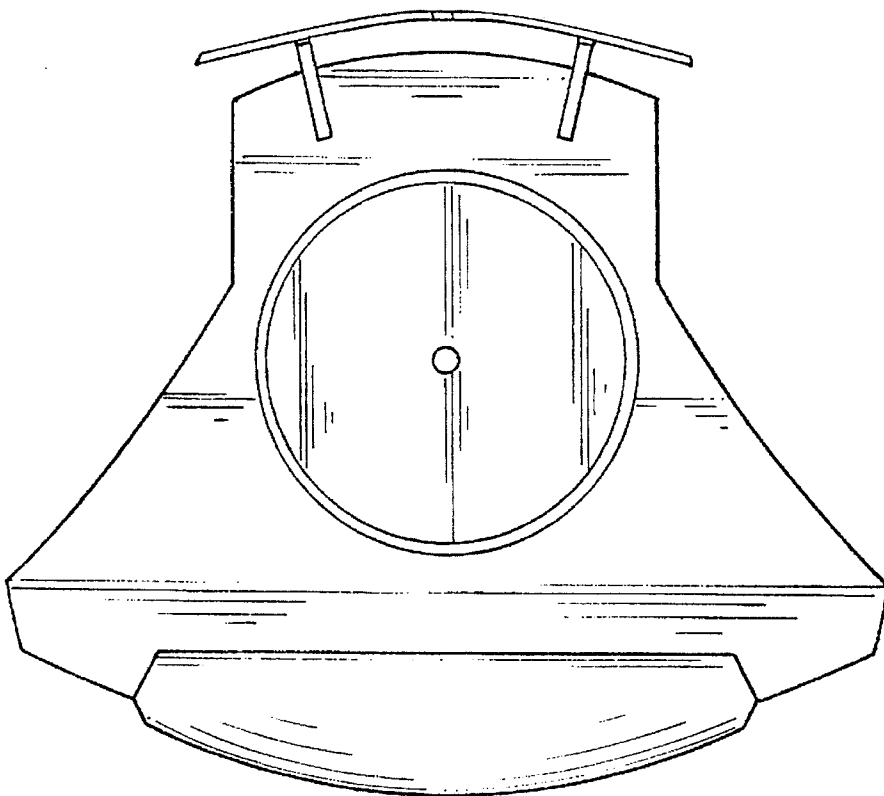


FIG-6