



US00D705070S

(12) **United States Design Patent**  
**Zheng et al.**

(10) **Patent No.:** **US D705,070 S**

(45) **Date of Patent:** **\*\* May 20, 2014**

(54) **ELECTRONIC VAPORIZED REFILLING LIQUID BOTTLE**

(75) Inventors: **Junxiang Zheng**, Guangdong (CN);  
**Zhixuan Zheng**, Guangdong (CN)

(73) Assignee: **Changning Dekang Biotechnology Co., Ltd.**, Shenzhen, Guangdong (CN)

(\*\*) Term: **14 Years**

(21) Appl. No.: **29/393,120**

(22) Filed: **May 31, 2011**

(51) **LOC (10) Cl.** ..... **09-01**

(52) **U.S. Cl.**  
USPC ..... **D9/529; D9/523; D9/551; D9/556;**  
**D9/564**

(58) **Field of Classification Search**

USPC ..... **D9/529, 502-505, 516, 521, 523,**  
**D9/550-552, 554, 556, 559, 563, 565, 567,**  
**D9/569, 571, 417, 422, 429, 435, 436, 440,**  
**D9/446-449, 452-453, 682, 686, 688, 692,**  
**D9/694, 723, 725, 564; D4/114, 116;**  
**D24/110, 115; 215/379-382, 384;**  
**220/660, 600, 609**

See application file for complete search history.

(56) **References Cited**

U.S. PATENT DOCUMENTS

D198,964 S \* 8/1964 Dash ..... D24/115  
D228,280 S \* 9/1973 Kretz ..... D9/548  
D368,425 S \* 4/1996 Newell ..... D9/504  
D518,727 S \* 4/2006 Haley et al. .... D9/504  
D603,710 S \* 11/2009 Wilson et al. .... D9/551

FOREIGN PATENT DOCUMENTS

CN 302017809 \* 8/2012

\* cited by examiner

*Primary Examiner* — Wan Laymon

(74) *Attorney, Agent, or Firm* — Jackson IPG PLLC

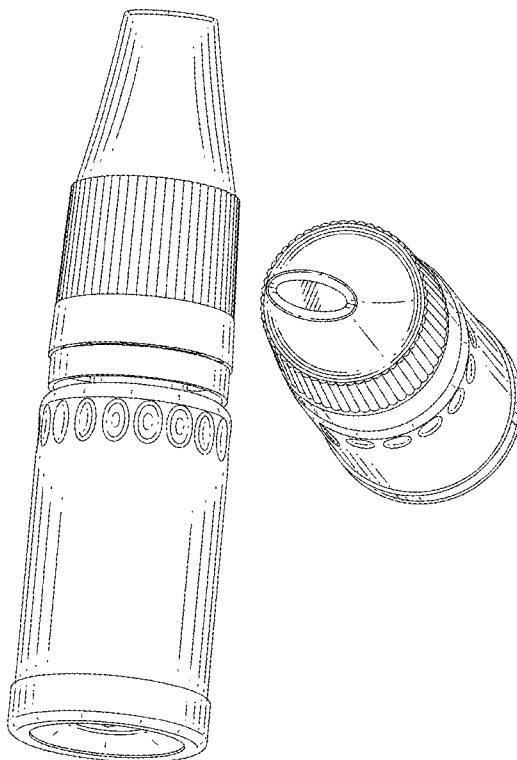
(57) **CLAIM**

The ornamental design for an electronic vaporized refilling liquid bottle, as shown and described.

**DESCRIPTION**

FIG. 1 is a front elevational view of an electronic vaporized refilling liquid bottle showing my new design; FIG. 2 is a rear elevational view thereof; FIG. 3 is a left side elevational view thereof; FIG. 4 is a top plan view thereof; FIG. 5 is a bottom plan view thereof; FIG. 6 is a front side perspective view thereof; and, FIG. 7 is a top side perspective view thereof. A right side elevational view is symmetric to the left side elevational view.

**1 Claim, 6 Drawing Sheets**



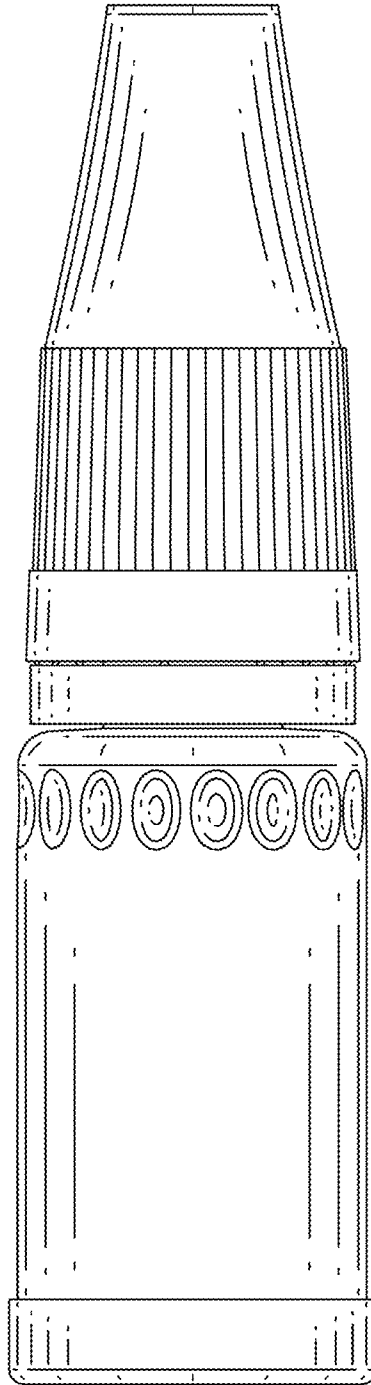


FIG. 1

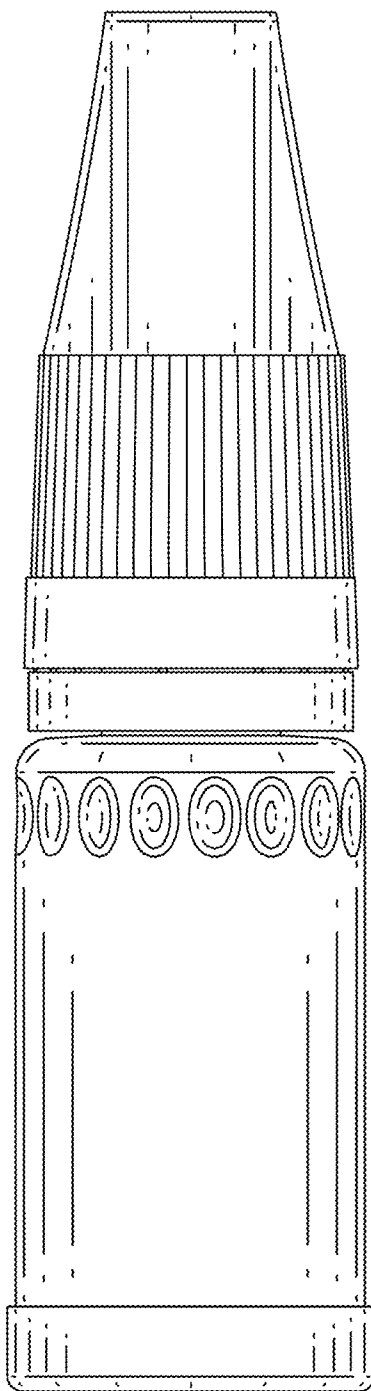


FIG.2

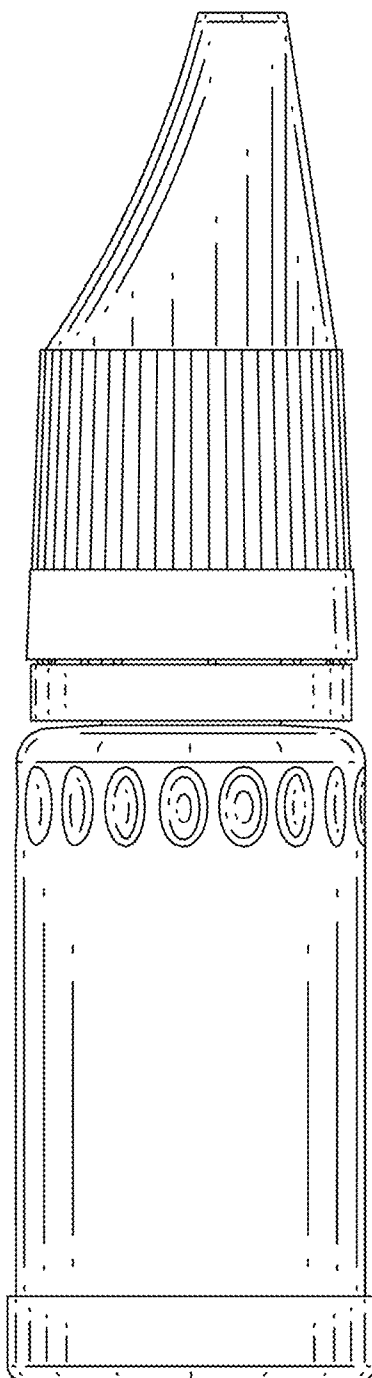


FIG.3

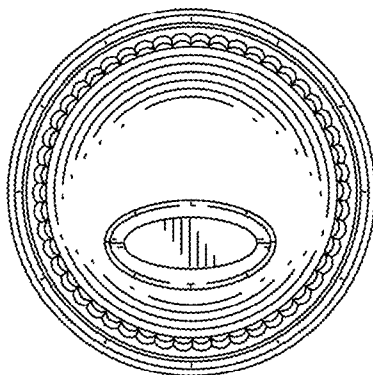


FIG. 4

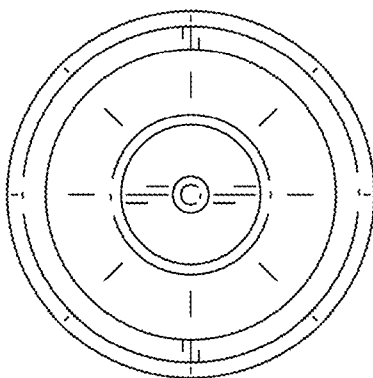


FIG. 5

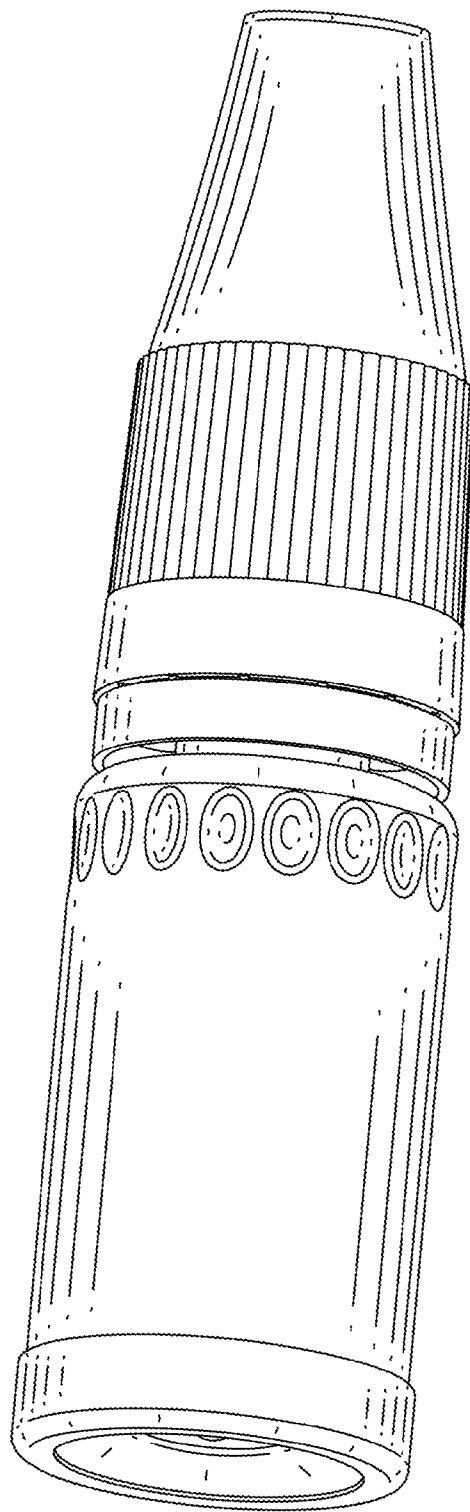


FIG.6

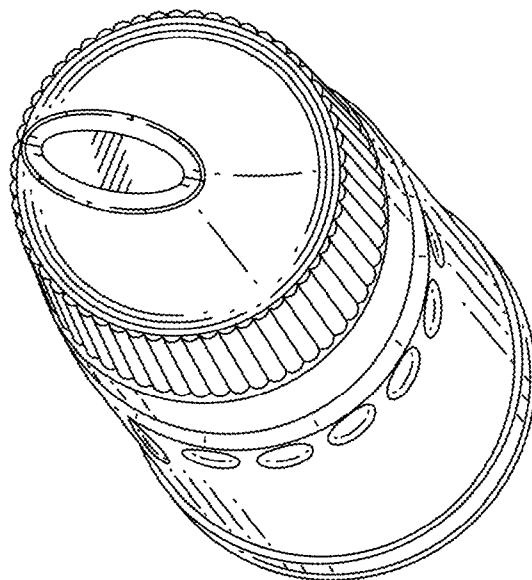


FIG.7