



(12) **United States Design Patent**
Sabatino et al.

(10) **Patent No.:** **US D817,918 S**
(45) **Date of Patent:** **** May 15, 2018**

(54) **COMBINED RADIO AND POWER POLE WITH PIER**

FOREIGN PATENT DOCUMENTS

WO 9853522 11/1998

(71) Applicant: **Sabre Industries Inc.**, Alvarado, TX (US)

OTHER PUBLICATIONS

(72) Inventors: **Anthony Sabatino**, Lenexa, KS (US); **Lance Norrell**, Venus, TX (US)

Notification of Transmittal of the International Search Report and The Written Opinion of the International Searching Authority—dated May 1, 2017.

(73) Assignee: **Sabre Industries Inc.**, Alvarado, TX (US)

Primary Examiner — Keli L Hill

(**) Term: **15 Years**

(74) *Attorney, Agent, or Firm* — Ryan T. Grace; Advent, LLP

(21) Appl. No.: **29/603,845**

(57) **CLAIM**

(22) Filed: **May 12, 2017**

The ornamental design for a combined radio and power pole with pier, as shown and described.

Related U.S. Application Data

DESCRIPTION

(63) Continuation of application No. 29/552,912, filed on Jan. 27, 2016, now Pat. No. Des. 788,065.

FIG. 1 is a front elevation view of a combined radio and power pole with pier, embodying my new design; FIG. 2 is a rear elevation view thereof; FIG. 3 is a left side elevation view thereof; FIG. 4 is a right side elevation view thereof; FIG. 5 is a top plan view thereof; FIG. 6 is a bottom plan view thereof; FIG. 7 is an isometric view thereof; and, FIG. 8 is another isometric view thereof.

(51) **LOC (11) Cl.** **14-03**
(52) **U.S. Cl.**
USPC **D14/188**; D13/139.4; D14/213; D25/126

The combined radio and power pole with pier is shown with symbolic break in its length in the FIGS. 1-4 and FIGS. 7-8 drawing views. It is understood that patentability is based only on those portions of the article that are shown in solid lines, and the appearance of any portion of the article between the break lines forms no part of the claimed design. Portions of FIGS. 1 through 8 are shown in broken and dash-dot-dot-dash 3 lines illustrating portions of the article and environmental subject matter that form no part of the claimed design.

(58) **Field of Classification Search**
USPC ... D14/140, 140.1, 140.2, 140.5, 140.6, 162, D14/167-169, 175, 179, 188, 194-198, D14/204, 210-217, 240, 257, 265, 299, D14/496; D13/102, 139.2, 139.4, 139.5, D13/184; D25/125, 126, 129, 132
(Continued)

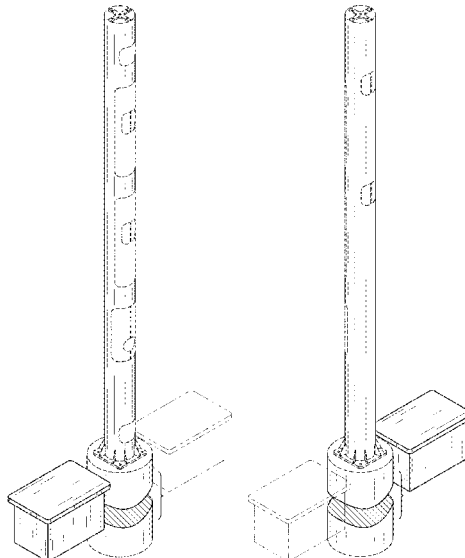
(56) **References Cited**

U.S. PATENT DOCUMENTS

1,521,285 A * 12/1924 Erickson E04H 12/2292
52/170
1,579,965 A * 4/1926 Stobie E04H 12/08
52/834

(Continued)

1 Claim, 7 Drawing Sheets



US D817,918 S

Page 2

(58) **Field of Classification Search**

CPC H04M 1/67; H04M 2250/12; H04N 7/15;
G06K 9/00013; G06K 9/00026; G06K
9/00919; G08B 13/1427; G08B 21/023;
E04H 12/08; E04H 12/12; E04H 12/2292
See application file for complete search history.

(56) **References Cited**

U.S. PATENT DOCUMENTS

1,816,966 A * 8/1931 Gray A01G 3/08
30/390
1,992,057 A * 2/1935 Coolidge B27K 3/08
144/24.1
3,369,331 A * 2/1968 Deskey E04H 12/003
248/219.2
D244,465 S * 5/1977 Stoneman D13/139.4
D260,184 S * 8/1981 Whatley D25/129
D349,580 S * 8/1994 Sieler D25/126

D517,483 S * 3/2006 Nipke D13/139.2
7,755,561 B2 7/2010 Slattery
D636,379 S * 4/2011 Kim D14/211
D695,424 S * 12/2013 Dionne D25/126
9,253,556 B1 2/2016 Pounds et al.
9,281,556 B2 3/2016 Slattery
D788,062 S * 5/2017 Norrell D13/139.4
D788,063 S * 5/2017 Norrell D13/139.4
D788,064 S * 5/2017 Norrell D13/139.4
D788,065 S * 5/2017 Sabatino D13/139.4
D794,619 S * 8/2017 Kim D14/239
D795,465 S * 8/2017 Deffense D25/126
2004/0080461 A1* 4/2004 Rothgeb H01Q 1/424
343/720
2005/0264465 A1 12/2005 Baker
2005/0285011 A1 12/2005 Harwood
2011/0085322 A1 4/2011 Myer
2012/0256810 A1 10/2012 Caldwell et al.
2016/0215518 A1* 7/2016 Villman E04H 12/12
2017/0214115 A1* 7/2017 Norrell H01Q 1/1242

* cited by examiner

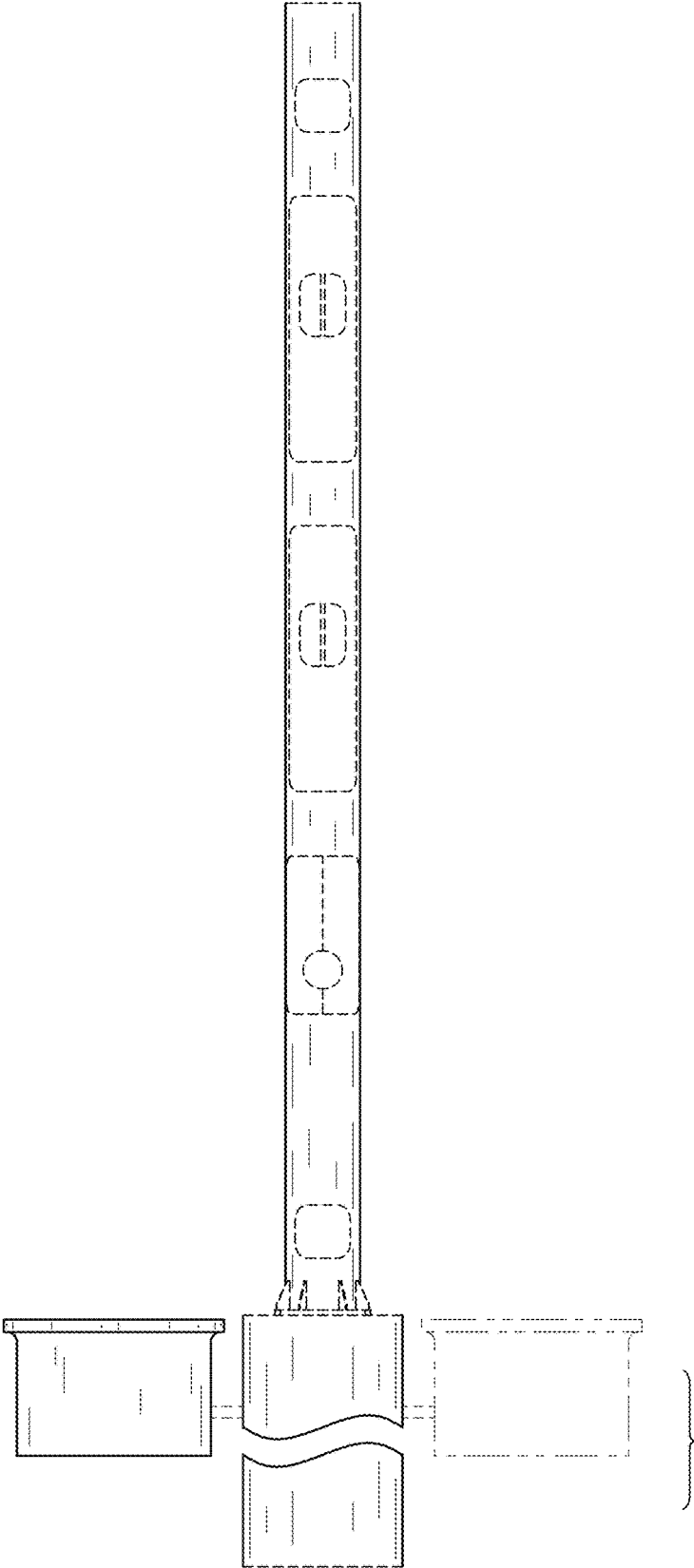


FIG. 1

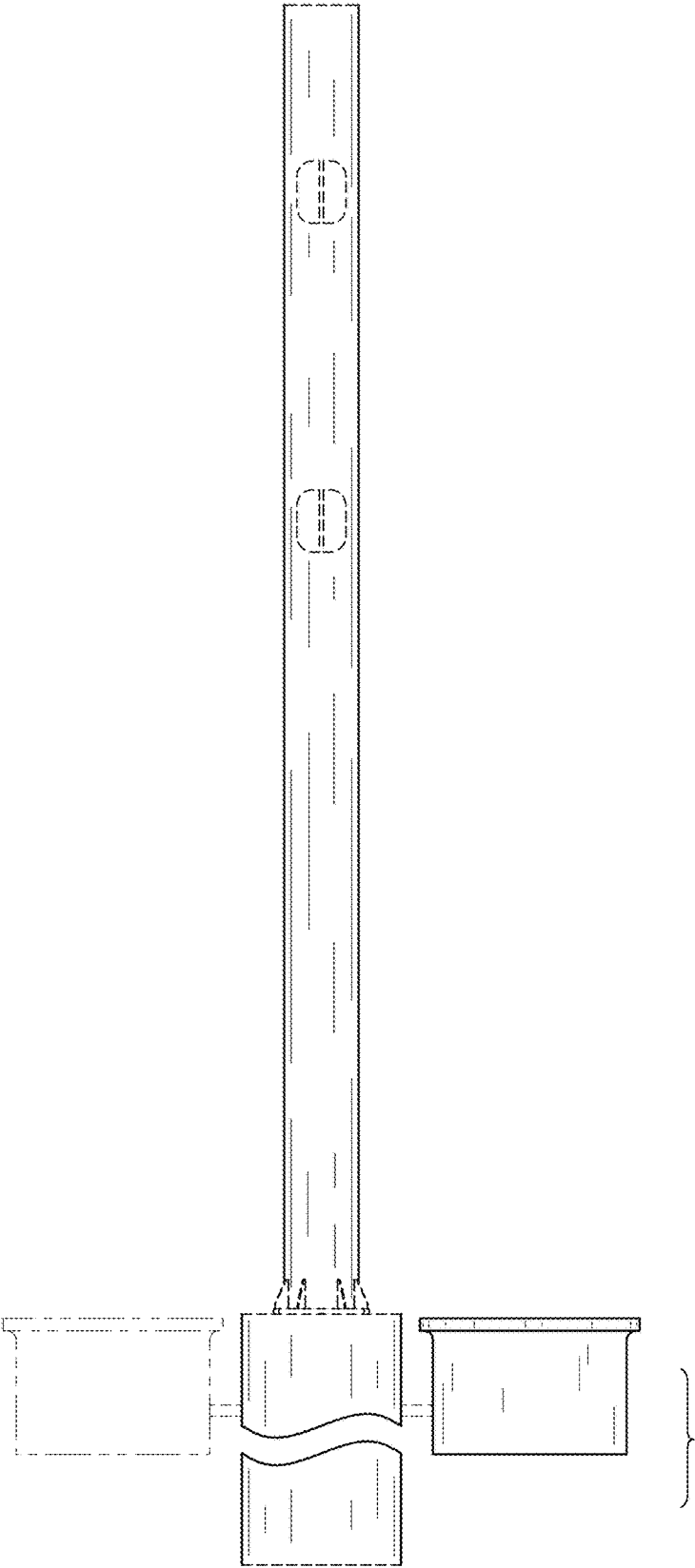


FIG. 2

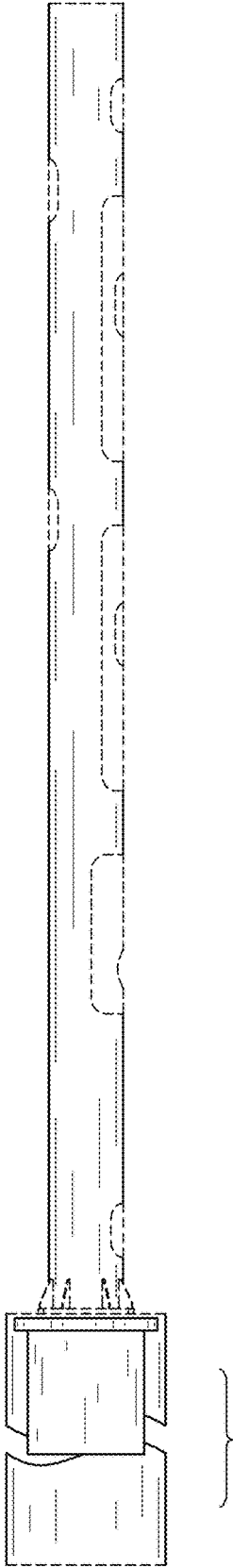


FIG. 3

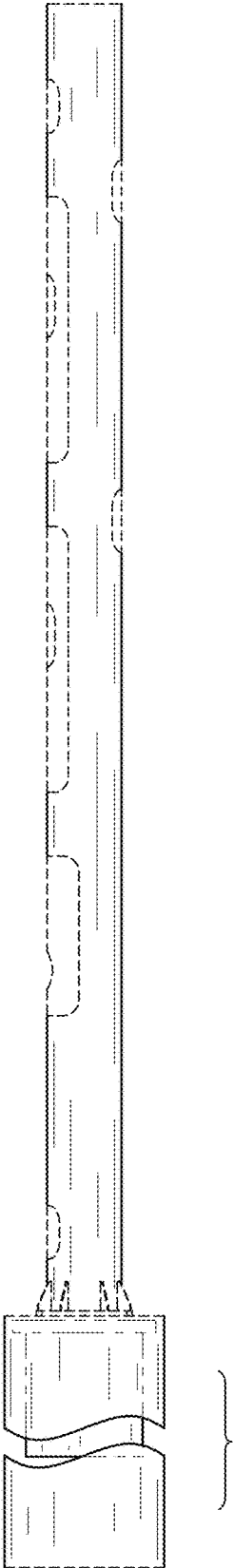


FIG. 4

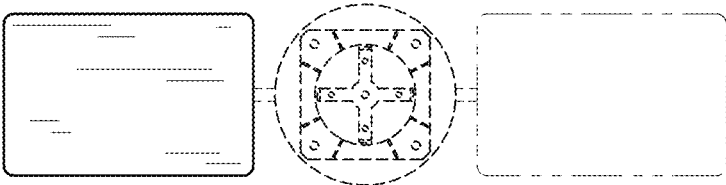


FIG. 5

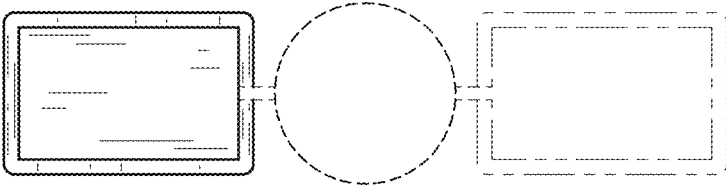


FIG. 6

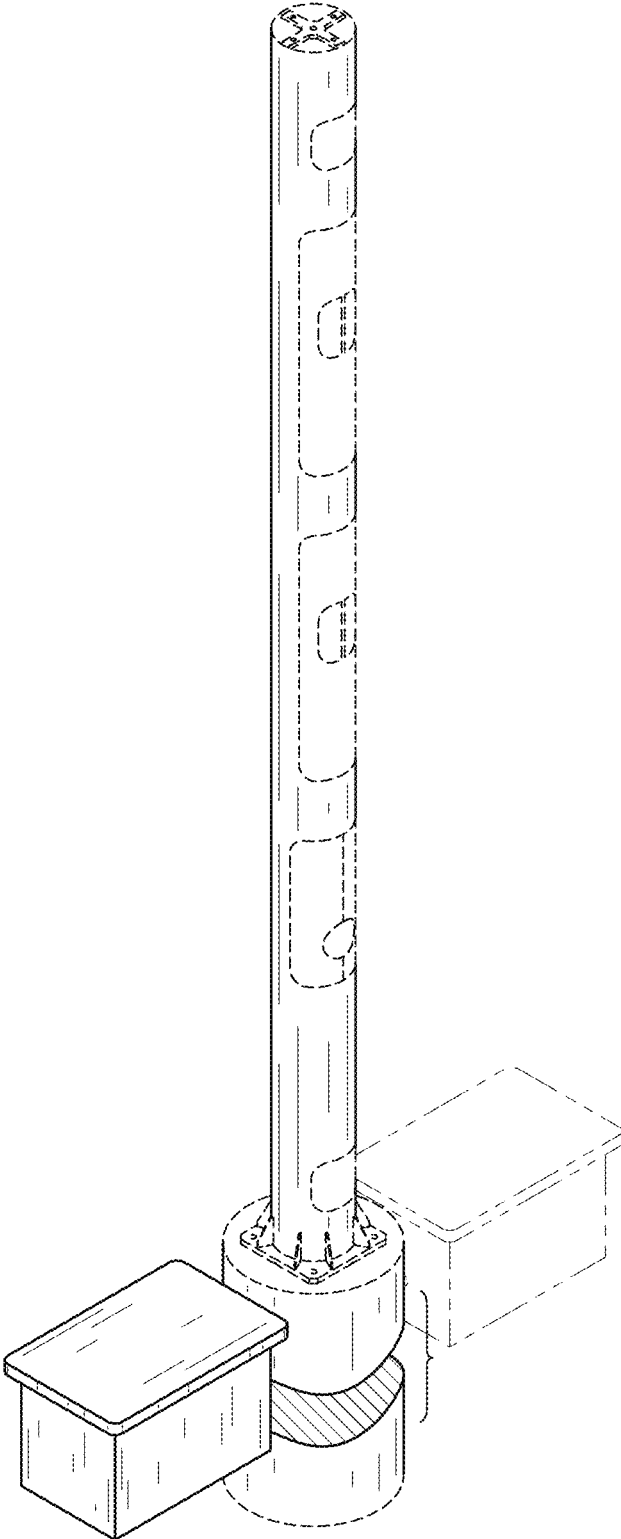


FIG. 7

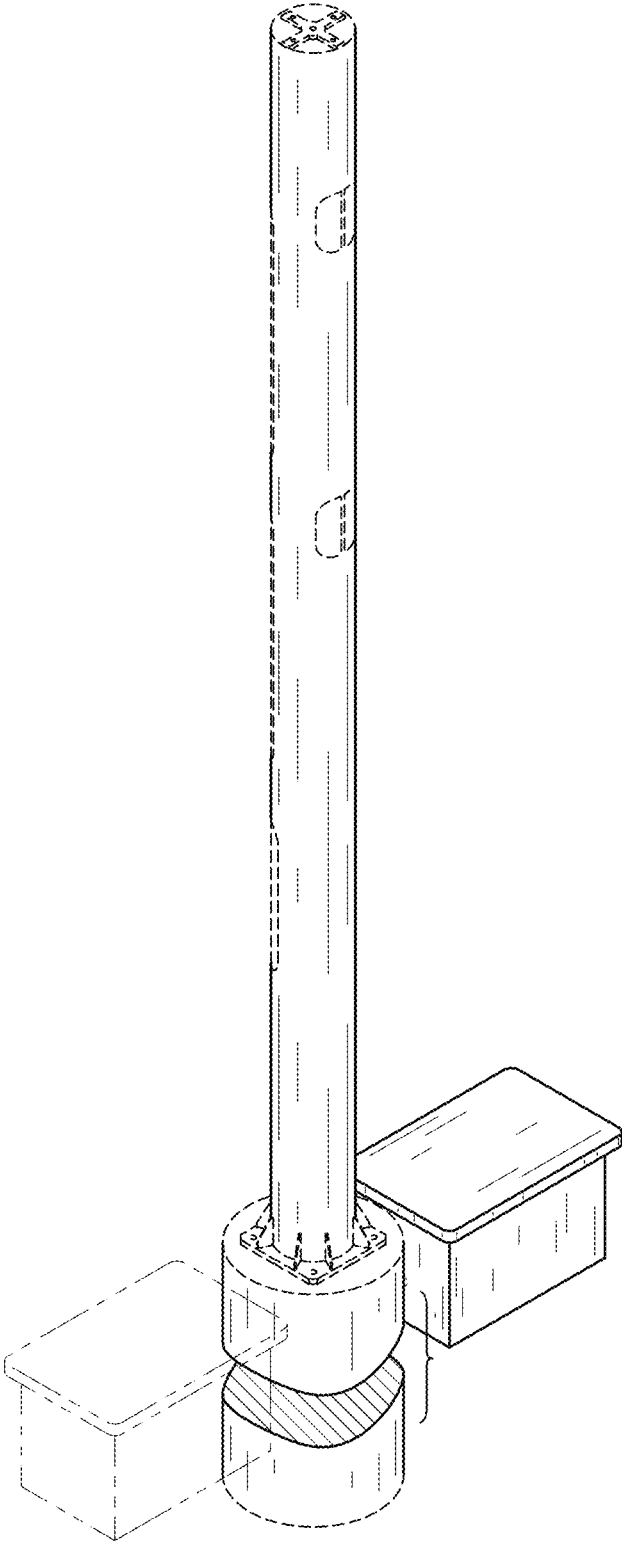


FIG. 8