



US00D473788S

(12) **United States Design Patent** (10) **Patent No.:** **US D473,788 S**
Chen et al. (45) **Date of Patent:** **** Apr. 29, 2003**

(54) **CONTAINER**

(75) Inventors: **Jeffrey Chen**, Woodbury, NY (US);
Corey Chen, Brooklyn, NY (US)

(73) Assignee: **Newspring Industrial Corp.**, Kearny,
NJ (US)

(**) Term: **14 Years**

(21) Appl. No.: **29/160,082**

(22) Filed: **May 2, 2002**

(51) **LOC (7) Cl.** **09-03**

(52) **U.S. Cl.** **D9/428; D9/429; D9/425**

(58) **Field of Search** **D9/428, 429, 431,**
D9/424, 425; D7/530, 531, 608; 206/499,
508, 557; 229/400-406, 932; 220/656-659,
669-675, 912

(56) **References Cited**

U.S. PATENT DOCUMENTS

D202,507 S * 10/1965 Shelby D9/429
4,108,347 A * 8/1978 Amberg 229/400

4,446,969 A * 5/1984 Tyler 229/400
D279,168 S * 6/1985 Goldsmith D9/429
D454,304 S * 3/2002 Kim et al. D9/429

* cited by examiner

Primary Examiner—Prabhakar Deshmukh

(74) *Attorney, Agent, or Firm*—Gibbons, Del Deo, Dolan,
Griffinger & Vecchione

(57) **CLAIM**

We claim the ornamental design for the container, as shown.

DESCRIPTION

FIG. 1 is a perspective exploded view of a container including a base and lid revealing the inside of the base and the underside of the lid;

FIG. 2 is a front view of the container base and lid;

FIG. 3 is a top plan view of the lid;

FIG. 4 is a bottom plan view of the lid;

FIG. 5 is a top plan view of the container;

FIG. 6 is a bottom plan view of the container;

FIG. 7 is a front view of the lid; and,

FIG. 8 is a front view of the container.

1 Claim, 5 Drawing Sheets

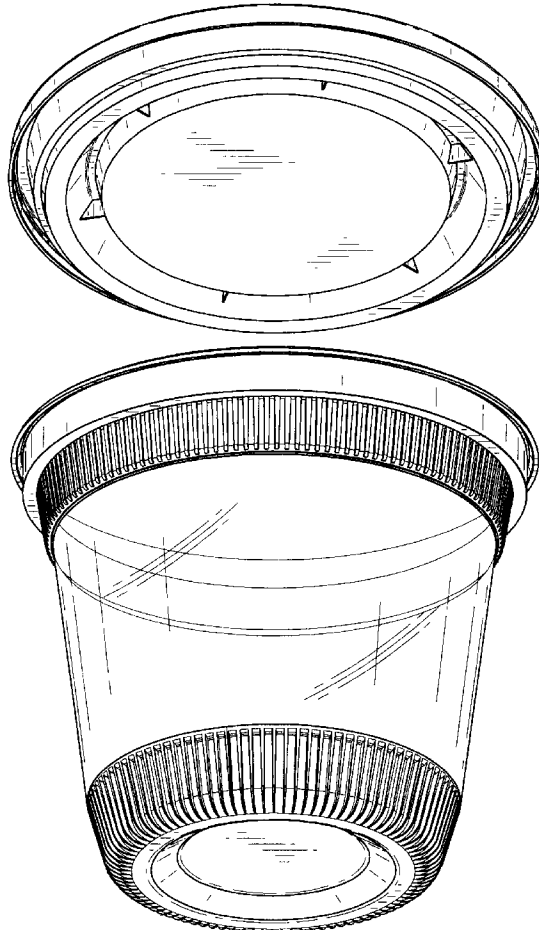


FIG. 1

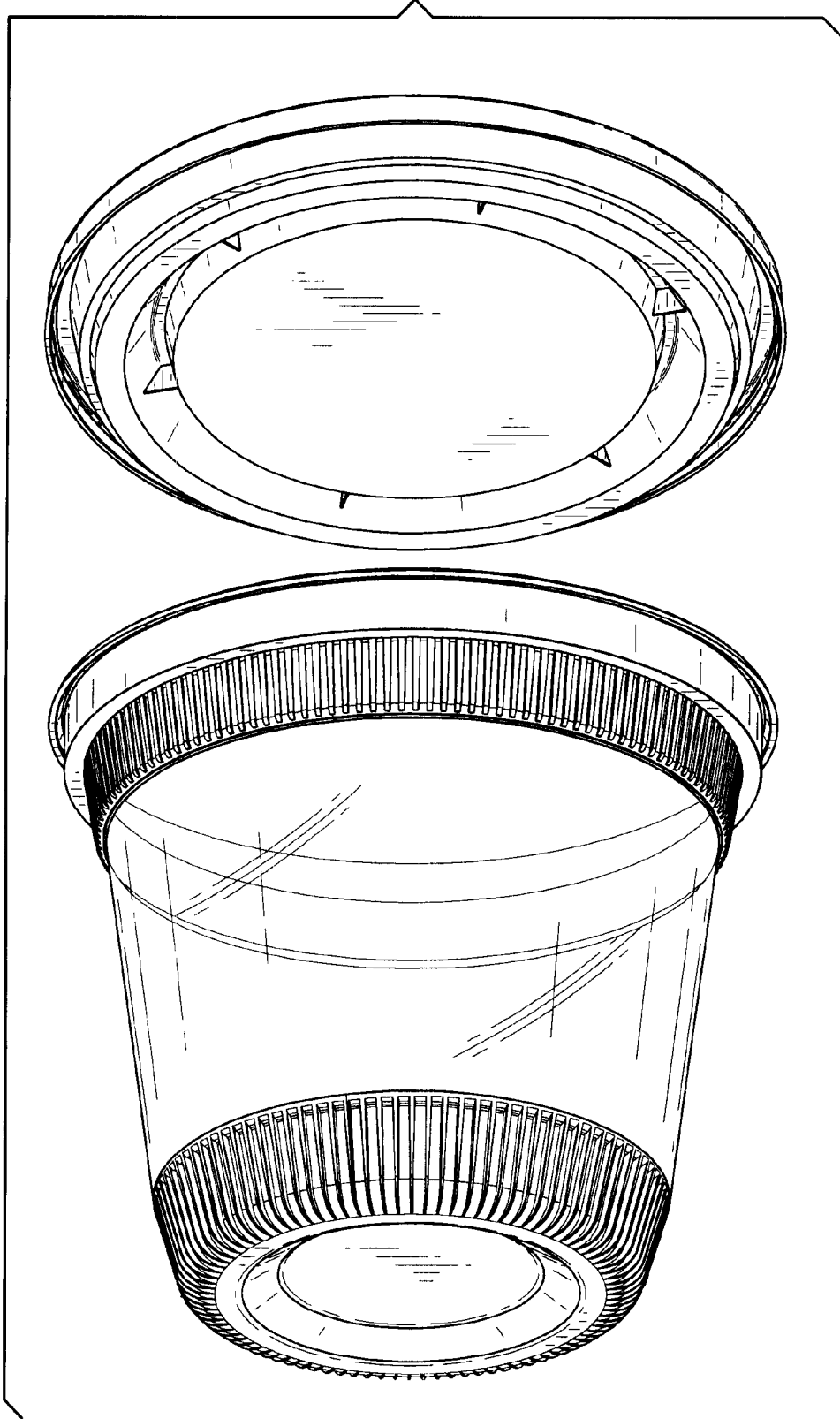


FIG. 2

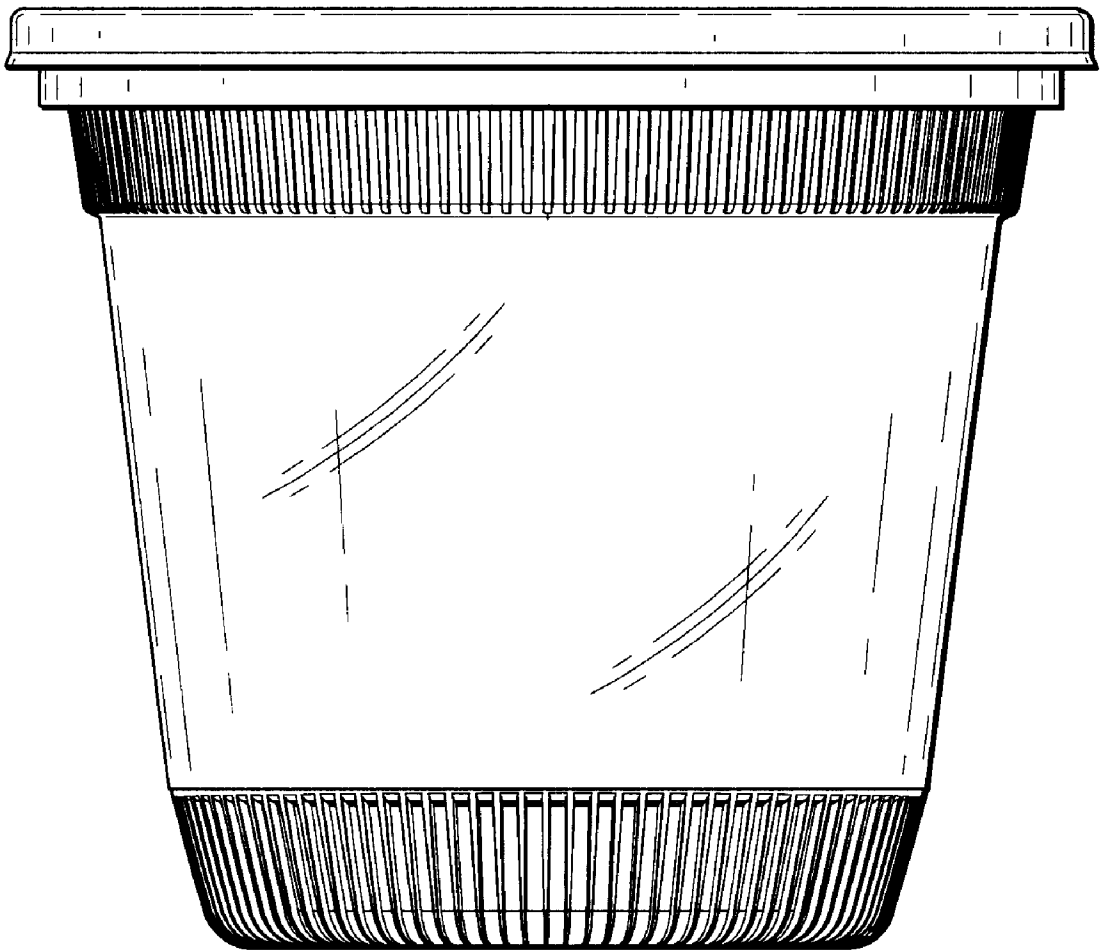


FIG. 3

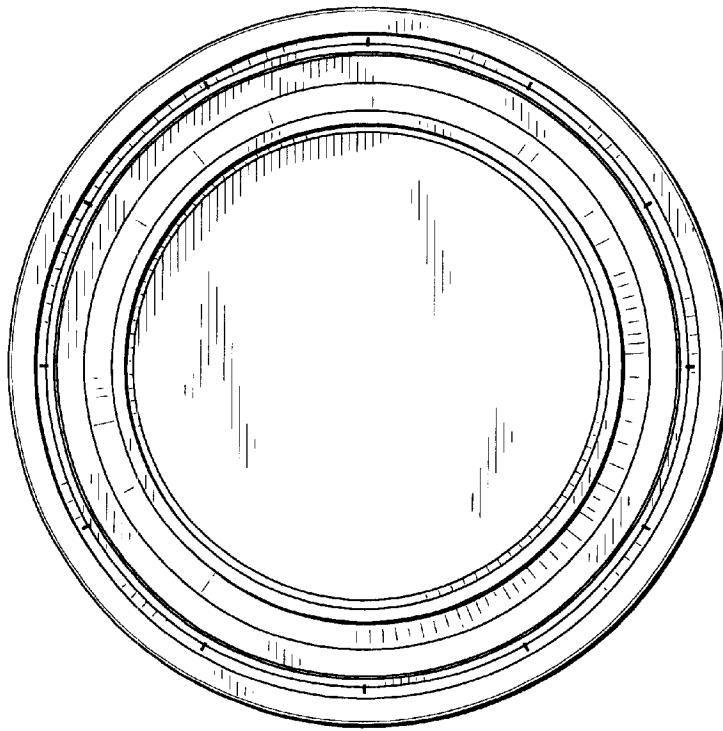


FIG. 4

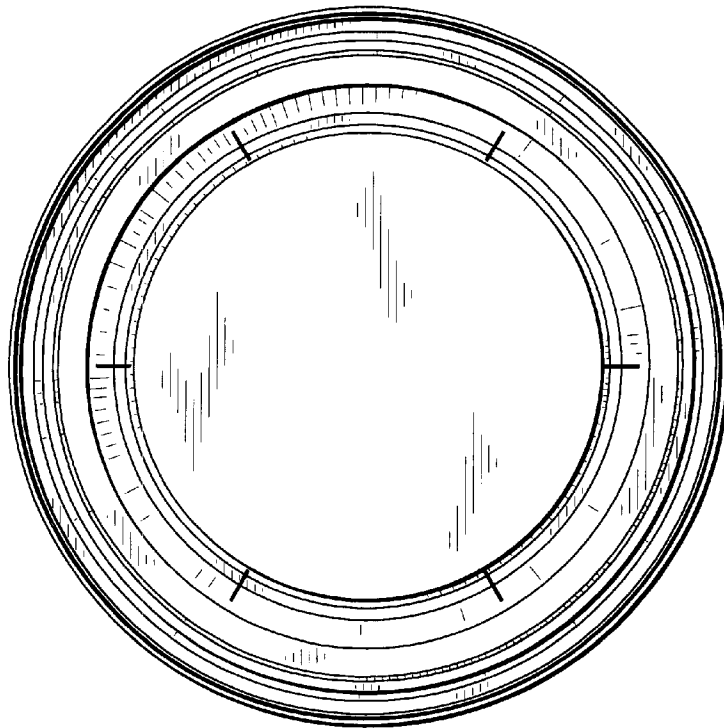


FIG. 5

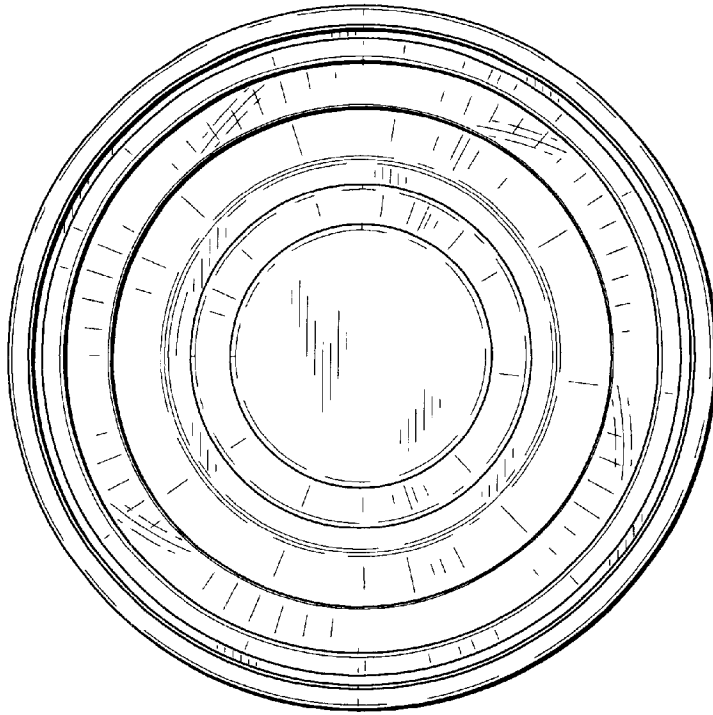


FIG. 6

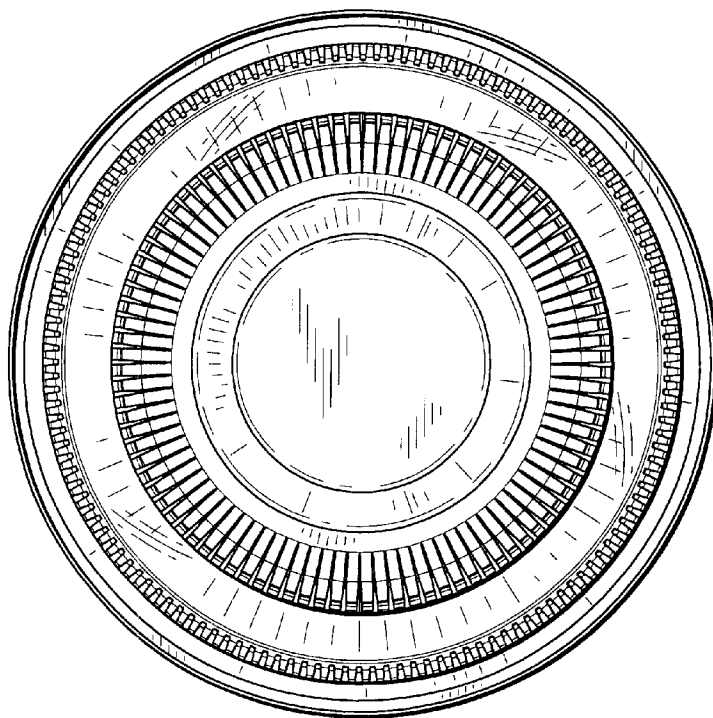


FIG. 7

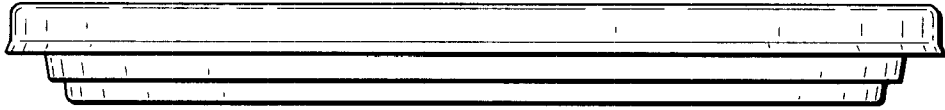


FIG. 8

