



US00D783820S

(12) **United States Design Patent**  
**Contreras-Vidal et al.**

(10) **Patent No.:** **US D783,820 S**  
(45) **Date of Patent:** **\*\* Apr. 11, 2017**

- (54) **FINGER TIP SHAPED ENCLOSURE**
- (71) Applicants: **José Luis Contreras-Vidal**, Houston, TX (US); **Andrew Paek**, Burtonsville, MD (US)
- (72) Inventors: **José Luis Contreras-Vidal**, Houston, TX (US); **Andrew Paek**, Burtonsville, MD (US)
- (73) Assignee: **UNIVERSITY OF HOUSTON SYSTEM**, Houston, TX (US)

- 2010/0139418 A1\* 6/2010 Loeb ..... G01L 5/228  
73/862.046
- 2011/0054636 A1\* 3/2011 Gill ..... A61F 2/583  
623/57
- 2012/0303136 A1\* 11/2012 Macduff ..... A61F 2/586  
623/63
- 2013/0041476 A1\* 2/2013 Schulz ..... A61F 2/586  
623/24

(Continued)

*Primary Examiner* — Charles Hanson

(74) *Attorney, Agent, or Firm* — Winstead PC

(\*\*) Term: **14 Years**

(57) **CLAIM**

We claim the ornamental design for a finger tip shaped enclosure, as shown and described.

(21) Appl. No.: **29/520,814**

(22) Filed: **Mar. 18, 2015**

**DESCRIPTION**

(51) **LOC (10) Cl.** ..... **24-02**

(52) **U.S. Cl.**  
USPC ..... **D24/155**

(58) **Field of Classification Search**  
USPC ..... D24/155  
CPC .. A61F 2/583; A61F 2/586; A61F 2/68; A61F 2002/701; A61F 2002/704; A61F 2002/587; A61F 2002/7635; A61F 2002/6827; A61F 2002/5061; A61F 5/013  
See application file for complete search history.

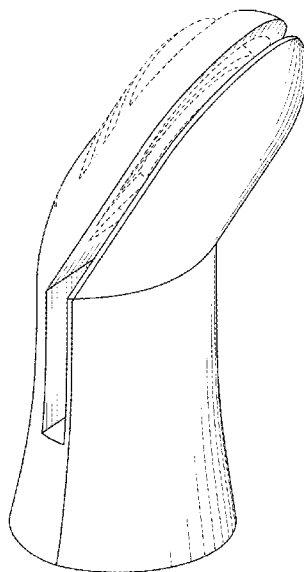
This invention was made with government support under Grant No. IIS-1219231 from the National Science Foundation. The government has certain rights in the invention. FIG. 1 shows a perspective view of a finger tip shaped enclosure; FIG. 2 shows a front view of a finger tip shaped enclosure; FIG. 3 shows a back view of a finger tip shaped enclosure; FIG. 4 shows a right side view of a finger tip shaped enclosure; FIG. 5 shows a left side view of a finger tip shaped enclosure; FIG. 6 shows a top view of a finger tip shaped enclosure; and, FIG. 7 shows a bottom view of a finger tip shaped enclosure. The broken line showing of a finger tip shaped enclosure is for the purpose of illustrating portions of the enclosure and forms no part of the claimed design. The dotted lines on the surface portions indicate contour and not surface decoration.

(56) **References Cited**

**U.S. PATENT DOCUMENTS**

- D718,311 S \* 11/2014 Burke ..... D14/411
- 2005/0043822 A1\* 2/2005 Didrick ..... A61F 2/586  
623/64
- 2009/0078478 A1\* 3/2009 Newman ..... G06F 3/03545  
178/19.01
- 2009/0272201 A1\* 11/2009 Loeb ..... G01L 5/228  
73/862.041

**1 Claim, 3 Drawing Sheets**



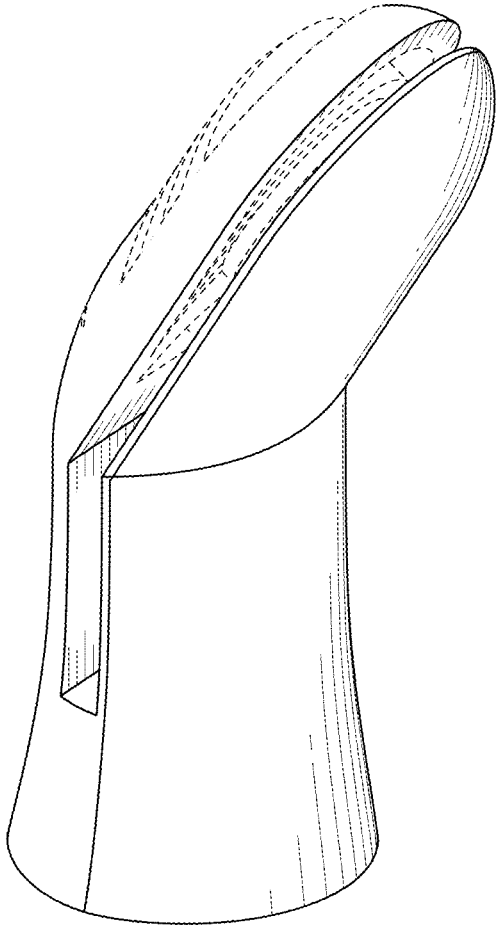
(56)

**References Cited**

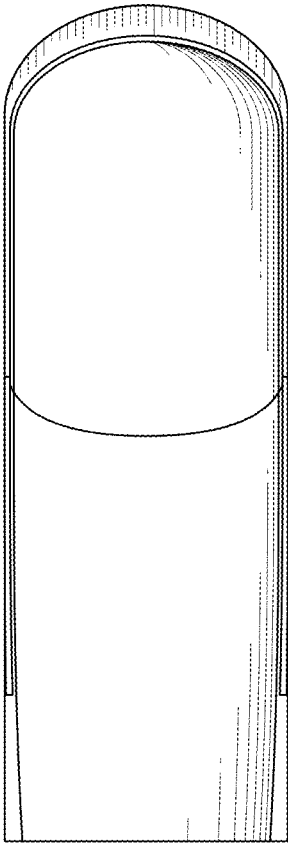
U.S. PATENT DOCUMENTS

2014/0114439	A1*	4/2014	Iversen .....	A61F 2/586 623/64
2014/0303750	A1*	10/2014	MacDuff .....	A61F 2/4241 623/57
2014/0324189	A1*	10/2014	Gill .....	A61F 2/68 623/24
2016/0058519	A1*	3/2016	Herr .....	A61B 5/107 600/438

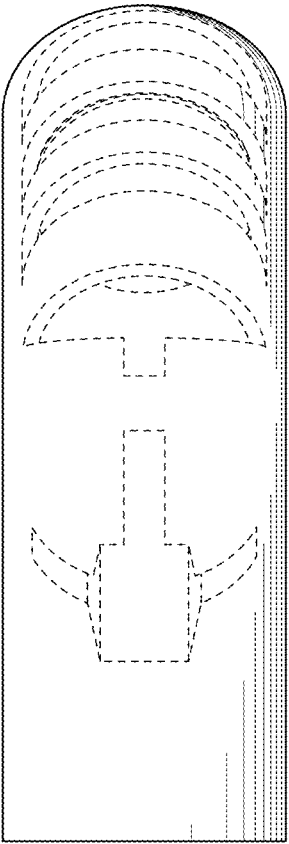
\* cited by examiner



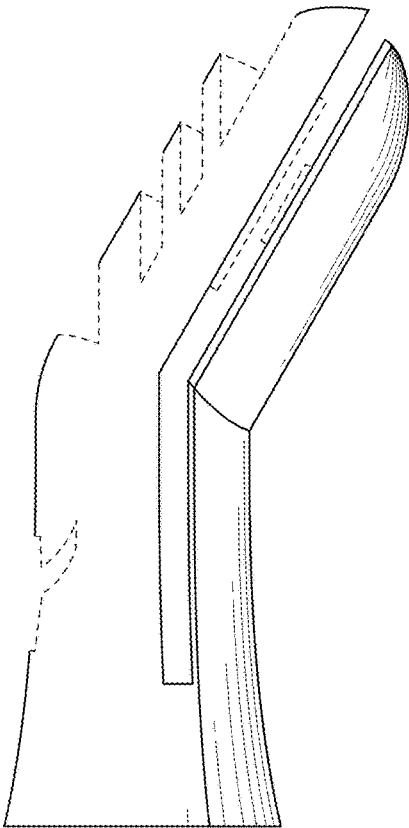
**FIG. 1**



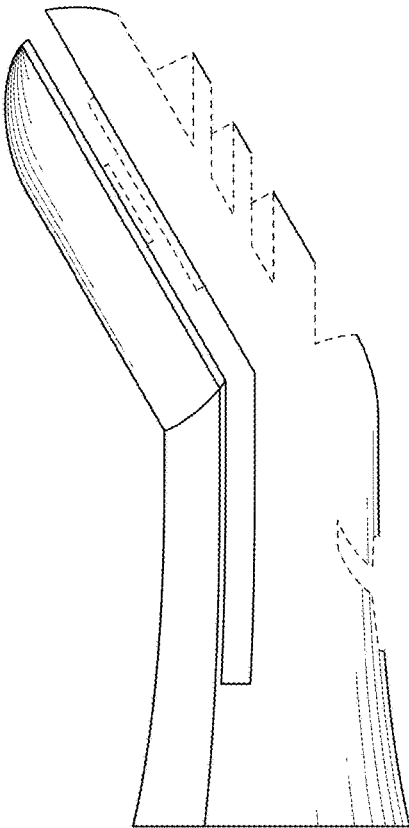
**FIG. 2**



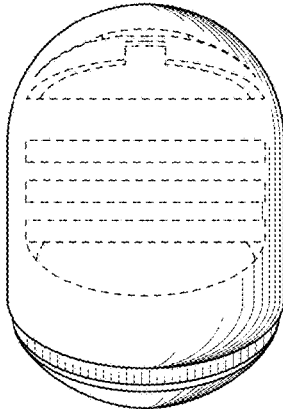
**FIG. 3**



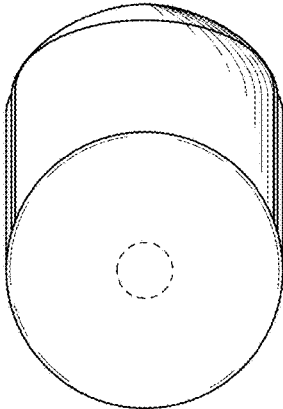
**FIG. 4**



**FIG. 5**



**FIG. 6**



**FIG. 7**