



US00D843264S

(12) **United States Design Patent**
Tosatto

(10) **Patent No.:** **US D843,264 S**
(45) **Date of Patent:** **** Mar. 19, 2019**

- (54) **TIE KNOT COVER**
- (71) Applicant: **Ferruccio Tosatto**, Grandson (CH)
- (72) Inventor: **Ferruccio Tosatto**, Grandson (CH)
- (**) Term: **15 Years**
- (21) Appl. No.: **35/503,274**
- (22) Filed: **Dec. 29, 2016**

- (80) **Hague Agreement Data**
 Int. Filing Date: **Dec. 29, 2016**
 Int. Reg. No.: **DM/094514**
 Int. Reg. Date: **Dec. 29, 2016**
 Int. Reg. Pub. Date: **Jun. 30, 2017**

- (51) **LOC (11) CL.** **02-07**
- (52) **U.S. CL.**
 USPC **D11/202; D2/609**
- (58) **Field of Classification Search**
 USPC D2/853, 602, 605-609; D11/202-205
 CPC A41D 25/022; A41D 25/025; A41D 25/02;
 A41D 25/10; A41D 25/08; A41D 25/14;
 A41D 25/003; A41D 25/027; A41D 25/12
 See application file for complete search history.

(56) **References Cited**

U.S. PATENT DOCUMENTS

2,316,002	A *	4/1943	Koivisto	A41D 25/022
					2/144
3,588,918	A *	6/1971	Thistle	A41D 25/022
					2/153
D280,572	S *	9/1985	Koppelmans	D11/204
5,008,981	A *	4/1991	Smithson	A41D 25/022
					24/115 G
5,010,593	A *	4/1991	Stevens, Jr.	A41D 25/022
					2/148
5,035,002	A *	7/1991	Knight, Jr.	A41D 25/022
					2/137
D364,723	S *	12/1995	Cox	D2/609
D383,887	S *	9/1997	Pehr	D2/609

D388,238	S *	12/1997	LaBorde	D2/609
D398,435	S *	9/1998	Gray	D2/605
5,864,882	A *	2/1999	Kowalyk	A41D 25/10
					2/148
D420,201	S *	2/2000	Azhar	D2/609
6,094,746	A *	8/2000	Miller	A41D 25/10
					2/138
6,367,127	B1 *	4/2002	Lee	A41D 25/025
					2/153
6,427,245	B1 *	8/2002	Alcala	A41D 25/022
					2/152.1
7,143,482	B2 *	12/2006	Sens-Grosholz	A41D 25/022
					24/66.3
D550,929	S *	9/2007	Cordonier	D2/600
D622,931	S *	9/2010	Jenkins	D2/609

(Continued)

OTHER PUBLICATIONS

Hoodtie, [online], [site visited Sep. 18, 2018]. Available from internet, <URL: <https://hoodtie.com/en/>>.*

Primary Examiner — Jennifer L Watkins
(74) *Attorney, Agent, or Firm* — Taft Stettinius & Hollister LLP

(57) **CLAIM**

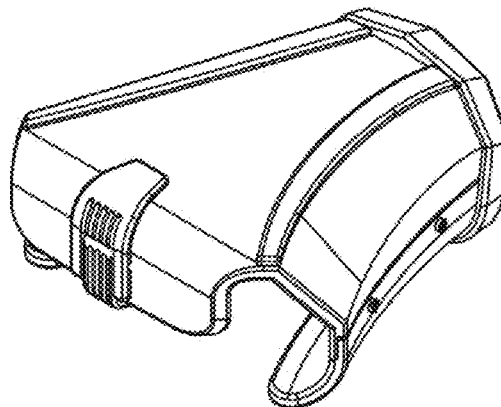
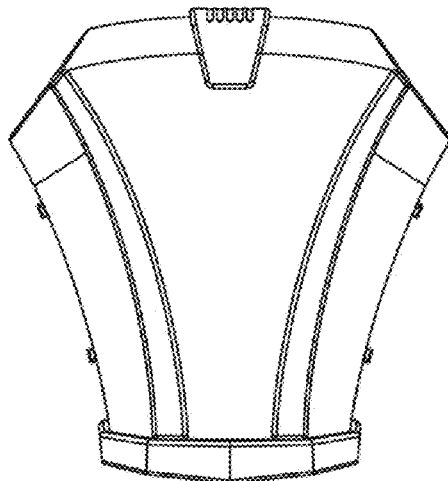
The ornamental design for a tie knot cover, as shown and described.

DESCRIPTION

- 2. Tie knot cover
- 2.1 : Top
- 2.2 : Bottom
- 2.3 : Front
- 2.4 : Left
- 2.5 : Right
- 2.6 : Perspective
- 2.7 : Perspective

The broken lines in the figures are for the purpose of depicting portions of the tie knot cover that form no part of the claim.

1 Claim, 7 Drawing Sheets



(56)

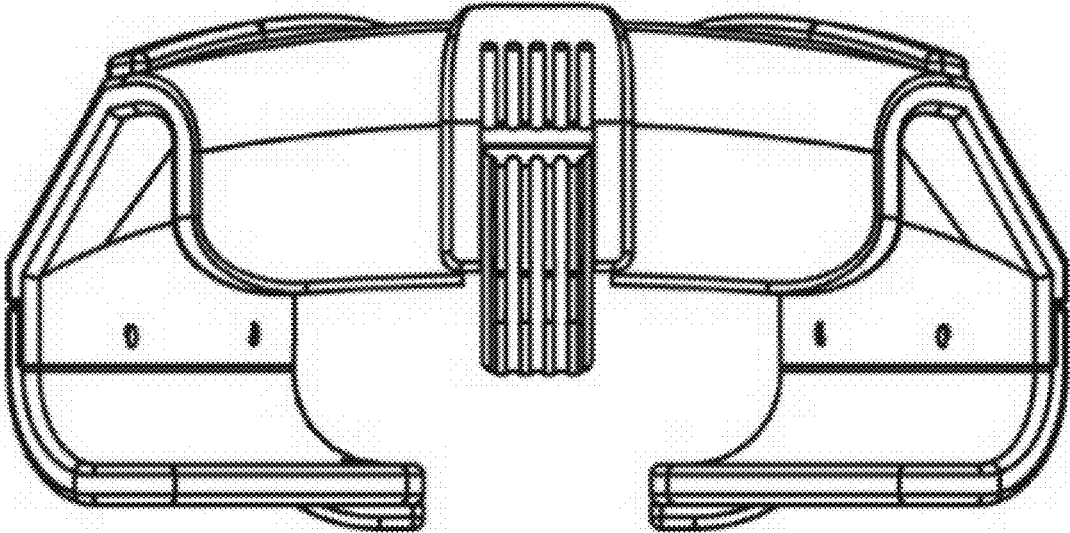
References Cited

U.S. PATENT DOCUMENTS

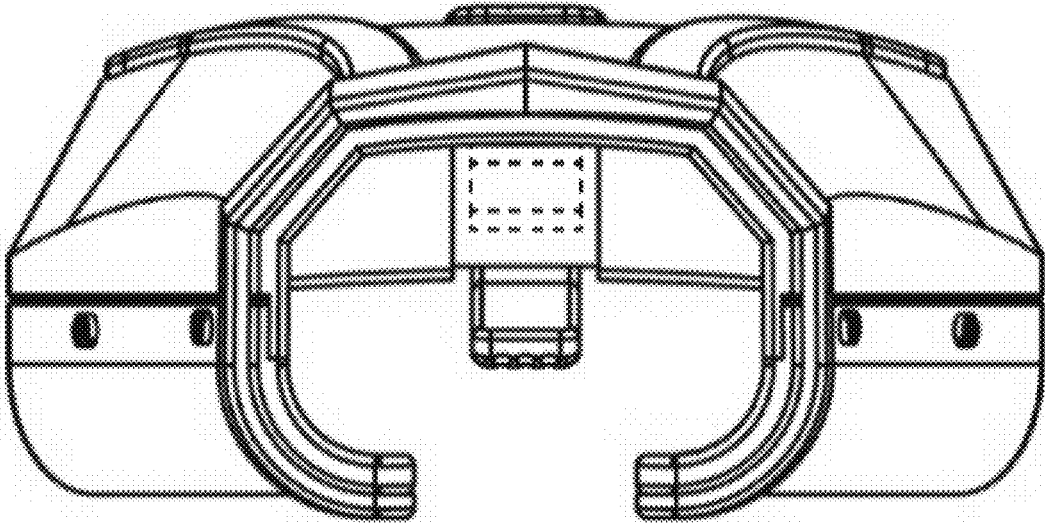
D662,691 S * 7/2012 Jeter, Jr. A43B 3/0078
D2/853
D663,916 S * 7/2012 Bracey D2/605
D732,278 S * 6/2015 Dwamena D2/853
D744,194 S * 12/2015 Speer D2/609
D776,001 S * 1/2017 Jones D11/202
D787,776 S * 5/2017 Lewis D2/609
9,781,961 B2 * 10/2017 Erickson A41D 25/027
D805,270 S * 12/2017 Lucero D2/609
D812,842 S * 3/2018 Lucero D2/609
2005/0120461 A1 * 6/2005 Dickens A41D 25/022
2/144
2014/0283278 A1 * 9/2014 Jordan A41D 25/02
2/145
2015/0223531 A1 * 8/2015 Granados A41D 25/025
2/152.1

* cited by examiner

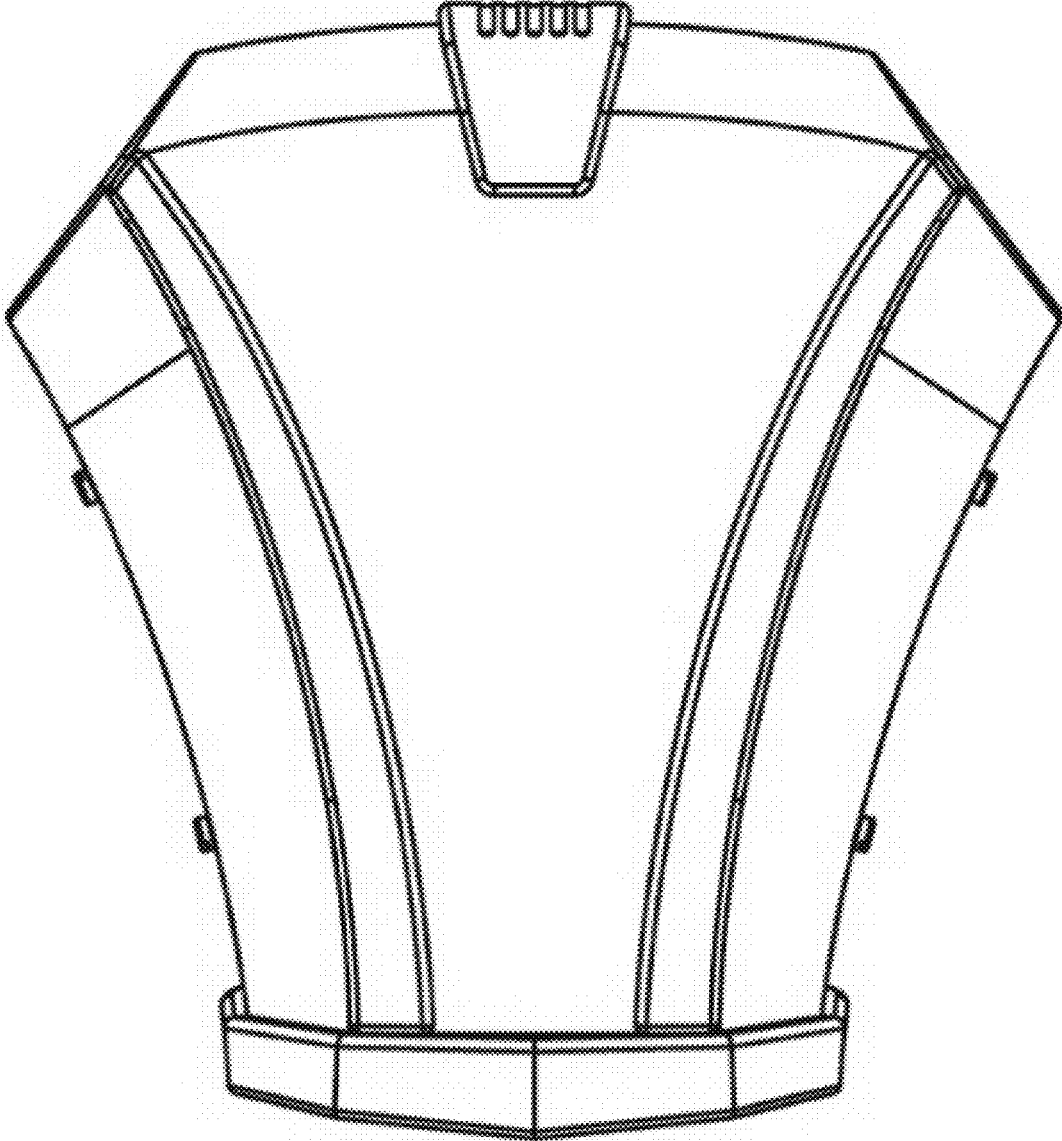
2.1



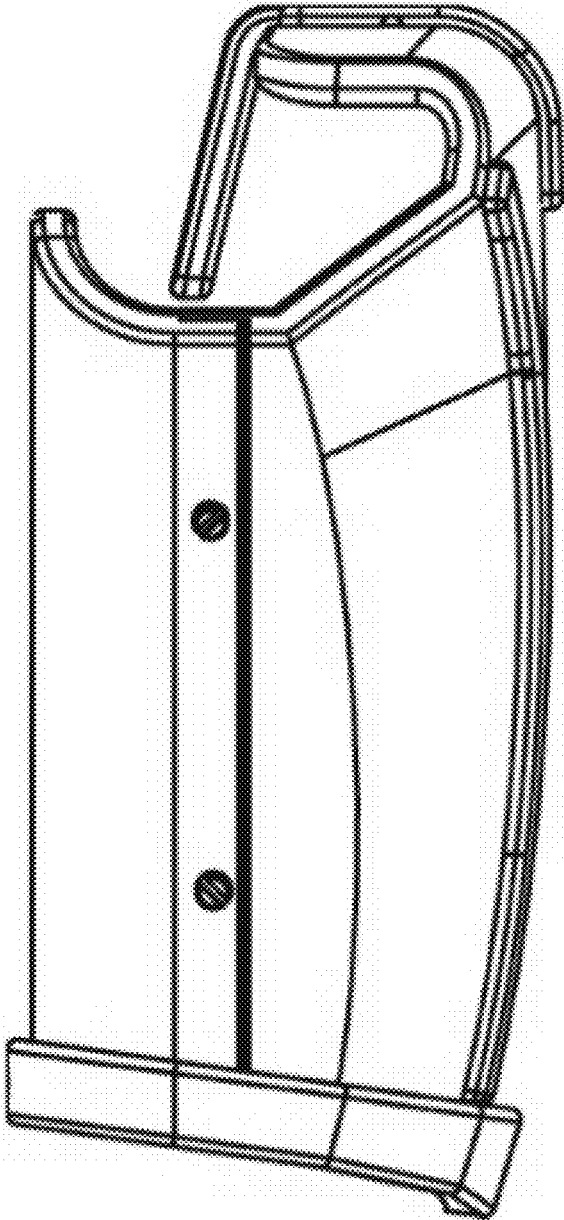
2.2



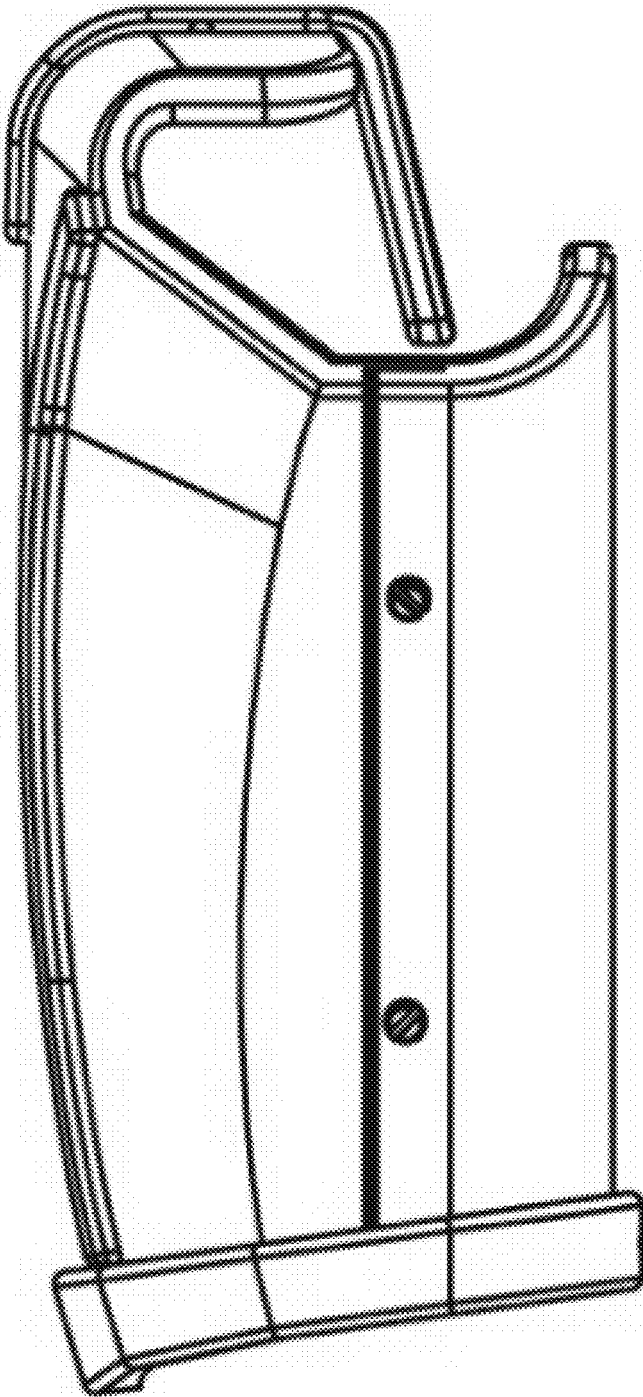
2.3



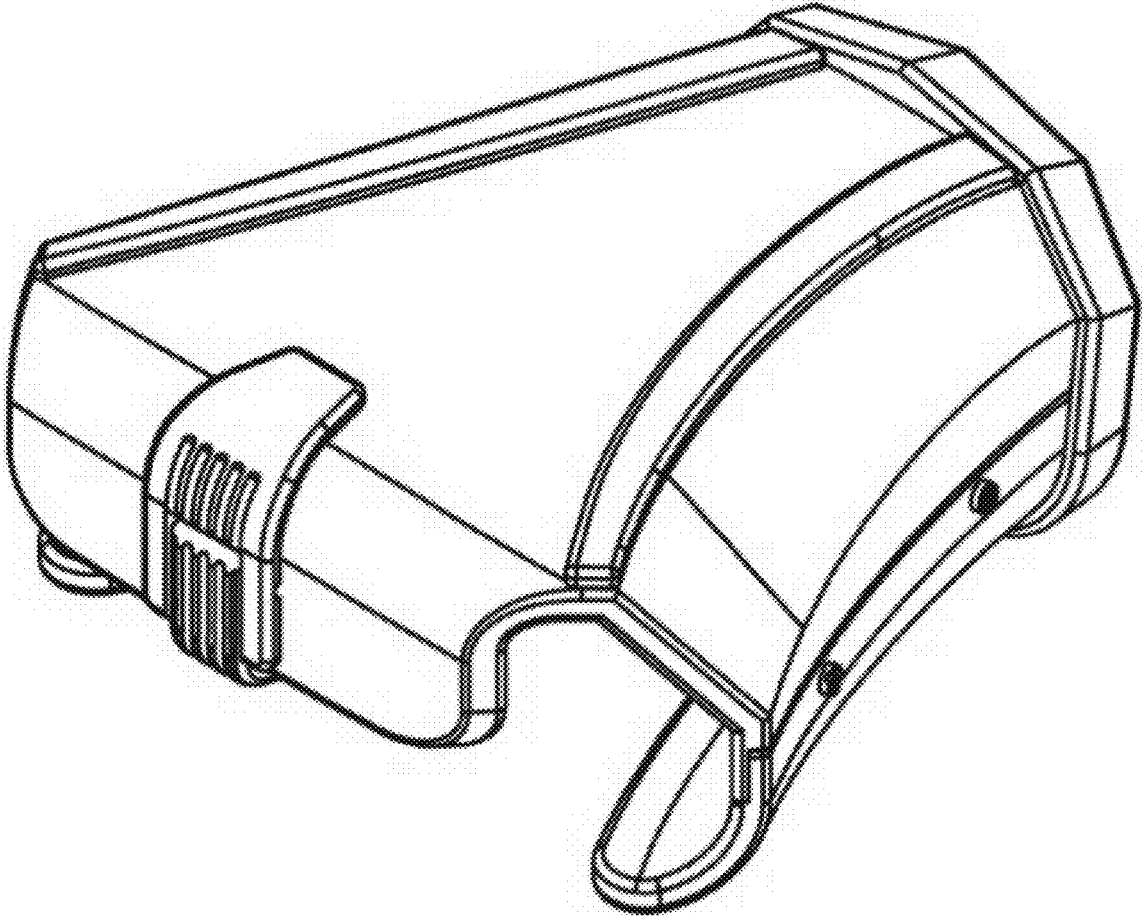
2.4



2.5



2.6



2.7

