

(19) World Intellectual Property Organization  
International Bureau



(43) International Publication Date  
16 March 2006 (16.03.2006)

PCT

(10) International Publication Number  
**WO 2006/028660 A3**

- (51) International Patent Classification:  
G06F 1/32 (2006.01)
- (21) International Application Number:  
PCT/US2005/028958
- (22) International Filing Date: 12 August 2005 (12.08.2005)
- (25) Filing Language: English
- (26) Publication Language: English
- (30) Priority Data:  
10/933,886 3 September 2004 (03.09.2004) US
- (71) Applicant (for all designated States except US): INTEL CORPORATION [US/US]; 2200 Mission College Boulevard, Santa Clara, CA 95052 (US).

AT, AU, AZ, BA, BB, BG, BR, BW, BY, BZ, CA, CH, CN, CO, CR, CU, CZ, DE, DK, DM, DZ, EC, EE, EG, ES, FI, GB, GD, GE, GH, GM, HR, HU, ID, IL, IN, IS, JP, KE, KG, KM, KP, KR, KZ, LC, LK, LR, LS, LT, LU, LV, MA, MD, MG, MK, MN, MW, MX, MZ, NA, NG, NI, NO, NZ, OM, PG, PH, PL, PT, RO, RU, SC, SD, SE, SG, SK, SL, SM, SY, TJ, TM, TN, TR, TT, TZ, UA, UG, US, UZ, VC, VN, YU, ZA, ZM, ZW.

(84) Designated States (unless otherwise indicated, for every kind of regional protection available): ARIPO (BW, GH, GM, KE, LS, MW, MZ, NA, SD, SL, SZ, TZ, UG, ZM, ZW), Eurasian (AM, AZ, BY, KG, KZ, MD, RU, TJ, TM), European (AT, BE, BG, CH, CY, CZ, DE, DK, EE, ES, FI, FR, GB, GR, HU, IE, IS, IT, LT, LU, LV, MC, NL, PL, PT, RO, SE, SI, SK, TR), OAPI (BF, BJ, CF, CG, CI, CM, GA, GN, GQ, GW, ML, MR, NE, SN, TD, TG).

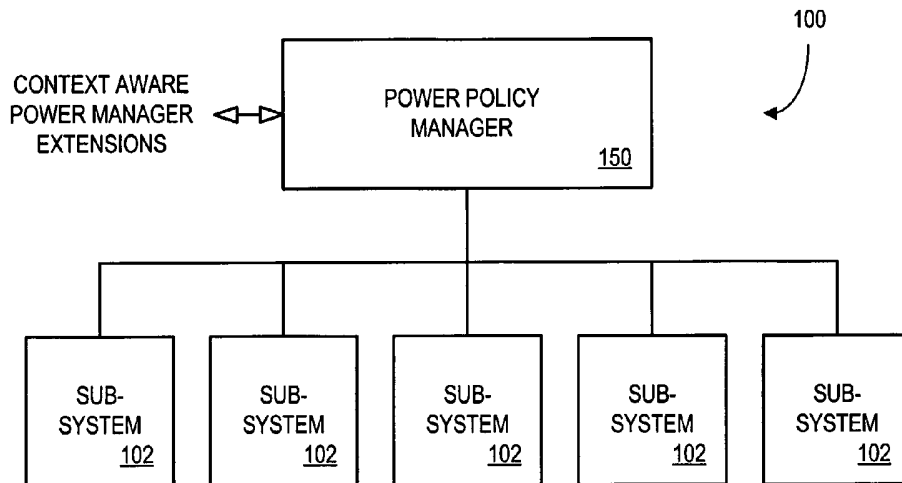
Published:  
— with international search report  
— before the expiration of the time limit for amending the claims and to be republished in the event of receipt of amendments

(88) Date of publication of the international search report:  
1 June 2006

For two-letter codes and other abbreviations, refer to the "Guidance Notes on Codes and Abbreviations" appearing at the beginning of each regular issue of the PCT Gazette.

- (72) Inventor; and
- (75) Inventor/Applicant (for US only): VENKATACHARY, Ramkumar [IN/US]; 2695 NW 126th Avenue, PORTLAND, OR 97229 (US).
- (74) Agents: BUCKLEY, Patrick et al.; BUCKLEY, MASCHOFF & TALWALKAR, LLC, Five Elm Street, New Canaan, CT 06840 (US).
- (81) Designated States (unless otherwise indicated, for every kind of national protection available): AE, AG, AL, AM,

(54) Title: CONTEXT BASED POWER MANAGEMENT



(57) Abstract: According to some embodiments, context information associated with a processing system is determined. It is then automatically arranged for a power state associated with the processing system to transition from a first power state to a second power state based on the context information.

WO 2006/028660 A3

**INTERNATIONAL SEARCH REPORT**

International application No

/US2005/028958

**A. CLASSIFICATION OF SUBJECT MATTER**  
G06F1/32

According to International Patent Classification (IPC) or to both national classification and IPC

**B. FIELDS SEARCHED**

Minimum documentation searched (classification system followed by classification symbols)  
G06F

Documentation searched other than minimum documentation to the extent that such documents are included in the fields searched

Electronic data base consulted during the international search (name of data base and, where practical, search terms used)

EPO-Internal, WPI Data

**C. DOCUMENTS CONSIDERED TO BE RELEVANT**

Category*	Citation of document, with indication, where appropriate, of the relevant passages	Relevant to claim No.
X	US 2004/003300 A1 (MALUEG MICHAEL D ET AL) 1 January 2004 (2004-01-01)  paragraphs [0026], [0036], [0038] - [0040], [0042], [0044], [0048], [0049]; figure 2 paragraphs [0081] - [0088]; figures 10-12 -----	1-4, 8-15, 18-23
X	EP 1 355 223 A (MICROSOFT CORPORATION) 22 October 2003 (2003-10-22)  column 5, line 31 - line 42; figure 2 column 8, line 7 - line 23; figure 4 ----- -/--	1,5-7, 11-13, 16,17, 23-25

Further documents are listed in the continuation of Box C.

See patent family annex.

\* Special categories of cited documents :

- \*A\* document defining the general state of the art which is not considered to be of particular relevance
- \*E\* earlier document but published on or after the international filing date
- \*L\* document which may throw doubts on priority claim(s) or which is cited to establish the publication date of another citation or other special reason (as specified)
- \*O\* document referring to an oral disclosure, use, exhibition or other means
- \*P\* document published prior to the international filing date but later than the priority date claimed

- \*T\* later document published after the international filing date or priority date and not in conflict with the application but cited to understand the principle or theory underlying the invention
- \*X\* document of particular relevance; the claimed invention cannot be considered novel or cannot be considered to involve an inventive step when the document is taken alone
- \*Y\* document of particular relevance; the claimed invention cannot be considered to involve an inventive step when the document is combined with one or more other such documents, such combination being obvious to a person skilled in the art.
- \*8\* document member of the same patent family

Date of the actual completion of the international search

31 March 2006

Date of mailing of the international search report

07/04/2006

Name and mailing address of the ISA/

European Patent Office, P.B. 5818 Patentlaan 2  
NL - 2280 HV Rijswijk  
Tel. (+31-70) 340-2040. Tx. 31 651 epo nl,  
Fax: (+31-70) 340-3016

Authorized officer

Chéron, L

INTERNATIONAL SEARCH REPORT

ational application No

/US2005/028958

C(Continuation). DOCUMENTS CONSIDERED TO BE RELEVANT		
Category*	Citation of document, with indication, where appropriate, of the relevant passages	Relevant to claim No.
X	<p>US 2001/020940 A1 (NAKAZATO RYU ET AL) 13 September 2001 (2001-09-13)</p> <p>paragraphs [0048] - [0065]; figures 1,2 paragraphs [0102] - [0104]; figure 9 paragraphs [0110] - [0118]; figures 13,15 -----</p>	<p>1,5, 10-13, 19,23,24</p>
X	<p>"Advanced Configuration and Power Interface Specification Rev 2.0" ADVANCED CONFIGURATION AND POWER INTERFACE SPECIFICATION, 27 July 2000 (2000-07-27), pages 1-35, XP002273950 sections 1.6 and 1.7, pages 4 and 5 sections 2.2 to 2.6, pages 19 to 23 sections 3.1 and 3.2, pages 25 to 27 sections 3.3 to 3.6, pages 28 to 35 -----</p>	<p>1-5, 8-15,18, 19,23-25</p>

# INTERNATIONAL SEARCH REPORT

Information on patent family members

International application No

/US2005/028958

Patent document cited in search report	Publication date	Patent family member(s)	Publication date
US 2004003300	A1	01-01-2004	NONE
<hr style="border-top: 1px dashed black;"/>			
EP 1355223	A	22-10-2003	AU 2003202422 A1 06-11-2003
			BR 0300636 A 08-09-2004
			CA 2423629 A1 17-10-2003
			CN 1452414 A 29-10-2003
			JP 2003345476 A 05-12-2003
			MX PA03003082 A 15-10-2004
			US 2005136994 A1 23-06-2005
			US 2003197597 A1 23-10-2003
			US 2006019724 A1 26-01-2006
<hr style="border-top: 1px dashed black;"/>			
US 2001020940	A1	13-09-2001	JP 2001255967 A 21-09-2001