



US0D1039120S

(12) **United States Design Patent**  
**Funke et al.**

(10) **Patent No.:** **US D1,039,120 S**

(45) **Date of Patent:** **\*\* Aug. 13, 2024**

- (54) **FITTING FOR HYDRAULIC SANITARY EQUIPMENT**
- (71) Applicant: **Oventrop GmbH & Co. KG**, Olsberg (DE)
- (72) Inventors: **Marius Funke**, Bestwig-Ostwig (DE); **Holger Wienand**, Olsberg-Bruchhausen (DE); **Sven Feustel**, Stuttgart (DE)
- (73) Assignee: **OVENTROP GMBH & CO. KG**, Olsberg (DE)
- (\*\*) Term: **15 Years**
- (21) Appl. No.: **35/513,991**
- (22) Filed: **Dec. 23, 2021**
- (80) **Hague Agreement Data**  
Int. Filing Date: **Dec. 23, 2021**  
Int. Reg. No.: **DM/219872**  
Int. Reg. Date: **Dec. 23, 2021**  
Int. Reg. Pub. Date: **Apr. 8, 2022**

- D408,506 S \* 4/1999 Gottwald ..... D23/260
- D433,105 S \* 10/2000 Mirth ..... D23/250
- D504,715 S \* 5/2005 Hagihara ..... D23/245
- D520,112 S \* 5/2006 Beaton ..... E04H 4/1272  
D23/233
- D522,618 S \* 6/2006 Matsushita ..... D23/233

(Continued)

**FOREIGN PATENT DOCUMENTS**

RU 00134536 \* 12/2022

**OTHER PUBLICATIONS**

HydroControl Reliability simplified oventrop product brochure; Publish Date Mar. 2021; Visited Online Feb. 16, 2023; [https://ish.messefrankfurt.com/frankfurt/en/exhibitor-search.detail.html/oventrop-gmbh--cokg/mf\\_1\\_0010015730\\_2996496\\_10000006202301.html](https://ish.messefrankfurt.com/frankfurt/en/exhibitor-search.detail.html/oventrop-gmbh--cokg/mf_1_0010015730_2996496_10000006202301.html) chrome-extension://efaidnbmninnibpcapjcgliclefindmkaj/https://exhibitorsearch.messefrankfurt.com/images/original/mics/10000006202301/0010015730/1671112831996\_240099773.pdf(Year: 2021).\*

(Continued)

- (30) **Foreign Application Priority Data**  
Jun. 30, 2021 (DE) ..... 402021100577

*Primary Examiner* — Jennifer Rivard  
*Assistant Examiner* — Jonathan E Fiencke  
(74) *Attorney, Agent, or Firm* — Andrew Wilford

- (51) **LOC (14) Cl.** ..... **23-07**
- (52) **U.S. Cl.**  
USPC ..... **D23/259**; D23/262; D23/263
- (58) **Field of Classification Search**  
USPC ..... D23/259, 262, 266, 233, 235, 245, 250, D23/260, 263–265, 268  
CPC ..... F24D 19/1036; F24D 2220/0264; F24D 2220/0235; F24D 2220/0285; G05D 7/0106; G05D 16/06; F16K 11/105; F16K 11/165; F16K 11/166; F16K 2200/101; F16K 2200/401  
See application file for complete search history.

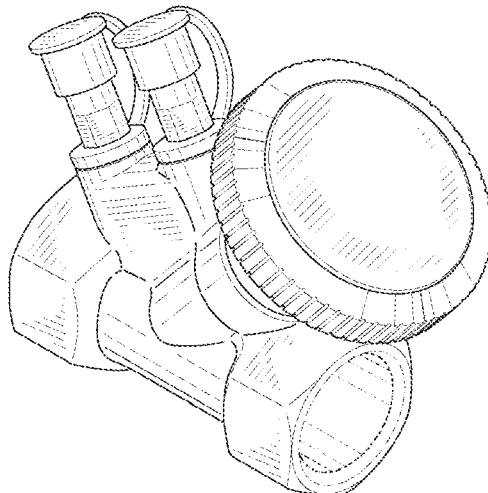
- (57) **CLAIM**  
The ornamental design for a fitting for hydraulic sanitary equipment, as shown and described.

**DESCRIPTION**

Fig. 3.1 is a perspective view; Fig. 3.2 is a side view; Fig. 3.3 is a front view; and Fig. 3.4 is a top view. The broken lines depict portions of the fitting for hydraulic sanitary equipment that form no part of the claimed design. The dot dash dot lines denotes the boundary of the claim and forms no part thereof.

- (56) **References Cited**  
**U.S. PATENT DOCUMENTS**  
5,195,720 A \* 3/1993 Nortier ..... E03D 5/10  
D23/233  
D335,918 S \* 5/1993 Glansk ..... D23/245  
D396,524 S \* 7/1998 Patrick ..... D23/233

**1 Claim, 4 Drawing Sheets**



(56)

References Cited

U.S. PATENT DOCUMENTS

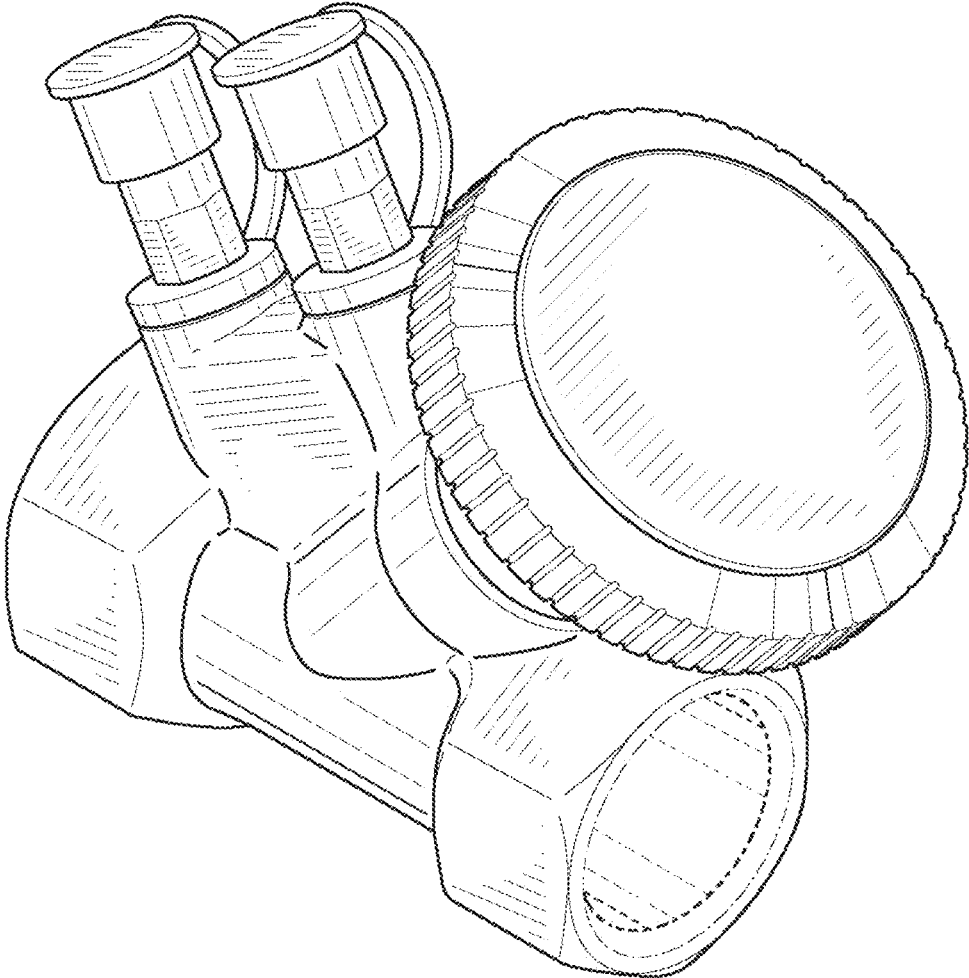
D541,905 S \* 5/2007 Yajima ..... D23/233  
 7,306,010 B2 \* 12/2007 Gruener, Sr. .... F16K 5/0647  
 251/315.16  
 D559,955 S \* 1/2008 Donovan ..... D23/233  
 D603,480 S \* 11/2009 Ibanez Sapina ..... D23/233  
 D625,777 S \* 10/2010 Loffler ..... D23/233  
 D677,363 S \* 3/2013 Norlander ..... D23/233  
 D686,699 S \* 7/2013 Evans, Jr. .... D23/233  
 D706,394 S \* 6/2014 Evans, Jr. .... D23/233  
 D726,884 S \* 4/2015 Yamagishi ..... D23/259  
 10,132,509 B2 \* 11/2018 Loeffler ..... G05D 16/06  
 10,139,839 B2 \* 11/2018 Loeffler ..... F24D 19/1036  
 D842,971 S \* 3/2019 Löffler ..... D23/259  
 D976,135 S \* 1/2023 Lippert ..... D23/235  
 D983,324 S \* 4/2023 Zhou ..... D23/233  
 D985,699 S \* 5/2023 Lo ..... F16K 11/165  
 D8/382  
 D989,243 S \* 6/2023 Deng ..... D23/259  
 D989,244 S \* 6/2023 Visconti ..... D23/262  
 D990,627 S \* 6/2023 Liao ..... D23/245  
 D991,066 S \* 7/2023 Imai ..... D23/233  
 D1,006,191 S \* 11/2023 Kim ..... D23/233  
 D1,006,960 S \* 12/2023 Schmidiger ..... D23/235  
 D1,009,228 S \* 12/2023 Panwar ..... D23/266  
 D1,014,710 S \* 2/2024 Knecht ..... D23/262

D1,017,776 S \* 3/2024 Pan ..... D23/263  
 D1,019,907 S \* 3/2024 Lee ..... D23/262  
 D1,021,016 S \* 4/2024 Castriotta ..... D23/262  
 D1,022,149 S \* 4/2024 McCutcheon ..... D23/262  
 D1,022,153 S \* 4/2024 Dumonceaux ..... D23/266  
 D1,022,154 S \* 4/2024 Dumonceaux ..... D23/263  
 D1,022,155 S \* 4/2024 Dumonceaux ..... D23/263  
 2012/0325338 A1 \* 12/2012 Pettinaroli ..... G05D 7/0106  
 137/505  
 2023/0098030 A1 \* 3/2023 Liu ..... F16K 11/165  
 251/129.01

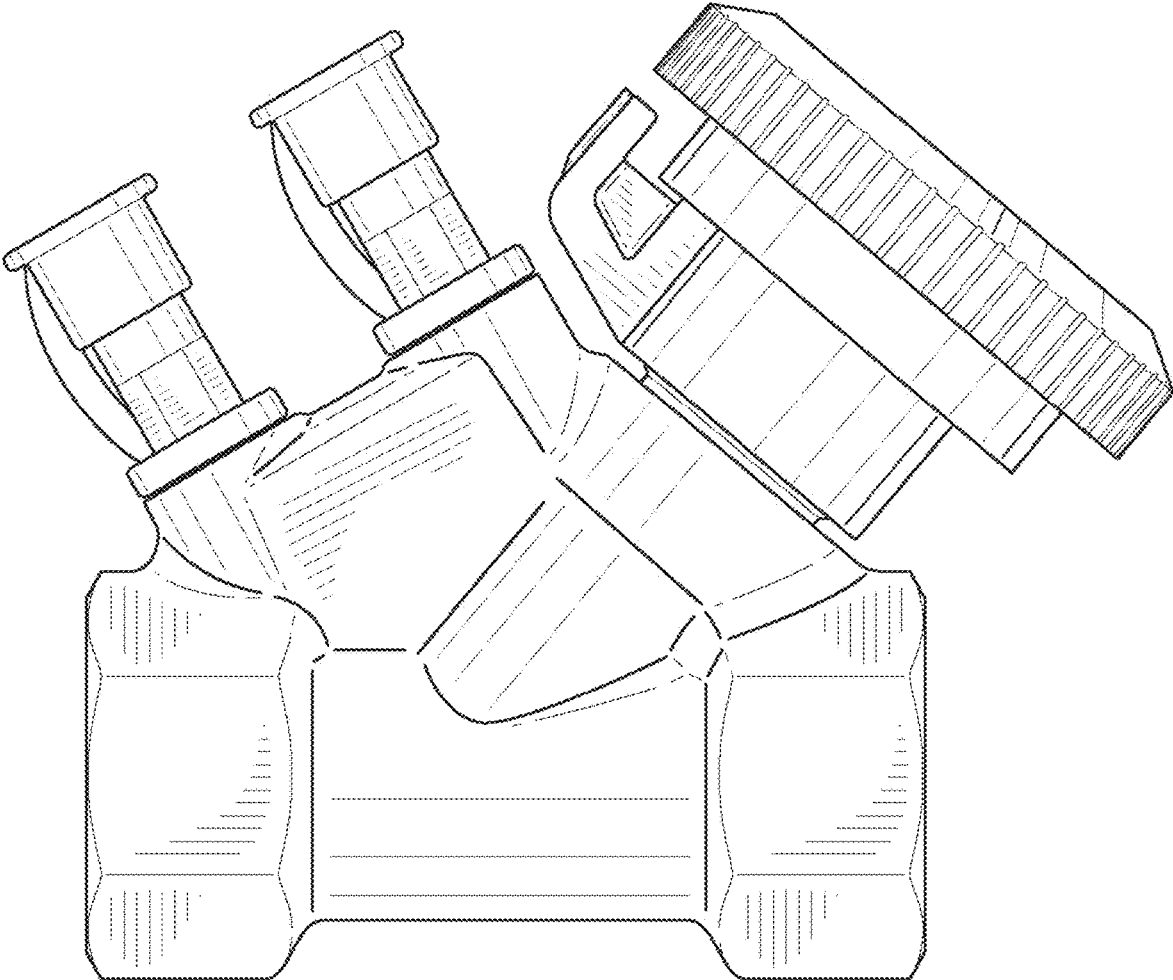
OTHER PUBLICATIONS

HydroCom Simply quicker oventrop product Brochure; Publish Date May 2021; Visited Online Feb. 16, 2023; [https://ish.messefrankfurt.com/frankfurt/en/exhibitor-search.detail.html/oventrop-gmbh--cokg/mf\\_1\\_0010015730\\_2996500\\_10000006202301.html](https://ish.messefrankfurt.com/frankfurt/en/exhibitor-search.detail.html/oventrop-gmbh--cokg/mf_1_0010015730_2996500_10000006202301.html) chrome-extension://efaidnbmnnnibpcajpcglclefindmkaj/https://exhibitorsearch.messefrankfurt.com/images/original/mics/10000006202301/0010015730/1671112774270\_1492907351.pdf (Year: 2021).  
 Oventrop HydroCom balancing Valves, YouTube video frames 0.05-0.34/0:48; Announced on YouTube Jun. 30, 2021; Visited Online Feb. 16, 2023; [https://www.youtube.com/watch?v=9W9a5LL\\_P1A](https://www.youtube.com/watch?v=9W9a5LL_P1A) (Year: 2021).\*

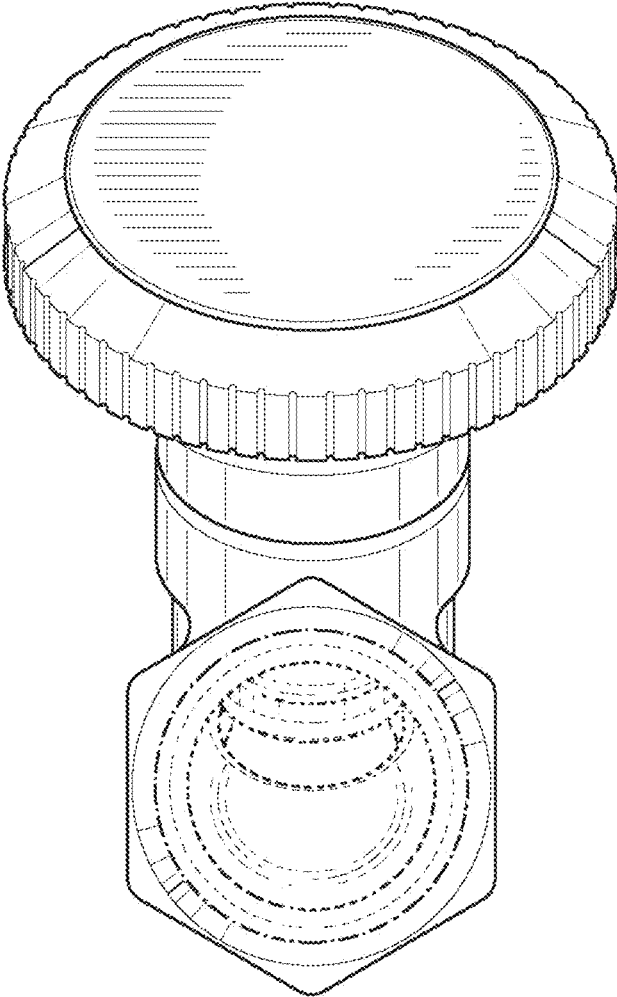
\* cited by examiner



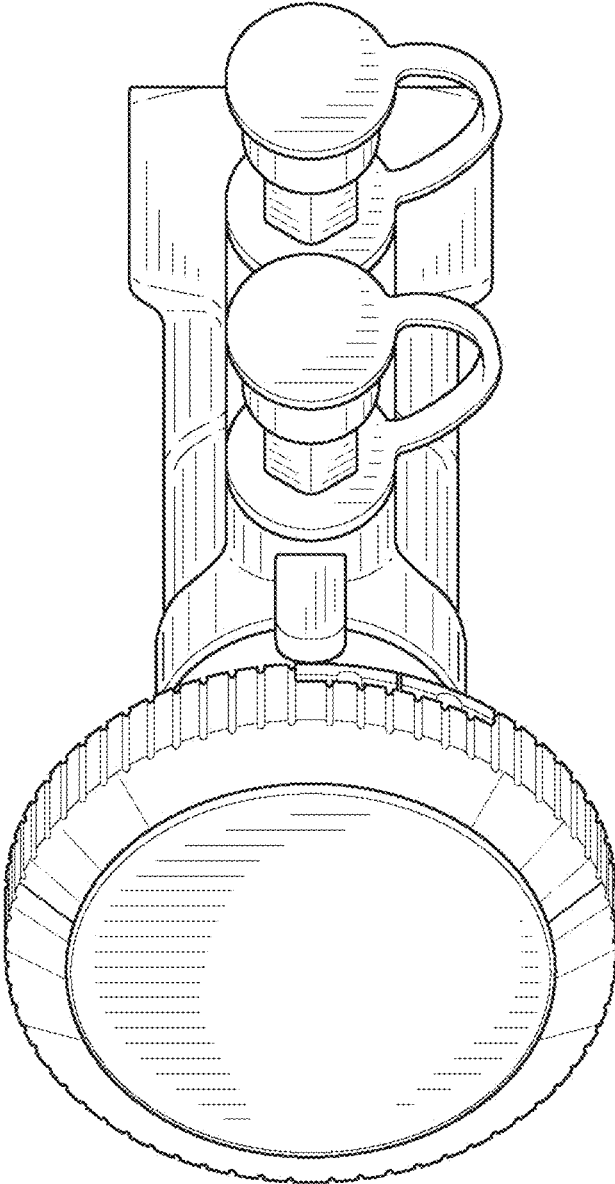
**Fig. 3.1**



**Fig. 3.2**



**Fig. 3.3**



**Fig. 3.4**