

(19) World Intellectual Property Organization
International Bureau



(43) International Publication Date
30 April 2009 (30.04.2009)

PCT

(10) International Publication Number
WO 2009/053813 A3

(51) International Patent Classification:

E04D 1/30 (2006.01) E04D 1/34 (2006.01)
H01L 31/048 (2006.01) F24J 2/00 (2006.01)

(IT). CORVAGLIA, Roberto [IT/IT]; Via Giotto, 38,
I-30022 Ceggia (IT).

(21) International Application Number:

PCT/IB2008/002813

(74) Agent: PIOVESANA, Paolo; Via F. Baracca, 5/a, I-30173
Venezia Mestre (IT).

(22) International Filing Date: 22 October 2008 (22.10.2008)

(25) Filing Language: Italian

(26) Publication Language: English

(30) Priority Data:

VE2007A000077 23 October 2007 (23.10.2007) IT
VE2007A000084 31 October 2007 (31.10.2007) IT
VE2008A000026 27 March 2008 (27.03.2008) IT

(81) Designated States (unless otherwise indicated, for every
kind of national protection available): AE, AG, AL, AM,
AO, AT, AU, AZ, BA, BB, BG, BH, BR, BW, BY, BZ, CA,
CH, CN, CO, CR, CU, CZ, DE, DK, DM, DO, DZ, EC, EE,
EG, ES, FI, GB, GD, GE, GH, GM, GT, HN, HR, HU, ID,
IL, IN, IS, JP, KE, KG, KM, KN, KP, KR, KZ, LA, LC, LK,
LR, LS, LT, LU, LY, MA, MD, ME, MG, MK, MN, MW,
MX, MY, MZ, NA, NG, NI, NO, NZ, OM, PG, PH, PL, PT,
RO, RS, RU, SC, SD, SE, SG, SK, SL, SM, ST, SV, SY, TJ,
TM, TN, TR, TT, TZ, UA, UG, US, UZ, VC, VN, ZA, ZM,
ZW.

(71) Applicant (for all designated States except US): MIND
S.R.L. [IT/IT]; Via A. Volta, 54, I-30020 Noventa Di Piave
(IT).

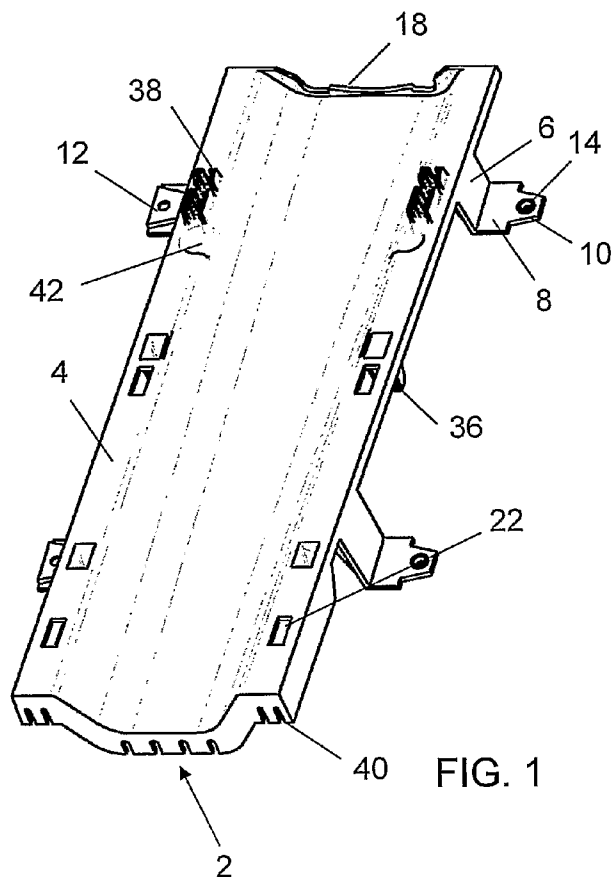
(84) Designated States (unless otherwise indicated, for every
kind of regional protection available): ARIPO (BW, GH,
GM, KE, LS, MW, MZ, NA, SD, SL, SZ, TZ, UG, ZM,
ZW), Eurasian (AM, AZ, BY, KG, KZ, MD, RU, TJ, TM),
European (AT, BE, BG, CH, CY, CZ, DE, DK, EE, ES, FI,

(72) Inventors; and

(75) Inventors/Applicants (for US only): BORTOLETTO,
Sante [IT/IT]; Via Milano, 8/2, I-30024 Musile Di Piave

[Continued on next page]

(54) Title: MODULAR ELEMENTS FOR BUILDING ROOFS



(57) Abstract: Modular elements for roofs of buildings, comprising curved channel tiles (2), disposed in partially superposed mutually predefined position on the roof support surface, such as to form side by side rows extending substantially along the lines of maximum roof slope with their concavity facing upwards, and curved cover tiles (20, 44, 84) disposed with their concavity facing downwards in partially superposed condition to form rows straddling pairs of side by side rows of channel tiles, characterised in that the channel tile (2) presents the following characteristics: - it has an upwardly open longitudinal cavity bounded by two raised side portions (4), - said raised portions (4) are provided with downwardly facing legs (6), - said legs (6) are provided lowerly with feet (8) fixable to the feet of a side by side channel tile and, simultaneously therewith, to an underlying roofing plane, - its upstream transverse edge is provided with a rib on which the overlying channel tile pertaining to the same row (16) rests, - when secured to a channel tile of the adjacent row it forms a support for a traditional cover tile or, at choice, for a technological tile disposed straddling said channel tiles.

WO 2009/053813 A3



FR, GB, GR, HR, HU, IE, IS, IT, LT, LU, LV, MC, MT, NL,
NO, PL, PT, RO, SE, SI, SK, TR), OAPI (BF, BJ, CF, CG,
CI, CM, GA, GN, GQ, GW, ML, MR, NE, SN, TD, TG).

— *before the expiration of the time limit for amending the
claims and to be republished in the event of receipt of
amendments*

Published:

— *with international search report*

(88) Date of publication of the international search report:
23 July 2009

INTERNATIONAL SEARCH REPORT

International application No
PCT/IB2008/002813

A. CLASSIFICATION OF SUBJECT MATTER INV. E04D1/30 H01L31/048 E04D1/34 F24J2/00		
According to International Patent Classification (IPC) or to both national classification and IPC		
B. FIELDS SEARCHED Minimum documentation searched (classification system followed by classification symbols) E04D H01L F24J		
Documentation searched other than minimum documentation to the extent that such documents are included in the fields searched		
Electronic data base consulted during the international search (name of data base and, where practical, search terms used) EPO-Internal		
C. DOCUMENTS CONSIDERED TO BE RELEVANT		
Category*	Citation of document, with indication, where appropriate, of the relevant passages	Relevant to claim No.
A	FR 2 679 280 A (LAURAGAIS GUIRAUD FRERES TUILE [FR]) 22 January 1993 (1993-01-22) the whole document	1
A	FR 2 505 910 A (BARNAY MICHEL [FR]) 19 November 1982 (1982-11-19) figures	
A	FR 2 640 305 A (TUILERIES BRIQUETERIES LAURAGA [FR]) 15 June 1990 (1990-06-15) figures	
A	DE 199 53 409 C1 (MERETTIG BERND [DE]) 5 July 2001 (2001-07-05) figures	
	----- -/-- -----	
<input checked="" type="checkbox"/> Further documents are listed in the continuation of Box C. <input checked="" type="checkbox"/> See patent family annex.		
* Special categories of cited documents :		
A document defining the general state of the art which is not considered to be of particular relevance *E* earlier document but published on or after the international filing date *L* document which may throw doubts on priority claim(s) or which is cited to establish the publication date of another citation or other special reason (as specified) *O* document referring to an oral disclosure, use, exhibition or other means *P* document published prior to the International filing date but later than the priority date claimed		*T* later document published after the international filing date or priority date and not in conflict with the application but cited to understand the principle or theory underlying the invention *X* document of particular relevance; the claimed invention cannot be considered novel or cannot be considered to involve an inventive step when the document is taken alone *Y* document of particular relevance; the claimed invention cannot be considered to involve an inventive step when the document is combined with one or more other such documents, such combination being obvious to a person skilled in the art. *&* document member of the same patent family
Date of the actual completion of the international search <p align="center">14 May 2009</p>		Date of mailing of the international search report <p align="center">03/06/2009</p>
Name and mailing address of the ISA/ European Patent Office, P.B. 5818 Patentlaan 2 NL - 2280 HV Rijswijk Tel. (+31-70) 340-2040, Fax: (+31-70) 340-3016		Authorized officer <p align="center">Vratsanou, Violandi</p>

INTERNATIONAL SEARCH REPORT

International application No

PCT/IB2008/002813

C(Continuation). DOCUMENTS CONSIDERED TO BE RELEVANT

Category*	Citation of document, with indication, where appropriate, of the relevant passages	Relevant to claim No.
A	US 5 651 226 A (ARCHIBALD JOHN P [US]) 29 July 1997 (1997-07-29) figures	
P,A	WO 2008/052816 A (MIND S R L [IT]; BORTOLETTO SANTE [IT]; CORVAGLIA ROBERTO [IT]) 8 May 2008 (2008-05-08) figures	1
E	EP 1 990 585 A (SOLAR CENTURY HOLDINGS LTD [GB]) 12 November 2008 (2008-11-12) figures	1

INTERNATIONAL SEARCH REPORT

Information on patent family members

International application No PCT/IB2008/002813

Patent document cited in search report	Publication date	Publication date	Patent family member(s)	Publication date
FR 2679280	A	22-01-1993	ES 2066667 A2 IT 1255338 B	01-03-1995 31-10-1995
FR 2505910	A	19-11-1982	NONE	
FR 2640305	A	15-06-1990	ES 2015134 A6 IT 1234615 B	01-08-1990 25-05-1992
DE 19953409	C1	05-07-2001	ES 1047530 U	16-04-2001
US 5651226	A	29-07-1997	NONE	
WO 2008052816	A	08-05-2008	NONE	
EP 1990585	A	12-11-2008	ES 1069238 U FR 2916005 A1 US 2008276552 A1	01-03-2009 14-11-2008 13-11-2008