



US00D465054S

(12) **United States Design Patent**
Lau

(10) **Patent No.:** **US D465,054 S**

(45) **Date of Patent:** **** Oct. 29, 2002**

(54) **LAMP**

D410,560 S * 6/1999 Bezborodko D26/110

(75) Inventor: **Patrick Ting-Yup Lau**, Quarry Bay (CN)

* cited by examiner

(73) Assignee: **Green Logic Associates Limited**, Tortola (VG)

Primary Examiner—Alan P. Douglas

Assistant Examiner—Linda Brooks

(74) *Attorney, Agent, or Firm*—Alix, Yale & Ristas, LLP

(**) Term: **14 Years**

(57) **CLAIM**

(21) Appl. No.: **29/146,960**

The ornamental design for a lamp, as shown and described.

(22) Filed: **Aug. 20, 2001**

DESCRIPTION

(30) **Foreign Application Priority Data**

Feb. 26, 2001 (HK) 0110257

FIG. 1 is a perspective view of a lamp showing my new design;

(51) **LOC (7) Cl.** **26-03**

FIG. 2 is a front elevational view thereof;

(52) **U.S. Cl.** **D26/93**

FIG. 3 is a left side elevational view thereof;

(58) **Field of Search** D26/93-112, 60, D26/75, 142; 362/410-414, 431, 153, 153.1; 248/158, 163.1, 165, 188.7, 260

FIG. 4 is a right side elevational view thereof;

FIG. 5 is a rear elevational view thereof;

FIG. 6 is a top plan view thereof; and,

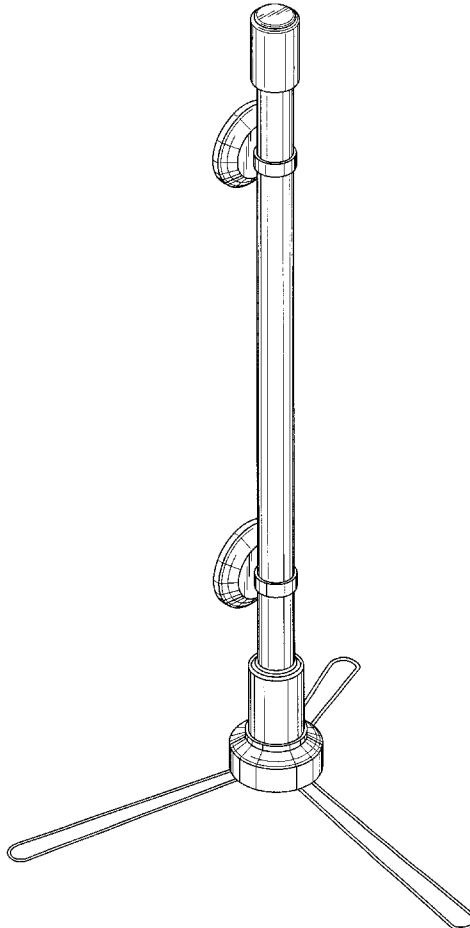
FIG. 7 is a bottom plan view thereof.

(56) **References Cited**

U.S. PATENT DOCUMENTS

1,919,114 A * 7/1933 Ley 362/413 X

1 Claim, 6 Drawing Sheets



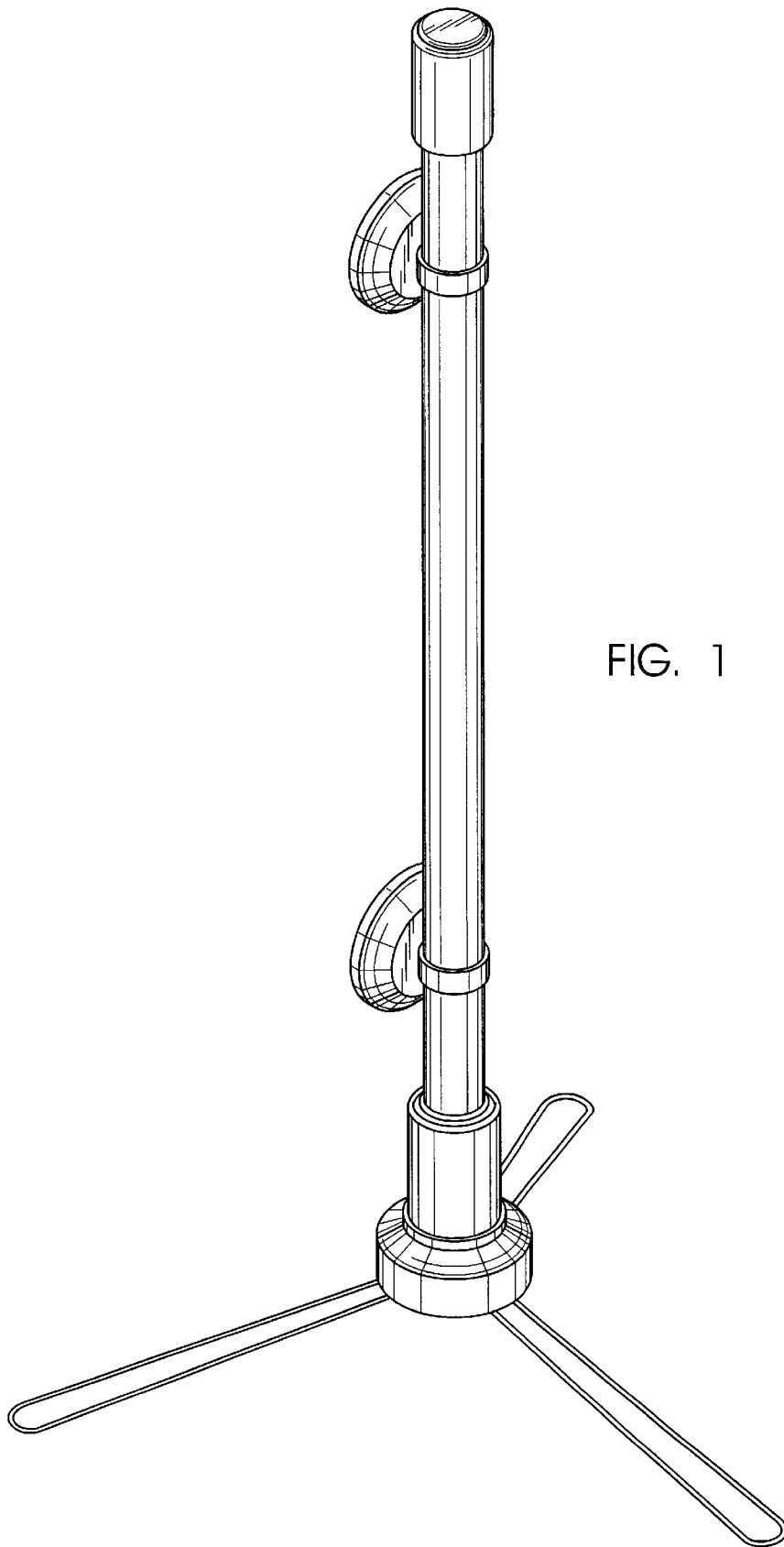


FIG. 1

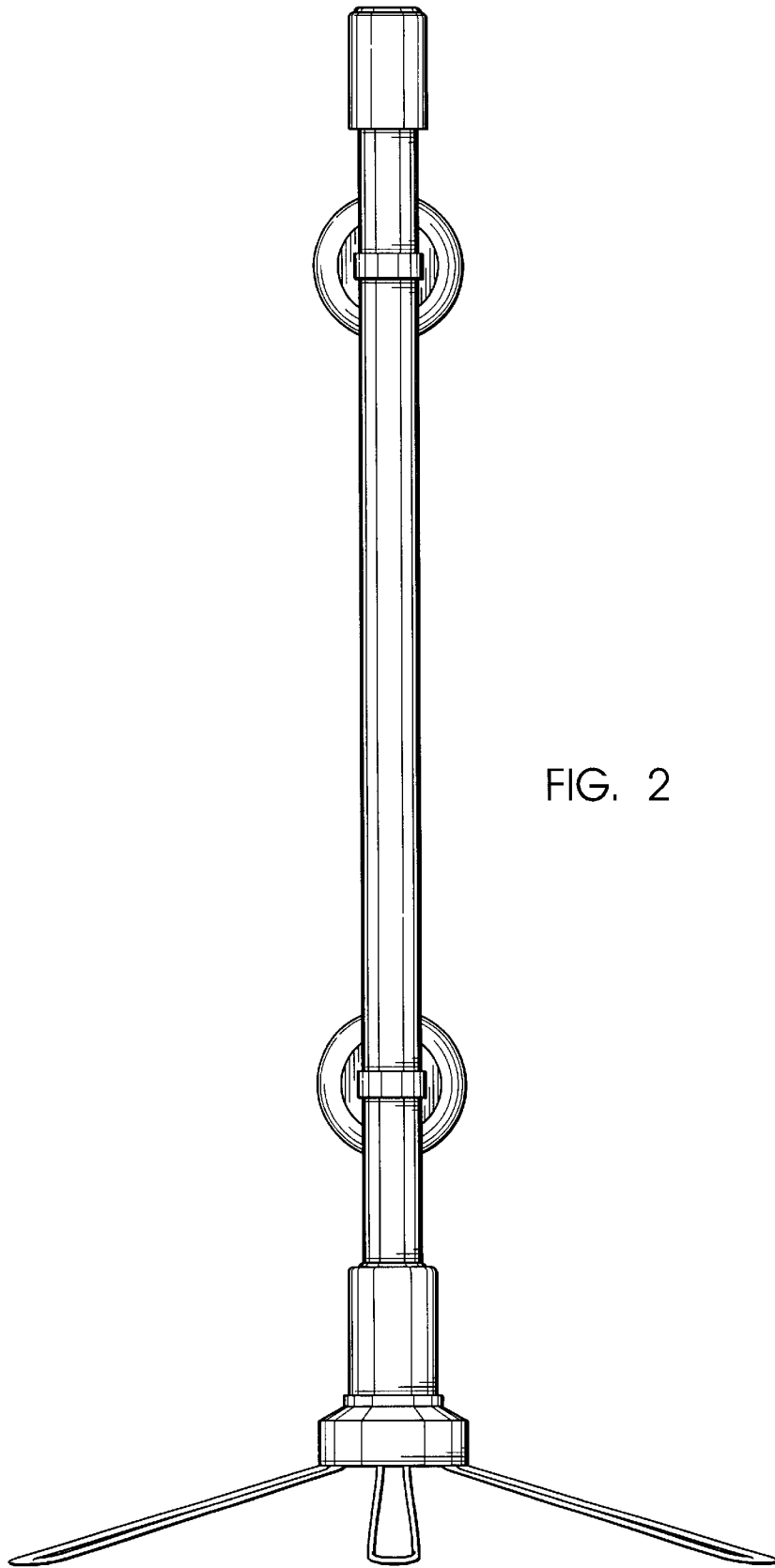
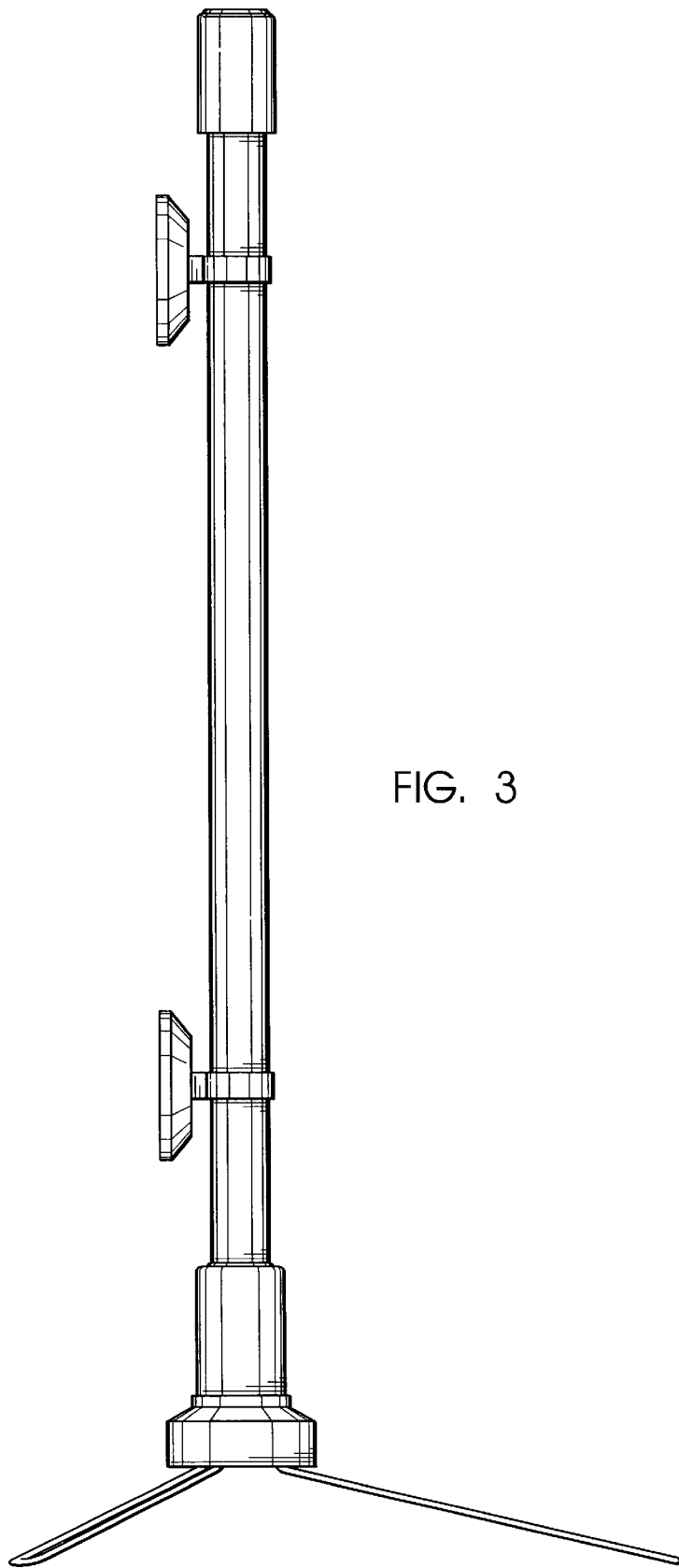


FIG. 2



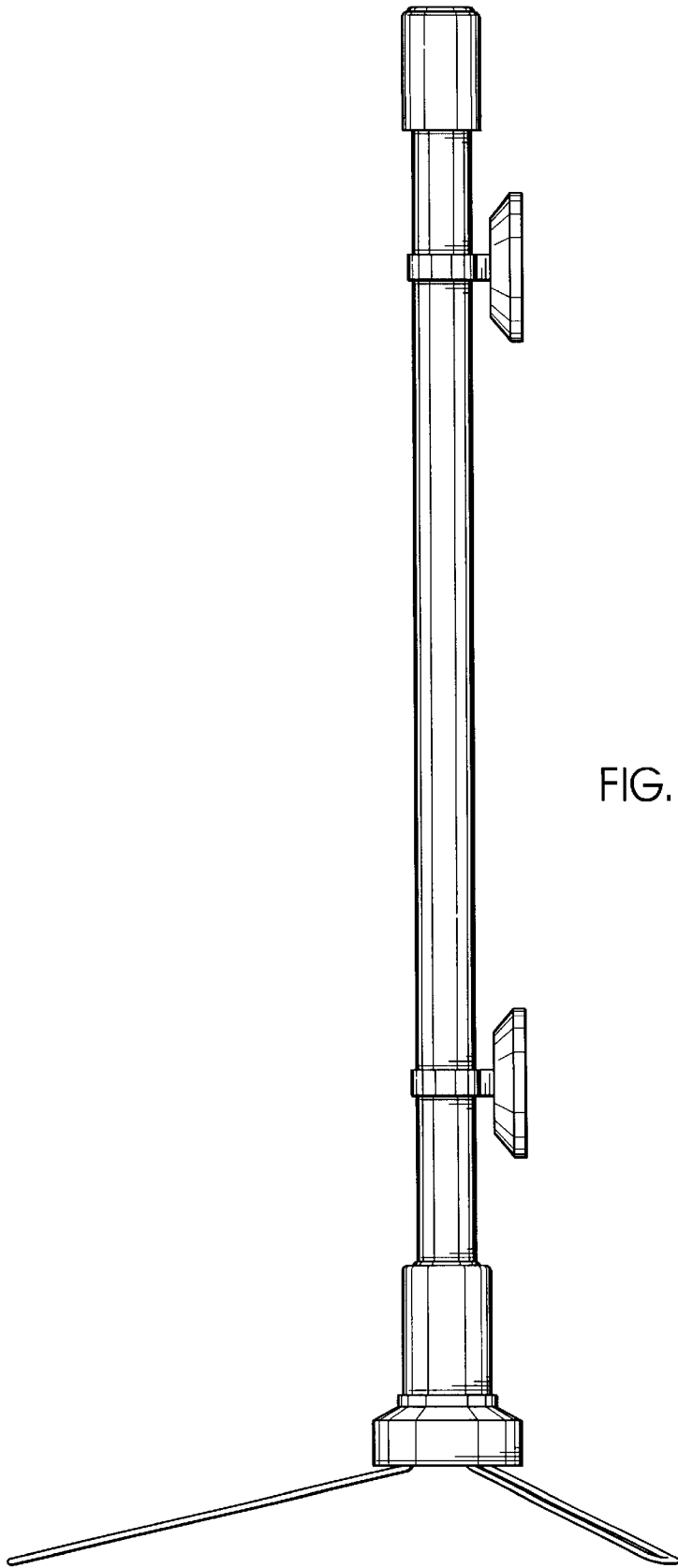


FIG. 4

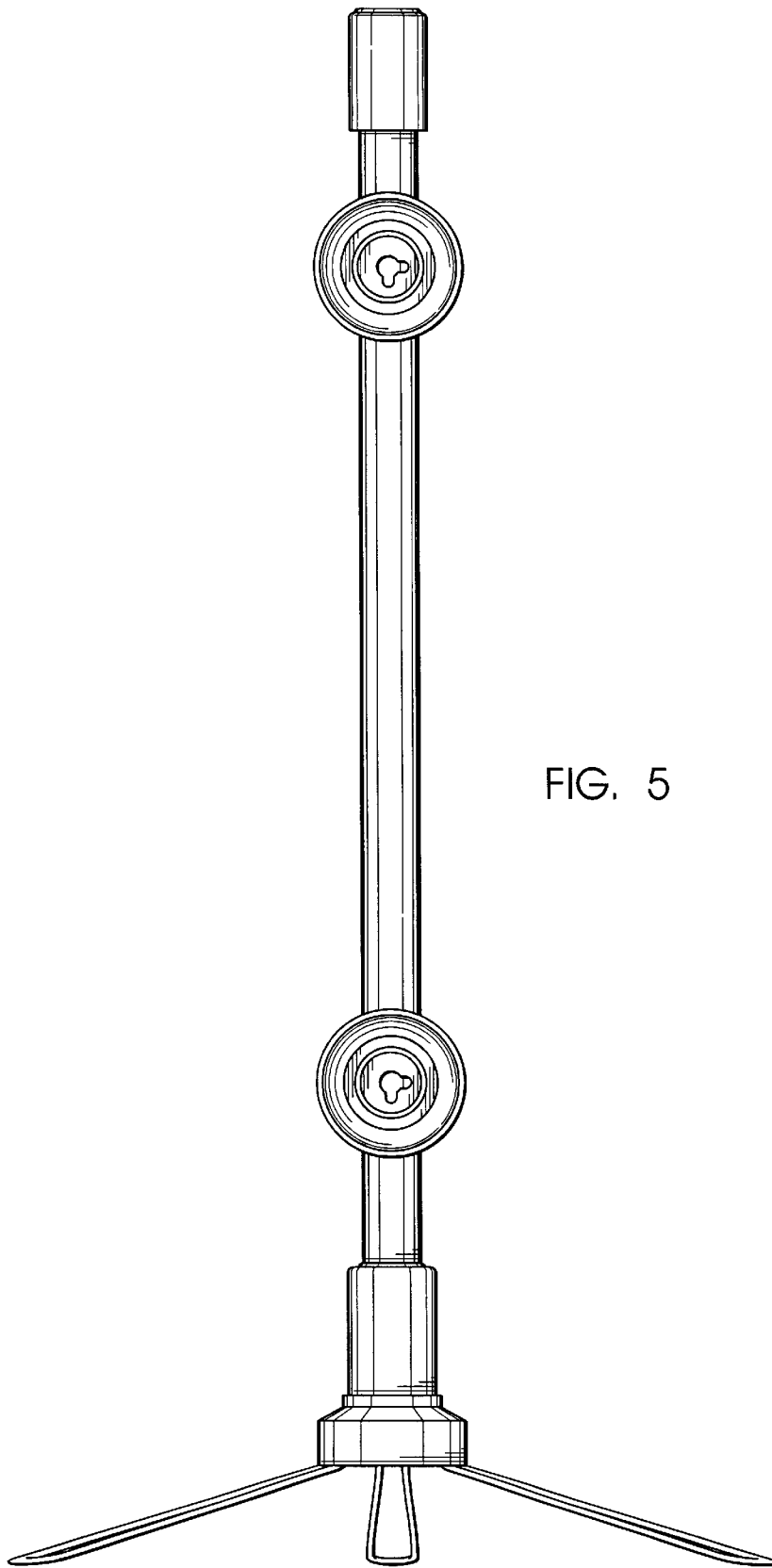


FIG. 5

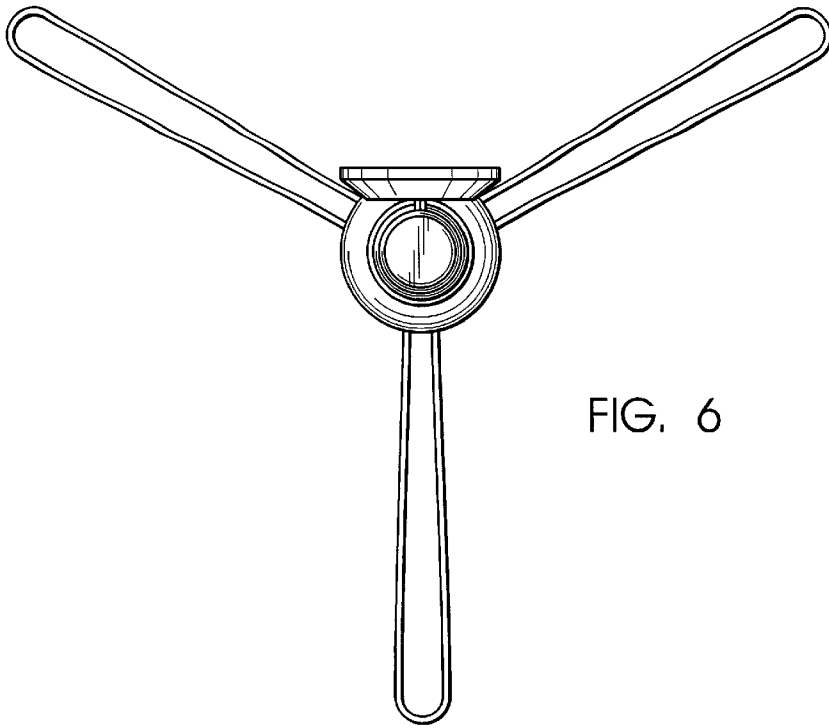


FIG. 6

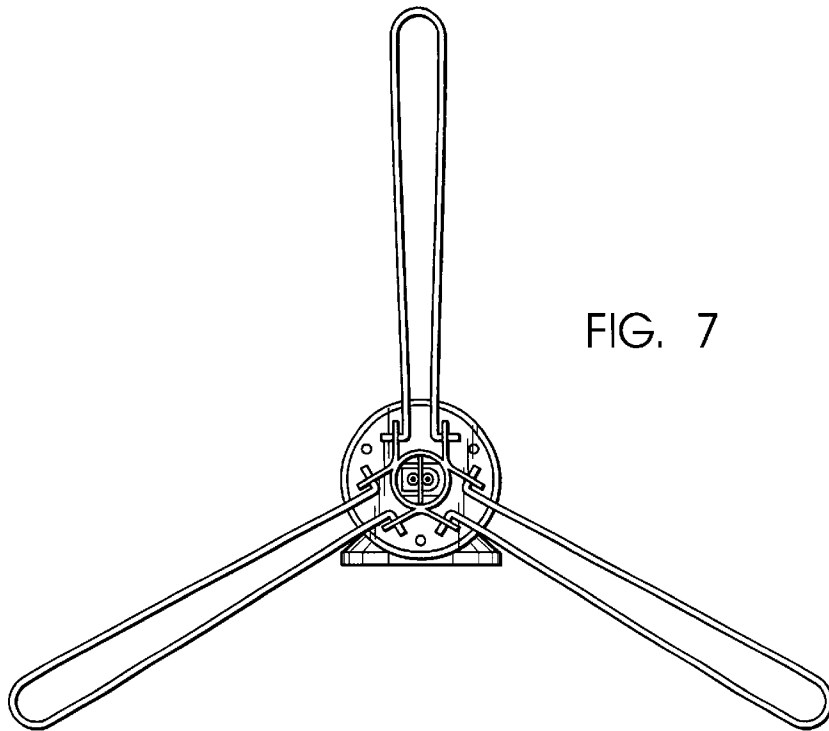


FIG. 7