



US0D1027773S

(12) **United States Design Patent**
Liu et al.

(10) **Patent No.:** **US D1,027,773 S**

(45) **Date of Patent:** **** May 21, 2024**

(54) **VEHICLE WHEEL**

(71) Applicant: **CITIC Dicastal Co., Ltd.**,
Qinhuangdao (CN)

(72) Inventors: **Zhichong Liu**, Qinhuangdao (CN); **Zuo Xu**, Qinhuangdao (CN); **Hanqi Wu**, Qinhuangdao (CN); **Zhihua Zhu**, Qinhuangdao (CN)

(73) Assignee: **CITIC Dicastal Co., Ltd.**,
Qinhuangdao (CN)

(**) Term: **15 Years**

(21) Appl. No.: **29/813,198**

(22) Filed: **Oct. 27, 2021**

(51) **LOC (14) Cl.** **12-16**

(52) **U.S. Cl.**
USPC **D12/209**

(58) **Field of Classification Search**
USPC D12/204–213; D21/563
CPC B60B 7/00; B60B 7/02; B60B 7/04; B60B 7/01; B60B 7/06; B60B 3/02; B60B 3/04; B60B 3/06; B60B 3/10; B60B 1/00; B60B 1/08; B60B 1/10; B60B 1/12
See application file for complete search history.

(56) **References Cited**

U.S. PATENT DOCUMENTS

D461,442 S * 8/2002 Kataoka D12/211
D466,467 S * 12/2002 Hodges D12/211

D492,235 S * 6/2004 Nordmann D12/211
D650,315 S * 12/2011 Juergens D12/211
D680,488 S * 4/2013 Campbell D12/211
D683,685 S * 6/2013 Pollmann D12/211
D702,614 S * 4/2014 Lemke D12/211
D720,679 S * 1/2015 Garbas D12/211
D859,275 S * 9/2019 Valencia Pollex D12/211
D871,296 S * 12/2019 Bjerke D12/209
D883,170 S * 5/2020 Tian D12/209
D899,995 S * 10/2020 Platto D12/209
D928,685 S * 8/2021 Tamaki D12/209

* cited by examiner

Primary Examiner — Calvin E Vansant

(74) *Attorney, Agent, or Firm* — IPro, PLLC

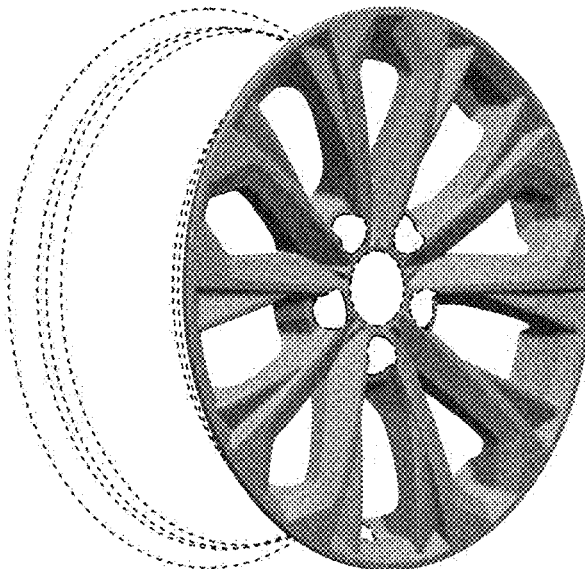
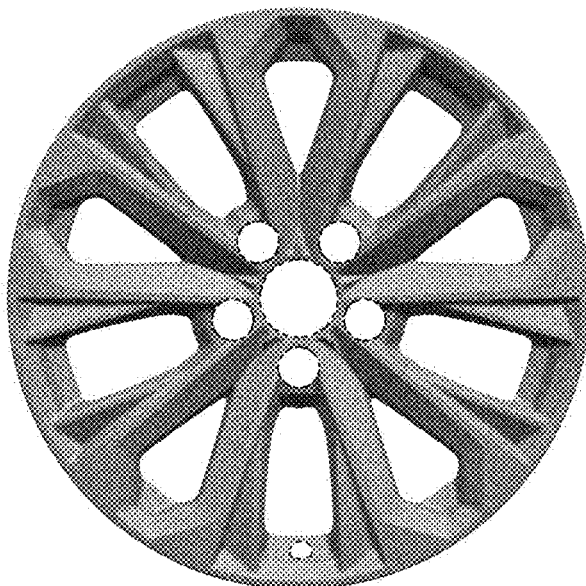
(57) **CLAIM**

The ornamental design for a vehicle wheel, as shown and described.

DESCRIPTION

FIG. 1 is a front view of a vehicle wheel.
FIG. 2 is a perspective view of the vehicle wheel; and,
FIG. 3 is a left side view of the vehicle wheel.
In the drawings the broken lines depict portions of the wheel that form no part of the claimed design.

1 Claim, 3 Drawing Sheets



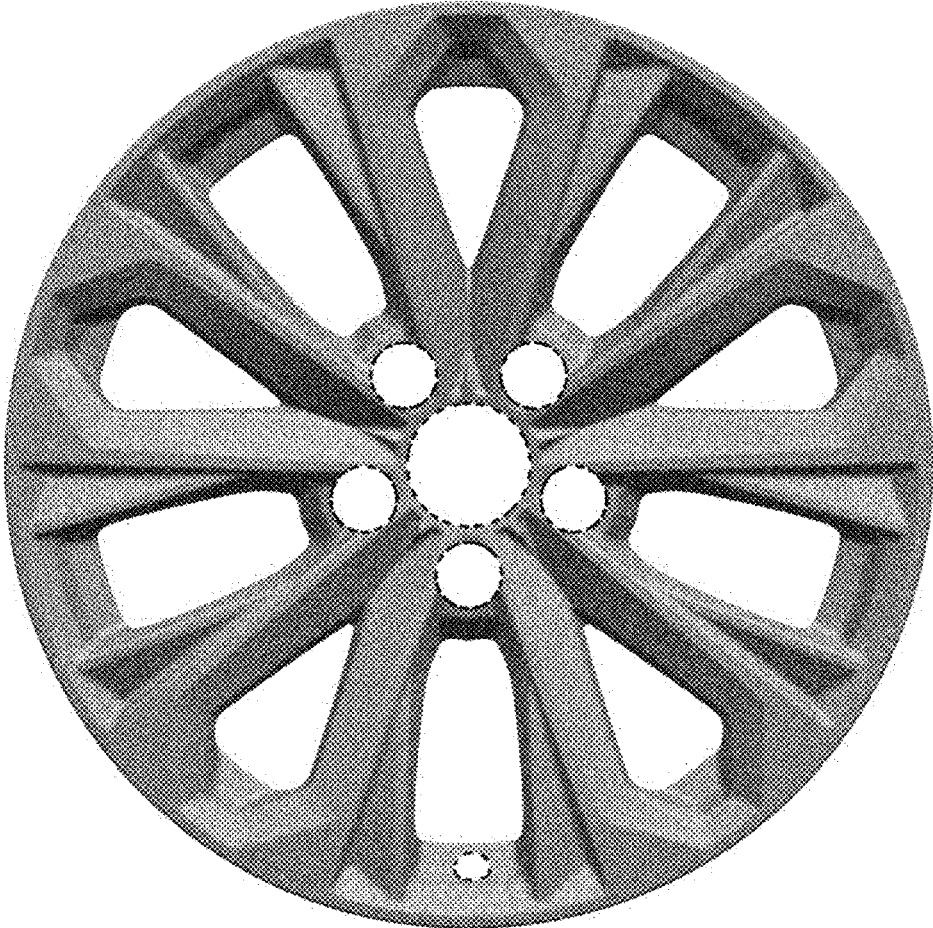


FIG. 1

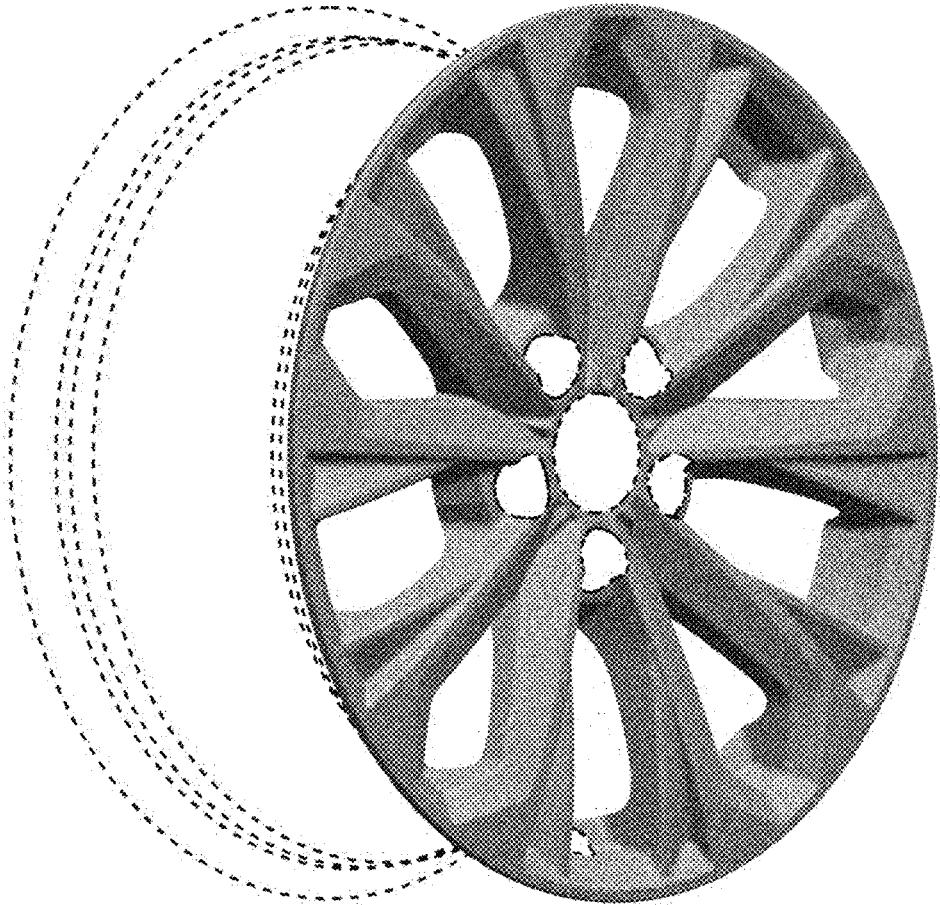


FIG. 2

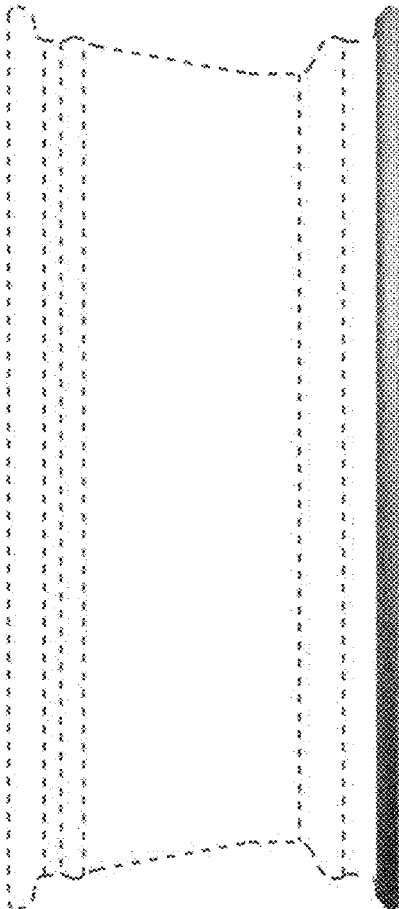


FIG. 3