



US00D784081S

(12) **United States Design Patent**
Szymanski

(10) **Patent No.:** **US D784,081 S**
(45) **Date of Patent:** **** Apr. 18, 2017**

- (54) **CONTAINER**
- (71) Applicant: **Aaron Szymanski**, Thomaston, CT (US)
- (72) Inventor: **Aaron Szymanski**, Thomaston, CT (US)
- (73) Assignee: **IdeaVillage Products Corp.**, Wayne, NJ (US)
- (**) Term: **15 Years**
- (21) Appl. No.: **29/505,755**
- (22) Filed: **Feb. 1, 2016**
- (51) **LOC (10) Cl.** **07-01**
- (52) **U.S. Cl.**
USPC **D7/507; D7/510; D7/511**
- (58) **Field of Classification Search**
USPC D7/507, 509, 510, 511, 523, 529, 531, D7/532, 533, 534, 608, 300.2, 591, 598, D7/601, 602, 387, 392.1, 396.2, 396.1, D7/398, 399, 397, 400, 516, 518, 519, D7/513; D9/435, 436, 519, 549, 552, D9/556, 559, 439, 440, 434; D21/386; D24/196, 197; 220/592.16, 292.17, 705, 220/710, 495.03
CPC A47G 19/22; A47G 19/2211; A47G 19/2216; A47G 19/2222; A47G 19/2233
See application file for complete search history.

8,381,935 B1 *	2/2013	Buck	A47G 19/2205
			220/212
D723,871 S *	3/2015	Khubani	D7/505
D742,174 S *	11/2015	Roth	D7/300.2
D755,013 S *	5/2016	Khubani	D7/507
D767,335 S *	9/2016	Khubani	D7/507
D773,895 S *	12/2016	Dai	D7/507
D773,896 S *	12/2016	Dai	D7/507
2003/0173237 A1 *	9/2003	Kim	B65D 3/24
			206/217

* cited by examiner

Primary Examiner — Marianne Pandozzi

Assistant Examiner — Jae Liang

(74) *Attorney, Agent, or Firm* — Dan DeLaRosa, Esq.

(57) **CLAIM**

The ornamental design for a container, as shown and described.

DESCRIPTION

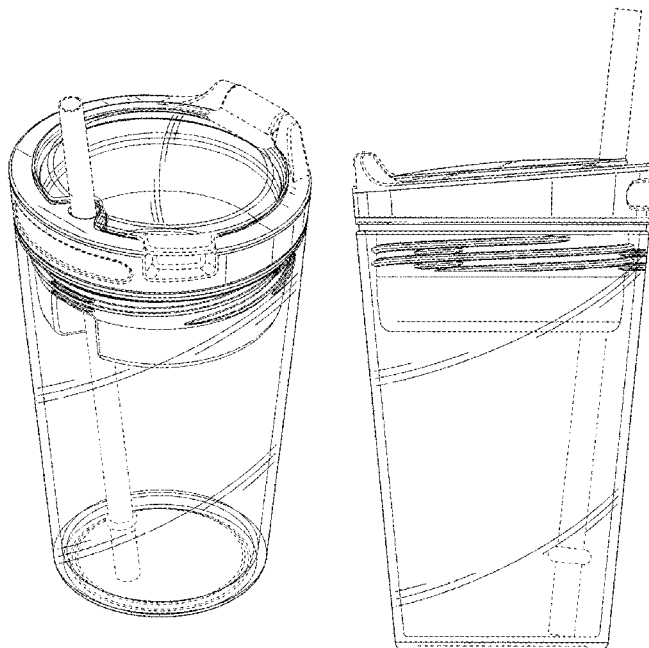
FIG. 1 is a top front perspective view of a container showing my new design;
 FIG. 2 is a front elevational view thereof;
 FIG. 3 is a rear elevational view thereof;
 FIG. 4 is a first side elevational view thereof;
 FIG. 5 is a second side elevational view thereof;
 FIG. 6 is a top plan view thereof; and,
 FIG. 7 is a bottom plan view thereof.
 The broken lines in the drawing depict portions of the container that form no part of the claimed design.

1 Claim, 7 Drawing Sheets

(56) **References Cited**

U.S. PATENT DOCUMENTS

- D640,094 S * 6/2011 Carlson
- D674,241 S * 1/2013 Bickert



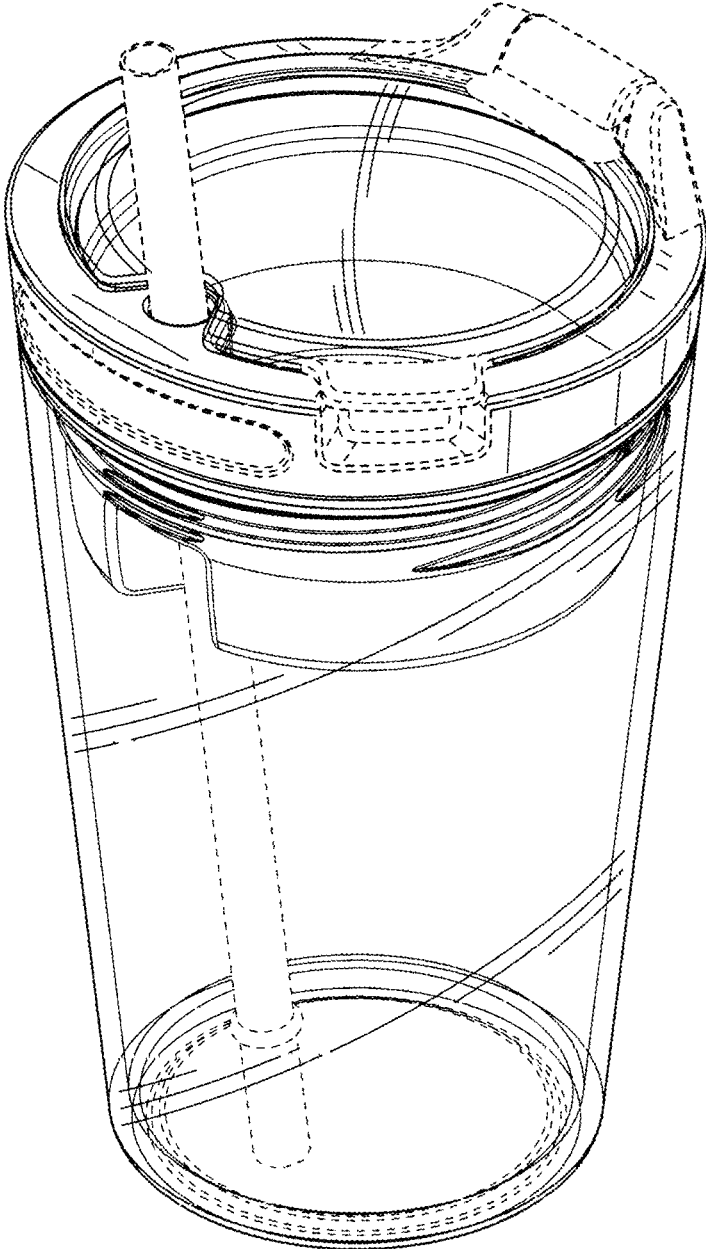


FIG. 1

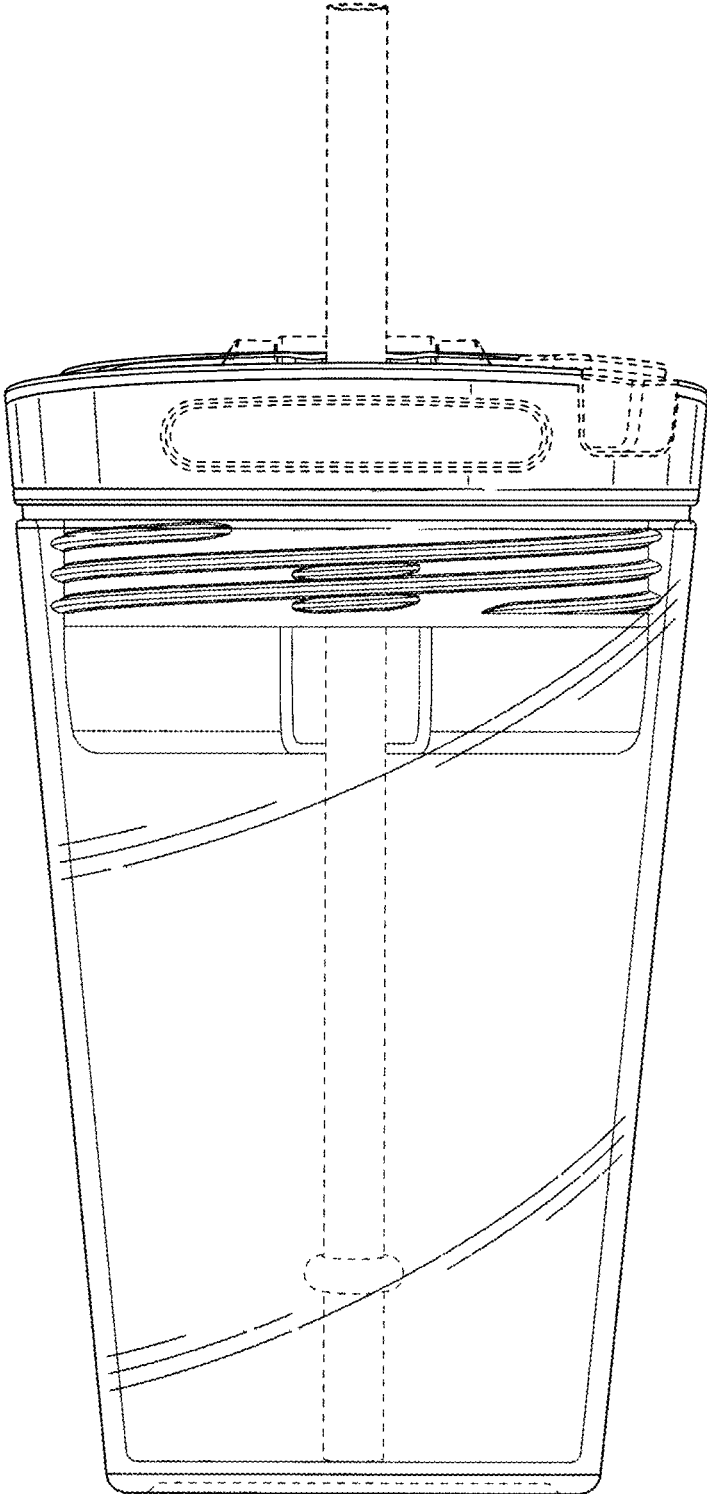


FIG. 2

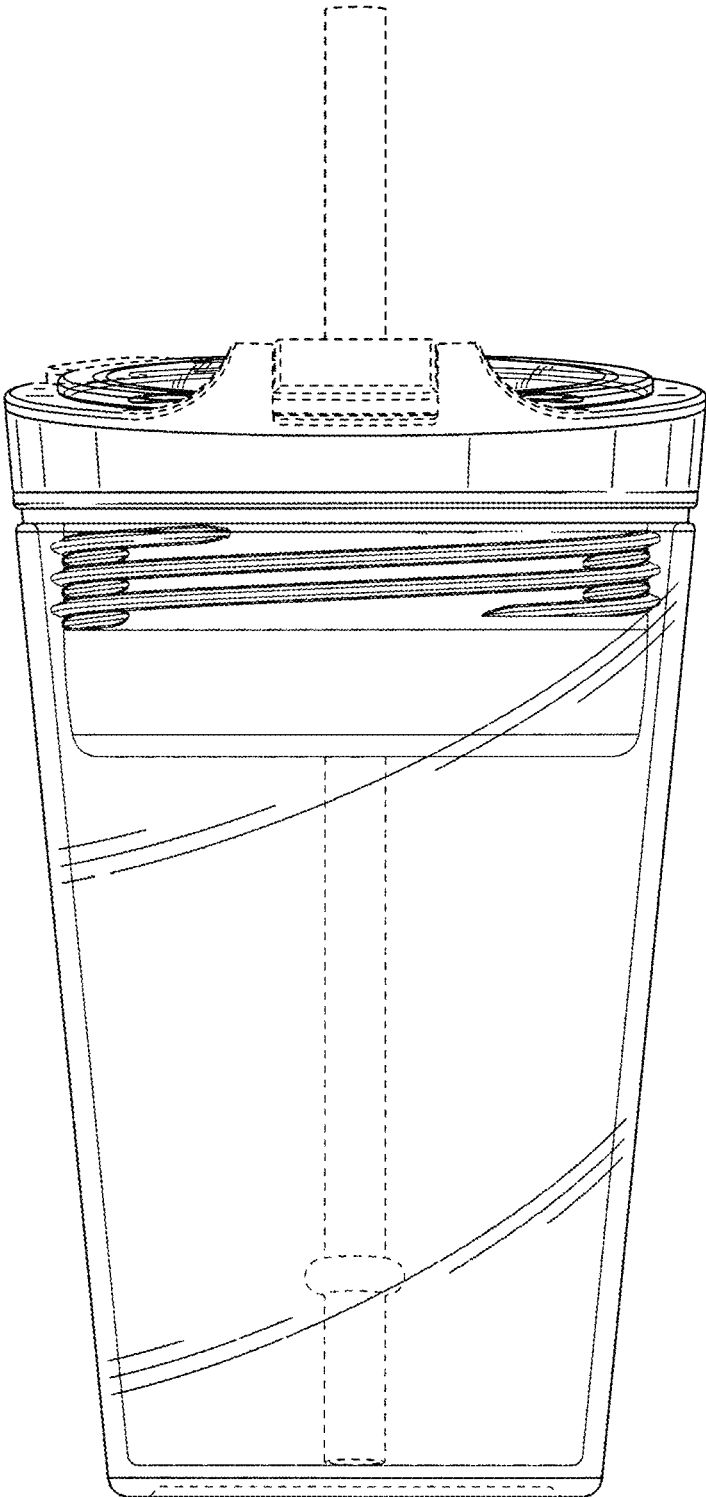


FIG. 3

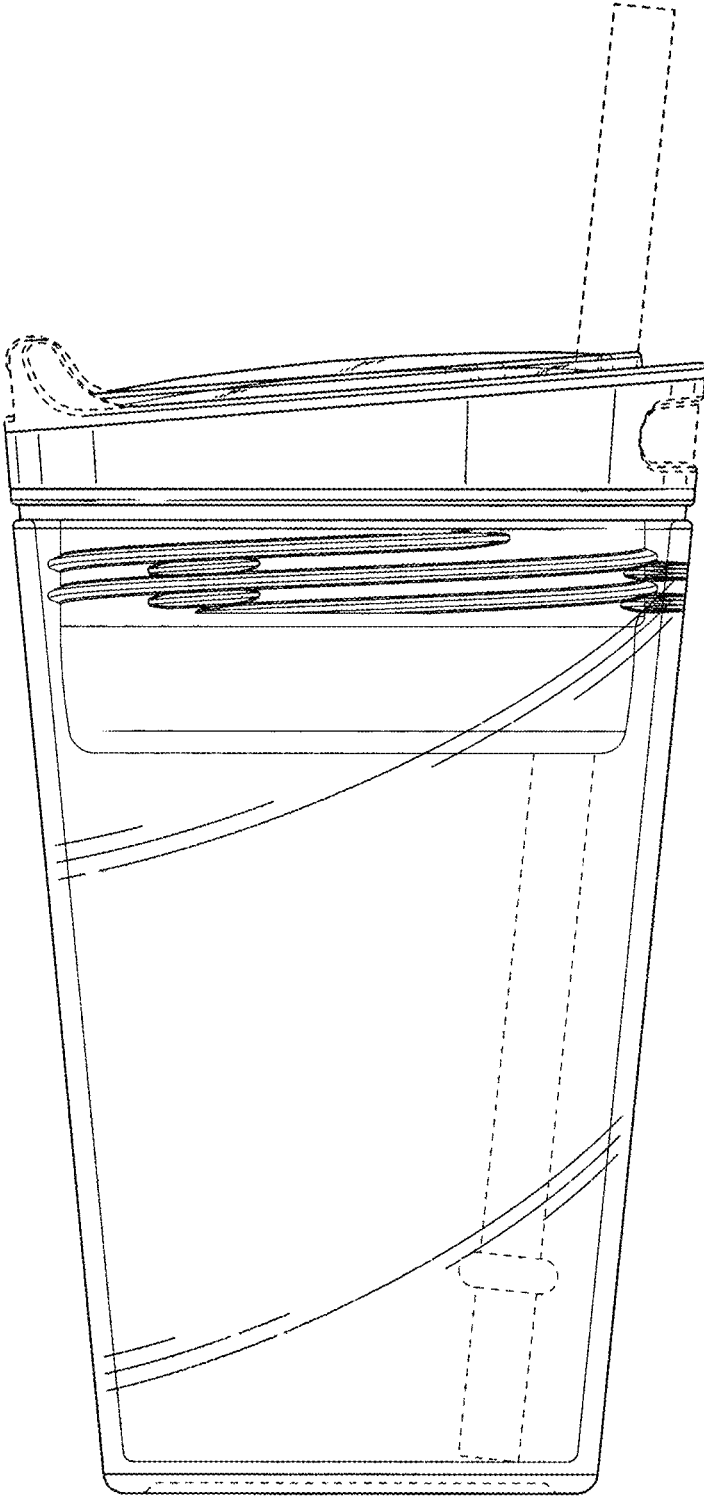


FIG. 4

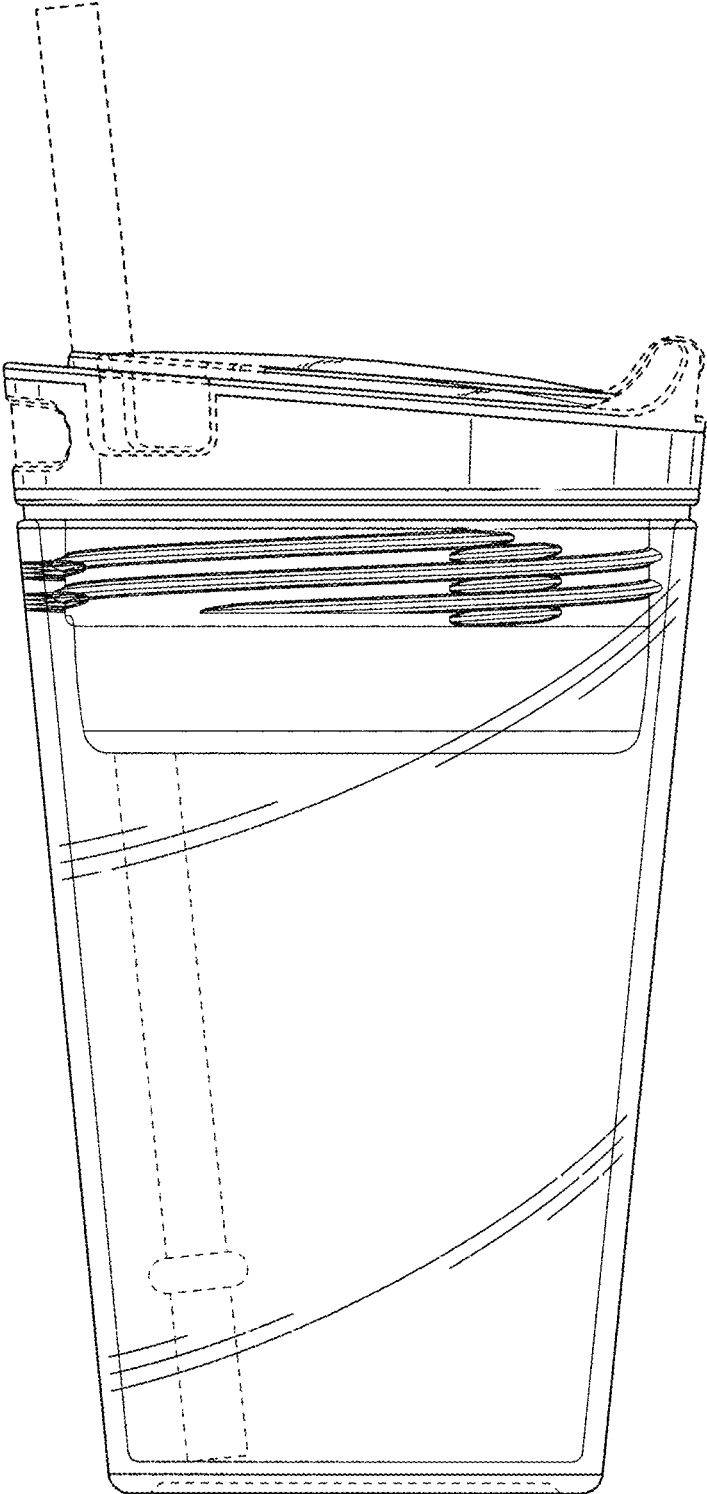


FIG. 5

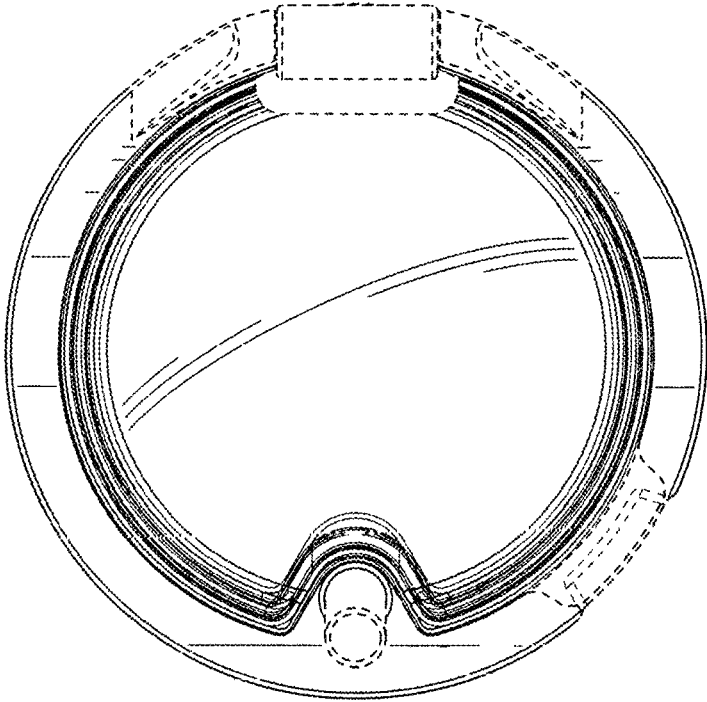


FIG. 6

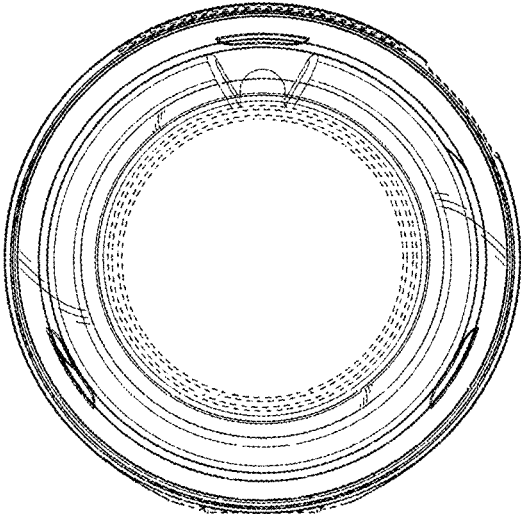


FIG. 7