



US00D735883S

(12) **United States Design Patent**  
**Bauer et al.**

(10) **Patent No.:** **US D735,883 S**

(45) **Date of Patent:** **\*\* Aug. 4, 2015**

- (54) **SAMPLE PREPARATION INSTRUMENT**
- (71) Applicant: **ILLUMINA, INC.**, San Diego, CA (US)
- (72) Inventors: **William Craig Bauer**, Raleigh, NC (US); **Brent Nobles**, Raleigh, NC (US); **Jarred deVille**, Raleigh, NC (US); **Erik Allegoren**, San Diego, CA (US)
- (73) Assignee: **ILLUMINA, INC.**, San Diego, CA (US)
- (\*\*) Term: **14 Years**

|                |         |                        |           |
|----------------|---------|------------------------|-----------|
| D424,956 S *   | 5/2000  | von Buelow et al. .... | D10/81    |
| D430,304 S *   | 8/2000  | Oonuma et al. ....     | D24/233   |
| 6,180,409 B1 * | 1/2001  | Howard et al. ....     | 436/46    |
| D489,816 S *   | 5/2004  | Ross .....             | D24/107   |
| 6,880,384 B2 * | 4/2005  | Hvidtfeldt et al. .... | 73/64.56  |
| D508,565 S *   | 8/2005  | Nepkin et al. ....     | D24/186   |
| D523,153 S *   | 6/2006  | Akashi et al. ....     | D24/232   |
| D527,464 S *   | 8/2006  | Ina et al. ....        | D24/232   |
| D537,951 S *   | 3/2007  | Okamoto et al. ....    | D24/233   |
| D549,827 S *   | 8/2007  | Maeno et al. ....      | D24/169   |
| D556,914 S *   | 12/2007 | Okamoto et al. ....    | D24/233   |
| D560,131 S *   | 1/2008  | Hu .....               | D10/81    |
| 7,319,031 B2 * | 1/2008  | Vent et al. ....       | 435/286.2 |

(Continued)

*Primary Examiner* — Holly Baynham

*Assistant Examiner* — Rhea Shields

(74) *Attorney, Agent, or Firm* — Knobbe Martens Olson & Bear LLP

- (21) Appl. No.: **29/477,989**
- (22) Filed: **Dec. 30, 2013**
- (51) **LOC (10) Cl.** ..... **24-00**
- (52) **U.S. Cl.**  
USPC ..... **D24/234; D24/231**
- (58) **Field of Classification Search**  
USPC ..... D24/234, 216, 169, 233, 232, 186, 107, D24/231; D10/81, 94; 702/19, 32, 21; 422/65, 64, 63, 403; 73/23.41, 64.56; 435/325, 286.2; 436/164, 46; 378/79  
CPC ..... G06F 19/18; G01N 30/8641; G01N 15/1227; G01N 35/026; G01N 35/025; G01N 35/00029; G01N 21/8483; G01N 30/12; G01N 1/2035; G01N 31/22; G01N 1/312; G01N 23/20025; A61K 38/00; B01L 2300/0829  
See application file for complete search history.

(57) **CLAIM**

The ornamental design for a sample preparation instrument, as shown and described.

**DESCRIPTION**

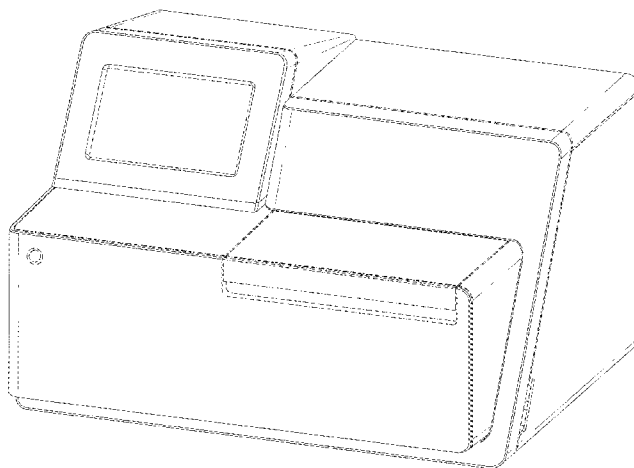
FIG. 1 is a perspective view of a sample preparation instrument in accordance with the present invention.  
 FIG. 2 is a front view of the sample preparation instrument of FIG. 1.  
 FIG. 3 is a rear view of the sample preparation instrument of FIG. 1.  
 FIG. 4 is a left side view of the sample preparation instrument of FIG. 1.  
 FIG. 5 is a right side view of the sample preparation instrument of FIG. 1.  
 FIG. 6 is a top view of the sample preparation instrument of FIG. 1; and,  
 FIG. 7 is a bottom view of the sample preparation instrument of FIG. 1.  
 In the drawings, the broken lines are for the purpose of illustrating environment only and form no part of the claimed design.

(56) **References Cited**

**U.S. PATENT DOCUMENTS**

|               |         |                       |         |
|---------------|---------|-----------------------|---------|
| 3,922,532 A * | 11/1975 | Kitchener et al. .... | 702/21  |
| D303,007 S *  | 8/1989  | Flesher et al. ....   | D24/233 |
| D307,321 S *  | 4/1990  | Bransky et al. ....   | D24/186 |
| 5,397,537 A * | 3/1995  | Kanda et al. ....     | 422/403 |
| D368,143 S *  | 3/1996  | Willows et al. ....   | D24/233 |
| D378,782 S *  | 4/1997  | LaBarbera et al. .... | D24/232 |
| D399,959 S *  | 10/1998 | Prokop et al. ....    | D24/169 |
| D410,080 S *  | 5/1999  | Heidsiek et al. ....  | D24/107 |
| D421,653 S *  | 3/2000  | Purcell .....         | D24/231 |

**1 Claim, 7 Drawing Sheets**



(56)

References Cited

U.S. PATENT DOCUMENTS

|              |      |         |                      |       |          |
|--------------|------|---------|----------------------|-------|----------|
| D561,349     | S *  | 2/2008  | Levin                | ..... | D24/232  |
| D569,526     | S *  | 5/2008  | Duffy et al.         | ..... | D24/232  |
| D571,474     | S *  | 6/2008  | Sjo-Gaber et al.     | ..... | D24/186  |
| D581,823     | S *  | 12/2008 | Mori et al.          | ..... | D10/81   |
| D599,234     | S *  | 9/2009  | Ito                  | ..... | D10/81   |
| 7,603,888    | B2 * | 10/2009 | Zilioli              | ..... | 73/23.41 |
| D607,569     | S *  | 1/2010  | Yukikado et al.      | ..... | D24/186  |
| D621,523     | S *  | 8/2010  | Onuma et al.         | ..... | D24/234  |
| 7,873,143    | B2 * | 1/2011  | Dunham et al.        | ..... | 378/79   |
| D638,545     | S *  | 5/2011  | Okawa et al.         | ..... | D24/186  |
| D644,544     | S *  | 9/2011  | Yukikado             | ..... | D10/81   |
| D644,546     | S *  | 9/2011  | Yukikado             | ..... | D10/94   |
| 8,046,175    | B2 * | 10/2011 | Kuo et al.           | ..... | 702/19   |
| D649,075     | S *  | 11/2011 | Chan et al.          | ..... | D10/81   |
| D655,421     | S *  | 3/2012  | Lee et al.           | ..... | D24/216  |
| D657,703     | S *  | 4/2012  | Stegmann et al.      | ..... | D10/81   |
| 8,298,484    | B2 * | 10/2012 | Takagi et al.        | ..... | 422/65   |
| D670,402     | S *  | 11/2012 | Shibata              | ..... | D24/216  |
| D680,657     | S *  | 4/2013  | Lee et al.           | ..... | D24/216  |
| D681,233     | S *  | 4/2013  | Thomas et al.        | ..... | D24/233  |
| D683,641     | S *  | 6/2013  | Stegmann et al.      | ..... | D10/81   |
| D687,968     | S *  | 8/2013  | Trigg et al.         | ..... | D24/232  |
| D688,804     | S *  | 8/2013  | Kim et al.           | ..... | D24/216  |
| D689,193     | S *  | 9/2013  | Shinohara et al.     | ..... | D24/216  |
| D691,732     | S *  | 10/2013 | Shibata et al.       | ..... | D24/216  |
| D693,928     | S *  | 11/2013 | Chung et al.         | ..... | D24/169  |
| D702,852     | S *  | 4/2014  | Podhasky et al.      | ..... | D24/216  |
| D707,843     | S *  | 6/2014  | Meziere              | ..... | D24/216  |
| D708,757     | S *  | 7/2014  | Shibata              | ..... | D24/216  |
| D709,209     | S *  | 7/2014  | Shibata              | ..... | D24/216  |
| D716,453     | S *  | 10/2014 | Hafellner            | ..... | D24/169  |
| D717,460     | S *  | 11/2014 | Manian               | ..... | D24/216  |
| D720,079     | S *  | 12/2014 | Oonuma et al.        | ..... | D24/216  |
| D722,703     | S *  | 2/2015  | Fuller et al.        | ..... | D24/216  |
| 2007/0104614 | A1 * | 5/2007  | Wang et al.          | ..... | 422/64   |
| 2008/0019868 | A1 * | 1/2008  | Okumoto et al.       | ..... | 422/63   |
| 2009/0269841 | A1 * | 10/2009 | Wojciechowski et al. | ..... | 435/325  |
| 2009/0280572 | A1 * | 11/2009 | Ribeiro et al.       | ..... | 436/164  |
| 2011/0178723 | A1 * | 7/2011  | Sharrock et al.      | ..... | 702/32   |

\* cited by examiner

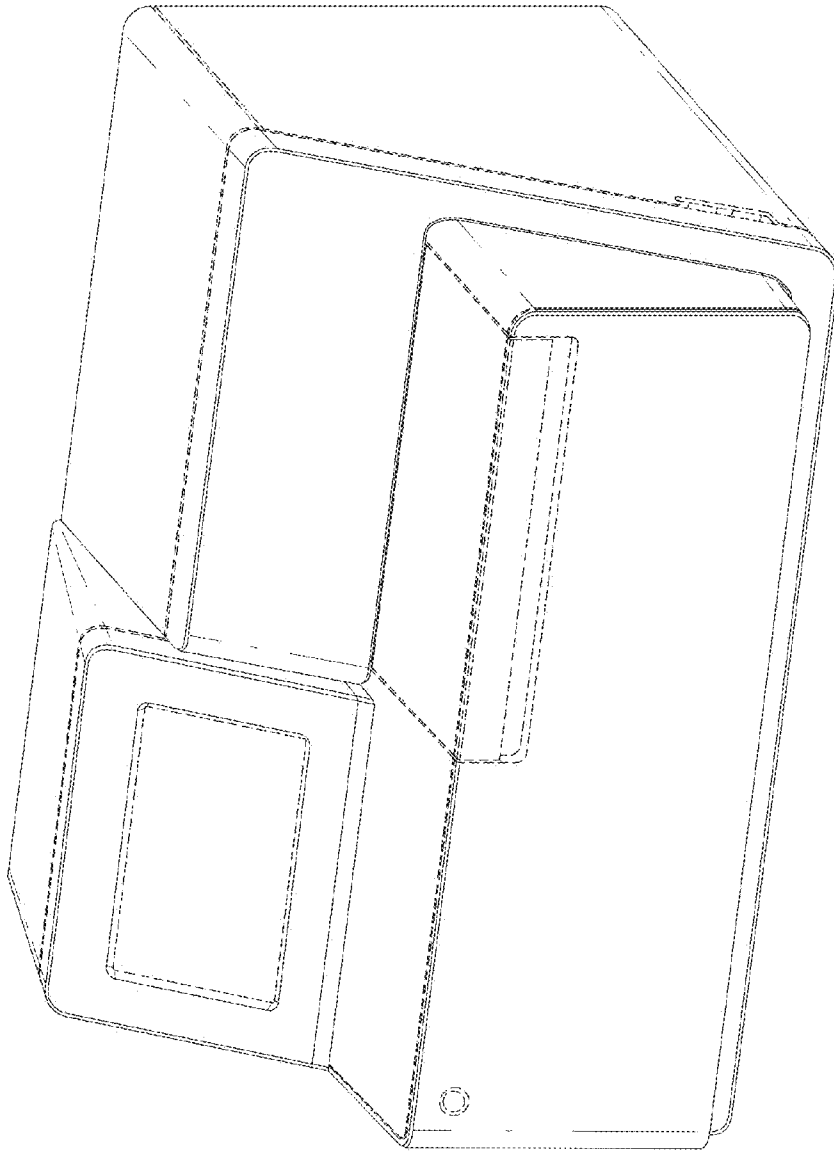


FIG. 1

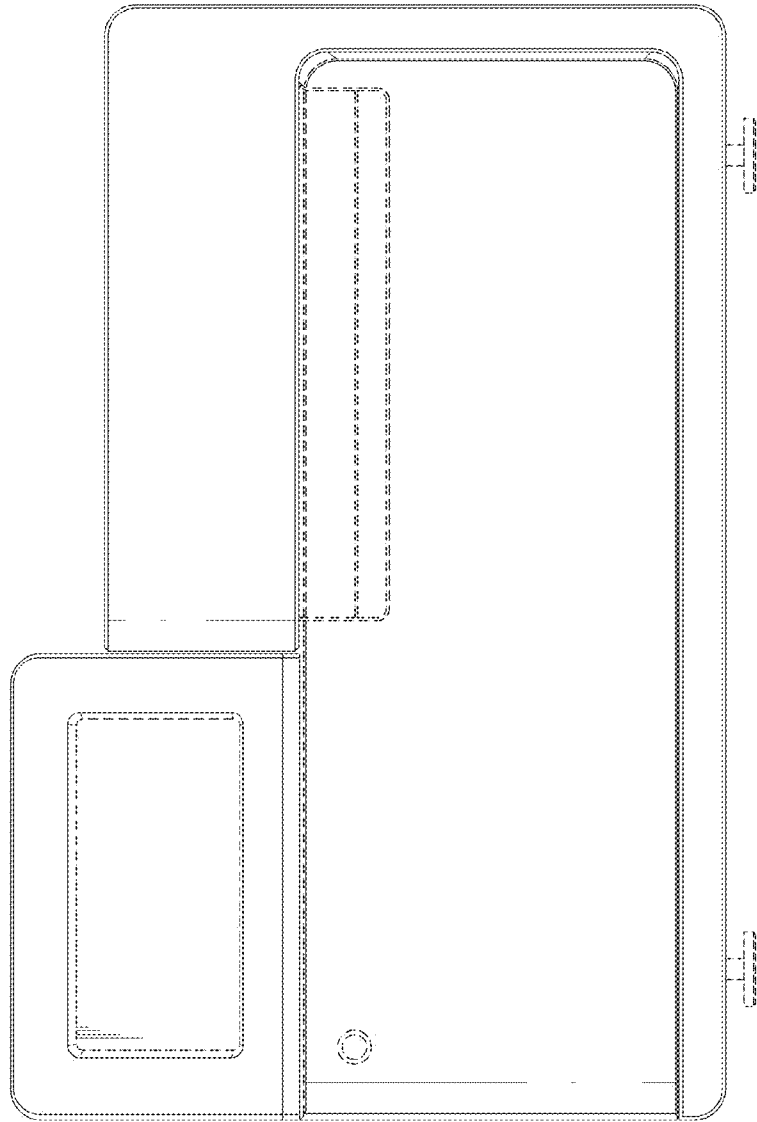


FIG. 2

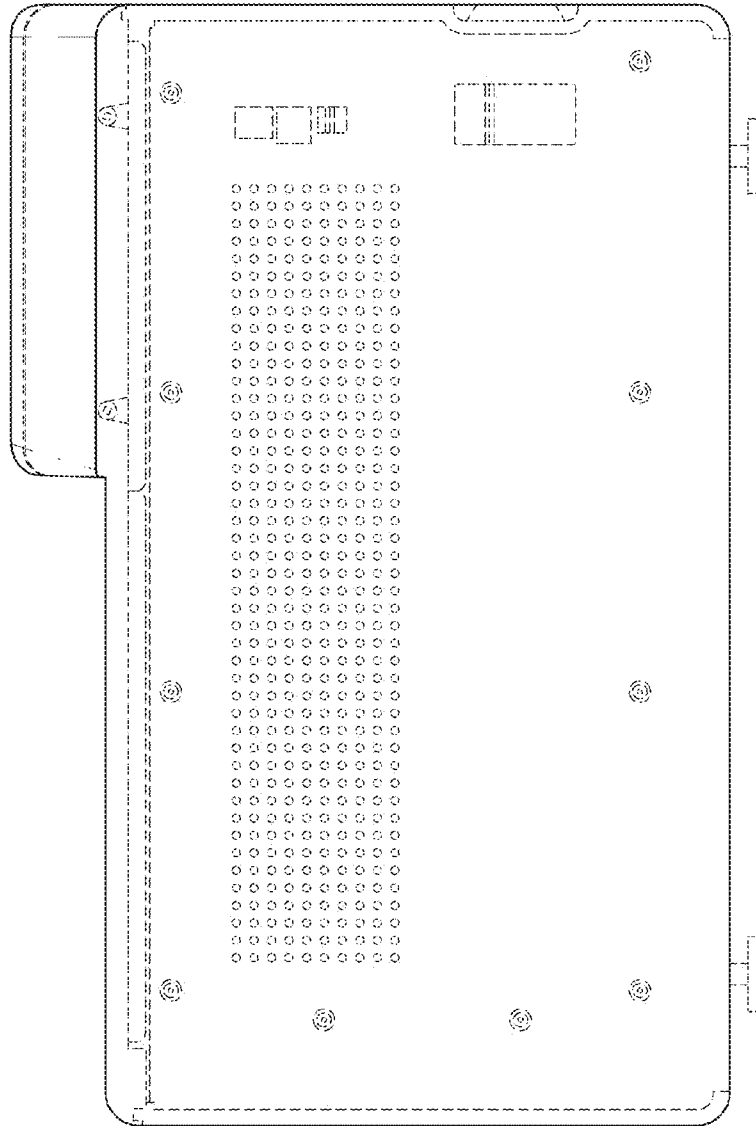


FIG. 3

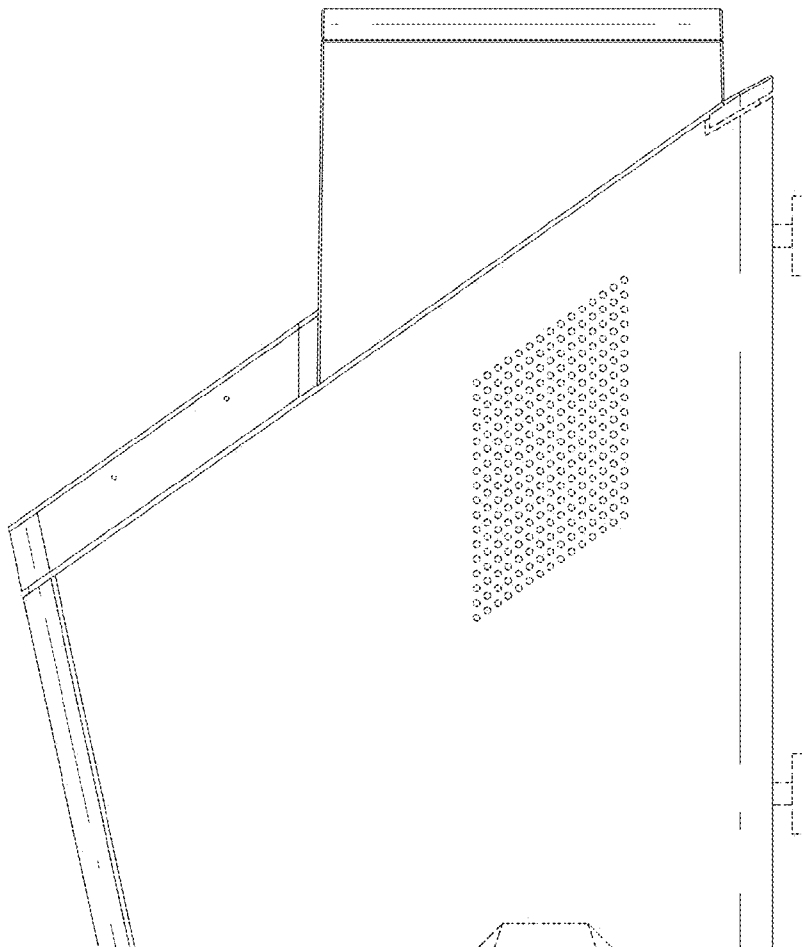


FIG. 4

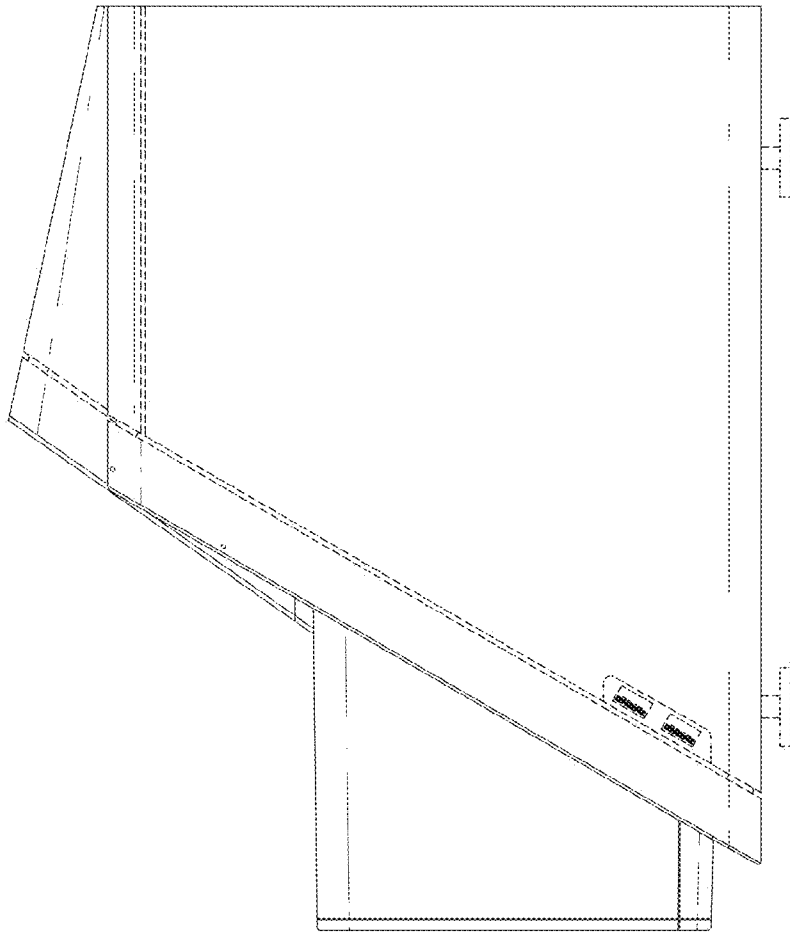


FIG. 5

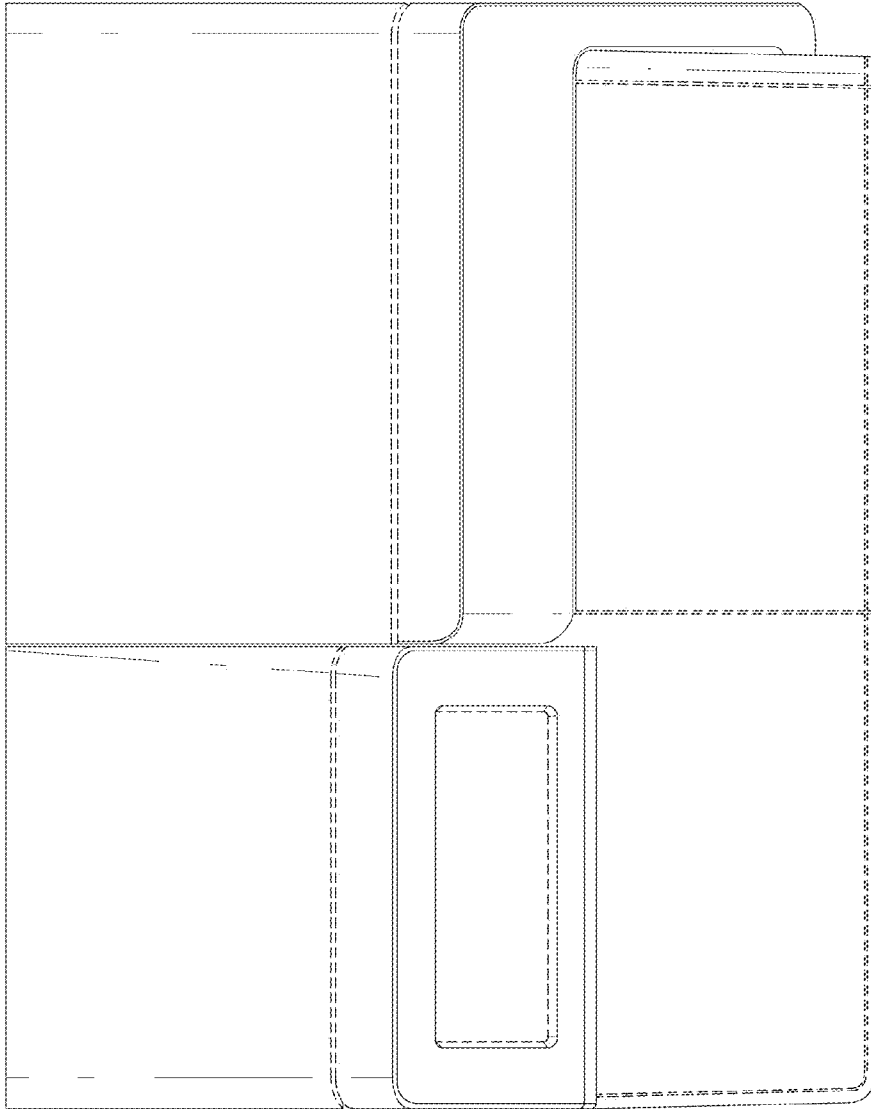


FIG. 6



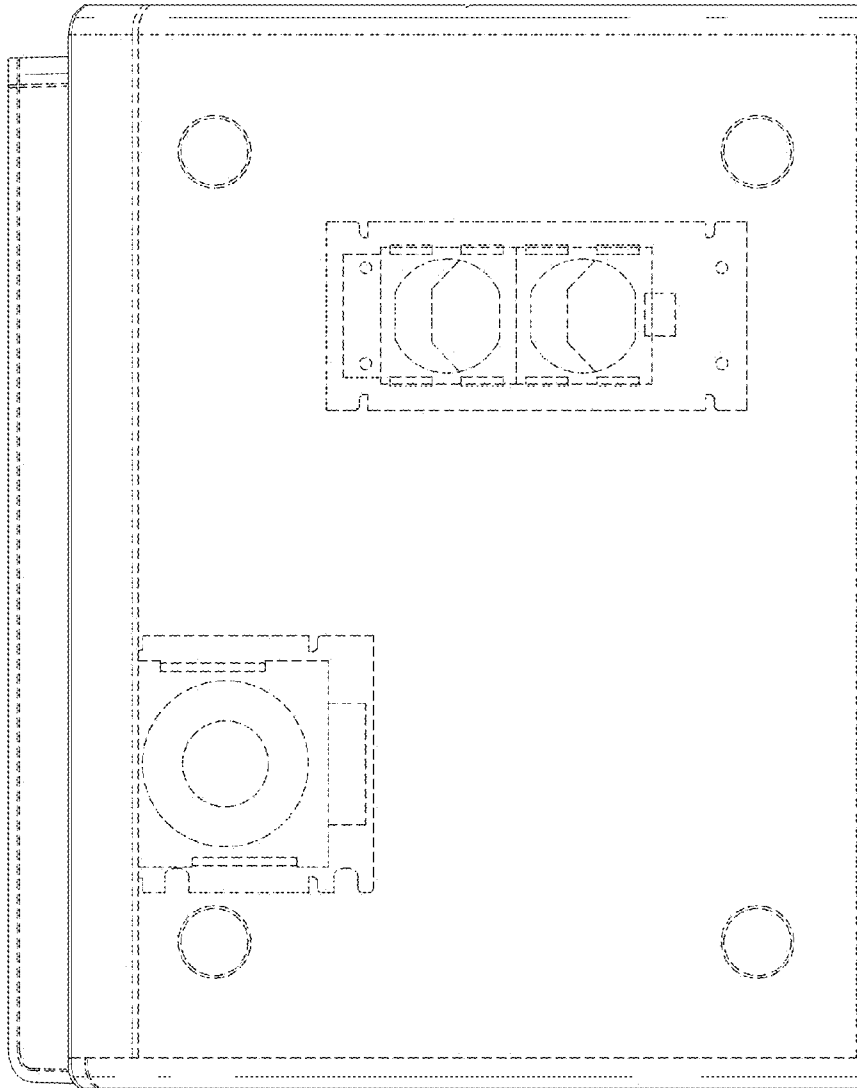


FIG. 7