



US00D906607S

(12) **United States Design Patent**
Chen

(10) **Patent No.:** **US D906,607 S**

(45) **Date of Patent:** **** *Dec. 29, 2020**

(54) **ROBOTIC VACUUM CLEANER**

(71) Applicant: **Zhuhai Kaihao Electronics Co., Ltd.**,
Zhuhai (CN)

(72) Inventor: **Xiaoxia Chen**, Zhuhai (CN)

(*) Notice: This patent is subject to a terminal disclaimer.

(**) Term: **15 Years**

(21) Appl. No.: **29/688,066**

(22) Filed: **Apr. 18, 2019**

(51) **LOC (12) Cl.** **15-05**

(52) **U.S. Cl.**
USPC **D32/21**

(58) **Field of Classification Search**

USPC D32/21-24, 31
CPC E04H 4/1654; A47L 9/2842; A47L 9/26;
A47L 9/325; A47L 9/009; A47L 11/34;
A47L 5/362; A47L 5/365; A47L 7/0004;
A47L 7/0019; G06N 3/008

See application file for complete search history.

(56) **References Cited**

U.S. PATENT DOCUMENTS

D556,961 S * 12/2007 Swyst D15/199
D659,311 S 5/2012 Geringer et al.
D661,032 S 5/2012 Lee et al.

D665,547 S * 8/2012 Nam D32/21
D669,235 S * 10/2012 Bassett D32/21
D670,877 S * 11/2012 Geringer D32/21
D690,478 S * 9/2013 Li D32/21
D704,400 S 5/2014 Shin et al.
D714,002 S * 9/2014 Casini D32/21
D771,884 S * 11/2016 Ninomiya D32/21
9,931,007 B2 * 4/2018 Morin A47L 9/14
D835,869 S * 12/2018 Li D32/21
D840,617 S * 2/2019 Dou D32/21
D843,671 S * 3/2019 Chei D32/21

* cited by examiner

Primary Examiner — Ruth McInroy

(74) *Attorney, Agent, or Firm* — Wayne V. Harper

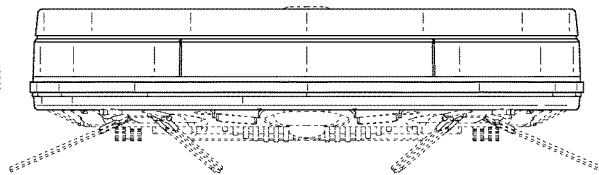
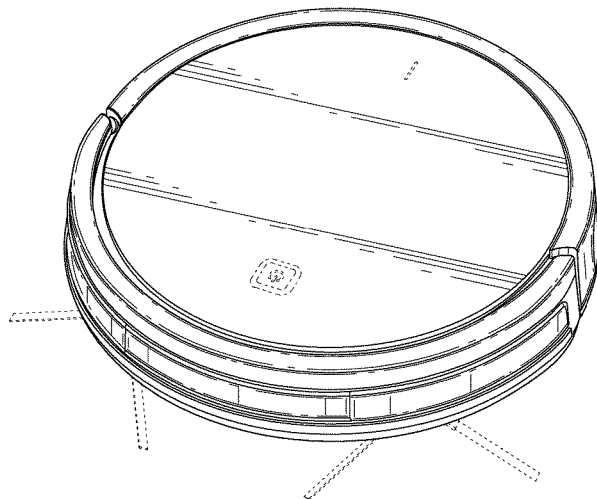
(57) **CLAIM**

I claim the ornamental design for a robotic vacuum cleaner, as shown and described.

DESCRIPTION

FIG. 1 is a perspective view of a robotic vacuum cleaner showing my new design;
FIG. 2 is a front view thereof;
FIG. 3 is a rear view thereof;
FIG. 4 is a left-side view thereof;
FIG. 5 is a right-side view thereof;
FIG. 6 is a top view thereof; and,
FIG. 7 is a bottom view thereof.
The broken lines are only for environmental purposes and form no part of the claimed design.

1 Claim, 5 Drawing Sheets



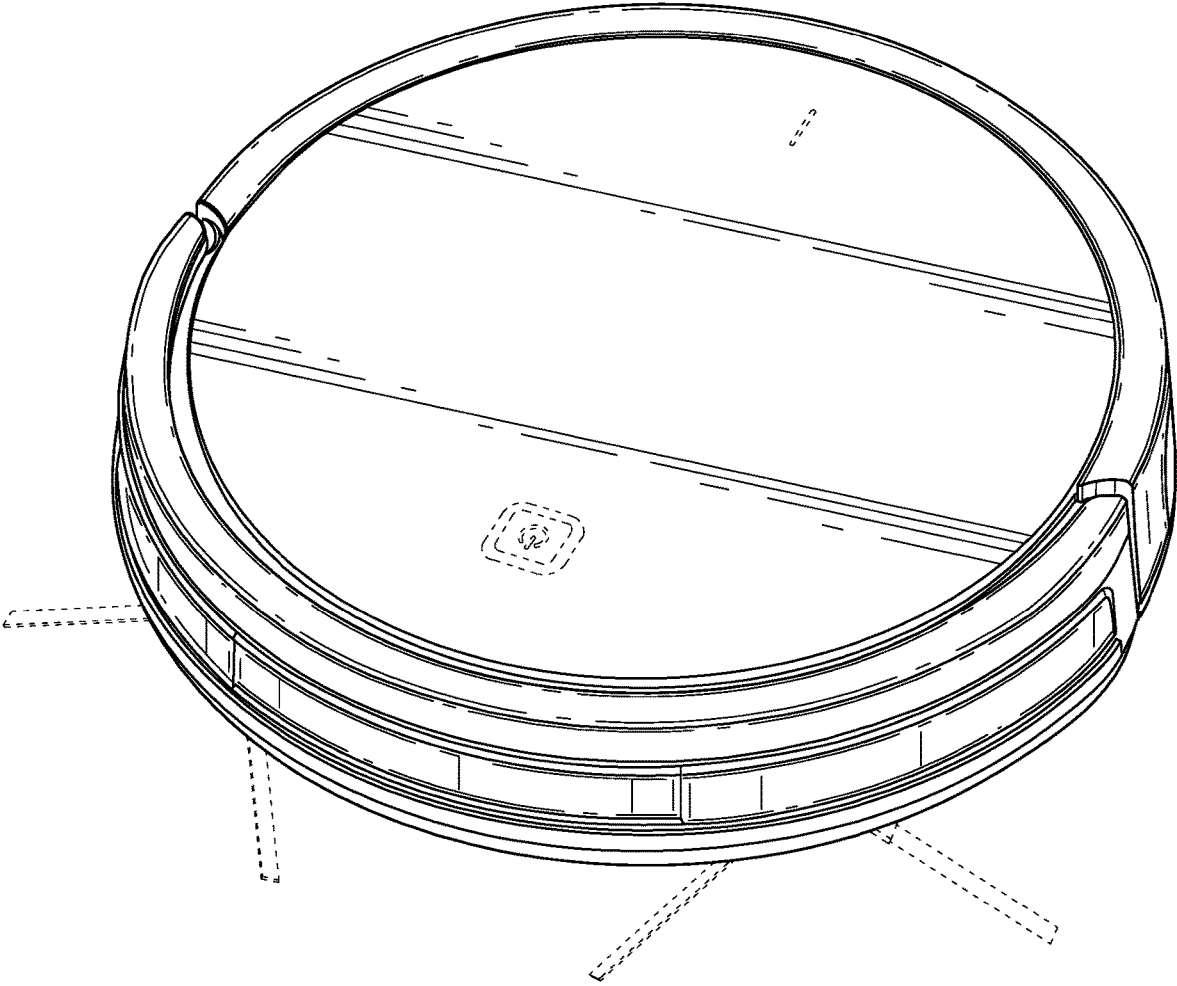


FIG. 1

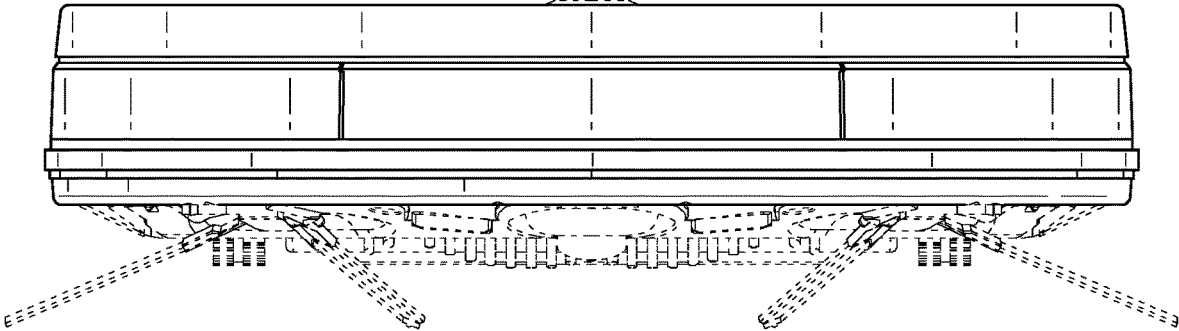


FIG. 2

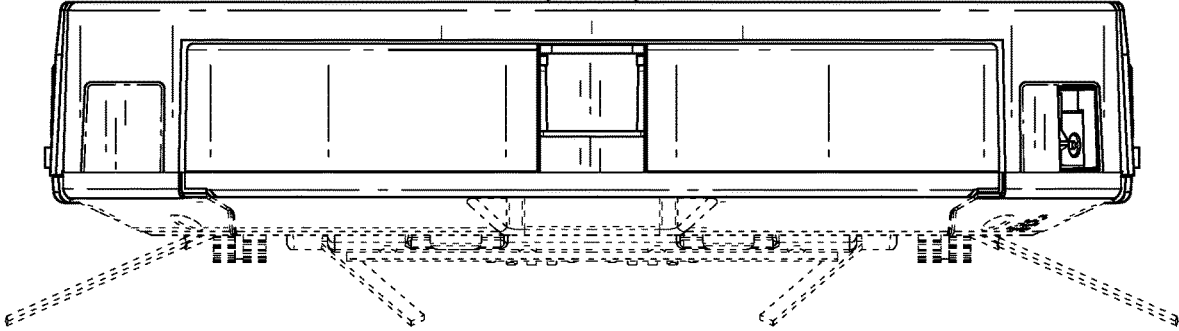


FIG. 3

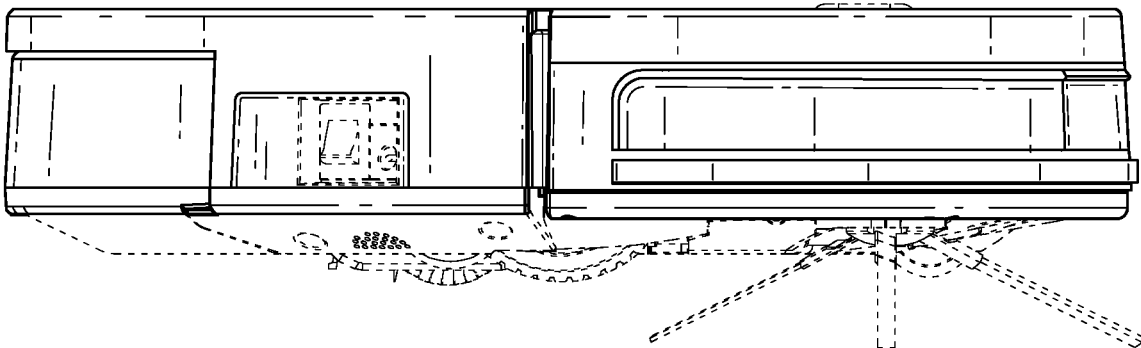


FIG. 4

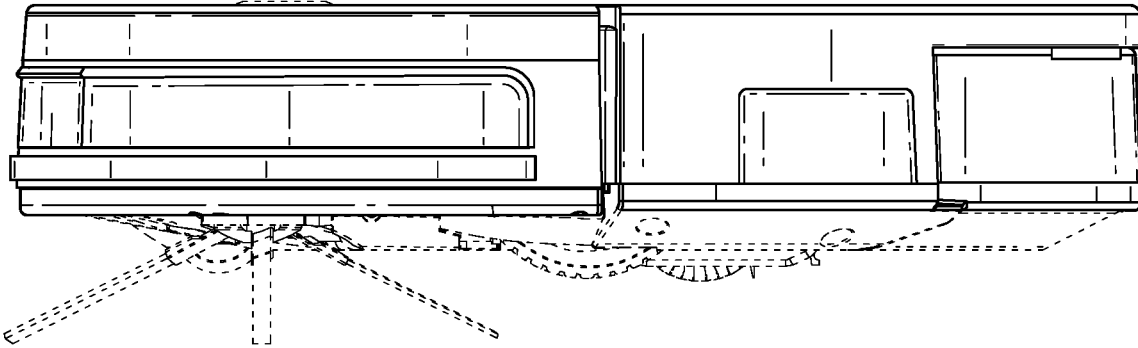


FIG. 5

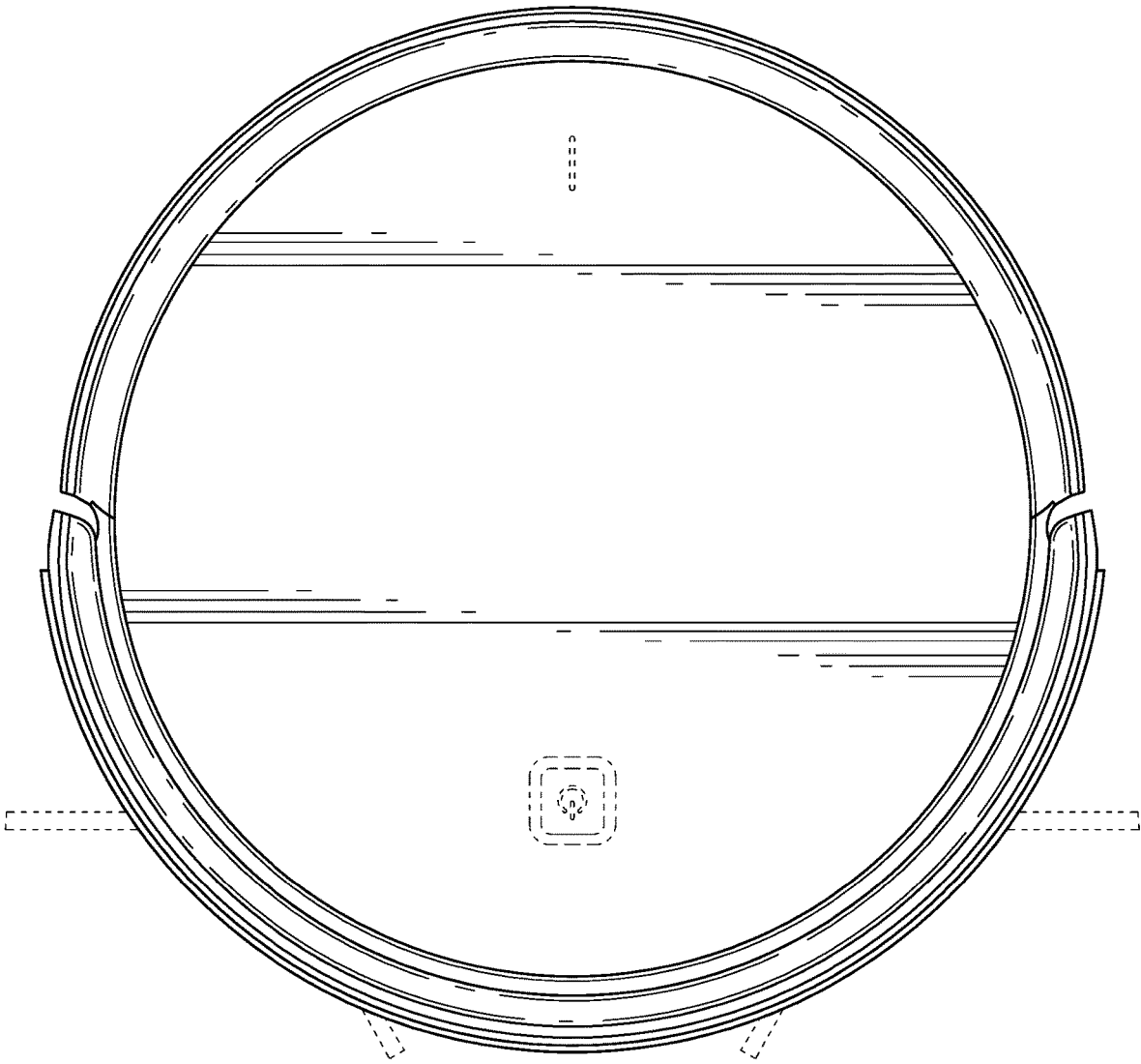


FIG. 6

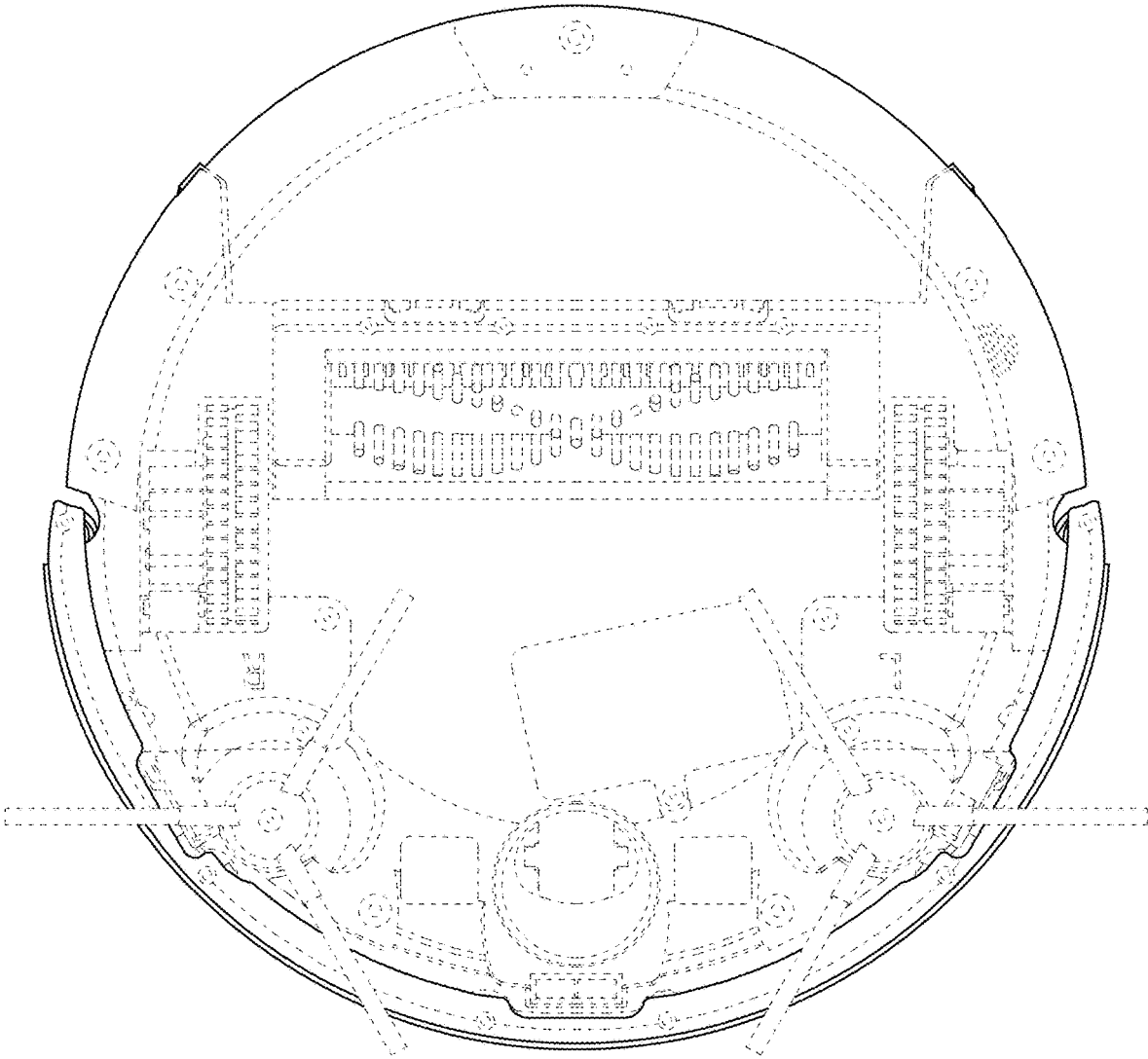


FIG. 7