



US00D749198S

(12) **United States Design Patent**  
**von Lepel et al.**

(10) **Patent No.:** **US D749,198 S**

(45) **Date of Patent:** **\*\* Feb. 9, 2016**

(54) **VENT CAP**

(71) Applicant: **W. L. Gore & Associates GmbH**,  
Putzbrunn (DE)

(72) Inventors: **Henning von Lepel**, Bad Tolz (DE);  
**Benjamin Drieske**, Unterhaching (DE);  
**Guenter Treffert**, Grafing (DE); **Mike Seybel**, Munich (DE)

(73) Assignee: **W. L. Gores & Associates GmbH** (DE)

(\*\*) Term: **14 Years**

(21) Appl. No.: **29/512,016**

(22) Filed: **Dec. 16, 2014**

**Related U.S. Application Data**

(62) Division of application No. 29/482,918, filed on Feb. 24, 2014.

(51) **LOC (10) Cl.** ..... **23-01**

(52) **U.S. Cl.**  
USPC ..... **D23/260**

(58) **Field of Classification Search**  
USPC ..... D23/259, 260, 261, 262, 263, 264, 265;  
138/82, 89.3, 90; D9/443, 452;  
D12/197; 220/203.14, 304, 368;  
429/54, 82, 86, 89  
See application file for complete search history.

(56) **References Cited**

**U.S. PATENT DOCUMENTS**

2,835,720	A *	5/1958	Buskirk	.....	429/89
3,083,255	A *	3/1963	Slautterback	.....	429/89
3,083,256	A *	3/1963	Slautterback	.....	429/89
3,108,911	A *	10/1963	Miller	.....	429/89
4,072,799	A *	2/1978	Leeson et al.	.....	429/82
4,165,816	A *	8/1979	Tupper	.....	220/203.14
4,337,875	A *	7/1982	Lyons	.....	220/368

4,416,391	A *	11/1983	Sarrazin	.....	220/304
5,108,853	A *	4/1992	Feres	.....	429/86
D363,767	S *	10/1995	Swaim	.....	D23/260
D375,929	S *	11/1996	Lujack et al.	.....	D12/197
D403,752	S *	1/1999	Rademaker	.....	D23/260
D422,255	S *	4/2000	Gonzales	.....	D12/197
6,062,263	A *	5/2000	Donovan et al.	.....	138/89
D431,512	S *	10/2000	Pink	.....	D12/197
D567,728	S *	4/2008	Huston	.....	D12/197

(Continued)

**FOREIGN PATENT DOCUMENTS**

DE	10 2007 050 921	A1	5/2009
EP	0 377 067	A1	1/1989

(Continued)

*Primary Examiner* — John Windmuller

*Assistant Examiner* — Steven Czyz

(74) *Attorney, Agent, or Firm* — Carol A. Lewis White

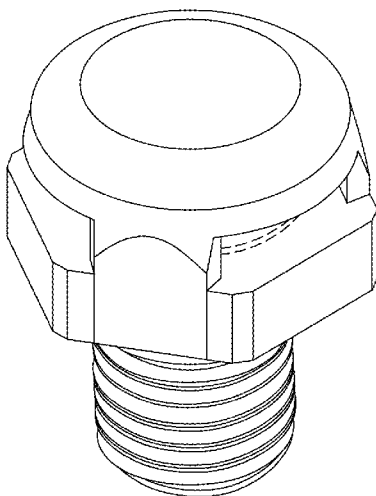
(57) **CLAIM**

What is claimed is a design of a vent cap, as shown and described.

**DESCRIPTION**

FIG. 1 is an isometric view of a vent cap design of the present invention;  
FIG. 2 is a side perspective view of the vent cap design of FIG. 1;  
FIG. 3 is a further side perspective view of the vent cap design of FIG. 1;  
FIG. 4 is a further side perspective view of the vent cap design of FIG. 1;  
FIG. 5 is a further side perspective view of the vent cap design of FIG. 1;  
FIG. 6 is a top view of the vent cap design of FIG. 1; and,  
FIG. 7 is a bottom view of the vent cap design of FIG. 1.  
The broken lines depict portions of the article that form no part of the claimed design.

**1 Claim, 7 Drawing Sheets**



(56)

**References Cited**

**FOREIGN PATENT DOCUMENTS**

U.S. PATENT DOCUMENTS

D614,267 S \* 4/2010 Breda ..... D23/261  
 D688,945 S \* 9/2013 Kim ..... D9/452  
 2004/0065376 A1 \* 4/2004 Kristofferson et al. .... 138/89  
 2010/0068431 A1 3/2010 Bansal et al.  
 2010/0227543 A1 9/2010 Furuyama  
 2011/0275305 A1 11/2011 Egersdoerfer et al.  
 2014/0014662 A1 \* 1/2014 Hensel ..... 220/367.1  
 2014/0141292 A1 \* 5/2014 Lee et al. .... 429/54

EP 1 939 523 A1 7/2008  
 EP 1 964 658 A1 9/2008  
 EP 1 270 207 B1 3/2010  
 EP 1 955 901 B1 5/2010  
 EP 2 236 918 A2 10/2010  
 EP 1 363 069 B1 2/2011  
 EP 2 292 473 A1 3/2011  
 EP 2 441 625 A1 4/2012  
 WO WO 2011/114640 A1 3/2011

\* cited by examiner

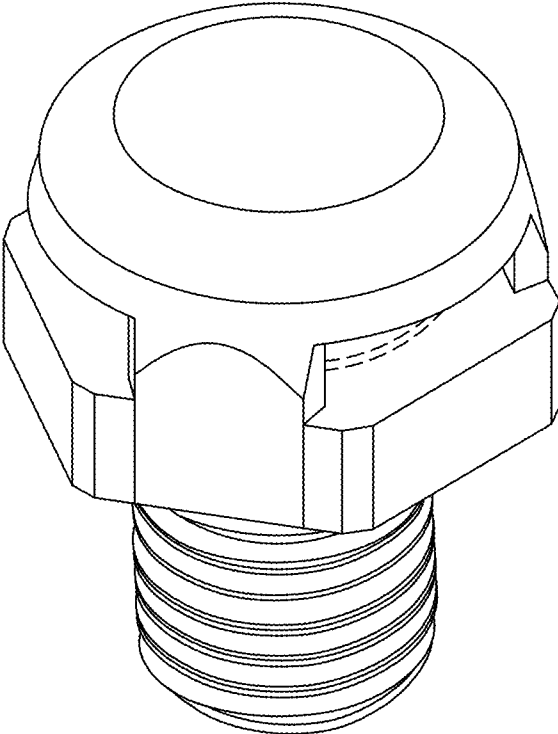


FIG. 1

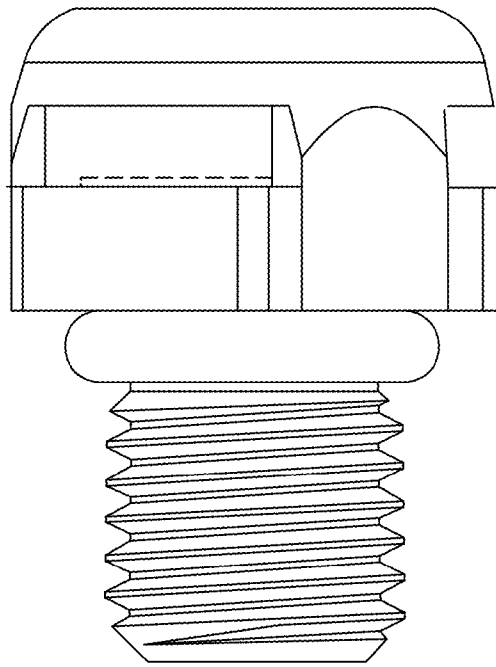


FIG. 2

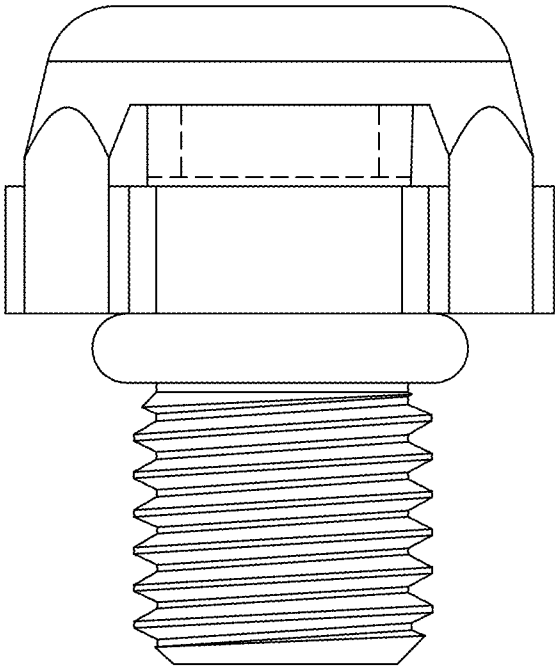


FIG. 3

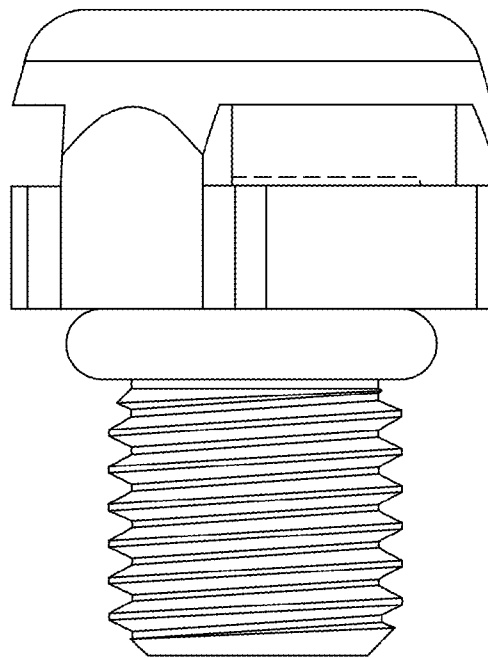


FIG. 4

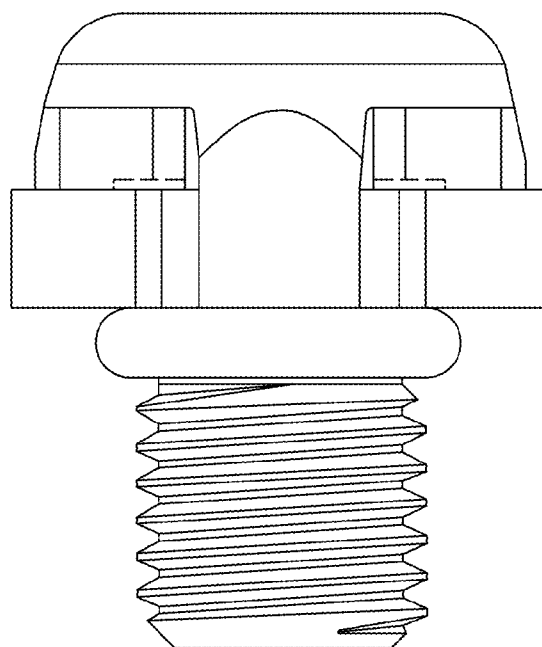


FIG. 5

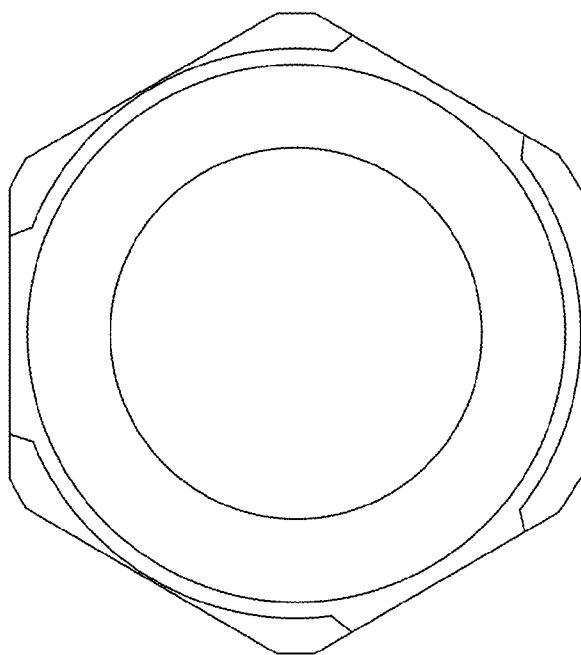


FIG. 6



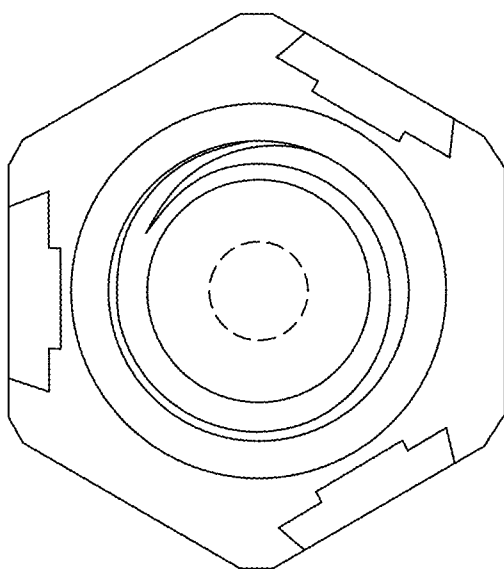


FIG. 7