



US00D356649S

# United States Patent [19]

[11] Patent Number: **Des. 356,649**

Yuen

[45] Date of Patent: **\*\* Mar. 21, 1995**

- [54] **COMBINED INCANDESCENT LAMP AND FLUORESCENT LANTERN**
- [75] Inventor: **Se K. Yuen, Kowloon, Hong Kong**
- [73] Assignee: **John Manufacturing Limited, Kowloon, Hong Kong**
- [\*\*] Term: **14 Years**

*Primary Examiner*—Susan J. Lucas  
*Attorney, Agent, or Firm*—Merchant, Gould, Smith, Edell, Welter & Schmidt

- [21] Appl. No.: **8,063**
- [22] Filed: **May 6, 1993**

### [57] CLAIM

The ornamental design for a combined incandescent lamp and fluorescent lantern, as shown and described.

### [30] Foreign Application Priority Data

- Jan. 11, 1993 [GB] United Kingdom ..... 2028287
- [52] U.S. Cl. .... **D26/44; D26/42**
- [58] Field of Search ..... D26/37-50;  
362/157, 158, 183, 184, 188-203

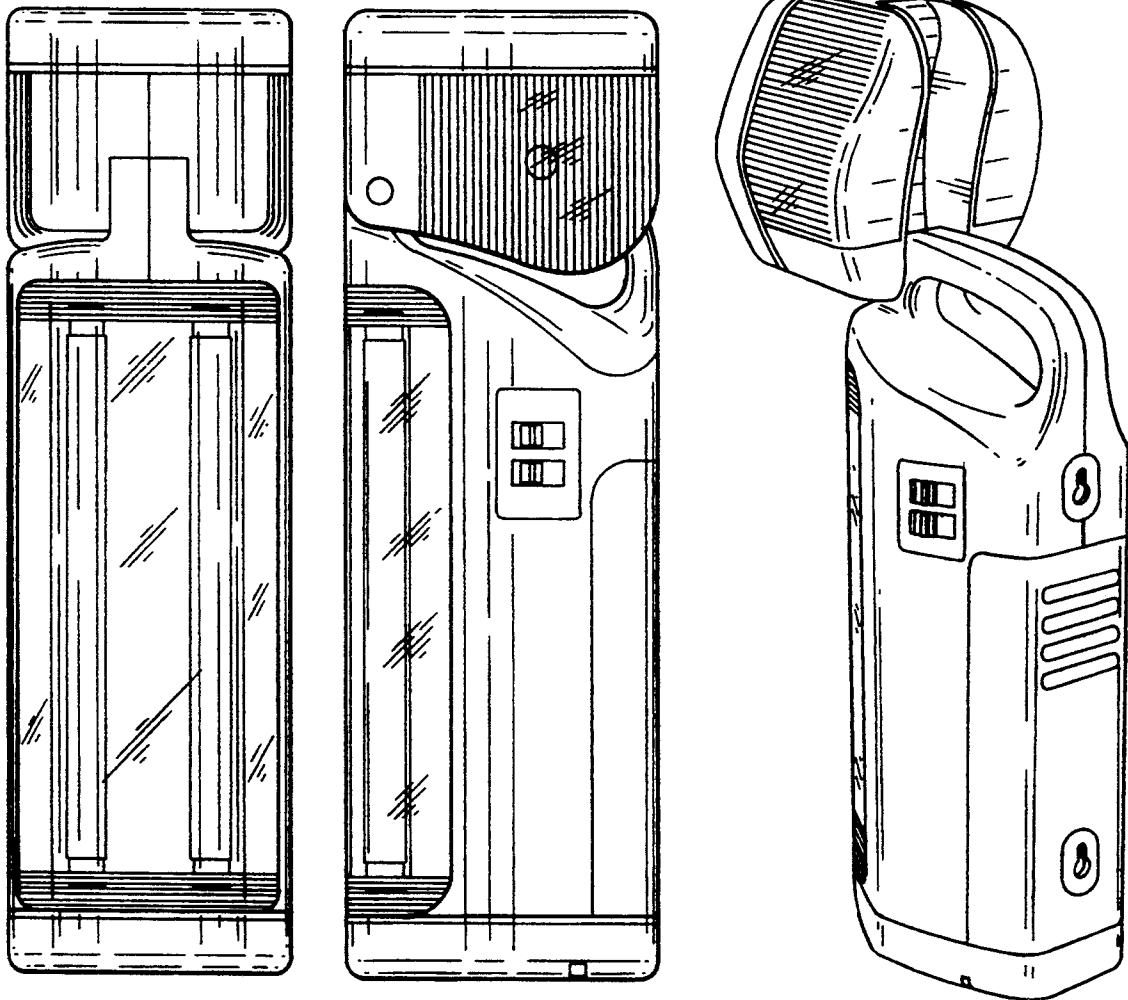
### DESCRIPTION

FIG. 1 is a front elevational view of a combined incandescent lamp and fluorescent lantern according to the new design;  
 FIG. 2 is a rear elevational view thereof;  
 FIG. 3 is a right side elevational view thereof;  
 FIG. 4 is a left side elevational view thereof, the incandescent lamp being in an alternative position;  
 FIG. 5 is a top plan view thereof in the position shown in FIG. 1;  
 FIG. 6 is a bottom plan view thereof; and,  
 FIG. 7 is a left rear perspective view thereof, the incandescent lamp being in the alternate position shown in FIG. 4.

### [56] References Cited

#### U.S. PATENT DOCUMENTS

- D. 335,715 5/1993 Wan ..... D26/44



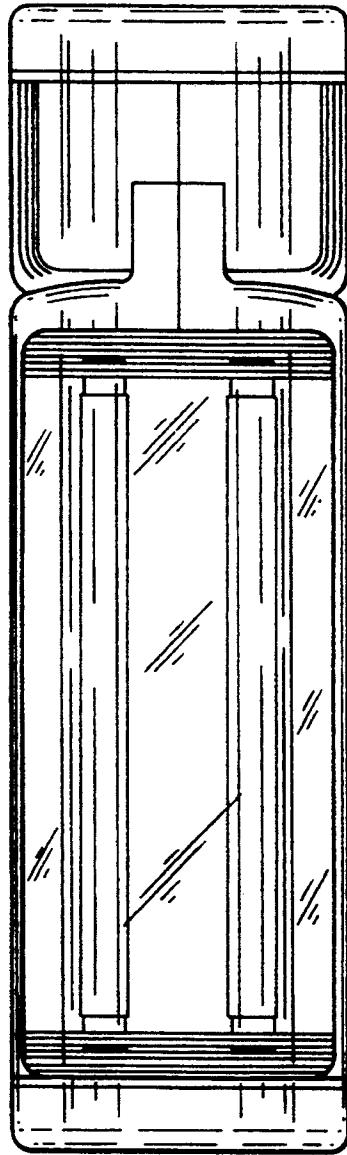


FIG. 1

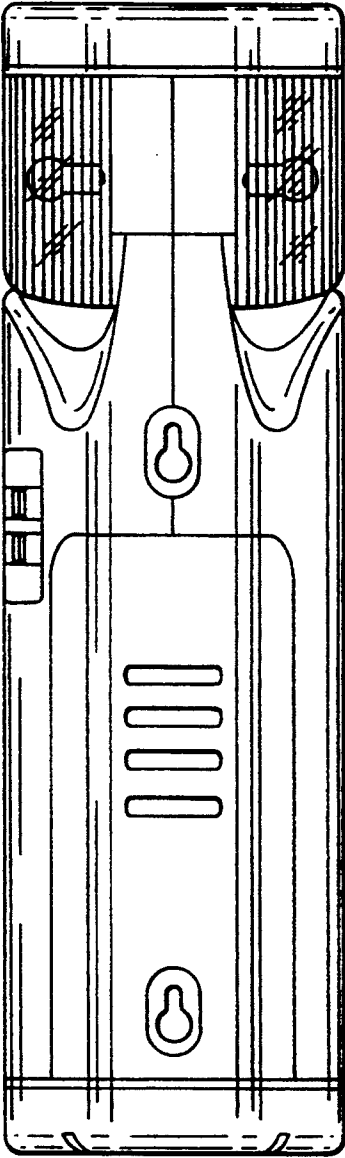


FIG. 2

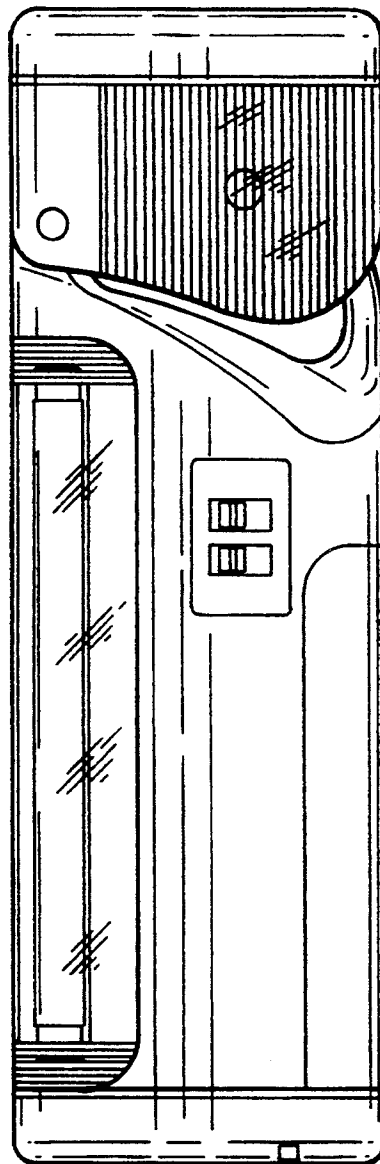


FIG. 3

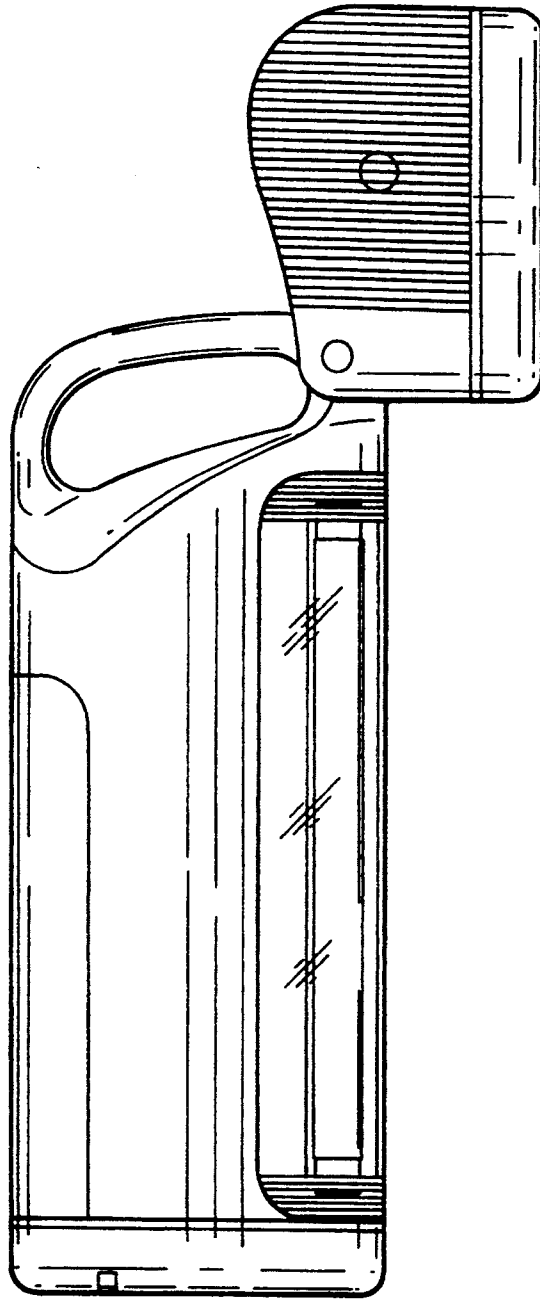


FIG. 4

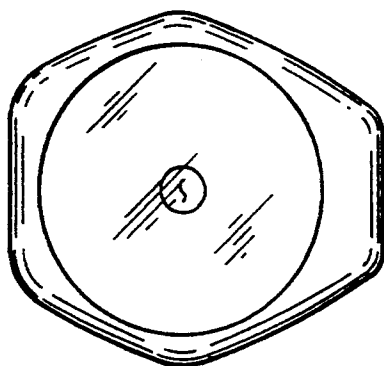


FIG. 5

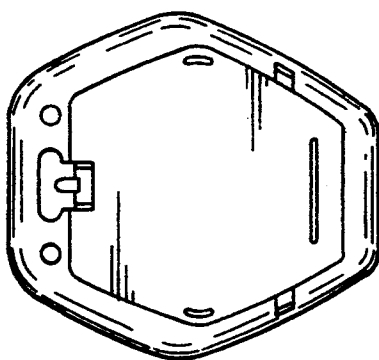


FIG. 6

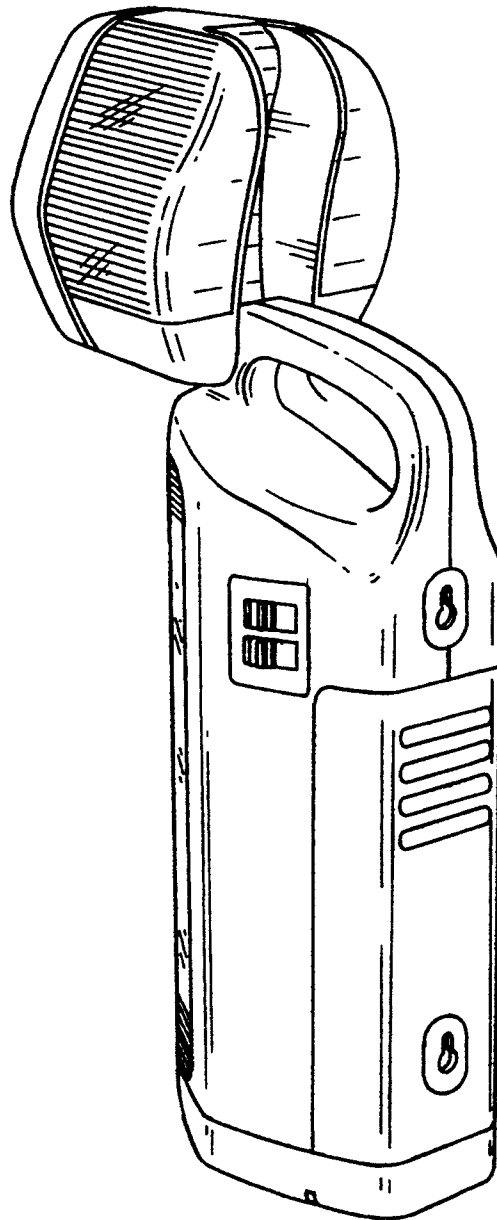


FIG. 7