

(19) World Intellectual Property
Organization
International Bureau



(43) International Publication Date
22 July 2004 (22.07.2004)

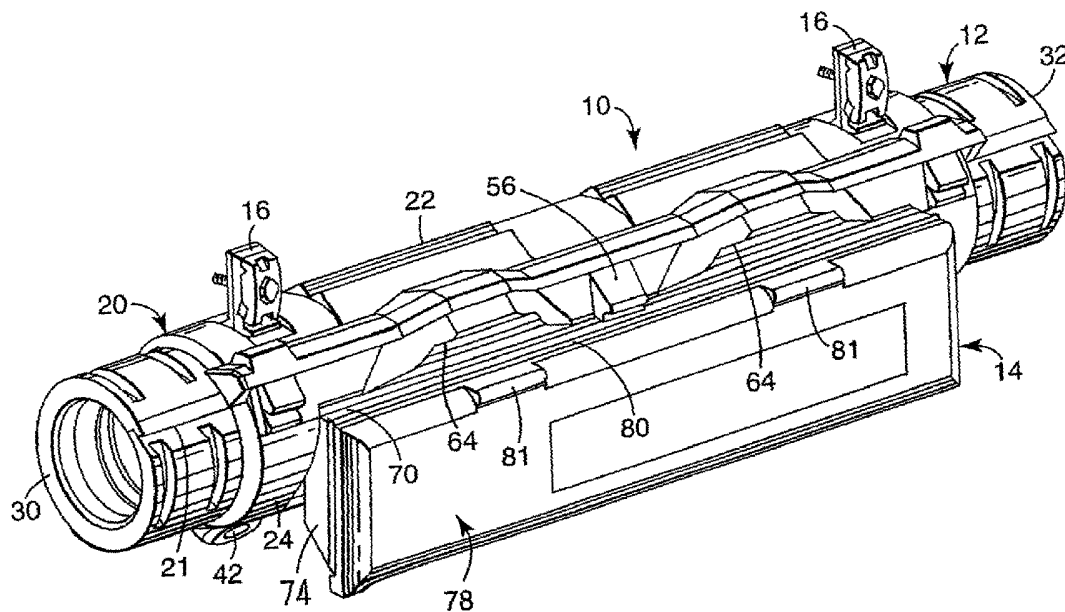
PCT

(10) International Publication Number
WO 2004/061511 A3

- (51) International Patent Classification⁷: G02B 6/44, Shirley, E.; P.O. Box 33427, Saint Paul, MN 55133-3427 (US)
H02G 5/06
- (21) International Application Number: PCT/US2003/039489
- (22) International Filing Date: 11 December 2003 (11.12.2003)
- (25) Filing Language: English
- (26) Publication Language: English
- (30) Priority Data: 10/331,969 30 December 2002 (30.12.2002) US
- (71) Applicant: 3M INNOVATIVE PROPERTIES COMPANY [US/US]; 3M Center, P.O. Box 33427, Saint Paul, MN 55133-3427 (US).
- (72) Inventors: BERGLUND, Sidney, J.; P.O. Box 33427, Saint Paul, MN 55133-3427 (US). PARIKH, Rutesh, D.; P.O. Box 33427, Saint Paul, MN 55133-3427 (US). BALL,
- (74) Agents: TRUSSELL, James, J. et al.; Office of Intellectual Property Counsel, P.O. Box 33427, Saint Paul, MN 55133-3427 (US).
- (81) Designated States (*national*): AE, AG, AL, AM, AT (utility model), AT, AU, AZ, BA, BB, BG, BR, BW, BY, BZ, CA, CH, CN, CO, CR, CU, CZ (utility model), CZ, DE (utility model), DE, DK (utility model), DK, DM, DZ, EC, EE (utility model), EE, EG, ES, FI (utility model), FI, GB, GD, GE, GH, GM, HR, HU, ID, IL, IN, IS, JP, KE, KG, KP, KR, KZ, LC, LK, LR, LS, LT, LU, LV, MA, MD, MG, MK, MN, MW, MX, MZ, NI, NO, NZ, OM, PG, PH, PL, PT, RO, RU, SC, SD, SE, SG, SK (utility model), SK, SL, SY, TJ, TM, TN, TR, TT, TZ, UA, UG, UZ, VC, VN, YU, ZA, ZM, ZW.
- (84) Designated States (*regional*): ARIPO patent (BW, GH, GM, KE, LS, MW, MZ, SD, SL, SZ, TZ, UG, ZM, ZW), Eurasian patent (AM, AZ, BY, KG, KZ, MD, RU, TJ, TM), European patent (AT, BE, BG, CH, CY, CZ, DE, DK, EE, ES, FI, FR, GB, GR, HU, IE, IT, LU, MC, NL, PT, RO, SE,

[Continued on next page]

(54) Title: UNITARY SPLICE AND DROP WIRE CLOSURE



(57) Abstract: A terminal for use with telecommunication cables has a splice closure and a terminal closure joined to the splice closure. The splice closure encloses opened areas of the cable, while the terminal closure encloses a connection device for establishing connection between telecommunication lines in the splice closure and a drop line. In various embodiments, a frame is mounted within the splice closure for retaining non-spliced lines of the telecommunication cable away from spliced lines; a storage member is located within the terminal closure for retaining excess lengths of the drop line; a drop line strain relief bracket is mounted within the terminal closure; and a memory device is incorporated into the terminal for storing information about the terminal.

WO 2004/061511 A3



SI, SK, TR), OAPI patent (BF, BJ, CF, CG, CI, CM, GA, GN, GQ, GW, ML, MR, NE, SN, TD, TG).

Published:

— *with international search report*

Declarations under Rule 4.17:

- *as to applicant's entitlement to apply for and be granted a patent (Rule 4.17(ii)) for all designations*
- *as to the applicant's entitlement to claim the priority of the earlier application (Rule 4.17(iii)) for all designations*

(88) Date of publication of the international search report:

12 May 2005

For two-letter codes and other abbreviations, refer to the "Guidance Notes on Codes and Abbreviations" appearing at the beginning of each regular issue of the PCT Gazette.

INTERNATIONAL SEARCH REPORT

International Application No
PCT/US 03/39489

A. CLASSIFICATION OF SUBJECT MATTER
IPC 7 G02B6/44 H02G15/06

According to International Patent Classification (IPC) or to both national classification and IPC

B. FIELDS SEARCHED

Minimum documentation searched (classification system followed by classification symbols)
IPC 7 G02B H02G

Documentation searched other than minimum documentation to the extent that such documents are included in the fields searched

Electronic data base consulted during the international search (name of data base and, where practical, search terms used)

EPO-Internal, WPI Data, PAJ, INSPEC, COMPENDEX

C. DOCUMENTS CONSIDERED TO BE RELEVANT

Category °	Citation of document, with indication, where appropriate, of the relevant passages	Relevant to claim No.
X	EP 0 213 365 A (CABLES DE LYON GEOFFROY DELORE) 11 March 1987 (1987-03-11)	1-5,7-12
Y	abstract; figures	13-29, 32-37
A	page 1, line 30 - page 2, line 4 page 7, line 15 - line 18	6
Y	US 2002/034365 A1 (VOGELSSANG HORST) 21 March 2002 (2002-03-21)	13,14, 32-37
A	abstract paragraphs '0010!, '0012!, '0013!, '0019!, '0022!	30,31
Y	US 6 226 434 B1 (NOZAWA TETSUO ET AL) 1 May 2001 (2001-05-01) column 4, line 18 - column 5, line 5; figure 1	15-29
	----- -/--	

Further documents are listed in the continuation of box C. Patent family members are listed in annex.

° Special categories of cited documents :

<p>"A" document defining the general state of the art which is not considered to be of particular relevance</p> <p>"E" earlier document but published on or after the international filing date</p> <p>"L" document which may throw doubts on priority claim(s) or which is cited to establish the publication date of another citation or other special reason (as specified)</p> <p>"O" document referring to an oral disclosure, use, exhibition or other means</p> <p>"P" document published prior to the international filing date but later than the priority date claimed</p>	<p>"T" later document published after the international filing date or priority date and not in conflict with the application but cited to understand the principle or theory underlying the invention</p> <p>"X" document of particular relevance; the claimed invention cannot be considered novel or cannot be considered to involve an inventive step when the document is taken alone</p> <p>"Y" document of particular relevance; the claimed invention cannot be considered to involve an inventive step when the document is combined with one or more other such documents, such combination being obvious to a person skilled in the art.</p> <p>"&" document member of the same patent family</p>
--	--

Date of the actual completion of the international search	Date of mailing of the international search report
24 January 2005	18. 02. 2005

Name and mailing address of the ISA European Patent Office, P.B. 5818 Patentlaan 2 NL - 2280 HV Rijswijk Tel. (+31-70) 340-2040, Tx. 31 651 epo nl, Fax: (+31-70) 340-3016	Authorized officer Cohen, A
--	------------------------------------

INTERNATIONAL SEARCH REPORT

International Application No
PCT/US-03/39489

C.(Continuation) DOCUMENTS CONSIDERED TO BE RELEVANT		
Category *	Citation of document, with indication, where appropriate, of the relevant passages	Relevant to claim No.
X	US 5 266 741 A (BUTLER DAVID O) 30 November 1993 (1993-11-30)	1,3-5,7, 8,10-12
A	column 4, line 50 - line 58; figure 27 -----	2,6,9
A	US 4 428 645 A (KORBELAK KENNETH N ET AL) 31 January 1984 (1984-01-31) abstract; figure 2 -----	6

FURTHER INFORMATION CONTINUED FROM PCT/ISA/ 210

This International Searching Authority found multiple (groups of) inventions in this international application, as follows:

1. claims: 1-12

Unitary splice and drop-wire terminal closure having frame on opposite sides of which splice tray with spliced ~~telecommunication lines and non-spliced lines~~ are respectively retained.

2. claims: 13,14,32-37

Unitary splice and drop-wire terminal closure having a memory device mounted to the terminal.

3. claims: 15-31

Unitary splice and drop-wire terminal closure having a storage member within the terminal closure section.

INTERNATIONAL SEARCH REPORT

International application No.
-PCT/US 03/39489

Box I Observations where certain claims were found unsearchable (Continuation of item 1 of first sheet)

This International Search Report has not been established in respect of certain claims under Article 17(2)(a) for the following reasons:

1. Claims Nos.:
because they relate to subject matter not required to be searched by this Authority, namely:

2. Claims Nos.:
because they relate to parts of the International Application that do not comply with the prescribed requirements to such an extent that no meaningful International Search can be carried out, specifically:

3. Claims Nos.:
because they are dependent claims and are not drafted in accordance with the second and third sentences of Rule 6.4(a).

Box II Observations where unity of invention is lacking (Continuation of item 2 of first sheet)

This International Searching Authority found multiple inventions in this international application, as follows:

see additional sheet

1. As all required additional search fees were timely paid by the applicant, this International Search Report covers all searchable claims.

2. As all searchable claims could be searched without effort justifying an additional fee, this Authority did not invite payment of any additional fee.

3. As only some of the required additional search fees were timely paid by the applicant, this International Search Report covers only those claims for which fees were paid, specifically claims Nos.:

4. No required additional search fees were timely paid by the applicant. Consequently, this International Search Report is restricted to the invention first mentioned in the claims; it is covered by claims Nos.:

Remark on Protest

- The additional search fees were accompanied by the applicant's protest.
- No protest accompanied the payment of additional search fees.

INTERNATIONAL SEARCH REPORT

Information on patent family members

International Application No

PCT/US 03/39489

Patent document cited in search report		Publication date	Patent family member(s)	Publication date
EP 0213365	A	11-03-1987	FR 2585518 A1 DE 3685465 D1 EP 0213365 A1 ES 2000713 A6	30-01-1987 02-07-1992 11-03-1987 16-03-1988
US 2002034365	A1	21-03-2002	EP 1191354 A1	27-03-2002
US 6226434	B1	01-05-2001	JP 9304631 A CN 1169543 A ,B ID 16907 A	28-11-1997 07-01-1998 20-11-1997
US 5266741	A	30-11-1993	NONE	
US 4428645	A	31-01-1984	BR 8200468 A CA 1176880 A1 FR 2498766 A1 IT 1149321 B SE 8200413 A ES 8303716 A1 JP 57176013 A	30-11-1982 30-10-1984 30-07-1982 03-12-1986 29-07-1982 01-05-1983 29-10-1982