



US0D1027574S

(12) **United States Design Patent**
Gallop

(10) **Patent No.:** **US D1,027,574 S**

(45) **Date of Patent:** **** May 21, 2024**

(54) **KNIFE FOR A CUTLERY DISPENSER**

FOREIGN PATENT DOCUMENTS

(71) Applicant: **Waddington North America, Inc.**,
Chelmsford, MA (US)

CN 101066183 A 11/2007
JP 2002211633 A 7/2002

(Continued)

(72) Inventor: **William A Gallop**, Westminster, MA
(US)

OTHER PUBLICATIONS

(73) Assignee: **Waddington North America, Inc.**,
Chelmsford, MA (US)

Ecovita 100% Compostable Knives. Date First Available on Amazon.
com Sep. 4, 2017. <https://www.amazon.com/dp/B075CZKGYQ/ref>
(Year: 2017).*

(**) Term: **15 Years**

(Continued)

(21) Appl. No.: **29/881,618**

Primary Examiner — Ricky Pham

(22) Filed: **Jan. 4, 2023**

(74) *Attorney, Agent, or Firm* — Nelson Mullins Riley &
Scarborough LLP

Related U.S. Application Data

(63) Continuation of application No. 17/974,761, filed on
Oct. 27, 2022, which is a continuation of application
(Continued)

(57)

CLAIM

The ornamental design for a knife for a cutlery dispenser, as
shown and described.

(51) **LOC (14) Cl.** **07-03**

DESCRIPTION

(52) **U.S. Cl.**

USPC **D7/650**; D7/642; D7/645; D7/649

(58) **Field of Classification Search**

USPC D7/368, 395, 401.2, 642–645, 649, 650,
D7/653–664, 669, 675–677, 681, 683,
D7/688–689, 691; D8/107, 300–301;
D22/117–118

CPC ... A01D 9/02; A01D 9/04; A01D 9/06; A47G
21/00; A47G 21/004; A47G 21/005;
A47G 21/02; A47G 21/023; A47G 21/04;
A47G

(Continued)

This application is related to U.S. Pat. No. 8,272,533, issued
on Sep. 25, 2012, to U.S. Pat. No. 11,083,316, issued on
Aug. 10, 2021, and to U.S. Pat. No. 10,820,722, issued Nov.
3, 2020. Each of these patents is incorporated herein in its
entirety by reference for all purposes.

FIG. 1 is a rear, top and left side perspective view of the
knife for a cutlery dispenser of my new design;

FIG. 2 is a front, bottom and left side perspective view
thereof;

FIG. 3 is a top plan view thereof;

FIG. 4 is a bottom plan view thereof;

FIG. 5 is a left side elevational view thereof;

FIG. 6 is a right side elevational view thereof;

FIG. 7 is a front elevational view thereof;

FIG. 8 is a rear elevational view thereof;

FIG. 9 is an enlarged view of FIG. 7; and,

FIG. 10 is an enlarged view of FIG. 8.

(56)

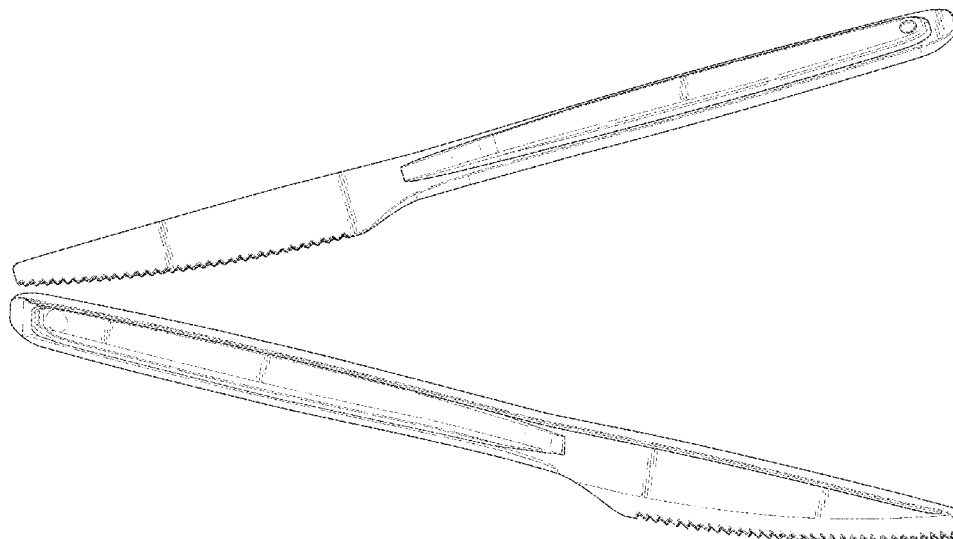
References Cited

U.S. PATENT DOCUMENTS

512,162 A 1/1894 Cuddy
2,141,684 A 12/1938 Diemer

(Continued)

1 Claim, 9 Drawing Sheets



Related U.S. Application Data

No. 17/461,129, filed on Aug. 30, 2021, now Pat. No. 11,529,003, which is a continuation of application No. 16/831,510, filed on Mar. 26, 2020, now Pat. No. 11,134,796, said application No. 17/974,761 is a continuation of application No. 17/461,376, filed on Aug. 30, 2021, now Pat. No. 11,503,924, which is a continuation of application No. 16/831,510, filed on Mar. 26, 2020, now Pat. No. 11,134,796.

(52) **U.S. CL.**

CPC *A47F 1/10* (2013.01); *A47F 10/06* (2013.01); *A47F 2001/103* (2013.01)

(58) **Field of Classification Search**

CPC 21/06; A47G 21/08; A47G 21/103; A47G 21/181; A47J 43/28; A47J 43/281; A47J 43/282; A61F 13/10; A61F 13/38; A61J 7/0023; B25G 1/00; B25G 1/01; B25G 1/02; B25G 3/00; B65D 75/56; B65D 75/563; B65D 75/566; B67B 7/00; B67B 7/724; B67B 7/73; B25F 1/00

See application file for complete search history.

(56)

References Cited

U.S. PATENT DOCUMENTS

2,149,099	A	2/1939	Phinney et al.	
2,216,005	A	9/1940	Morris	
2,752,678	A	7/1956	Welch	
2,911,127	A	11/1959	Driss et al.	
3,635,350	A	1/1972	Wolf	
3,664,020	A	5/1972	Hammond	
3,987,901	A	10/1976	Dullinger	
4,134,519	A	1/1979	Barnett et al.	
4,426,056	A	1/1984	Gelardi et al.	
D275,167	S	8/1984	Laslo	
4,524,512	A	6/1985	Formo et al.	
4,539,749	A	9/1985	Hyeong-Woon	
4,610,087	A	9/1986	Mickelson et al.	
4,995,154	A	2/1991	Bamber	
5,131,562	A	7/1992	Brown	
5,295,592	A	3/1994	Thorne	
5,388,600	A	2/1995	Hart	
5,855,285	A	1/1999	Laird et al.	
5,855,422	A	1/1999	Naef	
5,904,250	A	5/1999	De Schutter	
5,921,408	A	7/1999	Gronewold et al.	
6,250,498	B1	6/2001	Lovejoy	
6,336,568	B1	1/2002	Tucker et al.	
6,662,967	B2	12/2003	Roy	
6,832,694	B2	12/2004	Goeking et al.	
7,013,568	B2	3/2006	Schmidt	
D536,222	S *	2/2007	Heiberg	D7/645
D554,952	S *	11/2007	Smith	D7/664
D554,953	S *	11/2007	Smith	D7/664
D584,084	S	1/2009	Tucker et al.	
7,669,732	B2	3/2010	Njaastad	
D623,907	S *	9/2010	Lenge	D7/649
D634,577	S *	3/2011	Oakes	D7/649
D634,974	S *	3/2011	Oakes	D7/649
7,900,797	B1	3/2011	Witcraft	
8,272,533	B1	9/2012	D'Amelia et al.	
8,296,957	B2	10/2012	Muehleman	
8,297,473	B2	10/2012	Smith	
D675,869	S	2/2013	Gallop	
8,839,522	B2	9/2014	Walters	
D719,789	S *	12/2014	Truog	B25F 1/00 D7/649
9,049,948	B2	6/2015	Jongen	
D746,645	S *	1/2016	Truog	D7/649
9,226,598	B1	1/2016	Knope et al.	
9,332,861	B2	5/2016	Borke	

D795,656	S *	8/2017	McFarland	D7/645
9,924,816	B2	3/2018	Oakes	
10,051,976	B2	8/2018	Smith	
D828,118	S *	9/2018	Mackall, Jr.	D7/645
10,188,226	B2	1/2019	Babcock et al.	
10,390,631	B2	8/2019	Smith	
10,779,661	B2	9/2020	Schoening et al.	
10,881,221	B2	1/2021	Kennedy et al.	
D913,053	S *	3/2021	Truog	D7/649
11,033,134	B2 *	6/2021	Mithal	A47G 21/02
2002/0112445	A1	8/2002	Scaduto	
2005/0155229	A1	7/2005	Lee	
2007/0000136	A1	1/2007	Allen et al.	
2007/0108141	A1	5/2007	Smith et al.	
2008/0128445	A1	6/2008	Huang et al.	
2010/0000096	A1 *	1/2010	Muehleman	A47G 21/02 30/322
2010/0170915	A1	7/2010	Reinsel et al.	
2011/0138632	A1	6/2011	Wong	
2011/0219631	A1	9/2011	Hou et al.	
2011/0226797	A1	9/2011	Reinsel et al.	
2011/0296693	A1	12/2011	Oakes	
2013/0193157	A1	8/2013	Jongen et al.	
2015/0041484	A1	2/2015	Oakes	
2015/0048108	A1	2/2015	Borke	
2015/0257561	A1	9/2015	Miksovsky	
2015/0289679	A1	10/2015	Oakes	
2017/0095100	A1	4/2017	White	
2019/0075940	A1	3/2019	Pierson	
2019/0223621	A1	7/2019	Loucks	

FOREIGN PATENT DOCUMENTS

WO	0105281	A1	1/2001
WO	2001005281	A1	1/2001

OTHER PUBLICATIONS

CA Examiner Search Report for Patent Application No. 3020168 dated Jun. 6, 2023, 3 pages.

Extended European Search Report of EP Appl No. EP23162456.0 dated Jun. 28, 2023, 8 pages.

Extended European Search Report of EP Appl No. EP 23162447.9 dated Jun. 19, 2023, 9 pages.

Final Office Action for U.S. Appl. No. 17/358,750, dated Mar. 1, 2023, 28 pages.

Office Action dated Jan. 8, 2019 for U.S. Appl. No. 13/161,767, 8 pages.

Office Action dated Jun. 28, 2019 for U.S. Appl. No. 13/161,767, 8 pages.

Office Action dated Mar. 23, 2020 for U.S. Appl. No. 16/182,185, 24 pages.

PCT International Search Report and Written Opinion for Appl No. PCT/US2017/026202 dated Jul. 11, 2017, 14 pages.

Office Action dated May 18, 2020 for European Appl. No. 17779770.1, 3 pages.

International Search Report and Written Opinion for PCT Appl. No. PCT/US2020/025001, dated Jul. 14, 2020, 12 Pages.

Office Action for U.S. Appl. No. 16/091,835, dated Aug. 3, 2020, 27 Pages.

English Translation of Office Action for Chinese Patent Appl. No. 201780027881.8, dated Jul. 14, 2020, 15 Pages.

Notice of Allowance for U.S. Appl. No. 16/182,185, dated Sep. 4, 2020, 18 Pages.

Office Action for U.S. Appl. No. 13/161,767, dated Sep. 23, 2020, 39 Page.

Office Action for European Patent Appl. No. 17779770.1, dated Nov. 3, 2020, 3 Pages.

Office Action for U.S. Appl. No. 16/091,835, dated Jan. 11, 2021, 20 Pages.

Office Action for U.S. Appl. No. 16/091,835, dated Mar. 17, 2021, 5 Pages.

Office Action for U.S. Appl. No. 16/831,510, dated Mar. 23, 2021, 23 Pages.

(56)

References Cited

OTHER PUBLICATIONS

Chinese Office Action and English Translation for Chinese Patent Appl. No. 201780027881.8, dated Mar. 3, 2021, 25 Pages.

Notice of Allowance for U.S. Appl. No. 16/091,835, dated Apr. 29, 2021, 17 Pages.

Notice of Allowance for U.S. Appl. No. 13/161,767, dated Jun. 1, 2021, 37 pages.

Notice of Allowance for U.S. Appl. No. 16/831,510, dated Aug. 10, 2021, 23 Pages.

International Report on Patentability for Appl. No. PCT/US2020/025001, dated Oct. 7, 2021, 9 Pages.

Summons to Attend Oral Proceedings for EP Appl. No. 17779770.1-1005 dated Oct. 26, 2021, 5 Pages.

Office Action for U.S. Appl. No. 17/358,750 dated Jul. 21, 2022, 28 pages.

Office Action for U.S. Appl. No. 17/461,129 dated Jul. 22, 2022, 24 pages.

Office Action for U.S. Appl. No. 17/461,376 dated Jul. 22, 2022, 23 pages.

Office Action for U.S. Appl. No. 17/318,724 dated Jul. 27, 2022, 30 pages.

Notice of Allowance for U.S. Appl. No. 17/461,129 dated Aug. 17, 2022, 11 pages.

Notice of Allowance for U.S. Appl. No. 17/461,376 dated Aug. 17, 2022, 11 pages.

Notice of Allowance for U.S. Appl. No. 17/318,724 dated Sep. 21, 2022, 10 pages.

Extended European Search Report of EP Appl No. EP 20777296, dated Jan. 23, 2023, 9 pages.

* cited by examiner

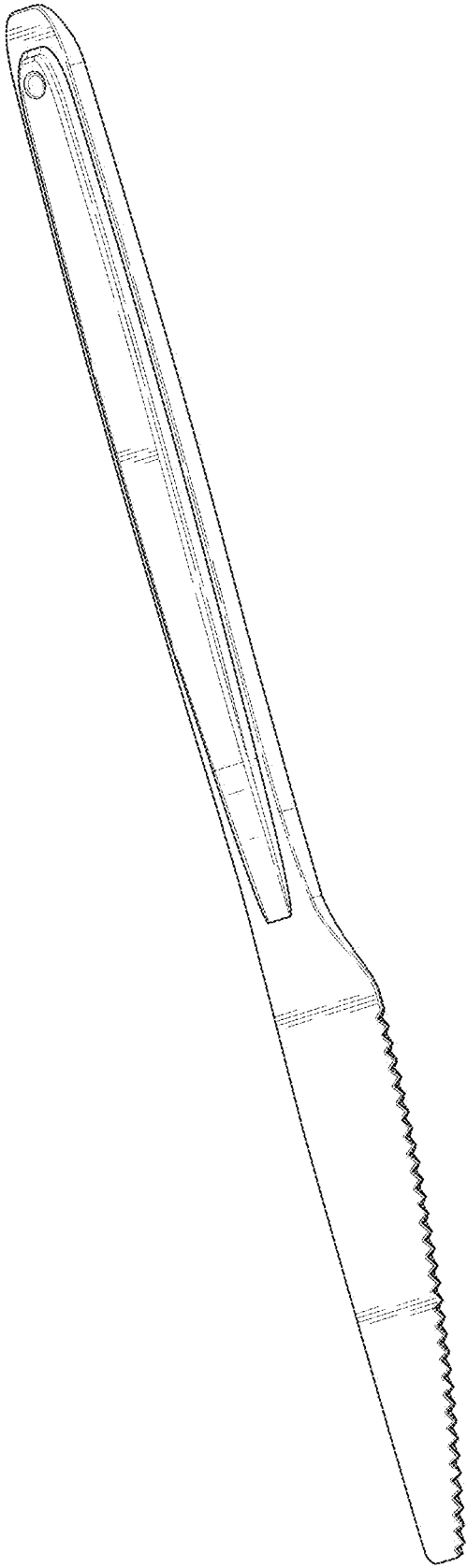


Fig. 1

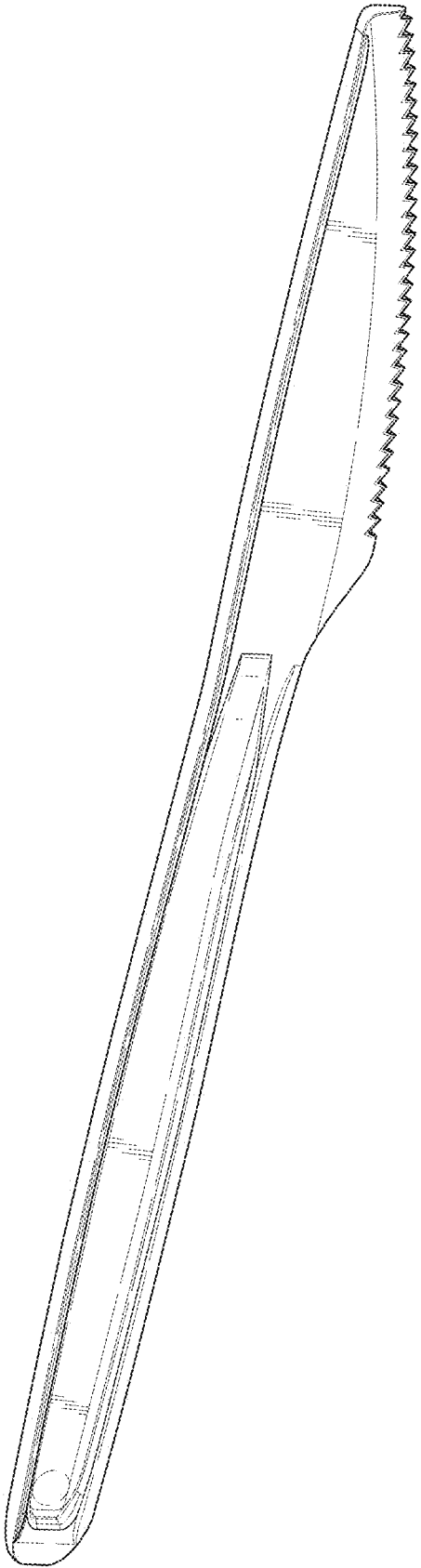


Fig. 2

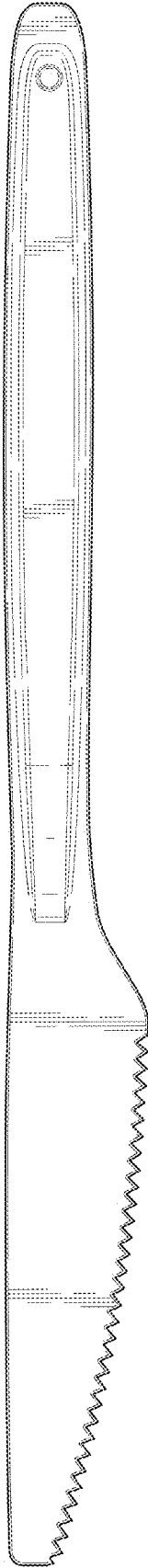


Fig. 3

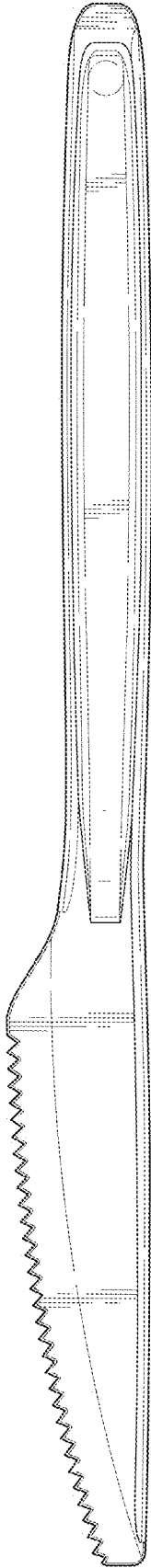


Fig. 4



Fig. 5



Fig. 6



Fig. 7



Fig. 8

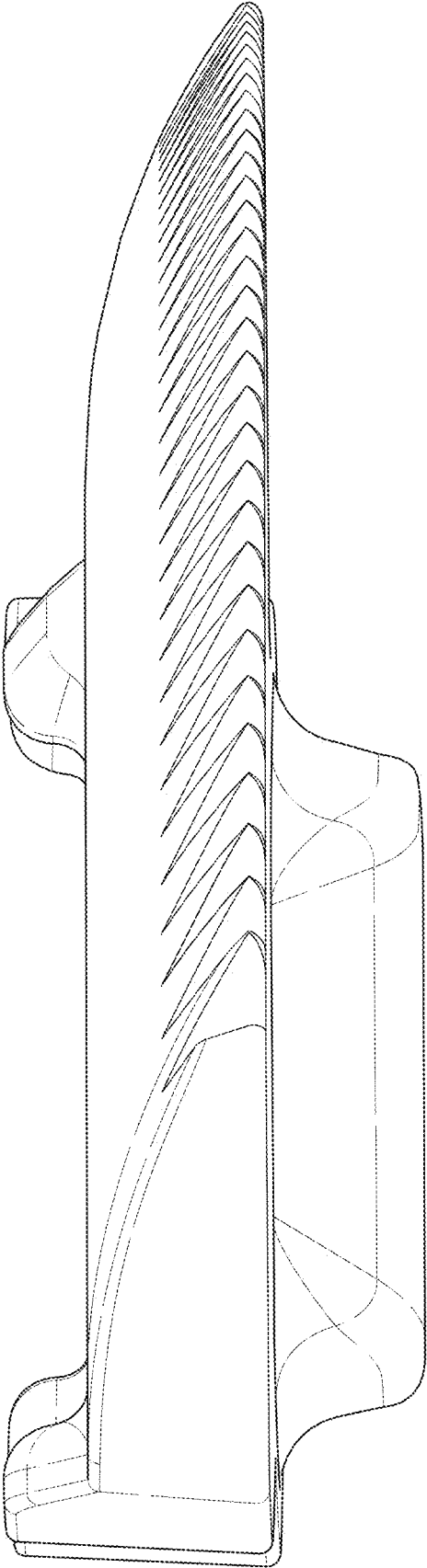


Fig. 9

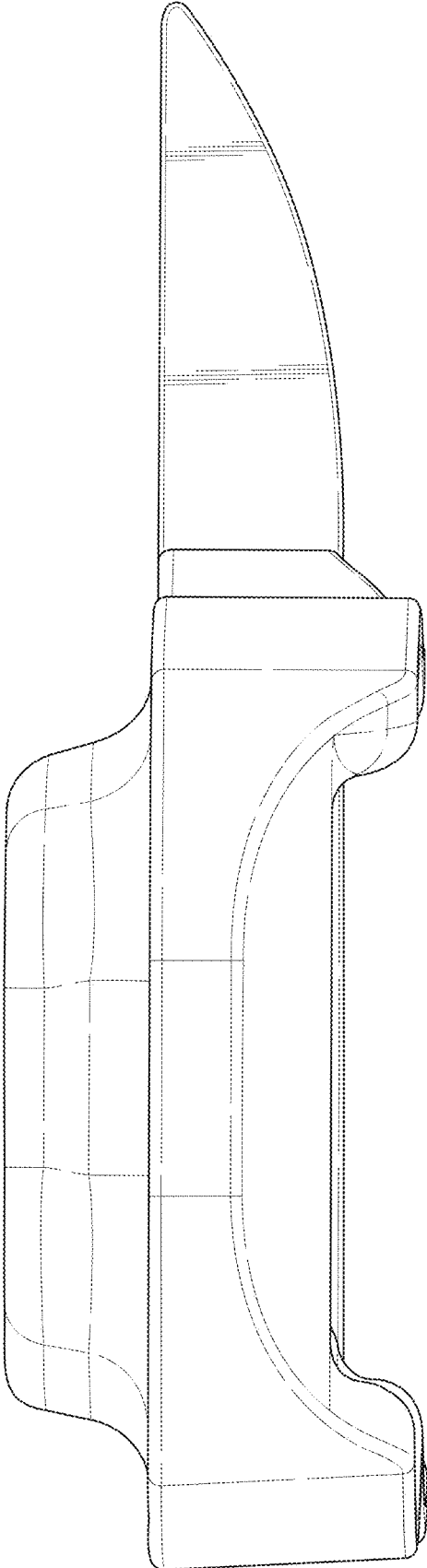


Fig. 10