



US00D679856S

(12) **United States Design Patent**
Guercio et al.

(10) **Patent No.:** **US D679,856 S**

(45) **Date of Patent:** **** Apr. 9, 2013**

- (54) **LED AREA LIGHT FIXTURE**
- (75) Inventors: **Vincenzo Guercio**, Wallkill, NY (US);
Wengang Gao, Ningbo (CN)
- (73) Assignee: **RAB Lighting Inc.**, Northvale, NJ (US)
- (**) Term: **14 Years**
- (21) Appl. No.: **29/427,097**
- (22) Filed: **Jul. 13, 2012**
- (51) **LOC (9) Cl.** **26-99**
- (52) **U.S. Cl.** **D26/118**
- (58) **Field of Classification Search** D26/118,
D26/124, 120, 122, 119, 128, 138, 145, 155,
D26/1, 2, 113, 121, 123, 72, 73, 74, 75, 76,
D26/77, 78, 79, 62, 64, 68, 69, 85, 86, 88,
D26/125, 129, 135, 136, 139, 140, 141, 142,
D26/143, 144, 152, 153, 148, 149, 150, 151,
D26/154, 156, 61, 54, 52, 24, 25, 26, 28,
D26/36, 35, 42, 45, 53, 55, 81, 82, 83, 84,
D26/60, 63, 87, 37; 362/294, 307, 249.01–249.12,
362/549, 345, 225, 364, 326, 362, 363, 147,
362/148, 149, 223, 224, 555, 556, 218, 331,
362/613, 620, 97.1–97.3; D13/179, 180
See application file for complete search history.

(56) **References Cited**

U.S. PATENT DOCUMENTS

D203,865 S *	2/1966	Cooper	D26/63
D241,671 S	9/1976	D'Ercoli et al.		
D296,829 S	7/1988	Peppers		
D308,111 S *	5/1990	Banathy et al.	D26/68
D345,226 S	3/1994	Tsao		
D360,962 S	8/1995	Cornell et al.		
D407,836 S *	4/1999	Leen	D26/63
D434,515 S *	11/2000	McNamara	D26/63
D465,592 S *	11/2002	Lin	D26/65
D475,154 S *	5/2003	Binsukor	D26/72
D479,015 S *	8/2003	Tang	D26/63
D482,153 S *	11/2003	McNamara	D26/67
D484,629 S *	12/2003	Fong et al.	D26/63

D545,471 S *	6/2007	Guercio	D26/63
D545,987 S *	7/2007	Guercio	D26/63
D549,380 S *	8/2007	Guercio	D26/63
D550,387 S *	9/2007	Guercio	D26/63
D550,392 S *	9/2007	Guercio	D26/92
D552,282 S *	10/2007	Guercio	D26/63
D552,283 S *	10/2007	Guercio	D26/63
D552,778 S *	10/2007	Butler	D26/63
D556,935 S	12/2007	Quiogue et al.		
D565,223 S	3/2008	Guercio		
D565,772 S	4/2008	Guercio		
D566,318 S *	4/2008	Quiogue et al.	D26/63
D567,980 S	4/2008	Guercio		
D570,024 S	5/2008	Guercio		
D572,396 S	7/2008	Guercio		
D579,140 S	10/2008	Guercio		
D579,141 S	10/2008	Guercio		

(Continued)

Primary Examiner — Kevin Rudzinski

(74) *Attorney, Agent, or Firm* — Stewart & Irwin, P.C.;
Dennis S. Schell; Bassam S. Nader

(57) **CLAIM**

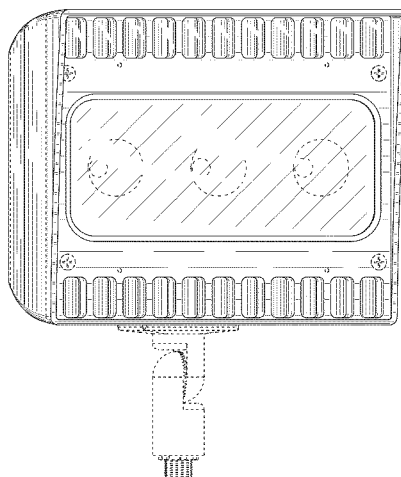
The ornamental design for a LED area light fixture, substantially as shown and described.

DESCRIPTION

FIG. 1 is a front perspective view of an LED area light fixture showing the new design;
 FIG. 2 is a rear perspective view thereof;
 FIG. 3 is a front view thereof;
 FIG. 4 is a rear view thereof;
 FIG. 5 is a top view thereof;
 FIG. 6 is a bottom view thereof; and,
 FIG. 7 is a left side view thereof.

The design consists of the features of shape, ornament and configuration of the article shown in the drawings. The broken lines shown in the drawings are for the purposes of illustrating portions of the article that form no part of the claimed design. The right side view is a mirror image of the left side view and is therefore omitted.

1 Claim, 7 Drawing Sheets



US D679,856 S

Page 2

U.S. PATENT DOCUMENTS							
7,434,959	B1	10/2008	Wang	7,976,197	B2	7/2011	Chen
D587,839	S	3/2009	Guercio	D643,147	S	8/2011	Guercio et al.
D591,445	S	4/2009	Guercio	D651,738	S	1/2012	Guercio et al.
D618,374	S *	6/2010	Guercio D26/63	D659,280	S	5/2012	Guercio et al.
7,780,318	B2	8/2010	Xiao et al.	D670,024	S *	10/2012	Green et al. D26/128
D625,450	S *	10/2010	Rosenkrantz et al. D26/61				* cited by examiner

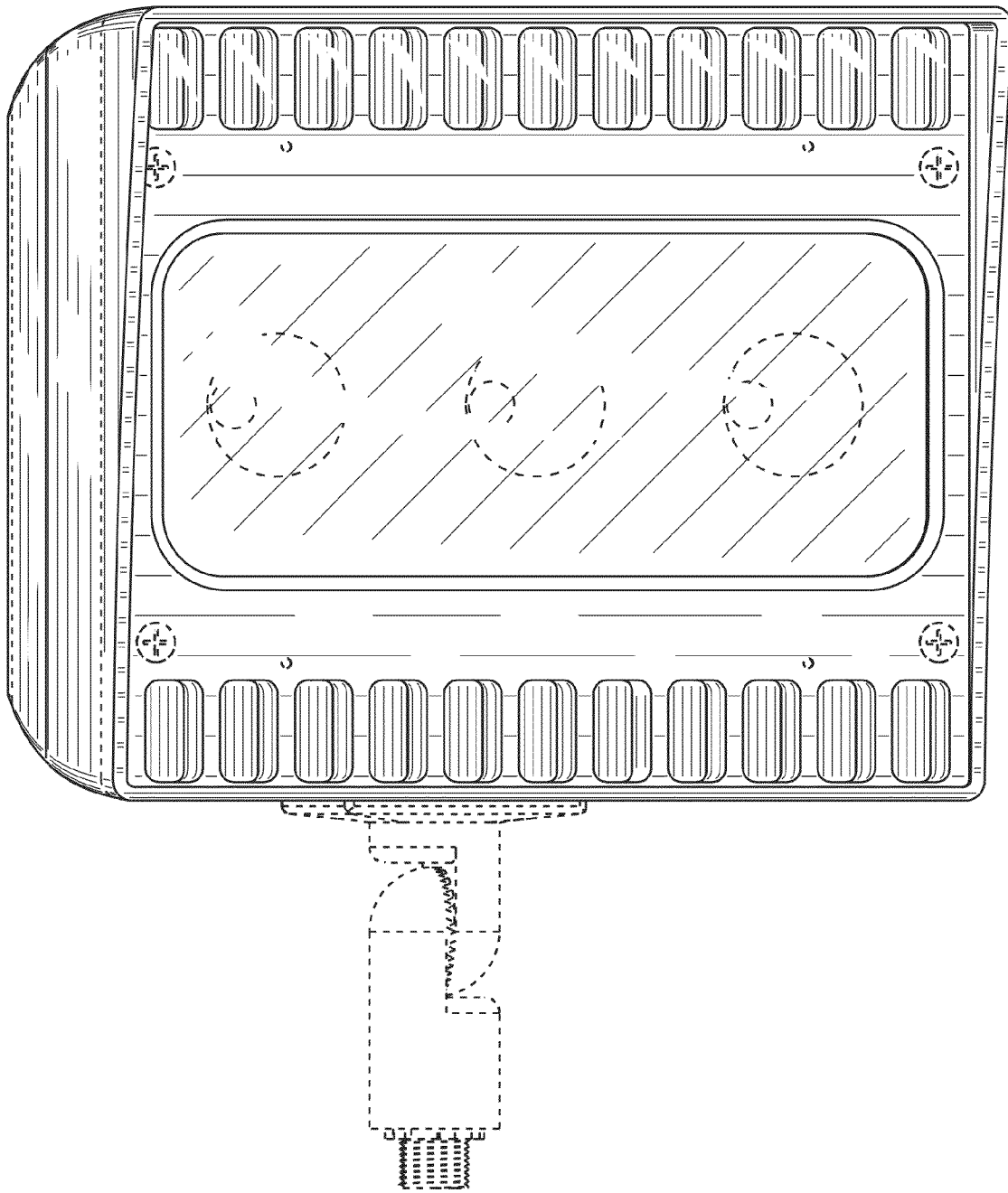


Fig. 1

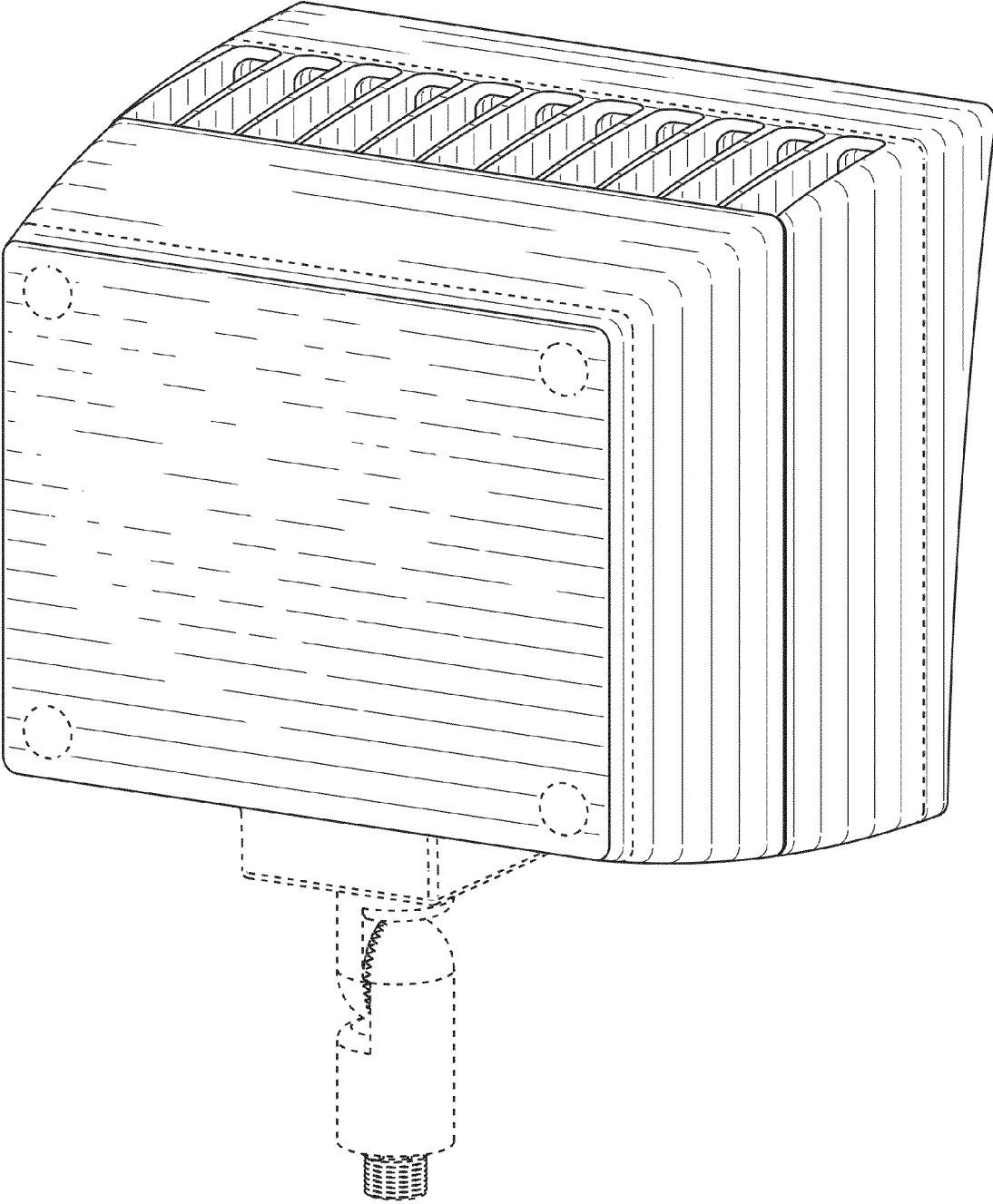


Fig. 2

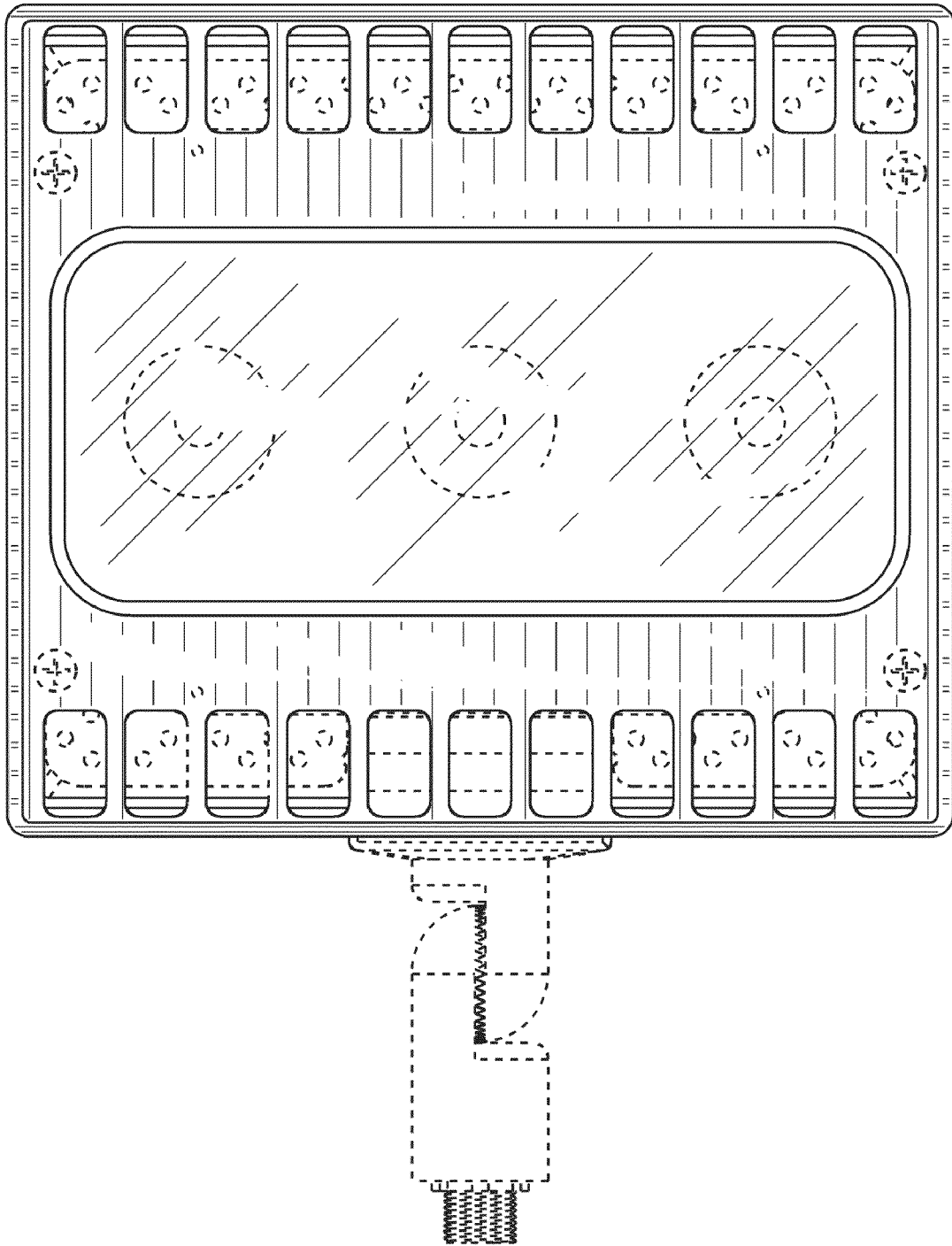


Fig. 3

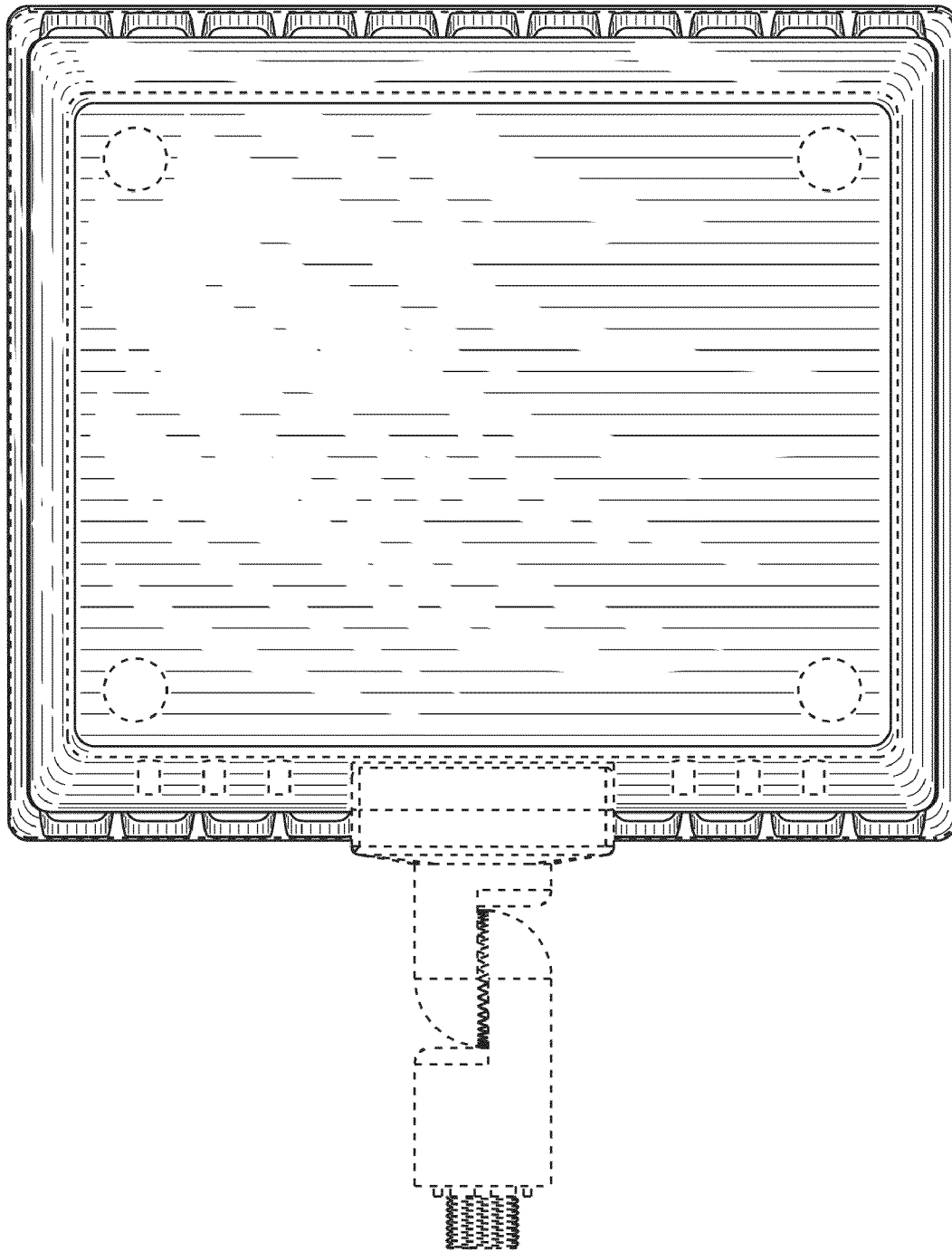


Fig. 4

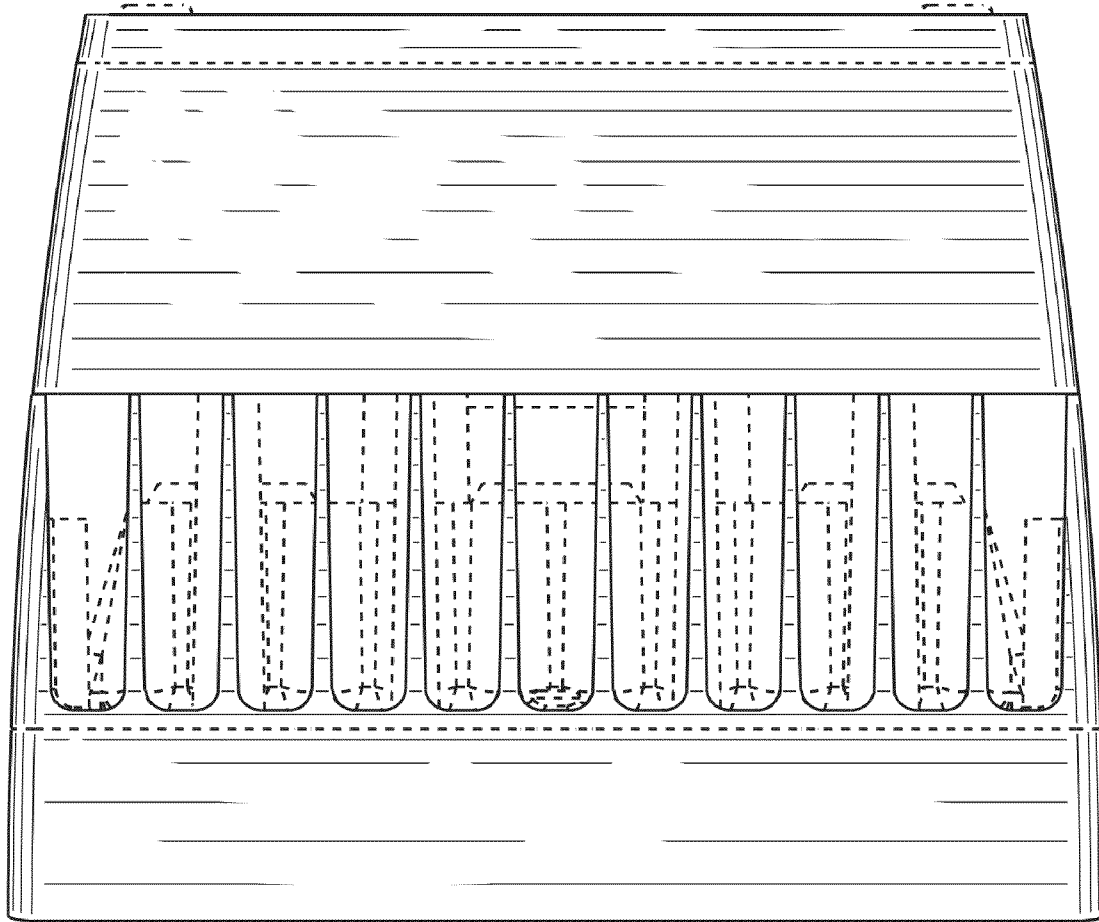


Fig. 5

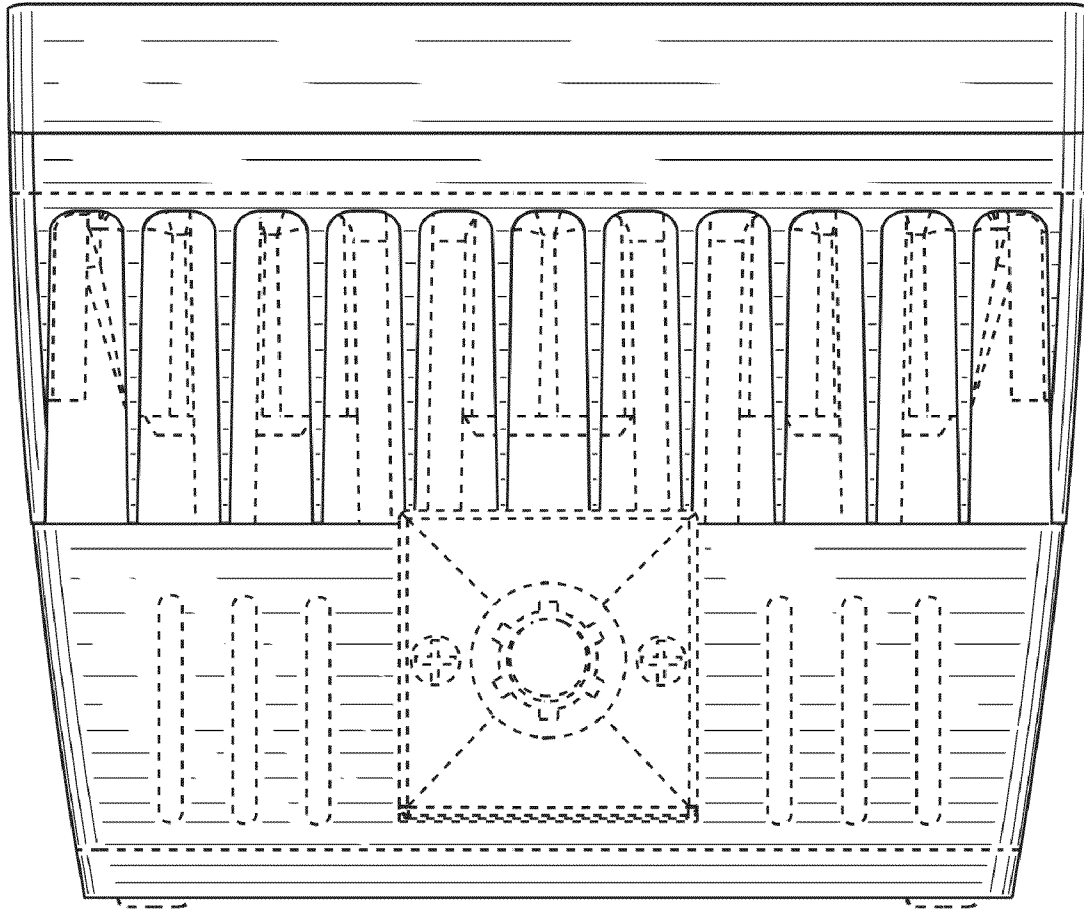


Fig. 6

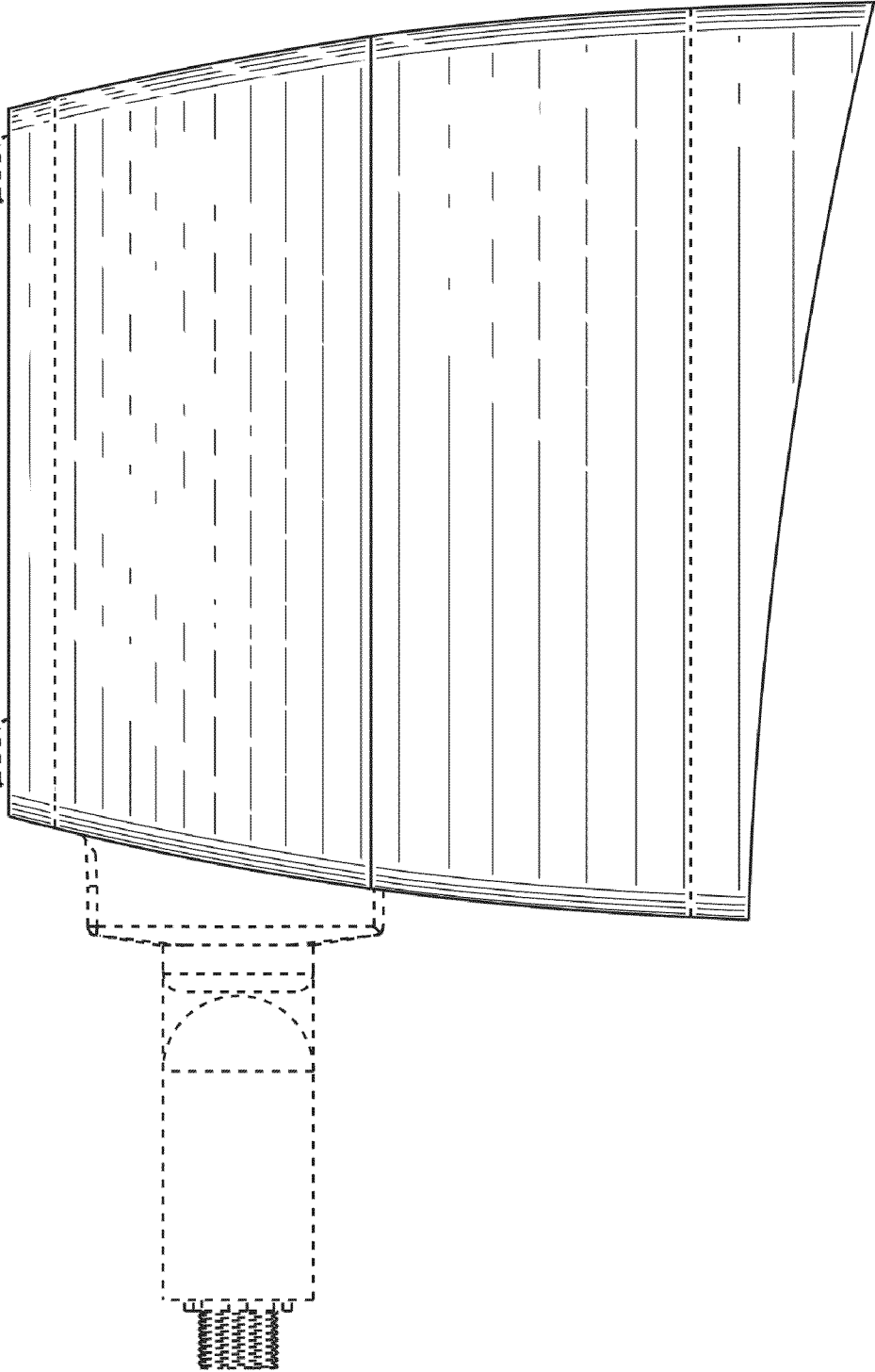


Fig. 7