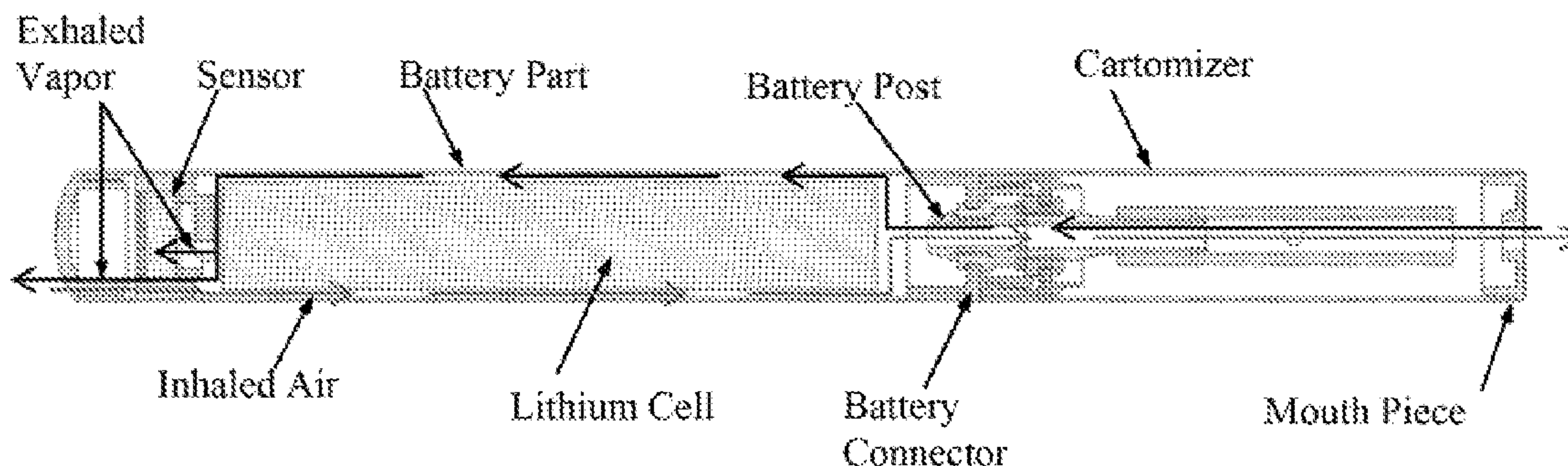




(86) Date de dépôt PCT/PCT Filing Date: 2012/04/12  
 (87) Date publication PCT/PCT Publication Date: 2012/10/18  
 (85) Entrée phase nationale/National Entry: 2013/10/11  
 (86) N° demande PCT/PCT Application No.: US 2012/033329  
 (87) N° publication PCT/PCT Publication No.: 2012/142293  
 (30) Priorité/Priority: 2011/04/12 (US61/474,569)

(51) Cl.Int./Int.Cl. *A24F 47/00* (2006.01),  
*A24B 15/16* (2006.01), *A61M 15/06* (2006.01)  
 (71) Demandeurs/Applicants:  
LEVITZ, ROBERT, US;  
GAVRIELOV, SHMUEL, US  
 (72) Inventeurs/Inventors:  
LEVITZ, ROBERT, US;  
GAVRIELOV, SHMUEL, US  
 (74) Agent: SIM & MCBURNEY

(54) Titre : **CONNECTEUR DE BATTERIE POUR CIGARETTE ELECTRONIQUE DOTE D'UNE PRISE D'AIR LATERALE**  
 (54) Title: **BATTERY CONNECTOR FOR ELECTRONIC CIGARETTE WITH SIDE AIR INTAKE**



**Figure 3**

(57) **Abrégé/Abstract:**

A novel electronic cigarette battery male connector that can be retrofitted to existing female cartomizer connectors is described. An air intake path starts at the outer circumference of the connector between the battery and the cartomizer of the electronic cigarette, running inside a notch on the connector. The air is brought into the battery through grooves formed on the distal end of the connector. Once inside the battery, the air path loops around and exits the battery housing towards the cartomizer, via a hole along the central axis of connector. In accordance with the desired air-intake path, the notch is cut out on the side of connector at strategic location and with strategic geometry.



(12) INTERNATIONAL APPLICATION PUBLISHED UNDER THE PATENT COOPERATION TREATY (PCT)

(19) World Intellectual Property  
Organization  
International Bureau

WIPO | PCT

(10) International Publication Number  
**WO 2012/142293 A3**(43) International Publication Date  
18 October 2012 (18.10.2012)

## (51) International Patent Classification:

A24F 47/00 (2006.01) A61M 15/06 (2006.01)  
A24B 15/16 (2006.01)

## (21) International Application Number:

PCT/US2012/033329

## (22) International Filing Date:

12 April 2012 (12.04.2012)

## (25) Filing Language:

English

## (26) Publication Language:

English

## (30) Priority Data:

61/474,569 12 April 2011 (12.04.2011) US

## (72) Inventors; and

(71) Applicants : LEVITZ, Robert [US/US]; 1820 NE 163rd Street, Suite 305, North Miami Beach, FL 33162 (US).  
GAVRIELOV, Shmuel [US/US]; 1820 NE 163rd Street, Suite 305, North Miami Beach, FL 33162 (US).

(74) Agent: FISCHER, Ury; Lott &amp; Fischer, PL, Post Office Drawer 141098, Coral Gables, FL 33114-1098 (US).

(81) Designated States (unless otherwise indicated, for every kind of national protection available): AE, AG, AL, AM, AO, AT, AU, AZ, BA, BB, BG, BH, BR, BW, BY, BZ, CA, CH, CL, CN, CO, CR, CU, CZ, DE, DK, DM, DO,

DZ, EC, EE, EG, ES, FI, GB, GD, GE, GH, GM, GT, HN, HR, HU, ID, IL, IN, IS, JP, KE, KG, KM, KN, KP, KR, KZ, LA, LC, LK, LR, LS, LT, LU, LY, MA, MD, ME, MG, MK, MN, MW, MX, MY, MZ, NA, NG, NI, NO, NZ, OM, PE, PG, PH, PL, PT, QA, RO, RS, RU, RW, SC, SD, SE, SG, SK, SL, SM, ST, SV, SY, TH, TJ, TM, TN, TR, TT, TZ, UA, UG, US, UZ, VC, VN, ZA, ZM, ZW.

(84) Designated States (unless otherwise indicated, for every kind of regional protection available): ARIPO (BW, GH, GM, KE, LR, LS, MW, MZ, NA, RW, SD, SL, SZ, TZ, UG, ZM, ZW), Eurasian (AM, AZ, BY, KG, KZ, MD, RU, TJ, TM), European (AL, AT, BE, BG, CH, CY, CZ, DE, DK, EE, ES, FI, FR, GB, GR, HR, HU, IE, IS, IT, LT, LU, LV, MC, MK, MT, NL, NO, PL, PT, RO, RS, SE, SI, SK, SM, TR), OAPI (BF, BJ, CF, CG, CI, CM, GA, GN, GQ, GW, ML, MR, NE, SN, TD, TG).

## Published:

- with international search report (Art. 21(3))
- before the expiration of the time limit for amending the claims and to be republished in the event of receipt of amendments (Rule 48.2(h))

## (88) Date of publication of the international search report:

6 December 2012

(54) Title: BATTERY CONNECTOR FOR ELECTRONIC CIGARETTE WITH SIDE AIR INTAKE

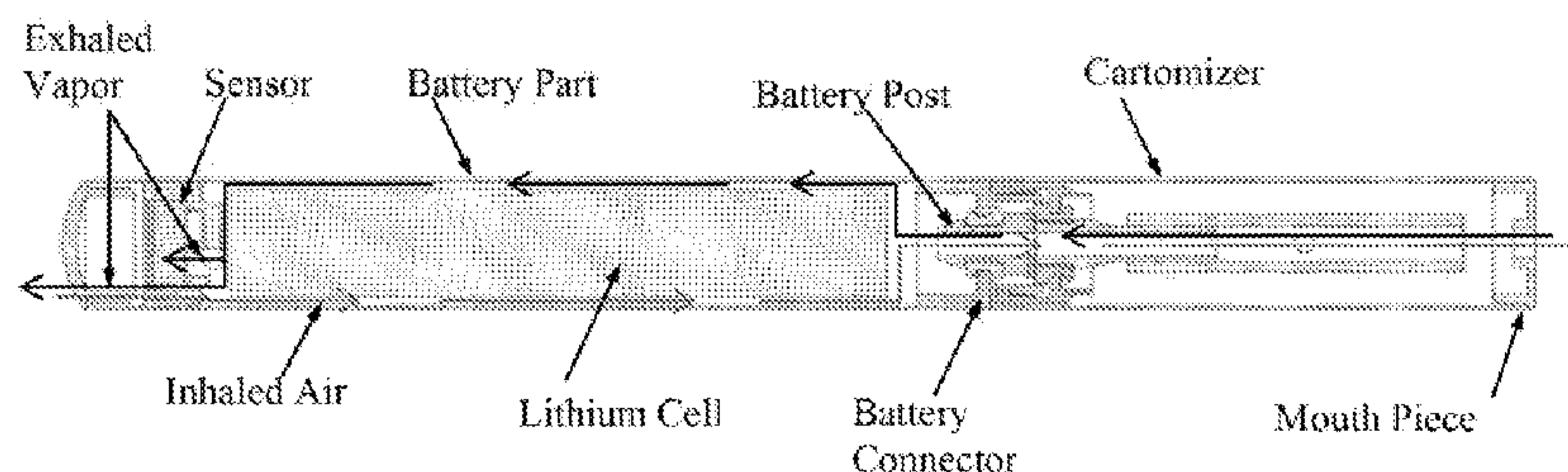


Figure 3

(57) Abstract: A novel electronic cigarette battery male connector that can be retrofitted to existing female cartomizer connectors is described. An air intake path starts at the outer circumference of the connector between the battery and the cartomizer of the electronic cigarette, running inside a notch on the connector. The air is brought into the battery through grooves formed on the distal end of the connector. Once inside the battery, the air path loops around and exits the battery housing towards the cartomizer, via a hole along the central axis of connector. In accordance with the desired air-intake path, the notch is cut out on the side of connector at strategic location and with strategic geometry.



WO 2012/142293 A3

**BATTERY CONNECTOR FOR ELECTRONIC CIGARETTE WITH  
SIDE AIR INTAKE**

**[0001] Technical Field**

[0002] This invention relates generally to electronic cigarettes and more specifically to a battery connector for an electronic cigarette having a side air intake for improved air in-flow and out-flow through the electronic cigarette.

**[0003] Background Art**

[0004] Electronic cigarettes are becoming a popular alternative to tobacco smoking because of the many advantages that they offer. One of the main reasons that they are popular is due to their similarities to tobacco smoking. In fact, the closer that they are in providing the experience of a traditional cigarette, the more likely they are to be accepted in the market place.

[0005] An electronic cigarette typically comprises a battery, an atomizer, a container of smoke juice, a heating element and a power control circuit. The battery is used to power the circuit and the atomizer, where the atomizer heats the smoke juice to create smoke or vapor, which is inhaled by a user.

[0006] One example of an electronic cigarette (hereinafter an "Electronic Cigarette" or "E-cigarette") is a "two-piece" device having a first battery

- 2 -

section and a second atomizer section, wherein the atomizer section is detachable from the battery section.

[0007] An example of one such Electronic Cigarette is shown in **Figures 1** and **2**. In some embodiments, the battery section **B** contains a power cell, an airflow sensor, and a chipset (hereinafter referred to as, the Battery). In some embodiments, the atomizer section **A** contains a heating element and a container of "smoke juice" which comprises flavorings and a vaporizing base, such as glycol (hereinafter referred to as a "Cartomizer"). Typically, the Battery and Cartomizer are physically and electrically connected by a threaded engagement. In some embodiments, the Battery has the "male" threaded portion and the Cartomizer has the "female" threaded portion, as shown in **Figure 2**.

[0008] In the beginning stages of development of the Electronic Cigarette, it was natural to copy the air flow and to mimic its path similar to the way it behaves in a traditional cigarette. In a tobacco cigarette, air enters the tip, which collects the smoke and enters the smoker's mouth through the "filter." Likewise, early E-cigarettes had one or more notches at the tip of the Battery to allow air intake. Air would enter from the tip, pass through the entire Battery, and continue through the Cartomizer, the vapor-producing portion

of the E-cigarette, and enter the smoker's mouth via the distal end of the Cartomizer, which functions as a mouth piece.

[0009] A cross-section of an example of this arrangement can be seen in **Figure 3**. As shown in **Figure 3**, when air is inhaled through the mouthpiece, air enters the tip of the cigarette, travels past an air flow sensor through the spaces provided around the sensor, and continues past the battery (in this case a lithium cell.) It then goes through the opening in the axis of a post engaged with the Battery's male connector, and straight into a post engaged to the female connector of the Cartomizer. The air is then inundated with atomized particles of liquid vapor and exits through the mouthpiece of the Cartomizer into the smoker's mouth.

[0010] Heretofore, there has often been a specific problem with tip-intake Electronic Cigarettes that the present invention aims to eliminate. When the smoker exhales into a tip-intake battery Electronic Cigarette (as smokers often do), the vapors from the mouth follow the reverse of the path described above – they flow inside the Battery towards the sensor and often condense causing the sensor to become clogged and fail. The exhalation likewise causes excess liquid in the Cartomizer to follow the same path into the Battery part towards the sensor, clogging it further and also causing it to fail. This also causes major difficulties in mass-production in terms of

maintaining consistent air flow and consistent sensitivity of the sensor from one Electronic Cigarette to the next.

[0011] Therefore it is desirable to avoid bringing the intake air through the entire length of the Battery through its rear tip (hereinafter "Tip-Intake"), and instead to bring it in through its front side (hereinafter "Side-Intake"), at the point where the Battery and Cartomizer sections meet.

[0012] However, it was always perceived as a necessity for the female threaded portion of the Cartomizer to have air slits at its edges when used in conjunction with a Side Intake Battery, because it was otherwise difficult to mass-produce machined male threads that allow air intake at its base. As a result, if it was desirable to change the design of the E-cigarette from the Tip-Intake type to the Side-Intake type, one would necessarily need to modify the female portion of the E-cigarette, i.e. the Cartomizer. Therefore, if it was desirable to make slits on the Battery section of the E-cigarette, one would need to redesign the entire E-cigarette so that the Battery section would be the female threaded portion and the Cartomizer section would be the male threaded portion. Additionally, one could never offer an option of interchanging the male Battery section between the Tip-Intake type with the Side-Intake type, while maintaining compatibility with the same female portion, since in the latter, the female Cartomizer would require slits at the

- 5 -

engagement point, whereas in the former, the female Cartomizer could not have slits, otherwise the resulting airflow through the E-cigarette would be too great.

[0013] Accordingly, implementation of a Side-Intake Electronic Cigarette has, until the present invention, been considered an expensive and complicated proposition which would, by necessity, require redesign of all parts of the device and eliminate the possibility of backwards-compatibility of the majority of internal parts of the device.

[0014] **Summary of Invention**

[0015] The present invention resolves the above problems and provide an air intake path from the side of the E-cigarette via modification to the male Battery connector, without modifying the female Cartomizer connector, while maintaining ease of manufacture – especially ease of machining the male Battery connector during mass production, and backwards compatibility whereas the same un-slited female Cartomizer could be used together with the male Battery connector for both the Tip-Intake and Side-Intake types of E-cigarettes.

[0016] The present invention also provides the possibility to create an air path that will allow a silent air intake, unlike other Side-Intake solutions that generate substantial hissing noise as the air enters from the side.

[0017] A cross-section of an Electronic Cigarette utilizing the Battery connector of the present invention is shown in **Figure 4**. As can be seen there, the spaces around the sensor are blocked so no air flow takes place through the cavity of the battery part. During inhalation, air enters from the side of the Battery and enters the post of the Battery via a groove in the battery post. It then enters into the Cartomizer through the axial opening in the Cartomizer post and exits the Cartomizer into the smoker's mouth. Although there is also provided an opening into the Battery through the battery post, there is minimal air or vapor flow through said opening (hereinafter "pressure differential channel") because the spaces around the sensor are blocked. As a result, during inhalation, the sensor can detect a pressure differential via said pressure differential channel.

[0018] During exhalation, the vapors do not enter into the battery part towards the sensor; they travel out through the side vents, opposite to the direction that air entered upon inhalation. Such a construction greatly extends the life of the product.

[0019] **Brief Description of Drawings**



[0020] **Figure 1** is an assembled view of a typical two-piece electronic cigarette.

[0021] **Figure 2** is a disassembled view of a typical two-piece electronic cigarette.

[0022] **Figure 3** is a cross-sectional view of an electronic cigarette in the prior art showing inhaled and exhaled air paths.

[0023] **Figure 4** is a cross-sectional view of an electronic cigarette using the novel connector herein described showing inhaled and exhaled air paths.

[0024] **Figures 5-12** are alternative embodiments of the connector of the present invention showing various arrangements of side vent apertures.

[0025] **Figures 13-15** illustrate an alternative embodiment of a connector of the present invention with a battery post of the present invention.

[0026] **Figure 16** is a cross-sectional view of an electronic cigarette using the connector and battery post shown in **Figures 13-15**.

[0027] **Figure 17** illustrates an alternative embodiment of a battery post of the present invention.

[0028] **Figure 18** is a cross-sectional view of an electronic cigarette using the connector of **Figure 13** and the battery post of **Figure 17**.

[0029] **Description of Embodiments of the Invention**

[0030] The present invention concerns various embodiments of a Battery-

Cartomizer connector for an Electronic Cigarette that creates an air-intake path that enters through the male connector (i.e. the Battery section), without the need to modify the female connector (i.e. the Cartomizer section) thereof. Accordingly, the present invention permits flexibility of design and product diversification for the E-cigarette manufacturer, maintains ease of manufacture and mass-production, and creates additional advantages such as reducing noise and hissing during air-intake (i.e. a "puff" or "drag").

[0031] **Figures 5-12** depict various embodiments of the connector of the present invention. It is understood that these figures depict a sectional view of an E-cigarette connector **1**, which joins the Battery section to the Cartomizer section by a threaded engagement. As shown in **Figures 5-12**, it is intended that the male Battery connector **M** at the proximal end **3** of the connector mates to a female portion of a Cartomizer, and the distal end **5** of the connector is attached, through a pressure or friction fit, or through other suitable means, to the Battery portion **B** (not shown) and functions as a "cap" thereof.

[0032] In some embodiments of the present invention, an air intake path starts at the outer circumference of the connector **1** between the Battery and the Cartomizer of the E-cigarette, running inside notch **9** on connector **1**. The air is thus brought into the Battery through grooves **10** formed on the

- 9 -

attachment (i.e., non-threaded) distal end **5** of the connector. Once inside the battery, the air path loops around and exits the Battery housing towards the Cartomizer, via a hole along the central axis of connector **1**. In accordance with the desired air-intake path, notch **9** is cut out on the side of connector **1** at strategic location and with strategic geometry.

[0033] In most E-cigarettes, connector **1** has a flange **7** that appears from the outside as a metallic ring when the separate parts of the E-cigarette are screwed together, like that shown in **Figure 1**. The resulting ring is usually very thin, and has little purpose other than cosmetic – to create a decorative divider between the two major parts of the E-cigarette (i.e. the Battery section and the Cartomizer section) and to cover the inside edge of the Battery housing. Cutting into this ring or removing a portion of it to create the desired air-intake characteristics of the present invention would expose the dull edge of the Battery housing and detracts from the esthetics of the product. However, in some embodiments of the present invention, the thickness of the flange is increased so that a portion of it can be cut or milled away, resulting in notch **9**, while the remaining portion of the flange thickness will still retain the aesthetic design and still cover the internal edge of the housing.

[0034] Accordingly, as shown in **Figure 5**, in some embodiments of connector **1**, notch **9** begins at the outer perimeter of the flange **7**, toward distal end **5** and travels toward the center axis of flange **7**, resulting in a rectangular shape.

[0035] In some embodiments, such as in **Figure 6**, aperture **11** is bored through the wall of the distal end **5** of connector **1** at substantially the same radial location as notch **9**. This configuration increases the air-intake volume, permitting less-constricted air flow through the connector **1** and the Battery section.

[0036] In some embodiments, such as in **Figure 7**, slot **13** is milled along the curved wall of the distal end **5** of connector **1**, with notch **9** located substantially across from the center of slot **13**, radially. As shown, slot **13** is oriented perpendicular to the longitudinal axis of connector **1**.

[0037] In some embodiments, such as in **Figure 8**, channel **15** is milled across the outer surface of the distal end **5** of connector **1**, beginning at notch **9** and terminating at the end of distal end **5**. In this configuration, notch **9** has a substantially curved profile that transitions uniformly into channel **15**. In this configuration, channel **15** is milled substantially parallel to the longitudinal axis of connector **1**.

[0038] In some embodiments, such as in **Figure 9**, fanned channel **17** is milled across the outer surface of the distal end **5** of connector **1**, beginning at notch **9** and terminating at the end of distal end **5**. Notch **9** has a substantially curved profile that transitions into fanned channel **17**. Fanned channel **17** is milled substantially parallel to the longitudinal axis of connector **1**.

[0039] In some embodiments, such as in **Figure 10**, channel **19** is milled away all around the outer circumference of flange **7**, along its distal edge. The purpose of channel **19** is to allow for air intake even when a user happens to hold his finger over notch **9** during smoking. When that happens, air enters channel **19** and runs along the channel until it reaches and enters notch **9**.

[0040] In some embodiments, such as in **Figure 11**, channel **21** is milled away all around the outer circumference of flange **7**, substantially in the middle of the flange. Several apertures **23** are bored through the wall of the flange. The purpose of channel **21** is to allow for air intake even when a user holds his finger over an aperture **23** during smoking. When that happens, air enters channel **21** and runs along the channel until it reaches and enters an aperture **23**.

[0041] In some embodiments, such as in **Figure 12**, notch **25** is cut out through the wall of flange **7** on the side of connector **1** at strategic location and with strategic geometry. Slot **27** is cut out of the distal end **5** of connector **1**, beginning at notch **25** and terminating at the end of distal end **5**. In this configuration, notch **25** has a rectangular profile that transitions uniformly into slot **27**.

[0042] Another embodiment of the connector of the present invention is shown in **Figures 13-15**. **Figure 13** shows the connector without a battery post, **Figure 14** shows the battery post and **Figure 15** shows the battery post and connector assembled. As shown in **Figure 13**, instead of a notch in the outer perimeter of the flange **7**, toward distal end **5**, perpendicular surface channels **30** are drilled on shelf **31** of flange **7**. The channels continue and penetrate through the shaft **32** of connector **1** (in which threads are not shown for purposes of clarity) at orifices **33** and continue through inner shelf **45**. The engaging battery post **34**, shown in **Figure 14**, includes a longitudinal orifice **35** (beginning on the surface of post head **37** and continuing longitudinally completely through the post) that forms the pressure differential channel, as well as a groove **36** which assists in guiding air inhaled or exhaled through perpendicular surface channel **30** and orifice **33**.

[0043] It should be noted here that although in **Figure 15** groove **36** is shown aligned with perpendicular surface channel **30** and orifice **33**, because the outer diameter of post head **37** is smaller than the inner diameter of shaft **32**, such alignment is not necessary to allow for unimpeded air flow through connector **1**.

[0044] The airflow through the connector and battery post combination shown in **Figures 13-15** is illustrated in **Figure 16**. As shown in **Figure 16**, one possible draw-back of this arrangement is that upon exhalation, any excess fluid (vapor, saliva, etc.) could be blown through orifice **35**, into the pressure differential channel and into the Battery.

[0045] An alternative embodiment for a battery post designed to minimize this problem is shown in **Figure 17**. As shown in this figure, there is no orifice drilled through post head **37**. Rather, the air path to the pressure differential channel is created by channel **38** which is drilled beneath groove **36** on the side **39** of post head **37**. Channel **38** perpendicularly intersected by the pressure differential channel (not shown) which is drilled longitudinally from battery post end **40**.

[0046] The airflow through a connector such as that shown in **Figure 13** using the battery post shown in figures **Figure17** is illustrated in **Figure 18**.

As is shown in this figure, there is no direct path for excess liquid to migrate into the Battery compartment.

[0047] The connector 1 of the present invention has an additional major advantage in that those embodiments shown in **Figures 5-18** allow for a substantially silent air-intake without the excessive hissing or noise associated with other known E-cigarettes. Another major advantage of the present invention is its application in newly introduced V-Go and E-go (large-capacity electronic cigarettes) E-cigarettes. V-go and E-go E-cigarettes, which almost always have a side-intake, cannot be used with non-vented female Cartomizers. Heretofore manufacturers always had to resort either to vented female Cartomizers or non-vented male Cartomizers. However, with the present invention, it is possible to create V-go and E-go E-cigarettes that will be interchangeable with Tip-Intake E-cigarettes so that they are compatible with the same existing female unvented Cartomizers, without the need to modify the Cartomizers.

[0048] It should be appreciated that although the above-described embodiments demonstrate that the some embodiments of the present invention are designed such that the Battery comprises the "male" connection and the Cartomizer comprises the "female" connection, the reverse configuration may be equally suitable, depending on design



- 15 -

requirements. Accordingly, the Cartomizer may comprise the “male” connection and the Battery may comprise the “female” connection.

[0049] It will be understood that the preferred embodiments of the present invention have been disclosed by way of example and that other modifications and alterations may occur to those skilled in the art without departing from the scope of the disclosure herein.

**Claims**

I claim,

1. A cylindrical connector for coupling two ends of an electronic cigarette, comprising:

a proximal end and a distal end;

a longitudinal opening through said connector from said proximal end through said distal end;

a shaft having an external screw thread at said proximal end;

a plurality of grooves formed circumferentially on the external surface of said distal end;

a flange having an external surface and located between said proximal and distal ends; and

a notch formed on the external surface of said flange, said notch configured to be in fluid communication with one or more of said plurality of grooves;

wherein upon attachment of an enclosed electronic cigarette tip to said distal end of said connector, an air path is established commencing at said notch, continuing through said one or more grooves in fluid communication therewith, continuing through said longitudinal opening and exiting through said proximal end.

- 17 -

2. The cylindrical connector of claim 1 further comprising an aperture through the wall of the connector and through said one or more grooves near said distal end, wherein said aperture is substantially radially aligned with said notch, wherein said aperture forms a supplemental air path through said connector.

3. The cylindrical connector of claim 1 further comprising a radial channel formed on said external surface of said flange extending for the entire circumference of said flange, said radial channel providing an alternative entry for said air path in the event said notch is blocked.

4. A cylindrical connector for coupling two ends of an electronic cigarette, comprising:

a proximal end and a distal end;

a longitudinal opening through said connector from said proximal end through said distal end;

a shaft having an external screw thread at said proximal end;

a plurality of grooves formed circumferentially on the external surface of said distal end;

a flange having an external surface and located between said proximal and distal ends;

- 18 -

a shelf formed by the difference in external diameter between said shaft and said distal end; and

a channel formed on said shelf which is coincident with apertures formed through the side walls of said shaft and in fluid communication with said longitudinal opening;

wherein upon attachment of an enclosed electronic cigarette tip to said distal end of said connector, an air path is established between said channel and said longitudinal opening and exiting through said proximal end.

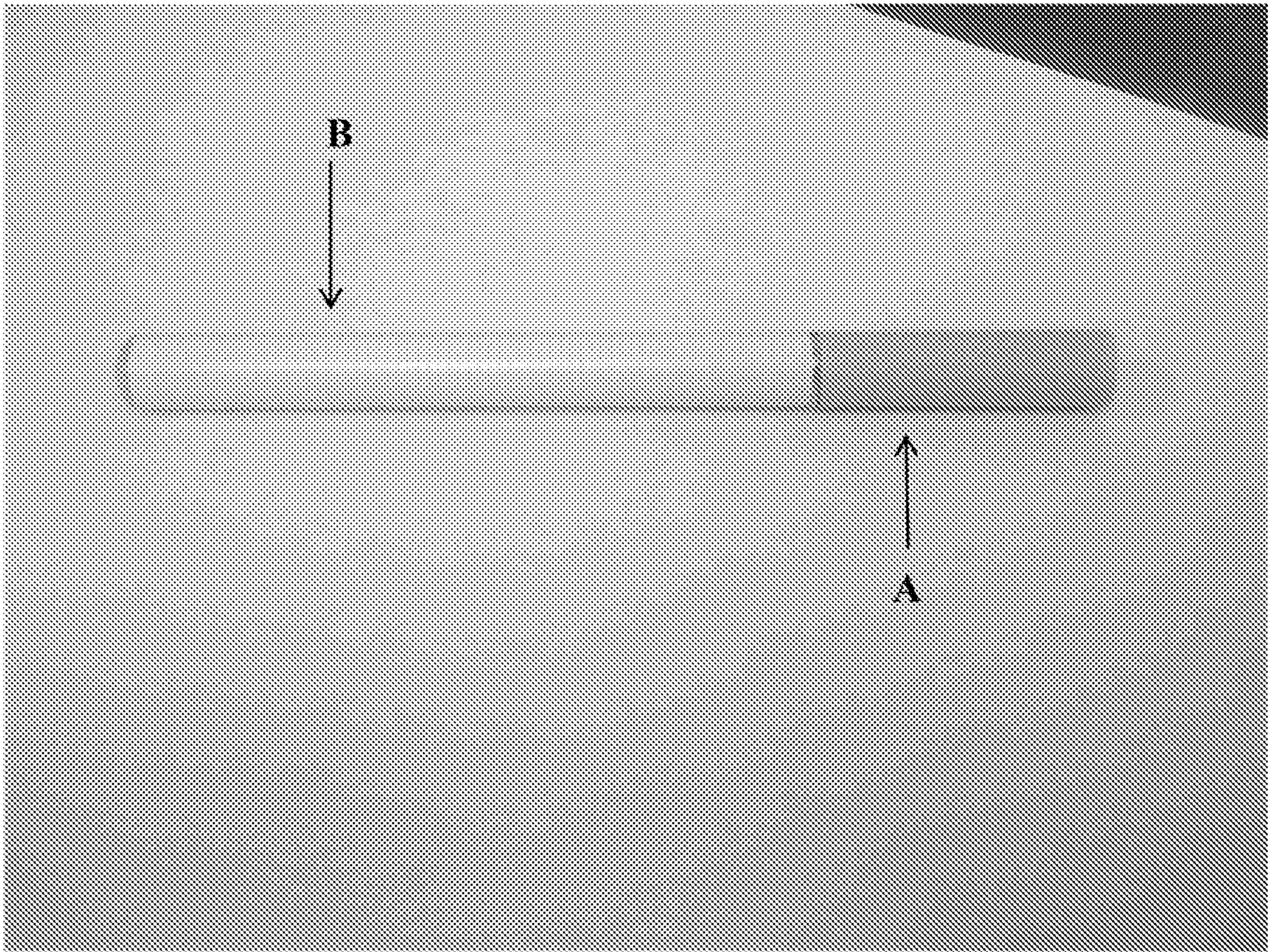


Figure 1

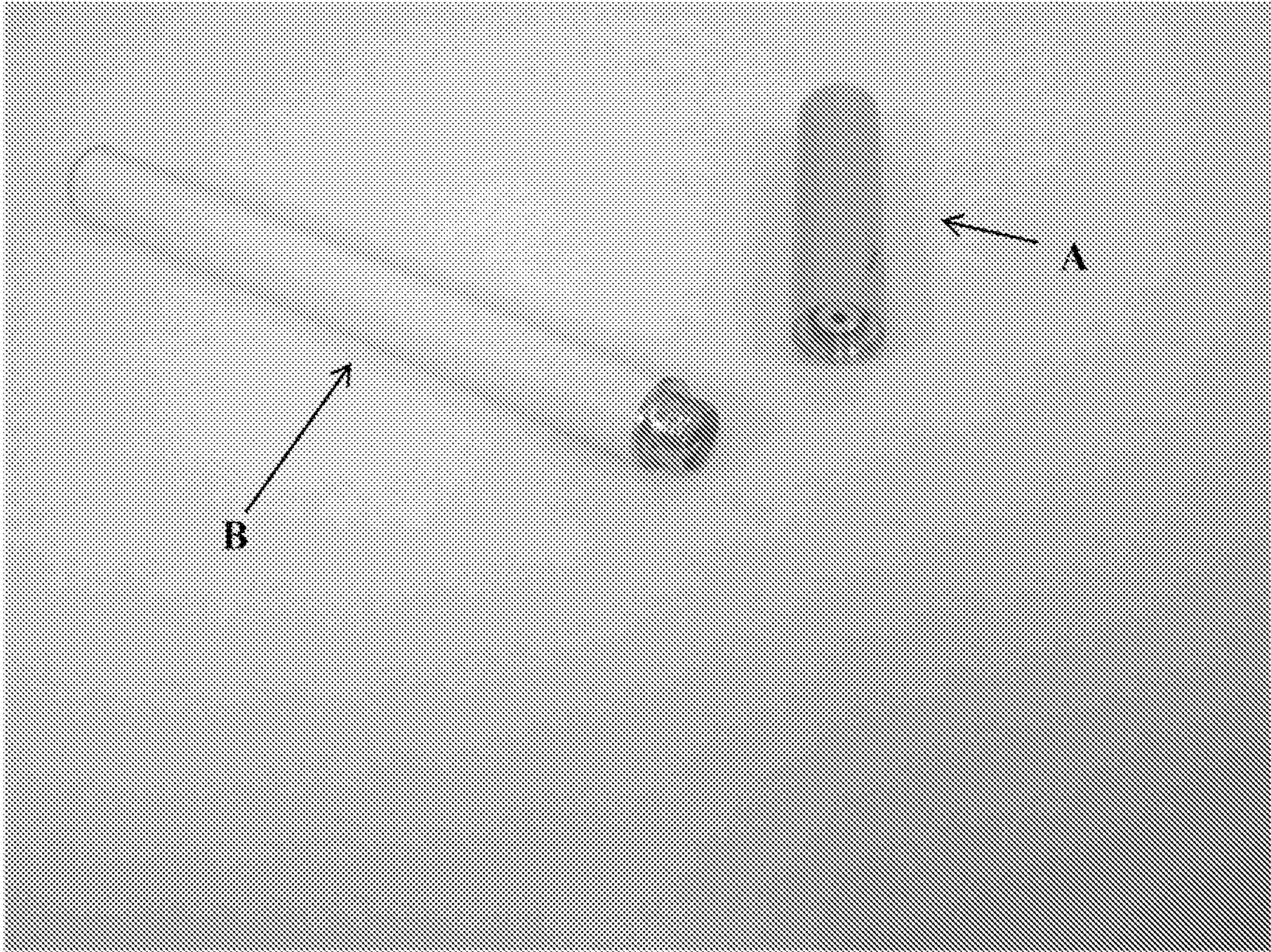


Figure 2

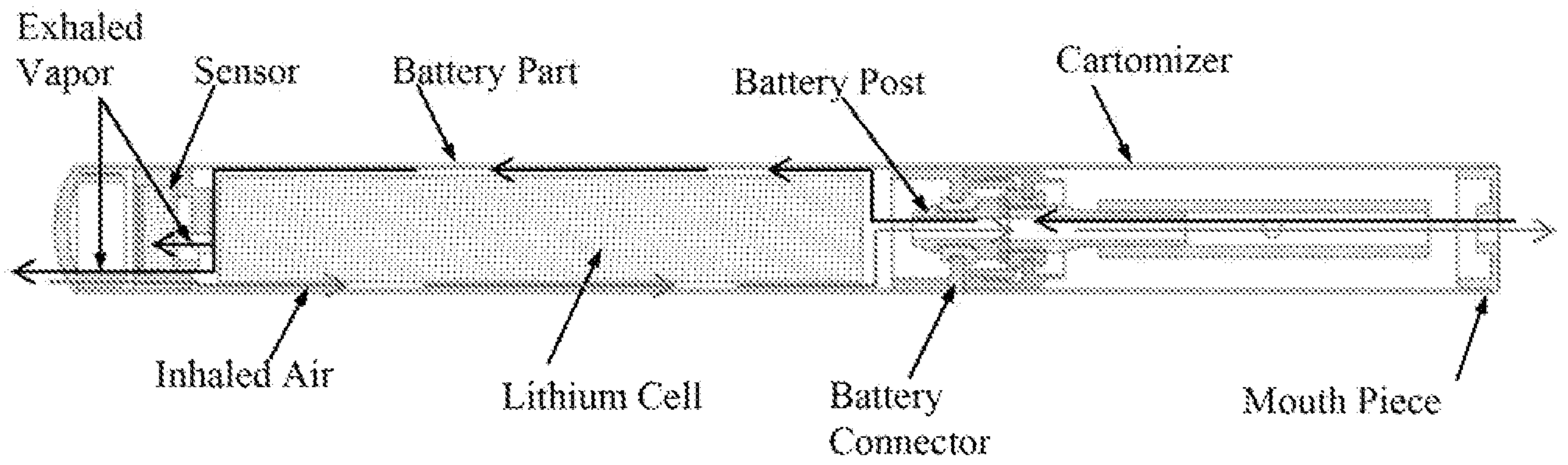


Figure 3

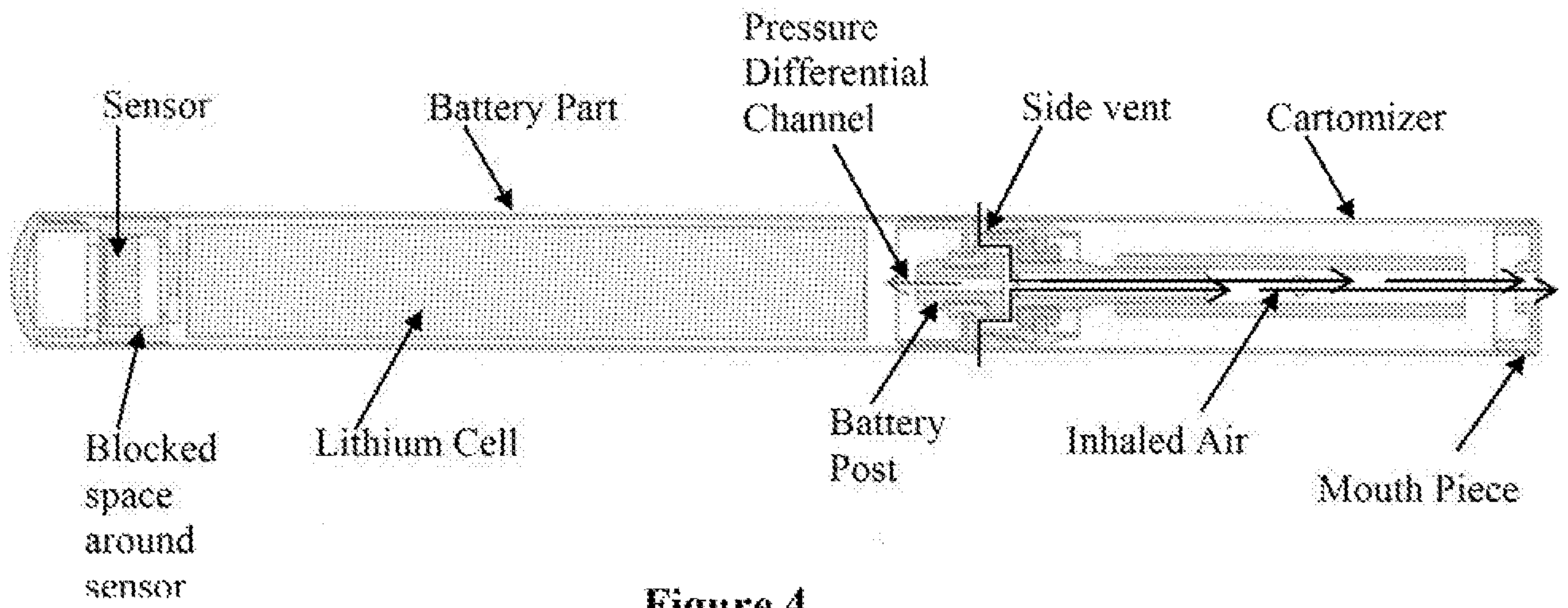


Figure 4



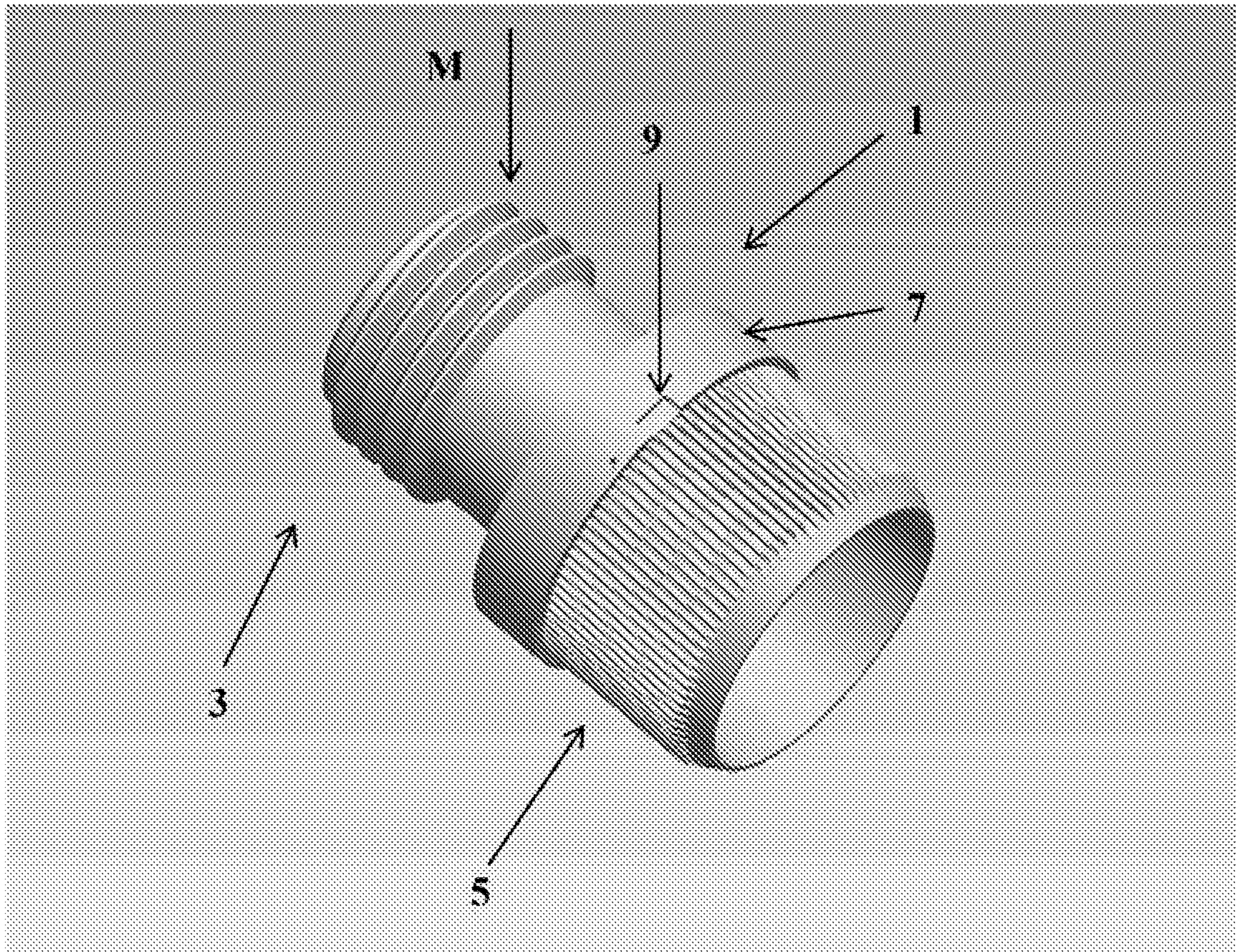


Figure 5

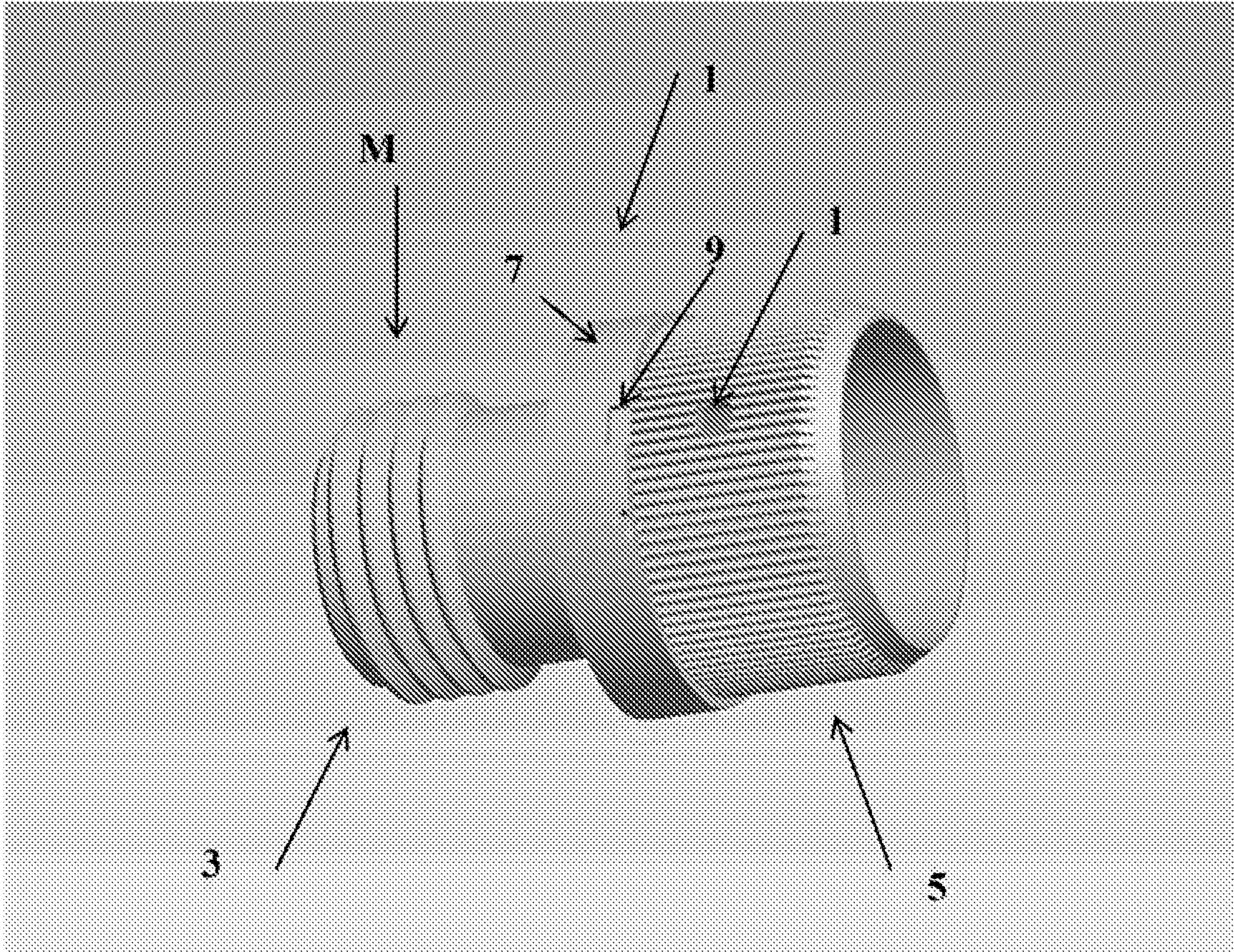


Figure 6

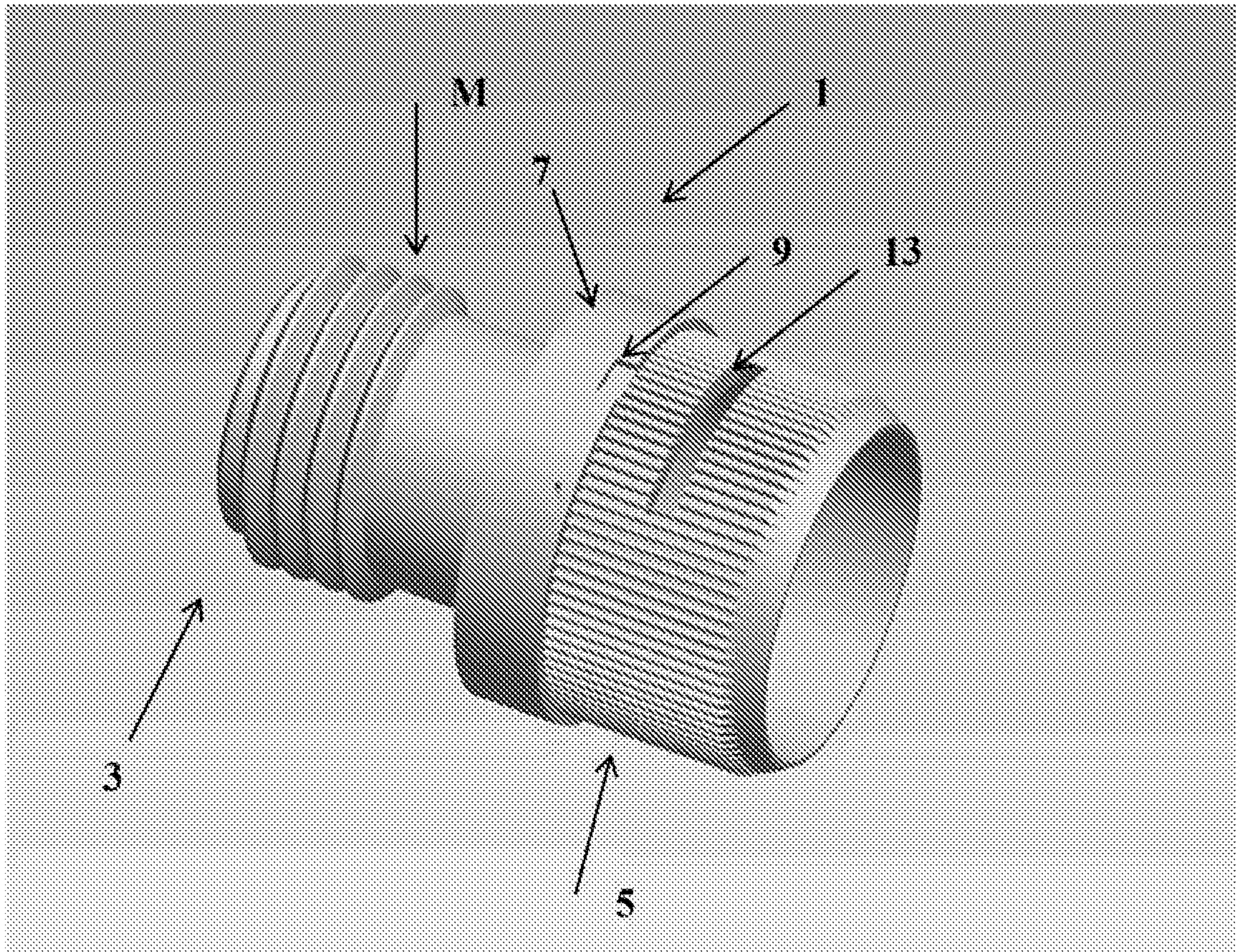


Figure 7

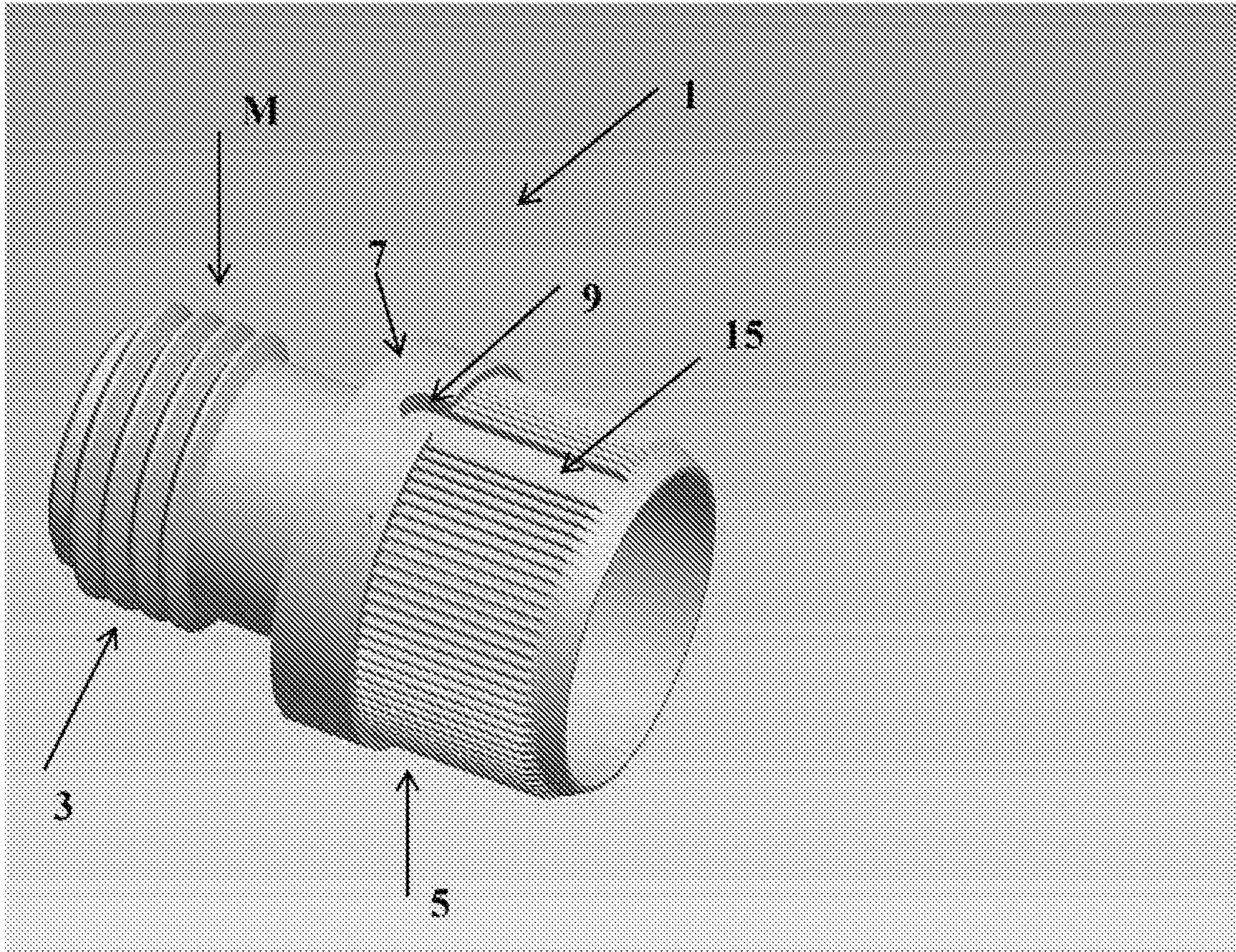


Figure 8

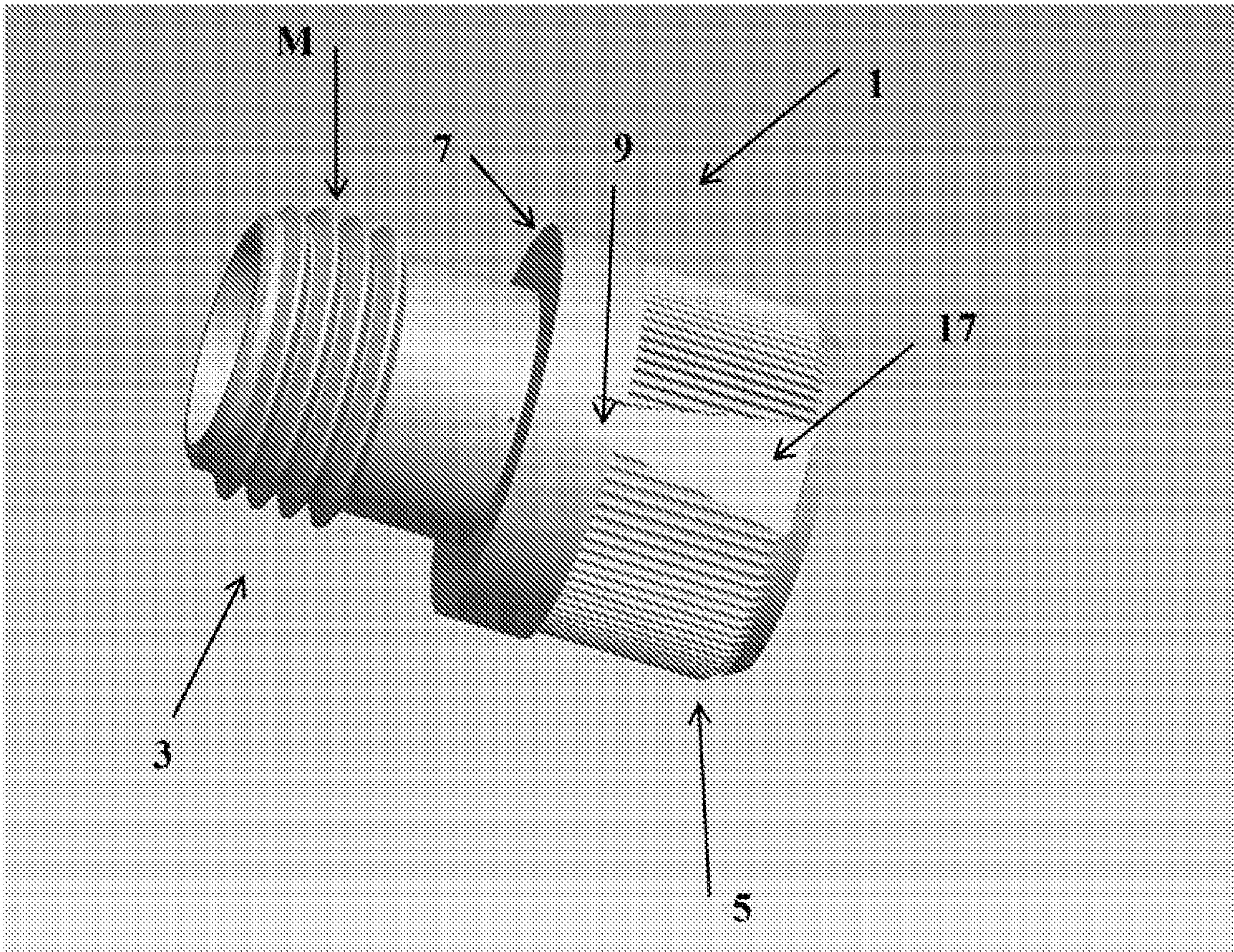


Figure 9

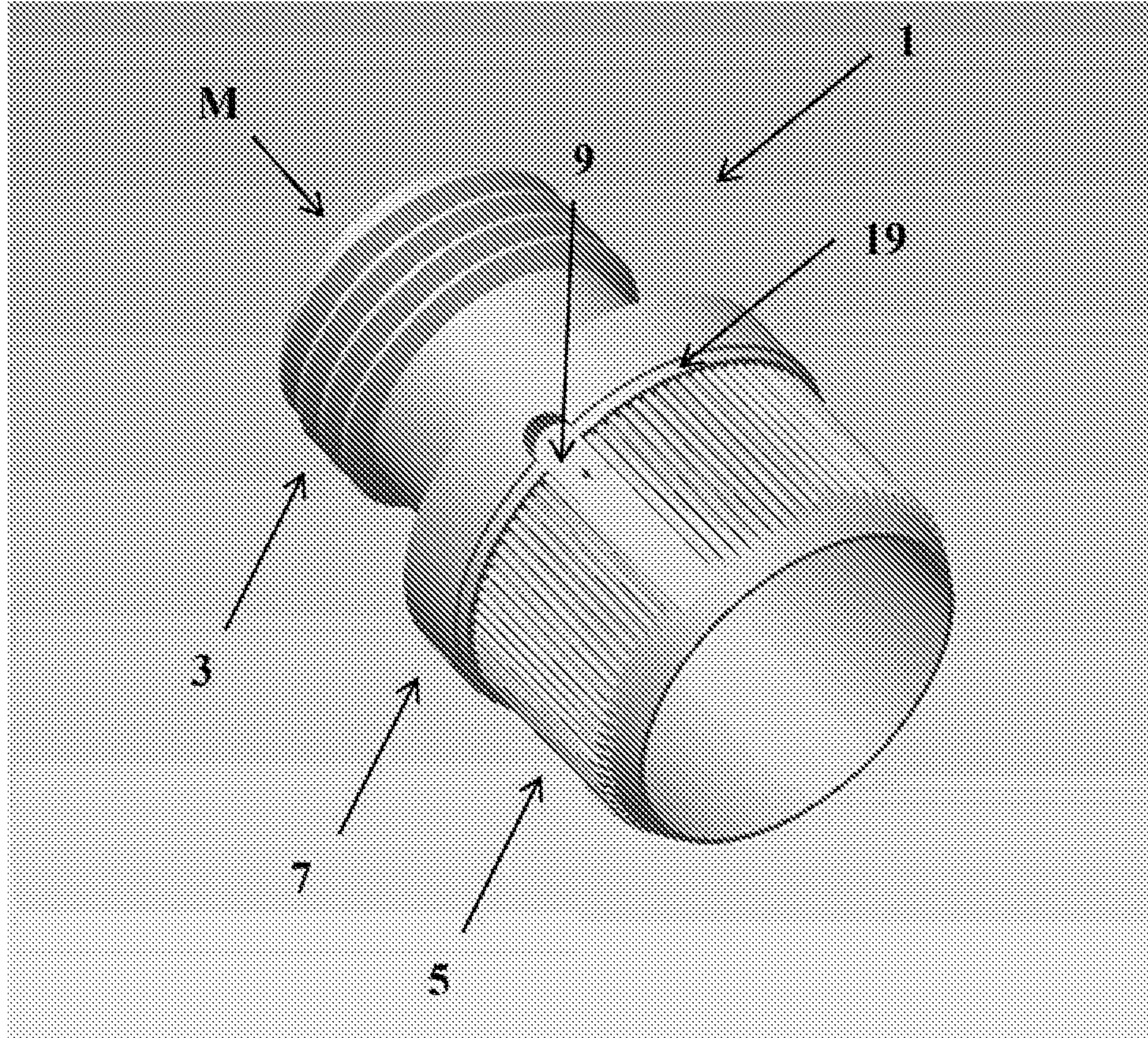


Figure 10

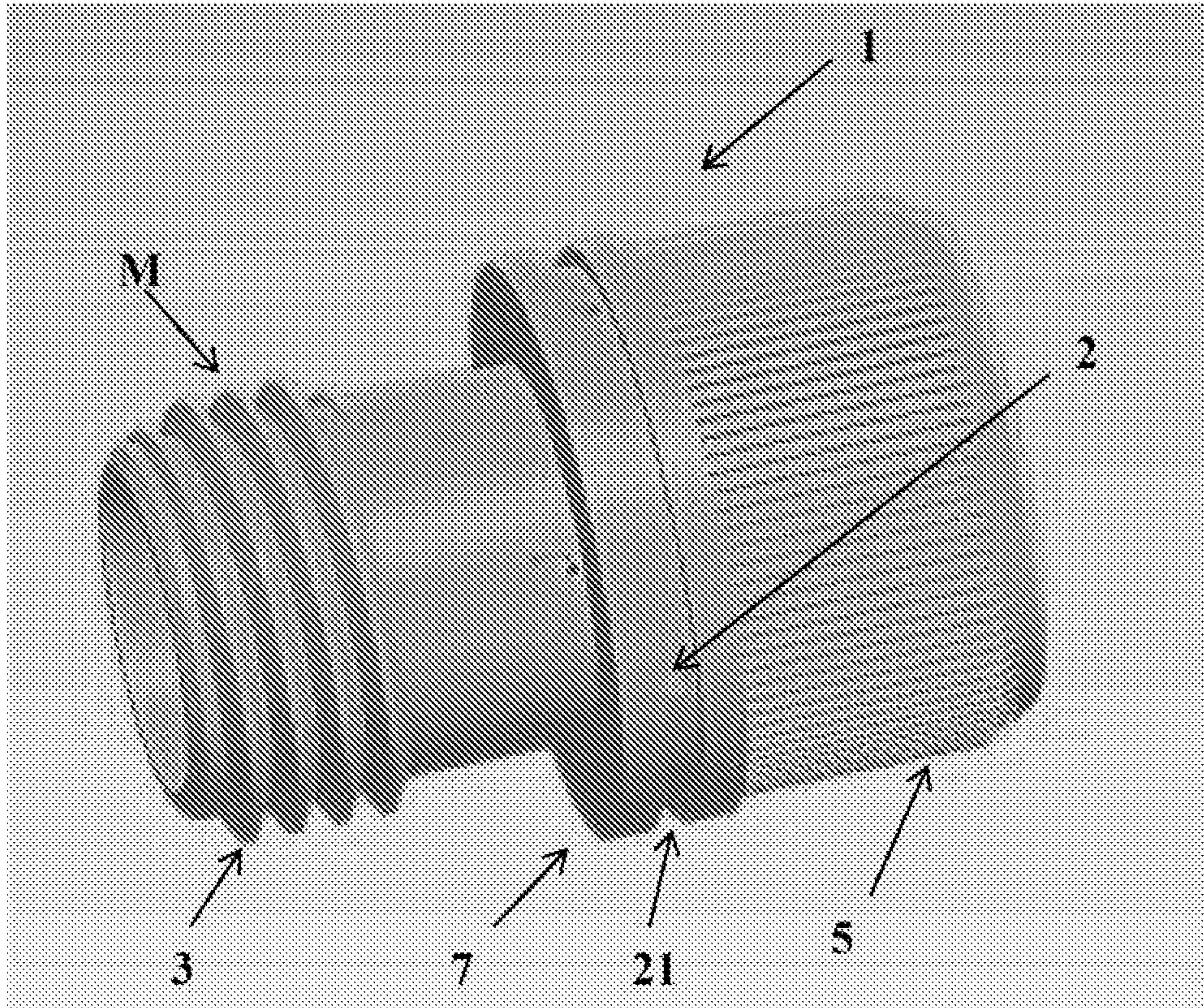


Figure 11

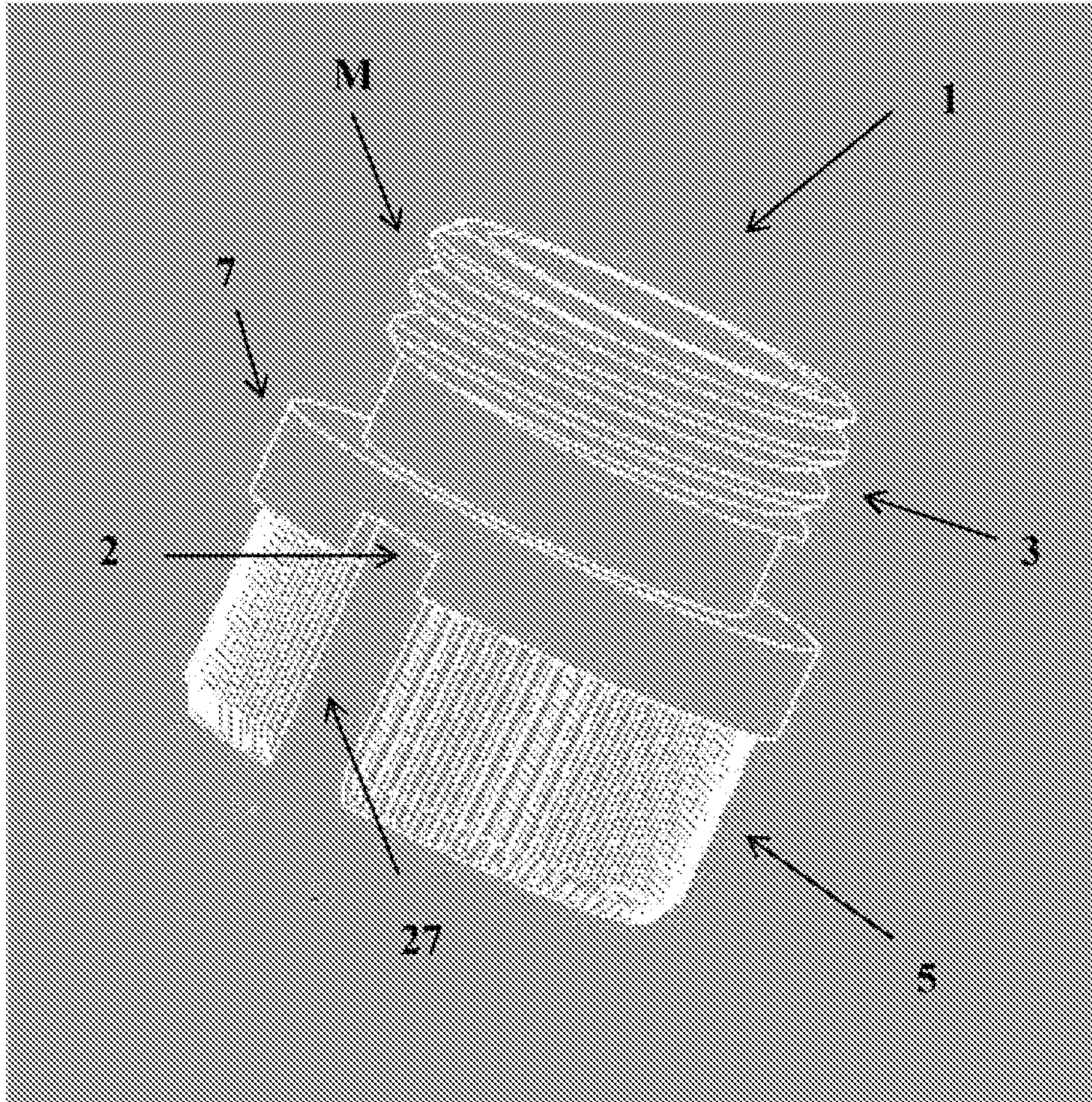


Figure 12



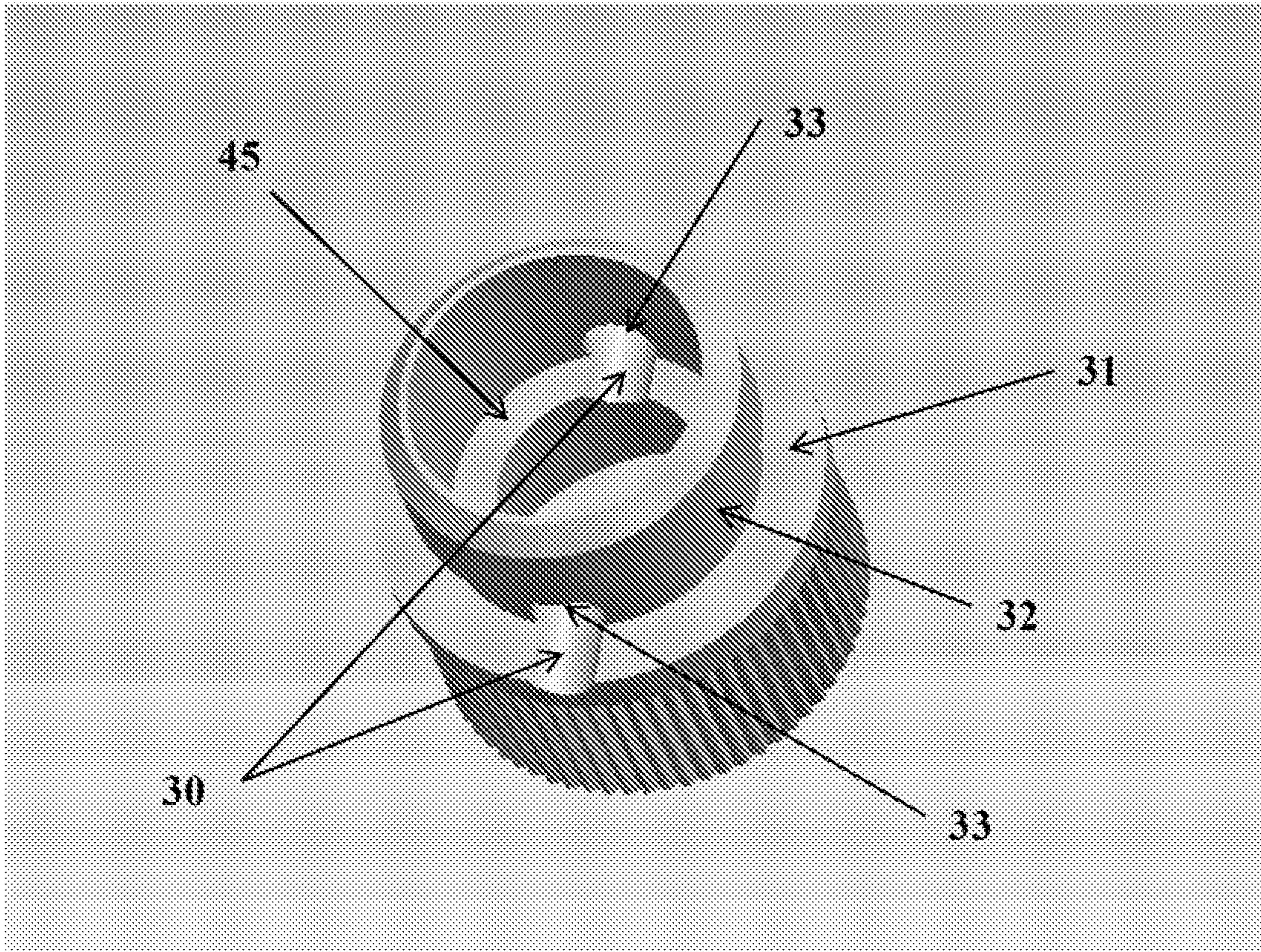


Figure 13

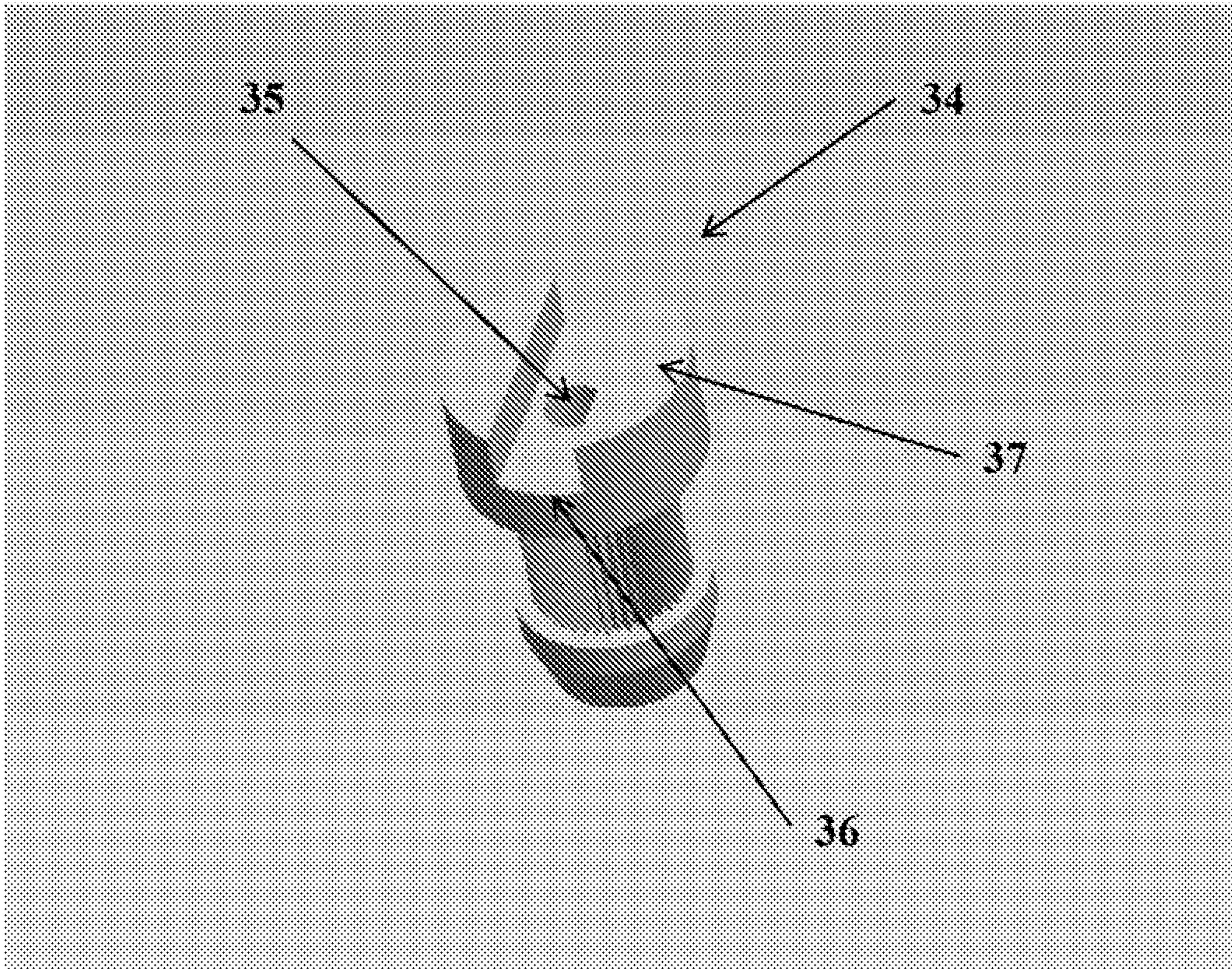


Figure 14

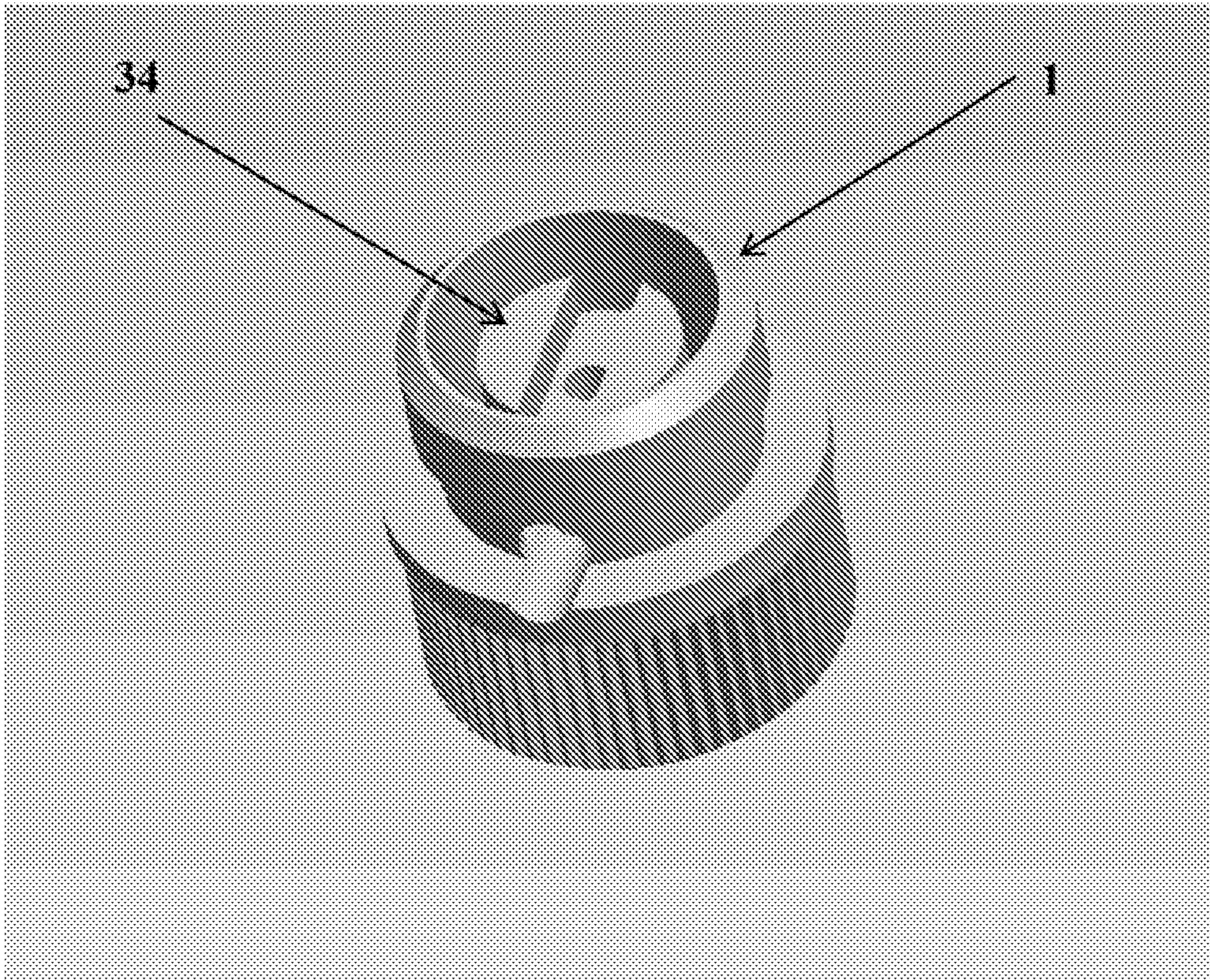


Figure 15

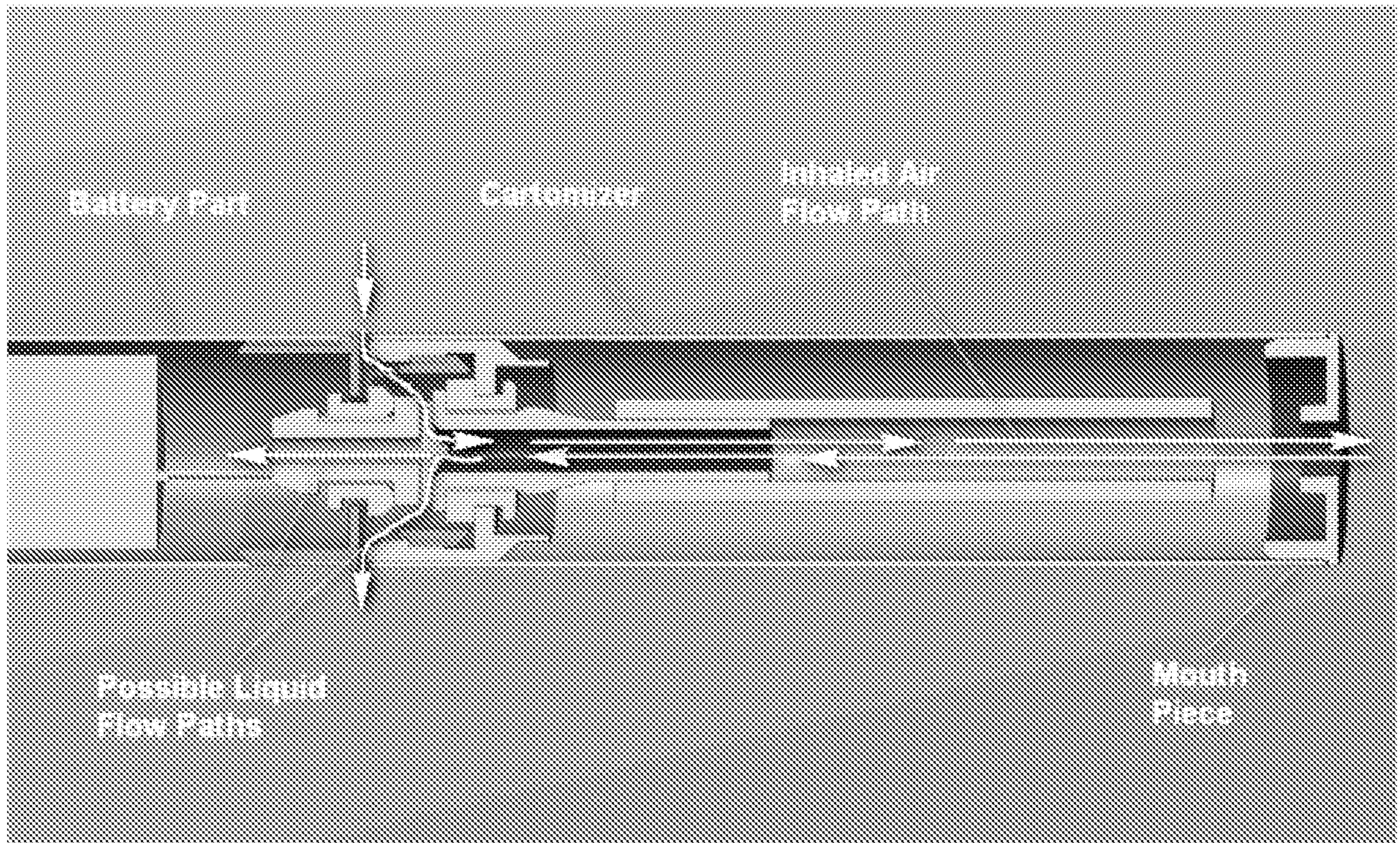


Figure 16

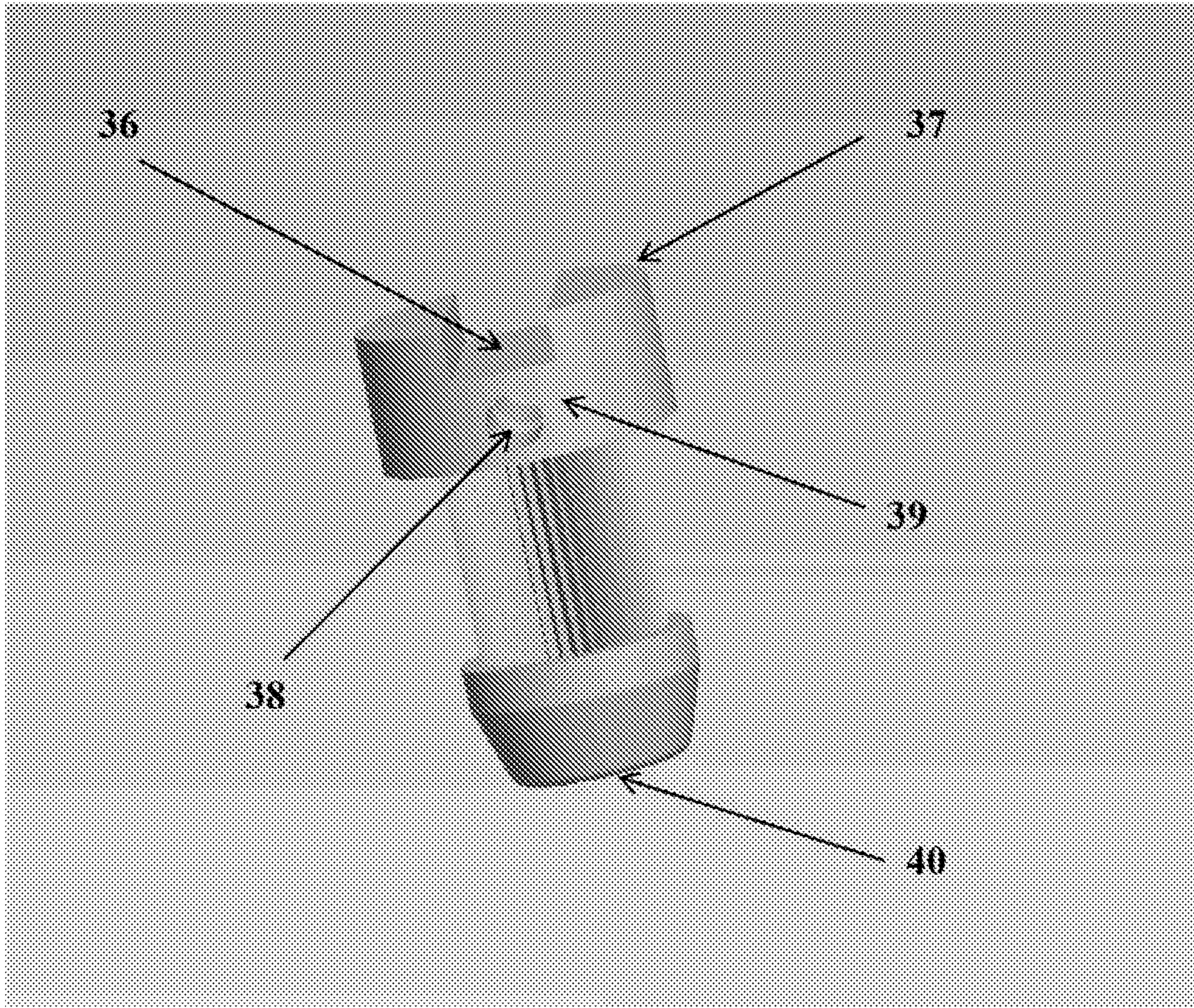


Figure 17

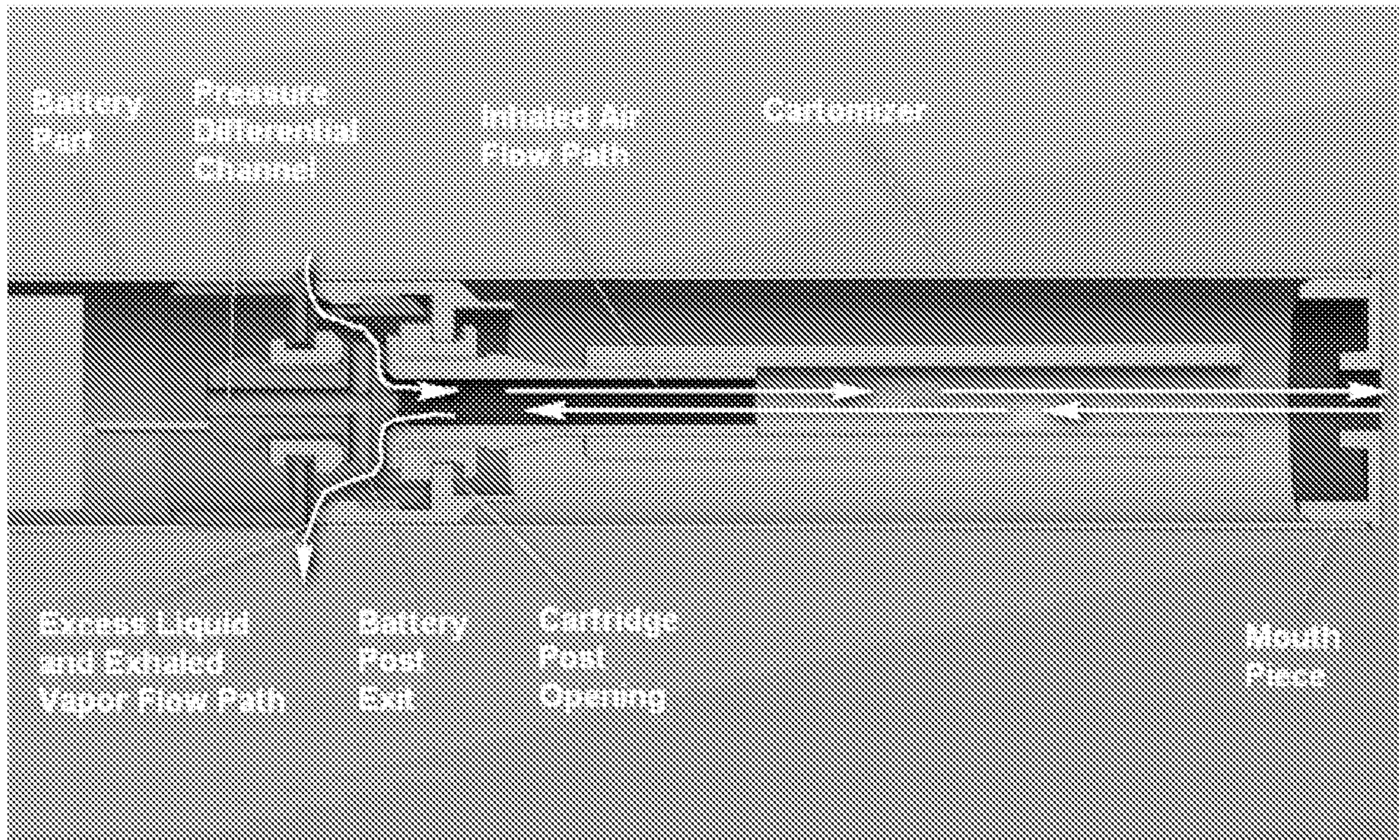
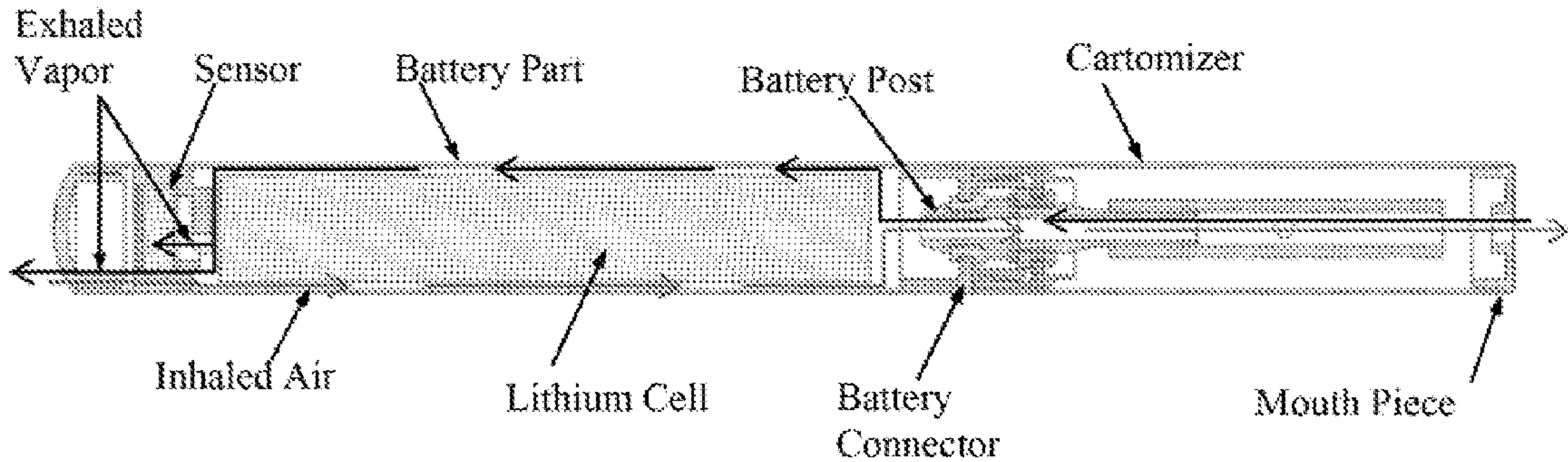


Figure 18



**Figure 3**