



US0D1021079S

(12) **United States Design Patent** (10) **Patent No.:** **US D1,021,079 S**
Kardel et al. (45) **Date of Patent:** **** Apr. 2, 2024**

(54) **SURGICAL WASH BASIN**

D810,285 S * 2/2018 Adams D24/123
D834,157 S * 11/2018 L'Henaff D23/277
D874,020 S * 1/2020 Kamees D24/227

(71) Applicant: **NewGen Surgical, Inc.**, San Rafael, CA (US)

(Continued)

(72) Inventors: **Paul Kardel**, San Rafael, CA (US);
Robert N. Chase, San Rafael, CA (US); **Peter Szyperski**, San Rafael, CA (US)

FOREIGN PATENT DOCUMENTS

CA 193254 * 4/2022
CN 303795188 * 8/2016
KR 301242911.0000 * 12/2023

(73) Assignee: **NewGen Surgical, Inc.**, San Rafael, CA (US)

OTHER PUBLICATIONS

Teyyv 13 L Plastic Bus Box/Utility Box, Teyyv, Amazon.com, [Post date: Dec. 8, 2019], [Site seen: Jan. 9, 2024], Seen at URL: https://www.amazon.com/Teyyv-Plastic-Utility-Commercial-4-Pack/dp/B082HCXKTX/ref=sr_1_209_sspa (Year: 2019).*

(Continued)

(**) Term: **15 Years**

Primary Examiner — Natasha Vujcic
Assistant Examiner — Gilbert B Ford
(74) *Attorney, Agent, or Firm* —
www.NielsenPatents.com; Steven A. Nielsen

(21) Appl. No.: **29/826,266**

(57) **CLAIM**

The ornamental design for a surgical wash basin, as shown and described.

(22) Filed: **Feb. 10, 2022**

DESCRIPTION

(51) **LOC (14) Cl.** **24-04**

FIG. 1 is a top and side perspective view of a surgical wash basin showing a new design;
FIG. 2 is a bottom and side perspective view thereof;
FIG. 3 is a front side view thereof;
FIG. 4 is a back view thereof;
FIG. 5 is a right side view thereof;
FIG. 6 is a left side view thereof;
FIG. 7 is a top view thereof; and,
FIG. 8 is a bottom view thereof.

(52) **U.S. Cl.**

USPC **D24/123**; D9/432

The logo or parts thereof are shown in dashed lines on FIGS. 1 and 7 show environmental conditions only and form no part of the claimed design.

(58) **Field of Classification Search**

USPC D24/121, 123, 216–227; D23/309;

D9/432–429; D7/584–587

CPC A61H 35/006; A47K 3/02; A61J 19/00;

B60R 15/02

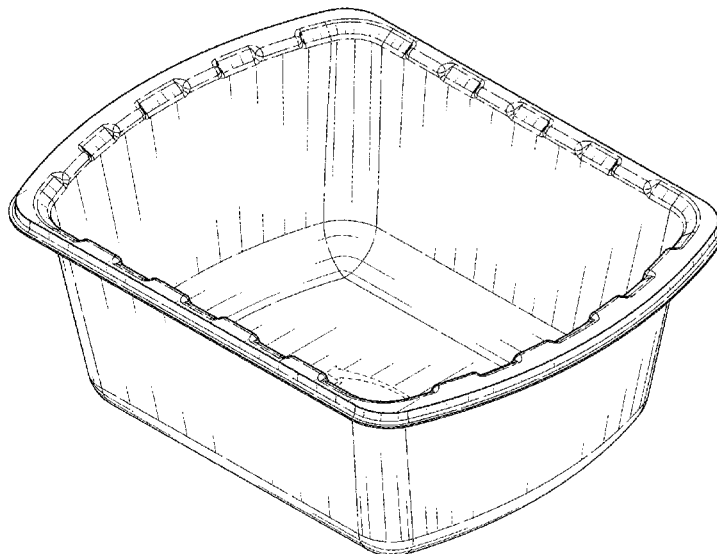
See application file for complete search history.

1 Claim, 5 Drawing Sheets

(56) **References Cited**

U.S. PATENT DOCUMENTS

D316,146 S * 4/1991 Payne D24/227
D383,671 S * 9/1997 Phillips D9/429
D554,988 S * 11/2007 Sim D9/425
D581,266 S * 11/2008 Vovan D9/429
D605,936 S * 12/2009 Durdon D9/425
D606,177 S * 12/2009 Urquiola D23/293.1
D675,919 S * 2/2013 Krueger D9/432
D678,051 S * 3/2013 Krueger D9/432
D688,941 S * 9/2013 Sifuentes D7/602
D738,205 S * 9/2015 Astorga D9/429
D778,154 S * 2/2017 Strachan D9/432



(56)

References Cited

U.S. PATENT DOCUMENTS

D896,369	S	*	9/2020	Chase	D24/227
D968,212	S	*	11/2022	Cox	D9/425
D976,652	S	*	1/2023	Gomoll	D7/585
D987,190	S	*	5/2023	Hong	D28/62
D993,441	S	*	7/2023	Henke	D3/304
D1,002,866	S	*	10/2023	Knoppke	D24/222

OTHER PUBLICATIONS

199095 | Medegen Medical Products LLC #H360-10, MckEsson, [Post date: Nov. 1, 2022], [Site seen: Jan. 9, 2024]k, Seen at URL: <https://mms.mckesson.com/product/199095/Medegen-Medical-Products-LLC-H360-10> (Year: 2022).*

Medical Surgical Disposable Kidney Dish , Standard Instruments Plastic Dish Basin, [Post Date Dec. 8, 2022], [Site seen: Jan. 9, 2024], Seen at URL: <https://www.disposablesurgicalpacks.com/sale-11695456-medical-surgical-disposable-kidney-dish-standard-instruments-plastic-dish-basin.html> (Year: 2022).*

* cited by examiner

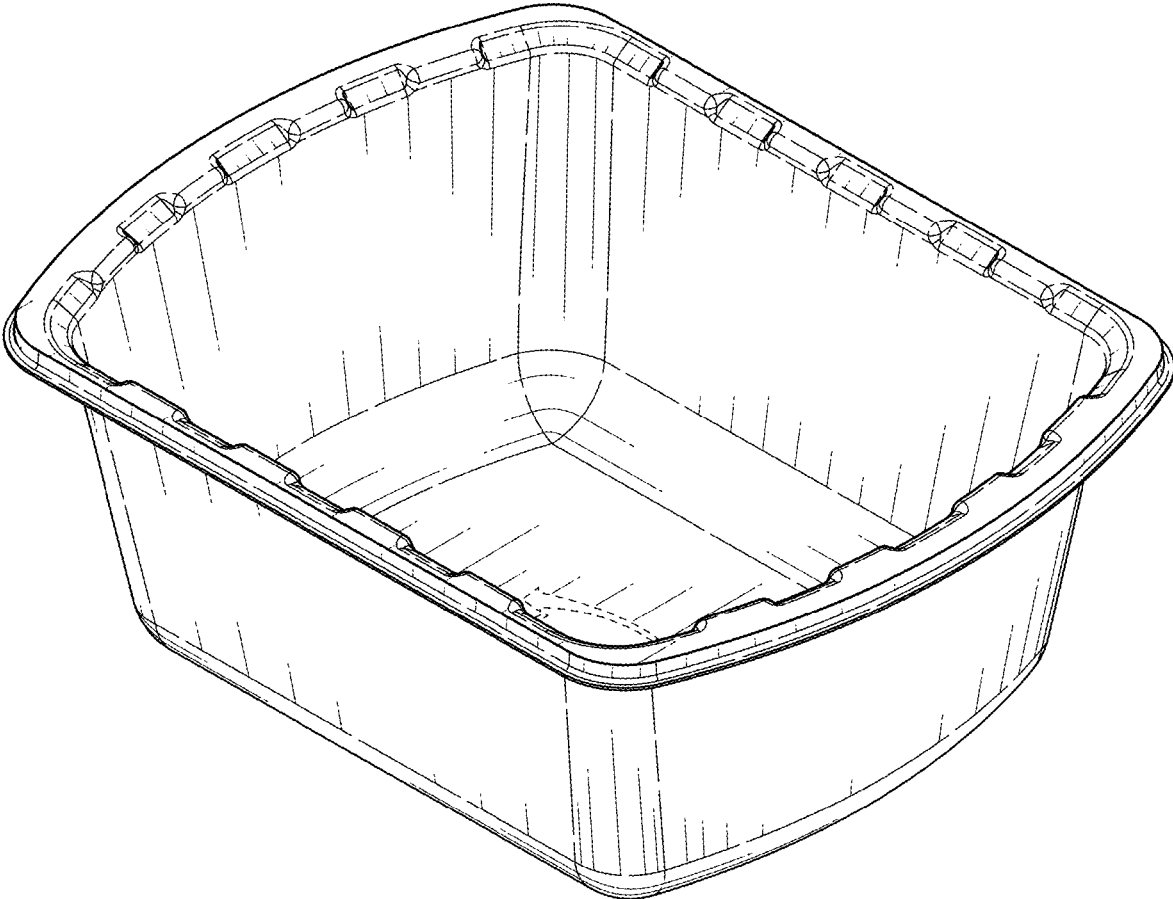


FIG. 1

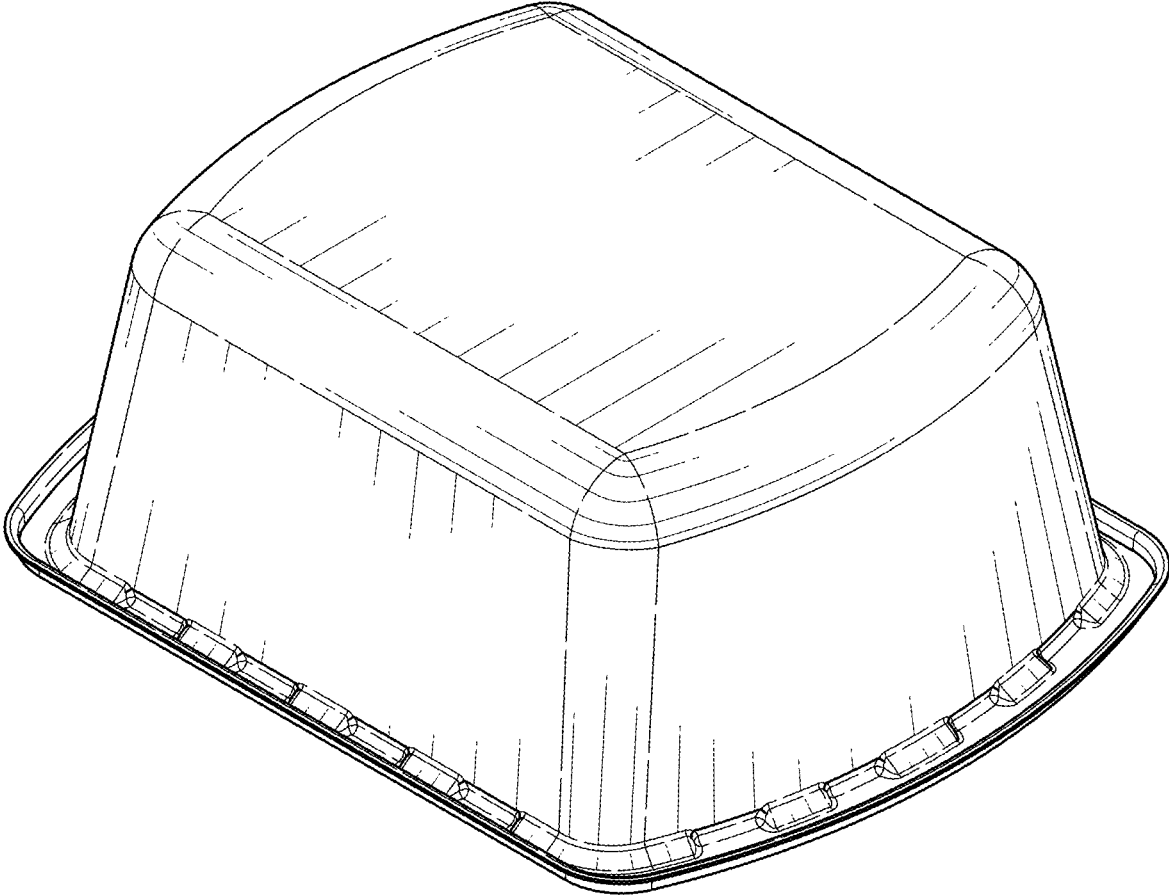


FIG. 2

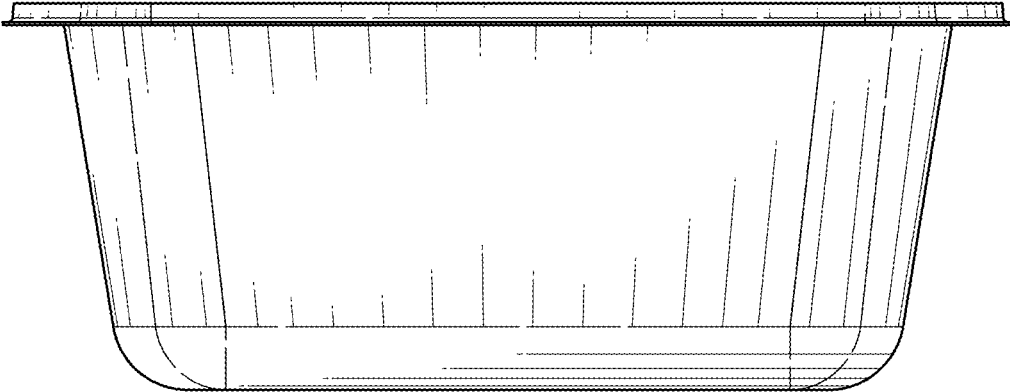


FIG. 3

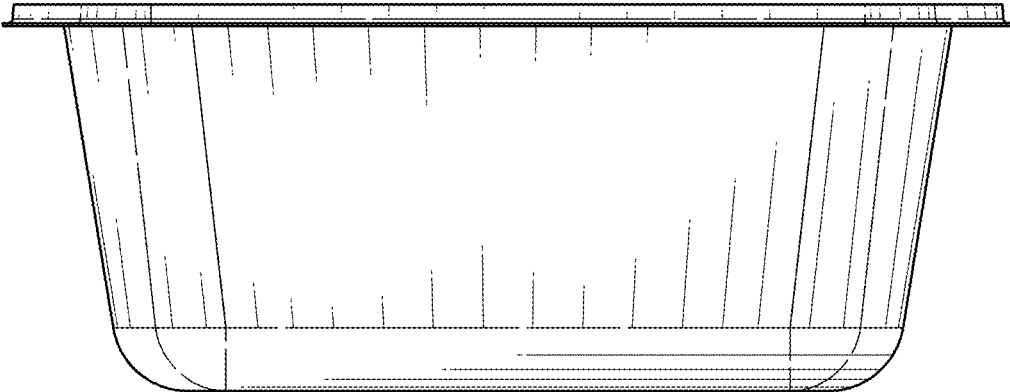


FIG. 4

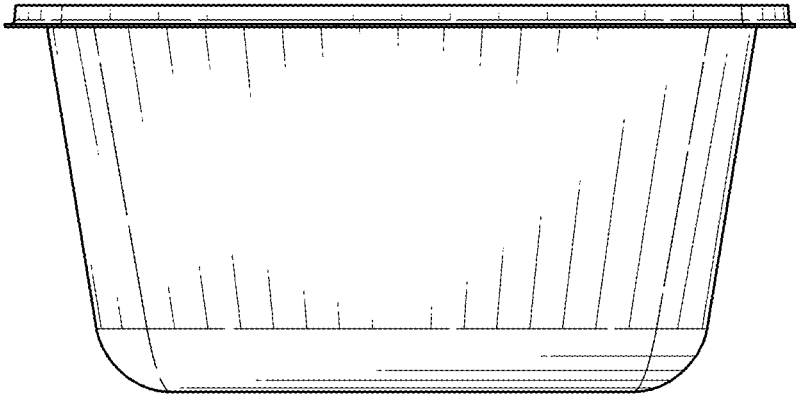


FIG. 5

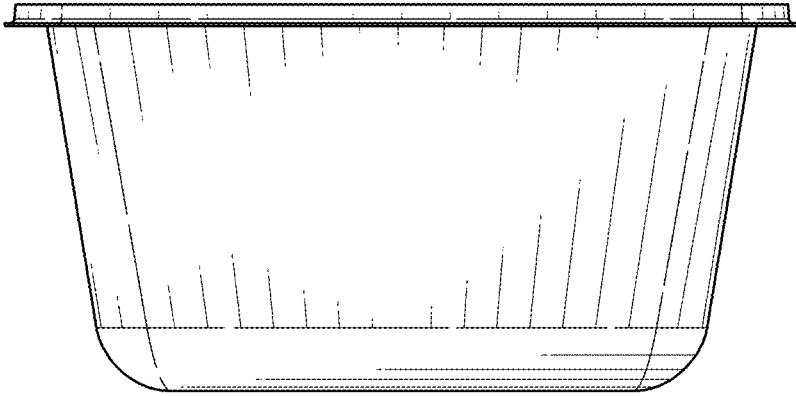


FIG. 6

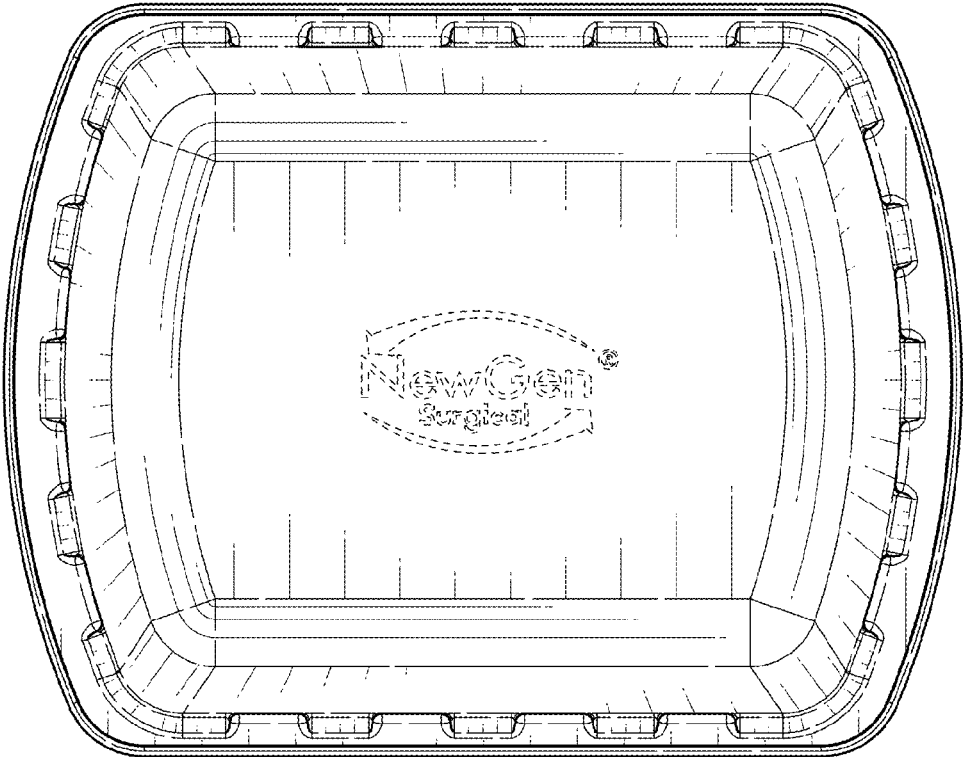


FIG. 7

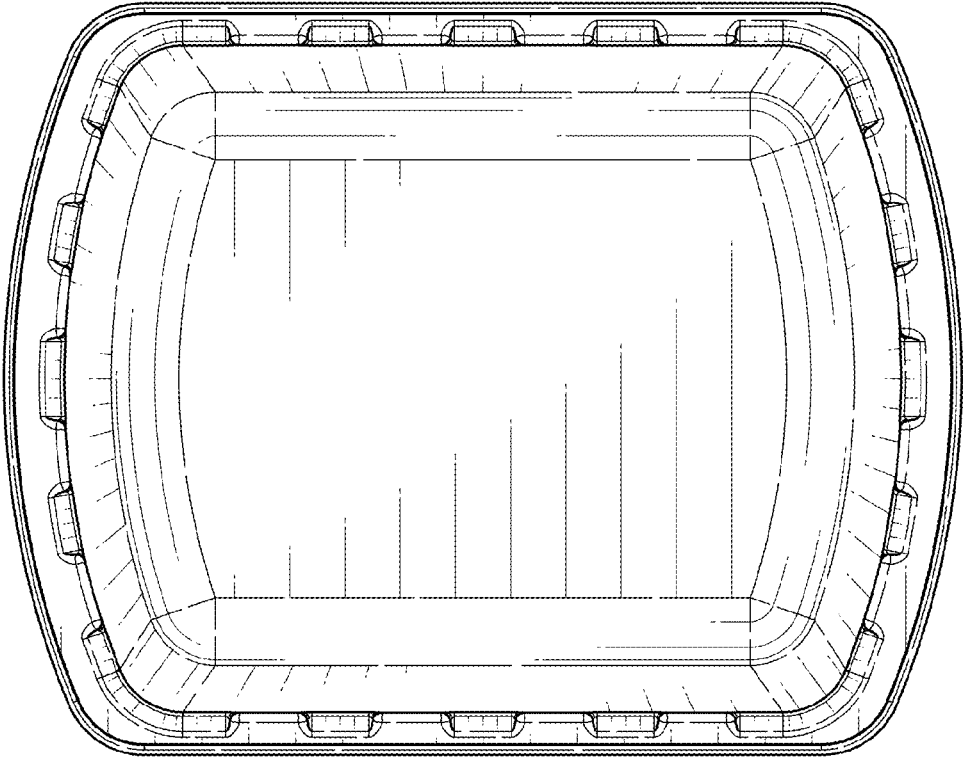


FIG. 8