



US00D585724S

(12) **United States Design Patent**
Wu et al.

(10) **Patent No.:** **US D585,724 S**

(45) **Date of Patent:** **** Feb. 3, 2009**

(54) **RECESSED COMPRESSION LATCH**

(75) Inventors: **Michael Wu**, West Covina, CA (US);
Tam Thanh Le, El Monte, CA (US);
Everardo Hernandez, Los Angeles, CA (US)

(73) Assignee: **S.P.E.P. Acquisition Corp.**, Rancho Dominguez, CA (US)

(**) Term: **14 Years**

(21) Appl. No.: **29/278,748**

(22) Filed: **Apr. 9, 2007**

(51) **LOC (9) Cl.** **08-07**

(52) **U.S. Cl.** **D8/331**

(58) **Field of Classification Search** D8/300,
D8/301, 302, 306, 330, 331, 333, 338, 341,
D8/342, 343; 70/28, 68, 77-79, 84, 91, 94,
70/96, 97, 101, 102, 206, 208, 210; 292/54-66,
292/70, 75, 143, 175, 336.3, DIG. 60
See application file for complete search history.

(56) **References Cited**

U.S. PATENT DOCUMENTS

D324,636 S *	3/1992	Schlack et al.	D8/331
D370,620 S *	6/1996	Ziemer	D8/341
D452,808 S	1/2002	Kyle	
D459,192 S *	6/2002	Weinerman et al.	D8/338
D475,602 S	6/2003	McCloskey	
D489,958 S	5/2004	Jackson et al.	
D489,959 S	5/2004	Jackson et al.	
D506,120 S *	6/2005	Straka et al.	D8/331
D530,181 S *	10/2006	Straka et al.	D8/301
D534,785 S	1/2007	Mlynarczyk et al.	
D536,949 S	2/2007	Weinerman et al.	
D541,129 S	4/2007	Helton et al.	

7,313,937 B2	1/2008	Straka, Jr.	
2005/0183477 A1 *	8/2005	Straka, Jr.	70/208
2005/0183478 A1 *	8/2005	Straka, Jr.	70/208

OTHER PUBLICATIONS

Southco Handbook 2003 Entitled Easy Access to Innovative Solutions, Form No. (NA) HB2003-4/03, Southco M1 Compression Latch, Lift & Turn, Stainless Steel, pp. 22-23, Southco Push to Close Latches, 112-114, Southco M1 Push to Close Small, Stainless Steel (no page number).

* cited by examiner

Primary Examiner—Stella M Reid

Assistant Examiner—Shanda C Hill

(74) *Attorney, Agent, or Firm*—Christie, Parker & Hale, LLP

(57) **CLAIM**

The ornamental design for recessed compression latch, as shown and described.

DESCRIPTION

FIG. 1 is a top, front isometric view of a recessed compression latch showing our new design;

FIG. 2 is a front view thereof;

FIG. 3 is a left side view thereof;

FIG. 4 is a rear view thereof;

FIG. 5 is a right side view thereof;

FIG. 6 is a top view thereof;

FIG. 7 is a top, front isometric view of FIG. 1 shown in an open position; and,

FIG. 8 is a front view thereof.

The broken lines shown in the drawing disclosure are for illustrative purposes only and form no part of the claimed design.

1 Claim, 8 Drawing Sheets

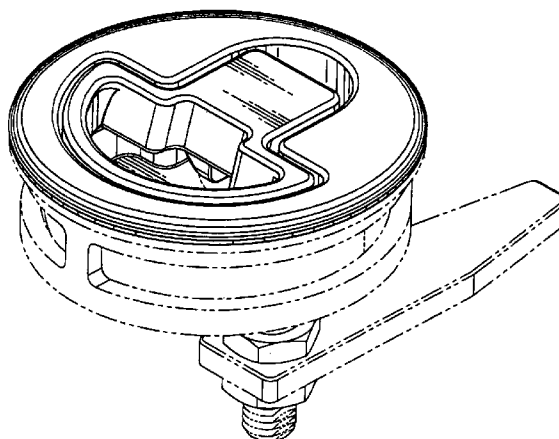
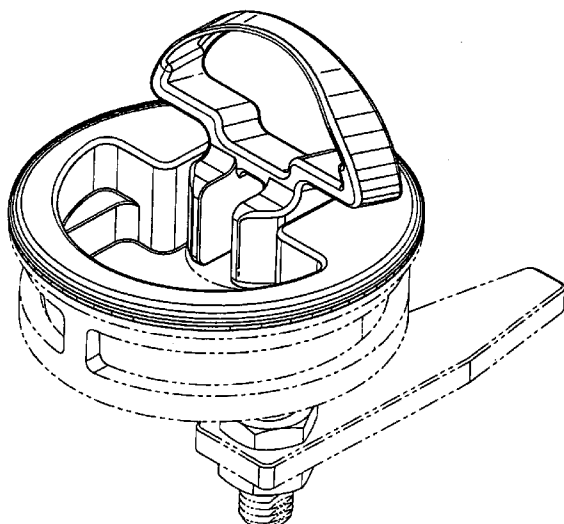


FIG. 1

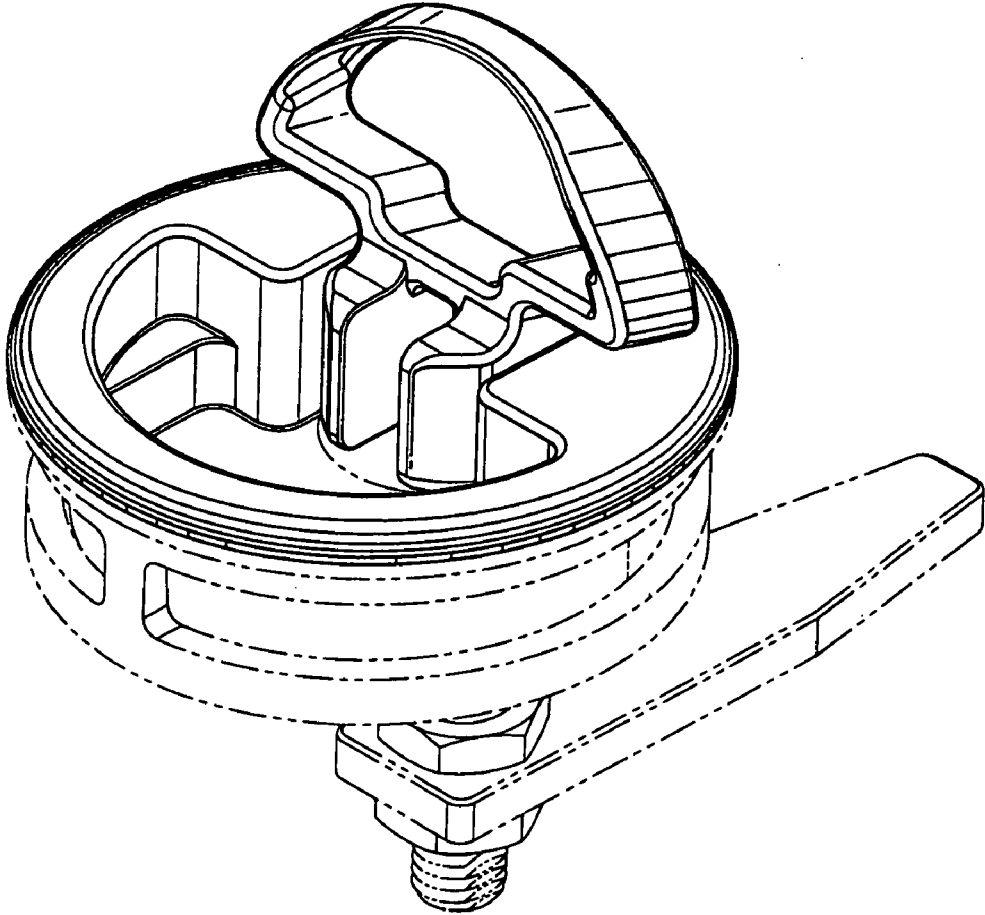


FIG. 2

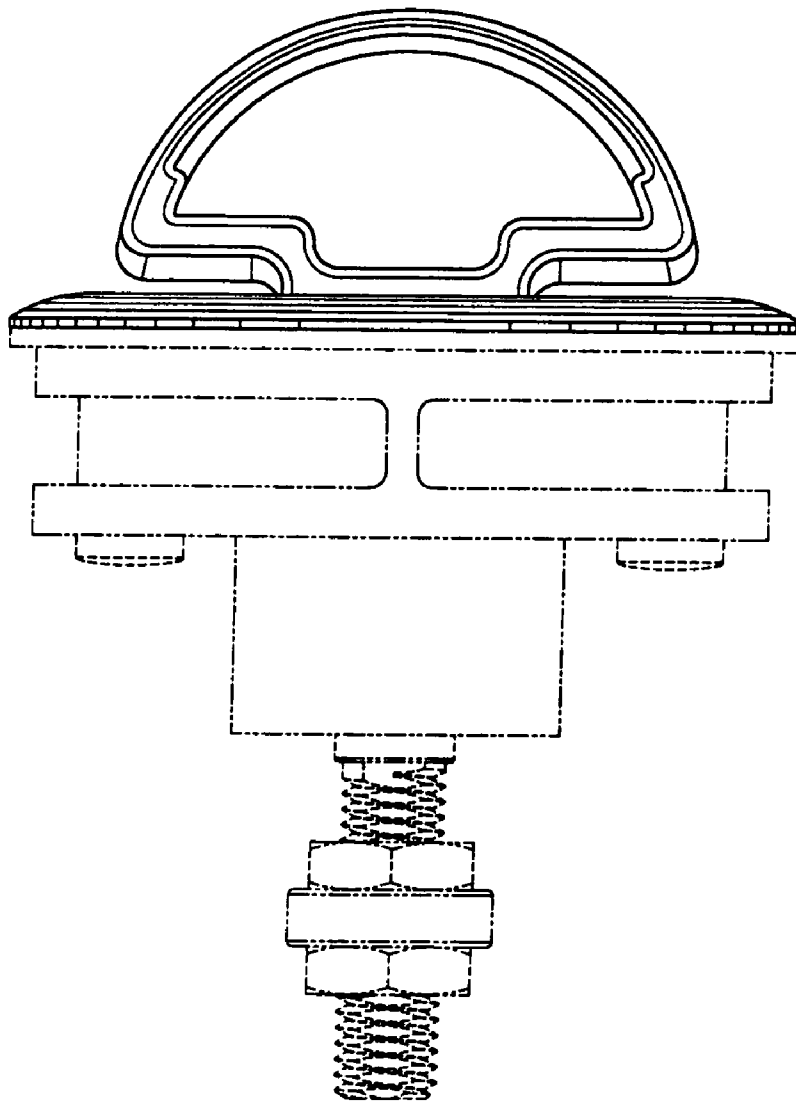


FIG. 3

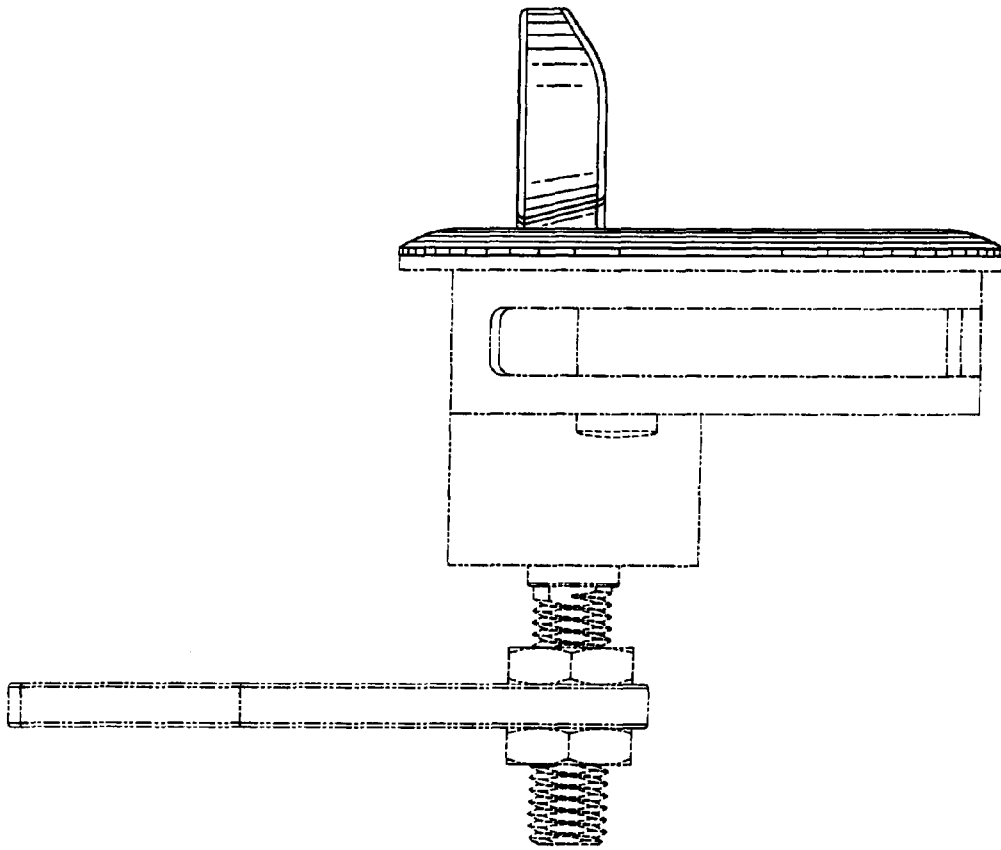


FIG. 4

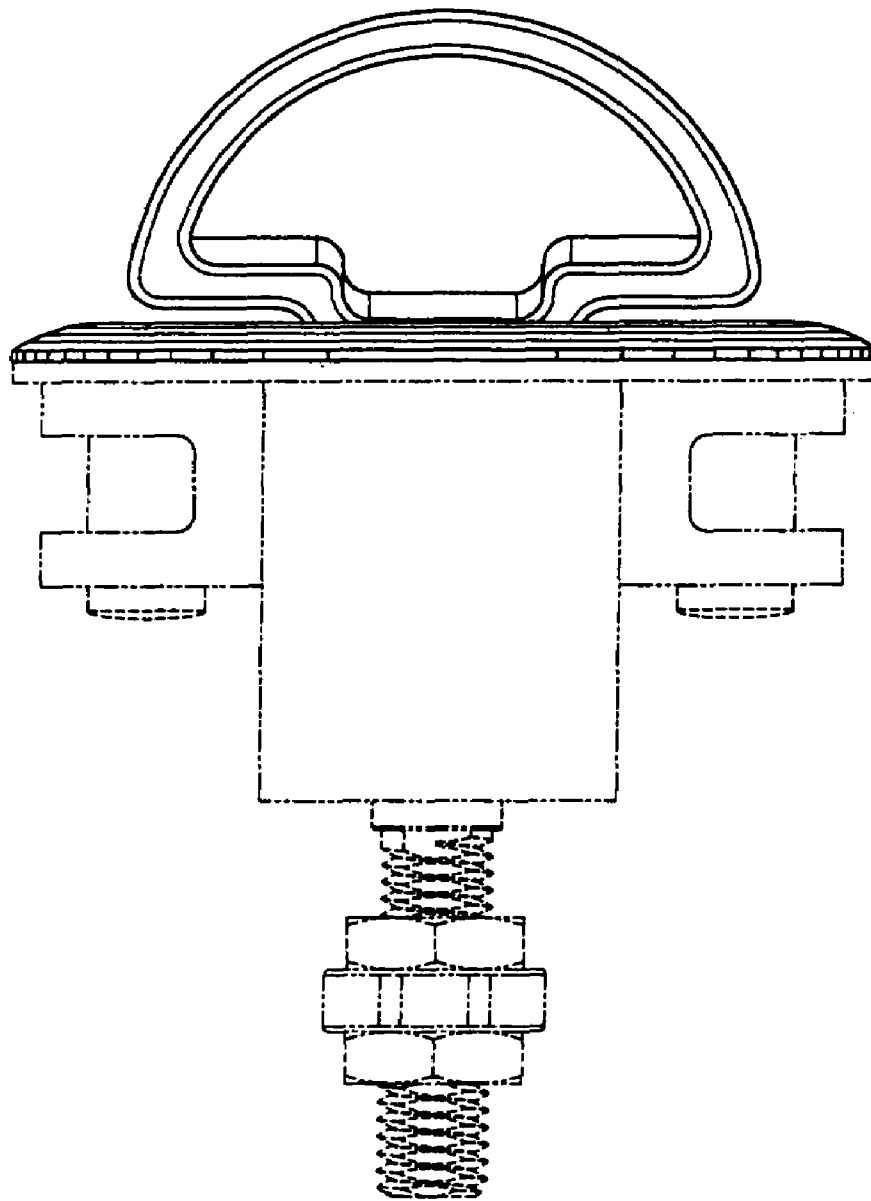


FIG. 5

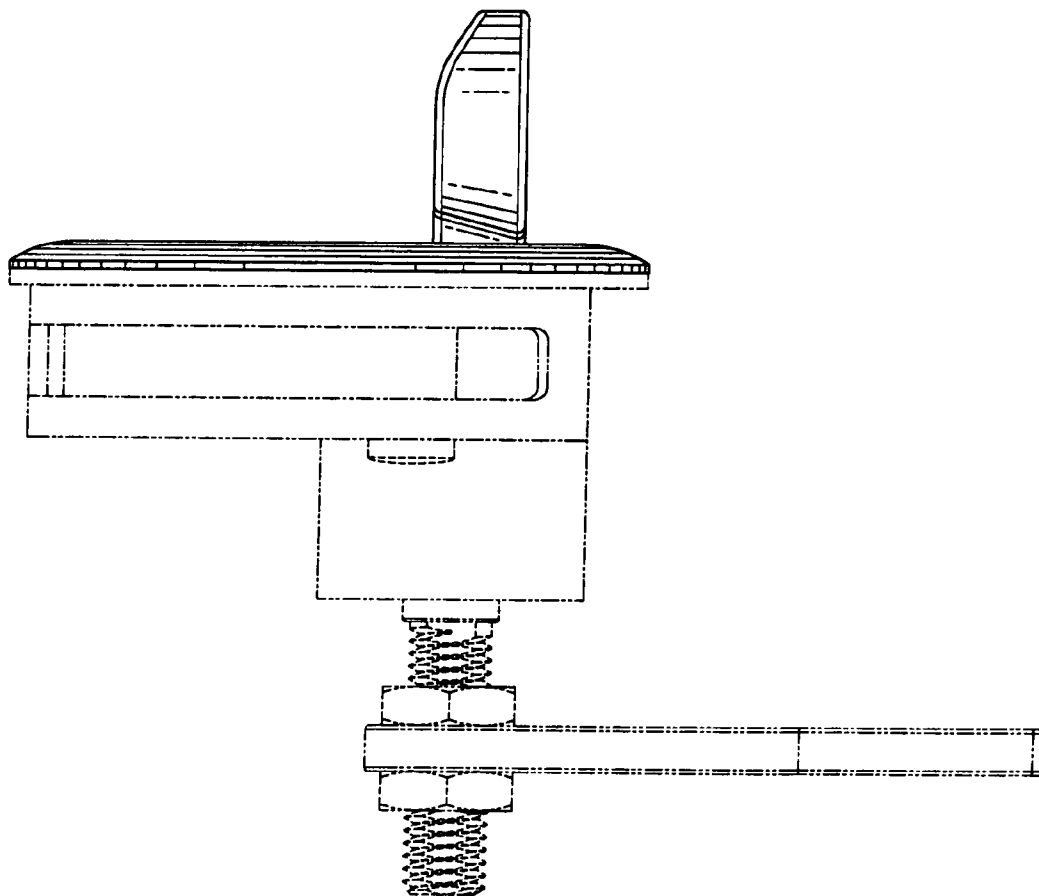


FIG. 6

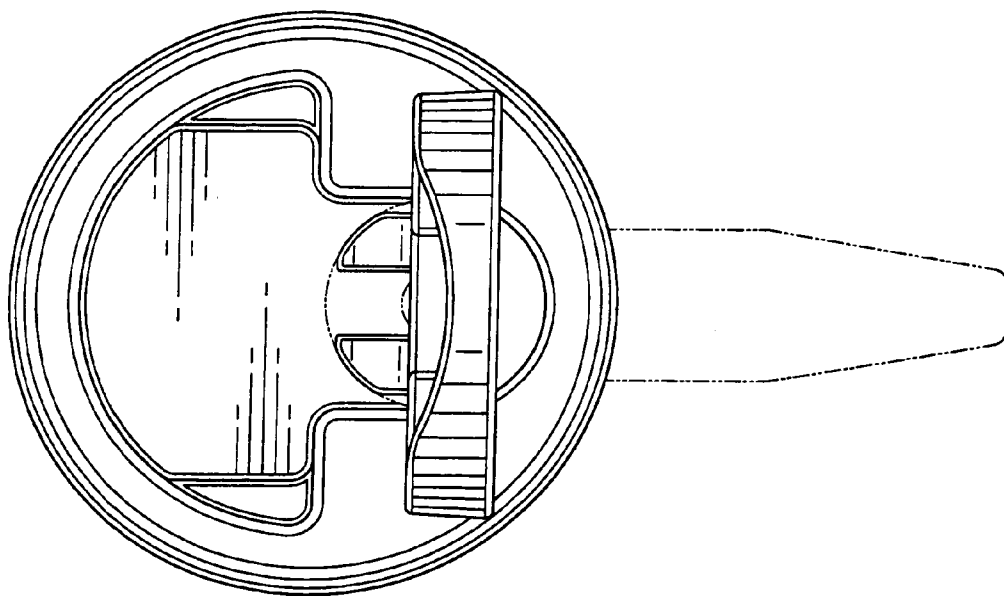


FIG. 7

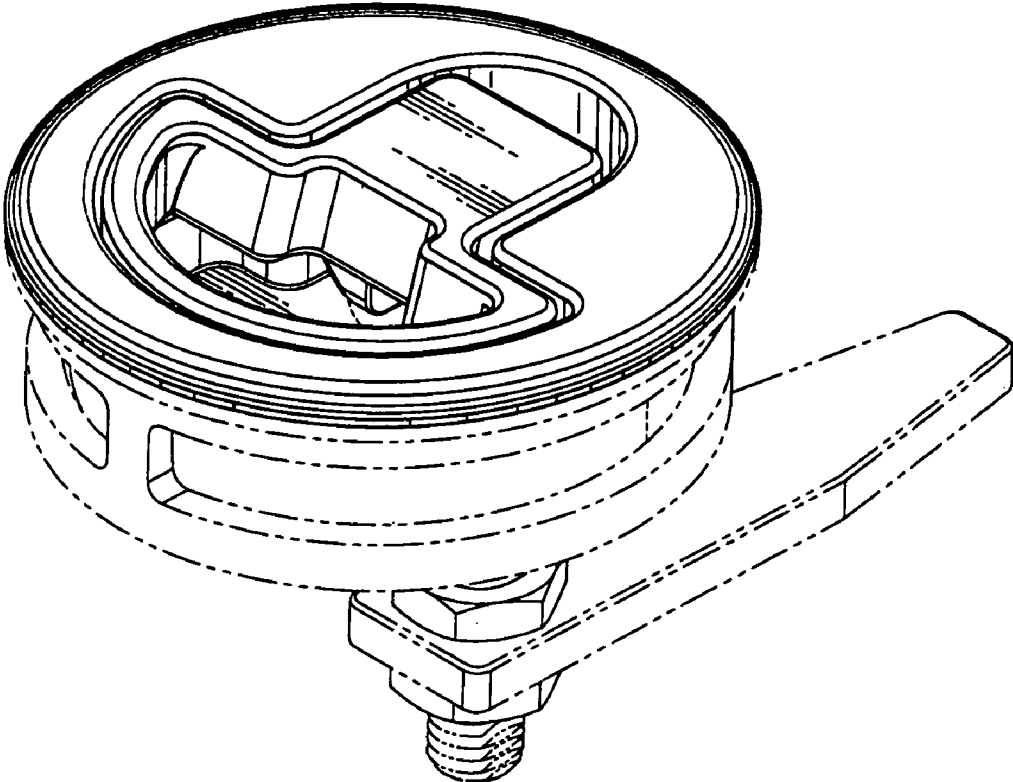


FIG. 8

