



US00D473007S

(12) **United States Design Patent** (10) **Patent No.:** **US D473,007 S**
Herst et al. (45) **Date of Patent:** **** Apr. 8, 2003**

(54) **LIGHTING FIXTURE HOUSING EDGE**

(57) **CLAIM**

(75) Inventors: **Douglas J. Herst**, Ross, CA (US);
Utkan Salman, Oakland, CA (US)

The ornamental design for a lighting fixture housing edge, as shown and described.

(73) Assignee: **Acuity Brands, Inc.**, Atlanta, GA (US)

DESCRIPTION

(**) Term: **14 Years**

FIG. 1 is a broken away bottom perspective view of a lighting fixture housing edge showing our new design; FIG. 2 is a cross-sectional view thereof; FIG. 3 is an enlarged cross-sectional view thereof; FIG. 4 is an enlarged side elevational view thereof; FIG. 5 is an enlarged bottom plan view thereof; FIG. 6 is a broken away bottom perspective view of an alternative embodiment of the lighting fixture housing edge shown in FIGS. 1-5; FIG. 7 is a cross-sectional view thereof; FIG. 8 is an enlarged cross-sectional view thereof; FIG. 9 is an enlarged side elevational view thereof; FIG. 10 is an enlarged bottom plan view thereof; FIG. 11 is a broken away bottom perspective view of another alternative embodiment of the lighting fixture housing edge shown in FIGS. 1-5; FIG. 12 is a cross-sectional view thereof; FIG. 13 is an enlarged cross-sectional view thereof; FIG. 14 is an enlarged side elevational view thereof; FIG. 15 is an enlarged bottom plan view thereof; FIG. 16 is a broken away bottom perspective view of a further alternative embodiment of the lighting fixture housing edge shown in FIGS. 1-5; FIG. 17 is a cross-sectional view thereof; FIG. 18 is an enlarged cross-sectional view thereof; FIG. 19 is an enlarged side elevational view thereof; and, FIG. 20 is an enlarged bottom plan view thereof. FIGS. 1, 4, 5, 6, 9, 10, 11, 14, 15, 16, 19 and 20 are broken away to indicate indeterminate length. The broken lines immediately adjacent the shaded areas represent the bounds of the claim and all other broken lines are for illustrative purposes only. None of the broken lines form part of our claimed design. The top of each embodiment of the lighting fixture housing edge is not visible during normal use and also forms no part of our claimed design.

(21) Appl. No.: **29/152,942**

(22) Filed: **Dec. 24, 2001**

(51) **LOC (7) Cl.** **26-99**

(52) **U.S. Cl.** **D26/113**

(58) **Field of Search** D26/75-77, 118,
D26/138, 113; 362/219, 223, 341, 346,
225, 296, 362, 457

(56) **References Cited**

U.S. PATENT DOCUMENTS

5,051,878 A *	9/1991	Ngai	362/346
5,709,460 A *	1/1998	Lester	362/225
6,152,573 A *	11/2000	Mitchell	362/217
6,193,394 B1 *	2/2001	Herst et al.	362/225
6,273,592 B1 *	8/2001	Herst et al.	362/342

OTHER PUBLICATIONS

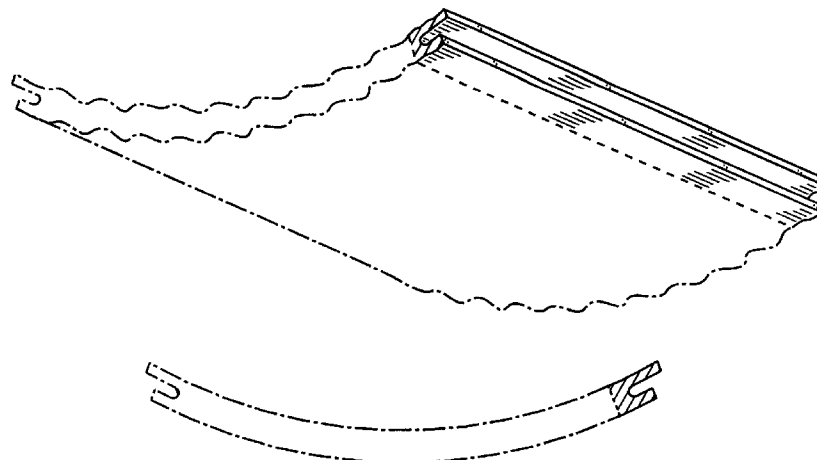
- Peerless Lighting Corporation, "Envision", catalog, 1994.
- Peerless Lighting Corporation, "6x2", catalog, 1997.
- Peerless Lighting Corporation, "9x3", catalog, 1995.
- Peerless Lighting Corporation, "6x3", catalog, 1996.
- Peerless Lighting Corporation, "Lightfoil 9", catalog, 1997.
- Peerless Lighting Corporation, "Envision", catalog, 1995.

* cited by examiner

Primary Examiner—Jennifer Rivard

(74) *Attorney, Agent, or Firm*—Donald L. Beeson

1 Claim, 4 Drawing Sheets



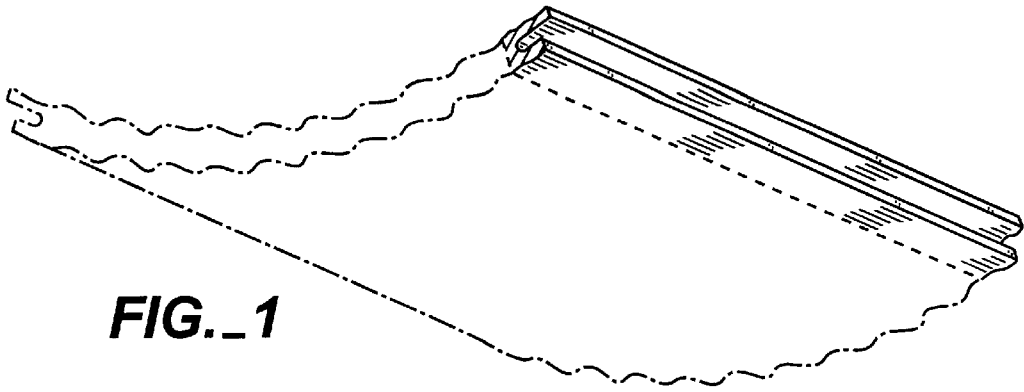


FIG._1

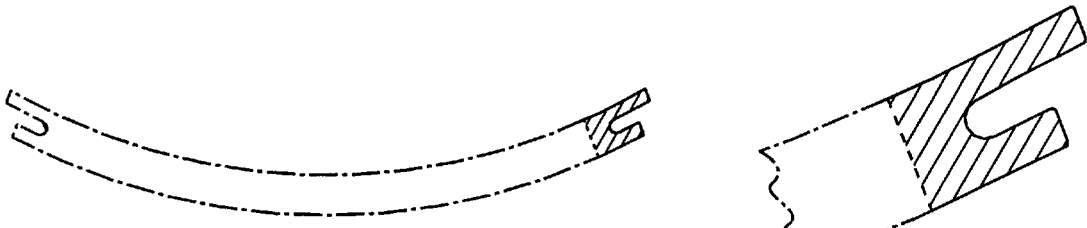


FIG._2

FIG._3

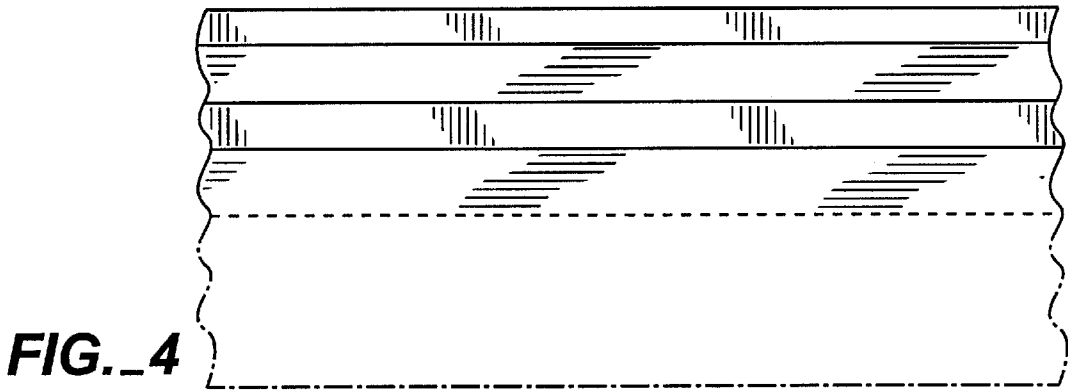


FIG._4

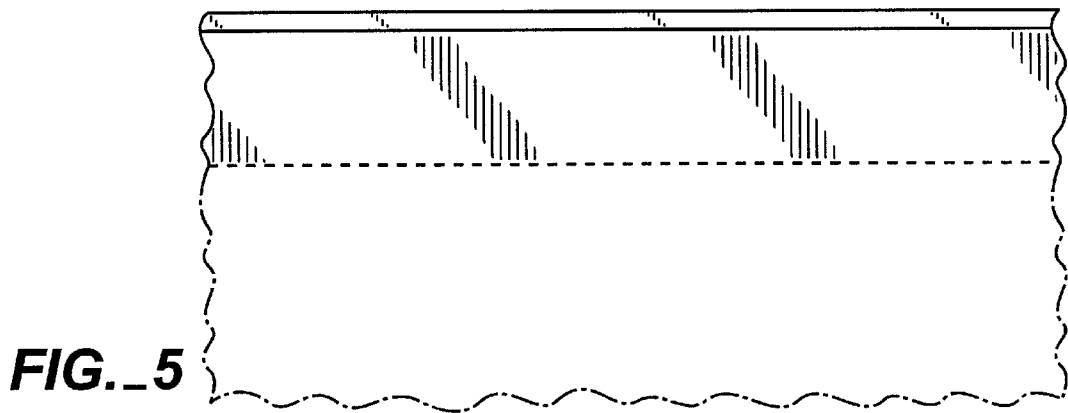


FIG._5

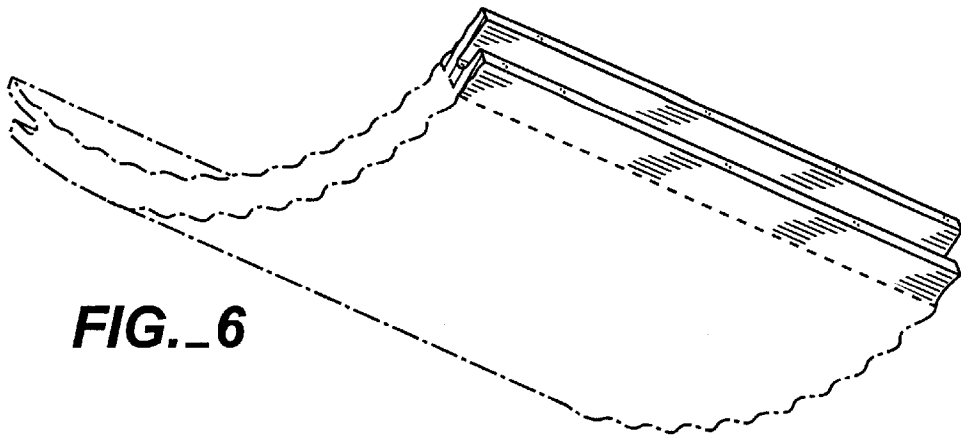


FIG._6



FIG._7

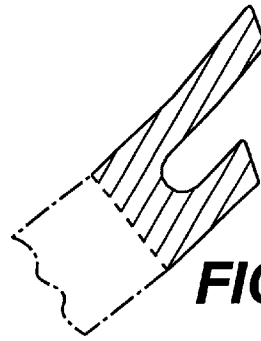


FIG._8

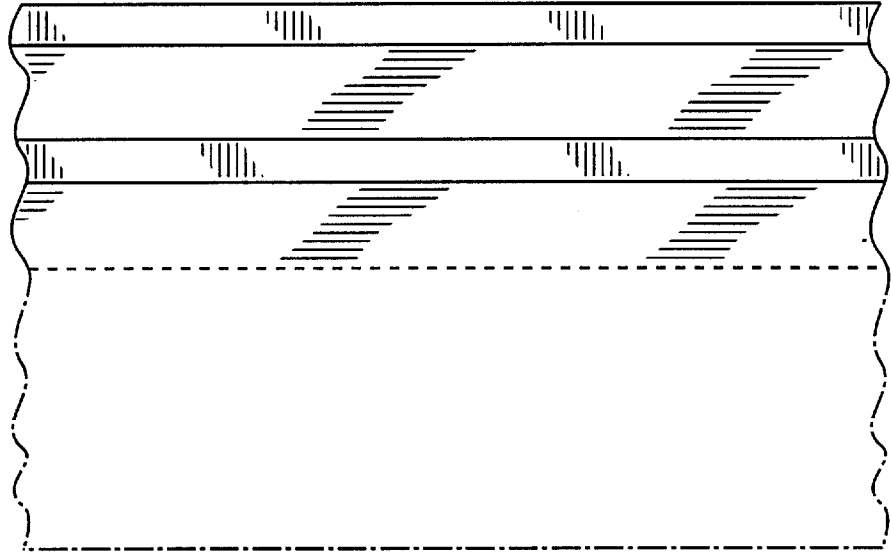


FIG._9

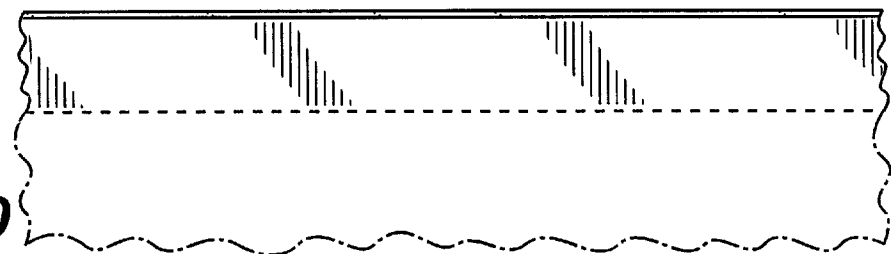


FIG._10

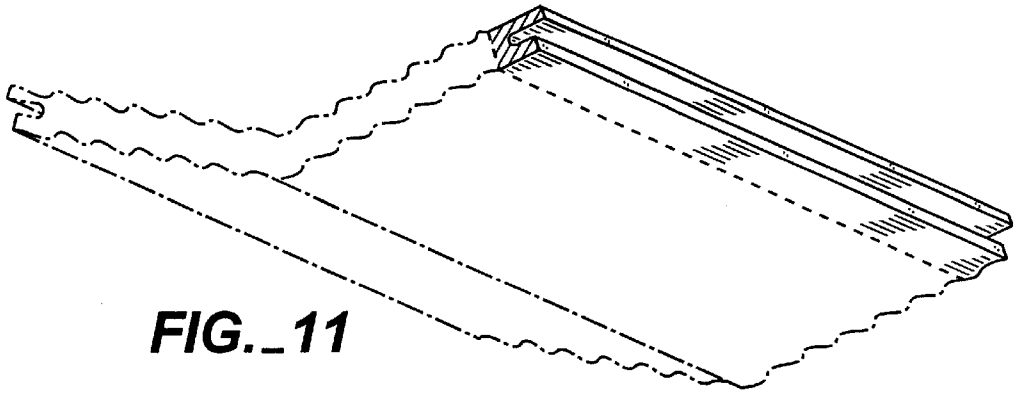


FIG. 11

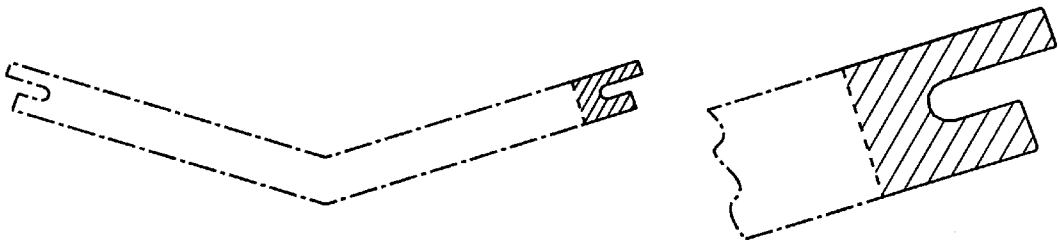


FIG. 12

FIG. 13

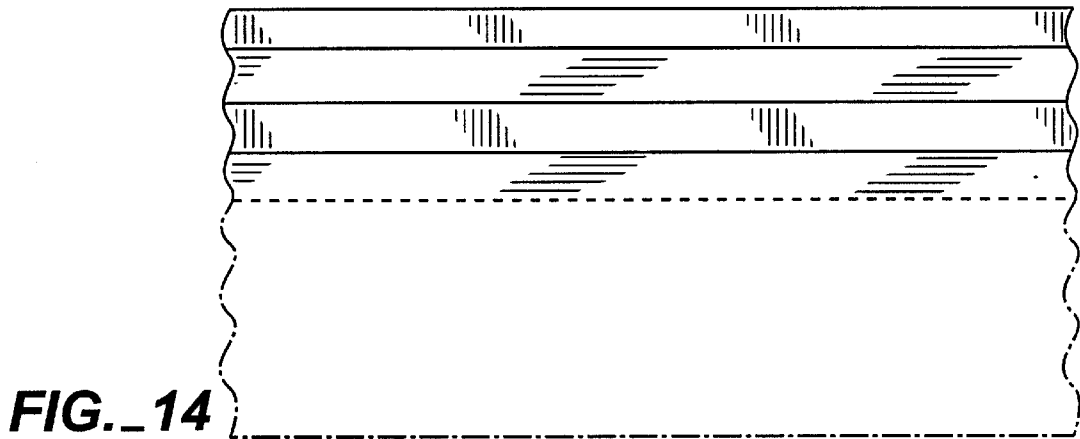


FIG. 14

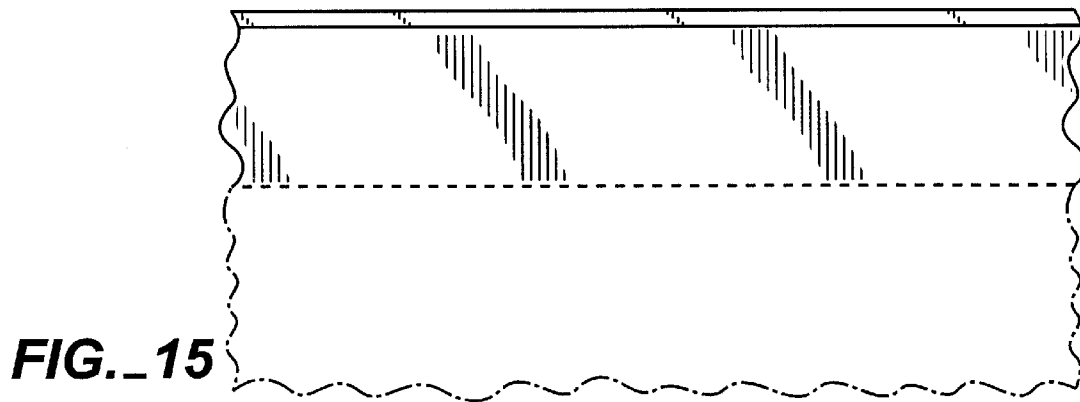


FIG. 15

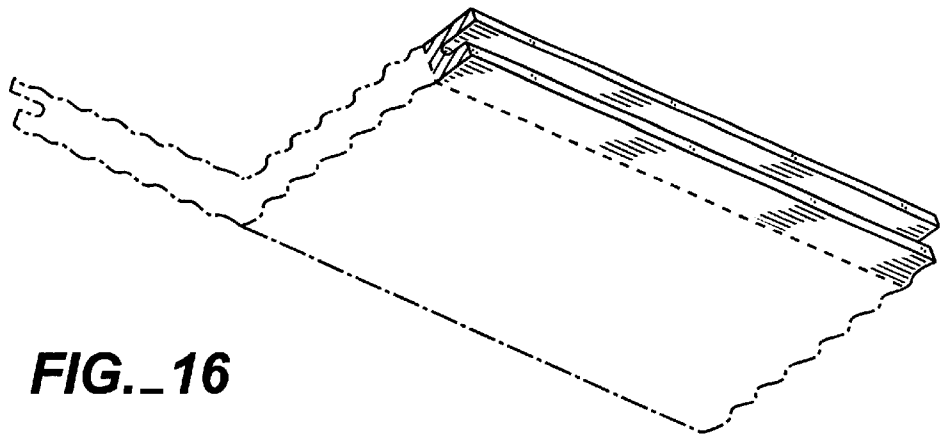


FIG._16

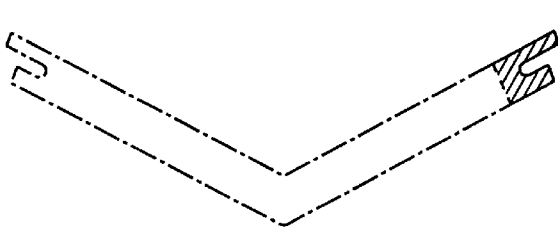


FIG._17

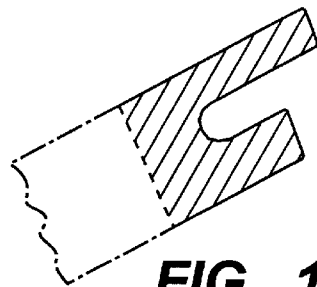


FIG._18

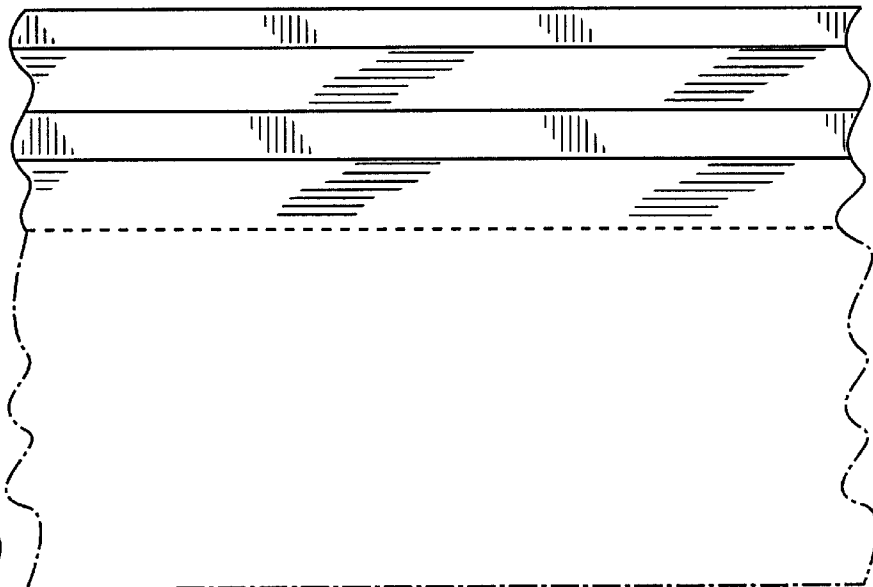


FIG._19

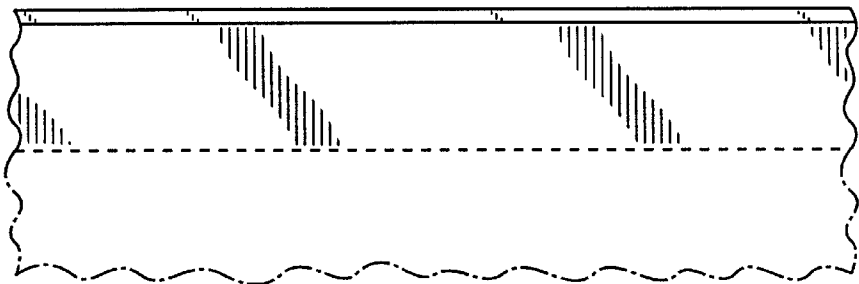


FIG._20